



US00D830781S

(12) **United States Design Patent** (10) **Patent No.:** **US D830,781 S**
Kuo (45) **Date of Patent:** **** Oct. 16, 2018**

(54) **PANTRY RACK WITH CONCAVE FRAMES AND RIDGED FASTENERS**

2003/0213759 A1* 11/2003 Compagnucci A47J 47/16
211/41.11

* cited by examiner

(71) Applicant: **EP Family Corp.**, Walnut, CA (US)

Primary Examiner — Terry A Wallace

(72) Inventor: **Hung-Chih Kuo**, Walnut, CA (US)

(74) *Attorney, Agent, or Firm* — Tommy SF Wang; Wang IP Law Group

(**) Term: **15 Years**

(57) **CLAIM**

(21) Appl. No.: **29/586,428**

The ornamental design for a pantry rack with concave frames and ridged fasteners, as shown and described.

(22) Filed: **Dec. 2, 2016**

DESCRIPTION

(51) **LOC (11) Cl.** **07-06**

(52) **U.S. Cl.**

USPC **D7/601**

(58) **Field of Classification Search**

USPC D7/601, 402, 409, 704; D3/304, 314;
D6/512, 513, 552, 553, 566, 567, 675.3,
D6/675.5, 676.5, 677.5, 678.4, 680.3,
D6/683.1; D19/90

CPC A47B 47/0091; A47F 1/121; A47F 5/0018;
A47F 5/13; A47F 7/28; A47J 47/16;
A47L 19/04

See application file for complete search history.

FIG. 1 is a perspective view of a pantry rack with concave frames and ridged fasteners showing my new design;

FIG. 2 is a front view thereof;

FIG. 3 is a left side view thereof;

FIG. 4 is a top view thereof;

FIG. 5 is a bottom view thereof;

FIG. 6 is a top perspective view thereof with only one frame;

FIG. 7 is a left side perspective view thereof with the only one frame; and,

FIG. 8 is a bottom perspective view thereof with the only one frame.

A rear view is omitted as it is identical to the front view shown in FIG. 2.

A right side view is omitted as it is identical to the left side view shown FIG. 3.

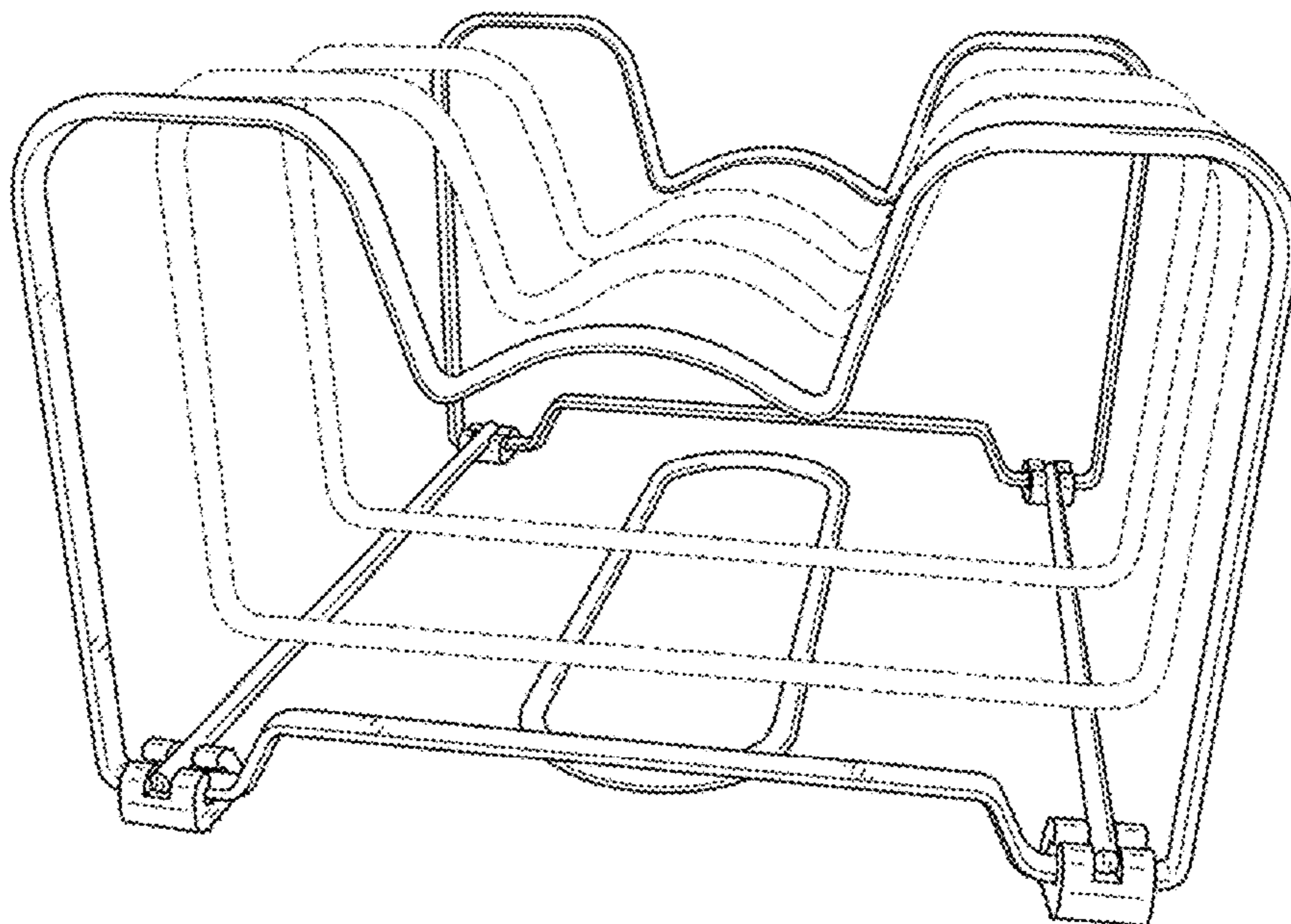
The broken line portions of the pantry rack with concave frames and ridged fasteners in FIGS. 1 and 3-5 represent unclaimed portions of the claimed design and form no part thereof. The broken lines showing additional frame in FIGS. 6-8 are for illustrative purposes only and form no part of the claimed design.

(56) **References Cited**

U.S. PATENT DOCUMENTS

- 2,892,548 A * 6/1959 Huff A47B 81/067
211/195
- D189,356 S * 11/1960 Kolkey D6/678.4
- D297,489 S * 9/1988 Chap D6/675.5
- D329,954 S * 10/1992 Sharon D6/675.5
- D588,378 S * 3/2009 Goodman D7/704
- D628,856 S * 12/2010 Wang D7/601
- D709,719 S * 7/2014 Hsu D6/683.1
- D736,566 S * 8/2015 Tsai D7/601

1 Claim, 7 Drawing Sheets



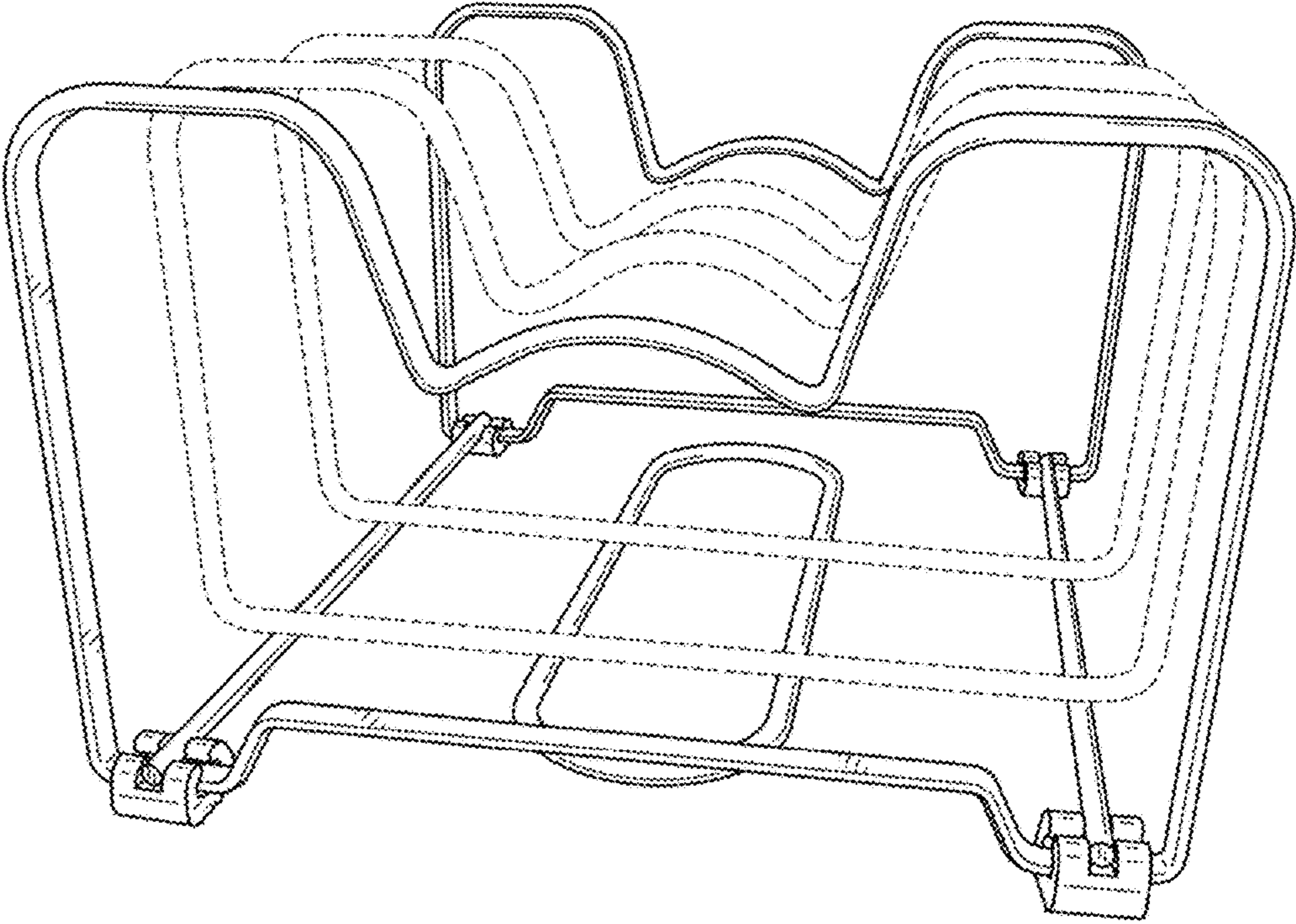


FIG. 1

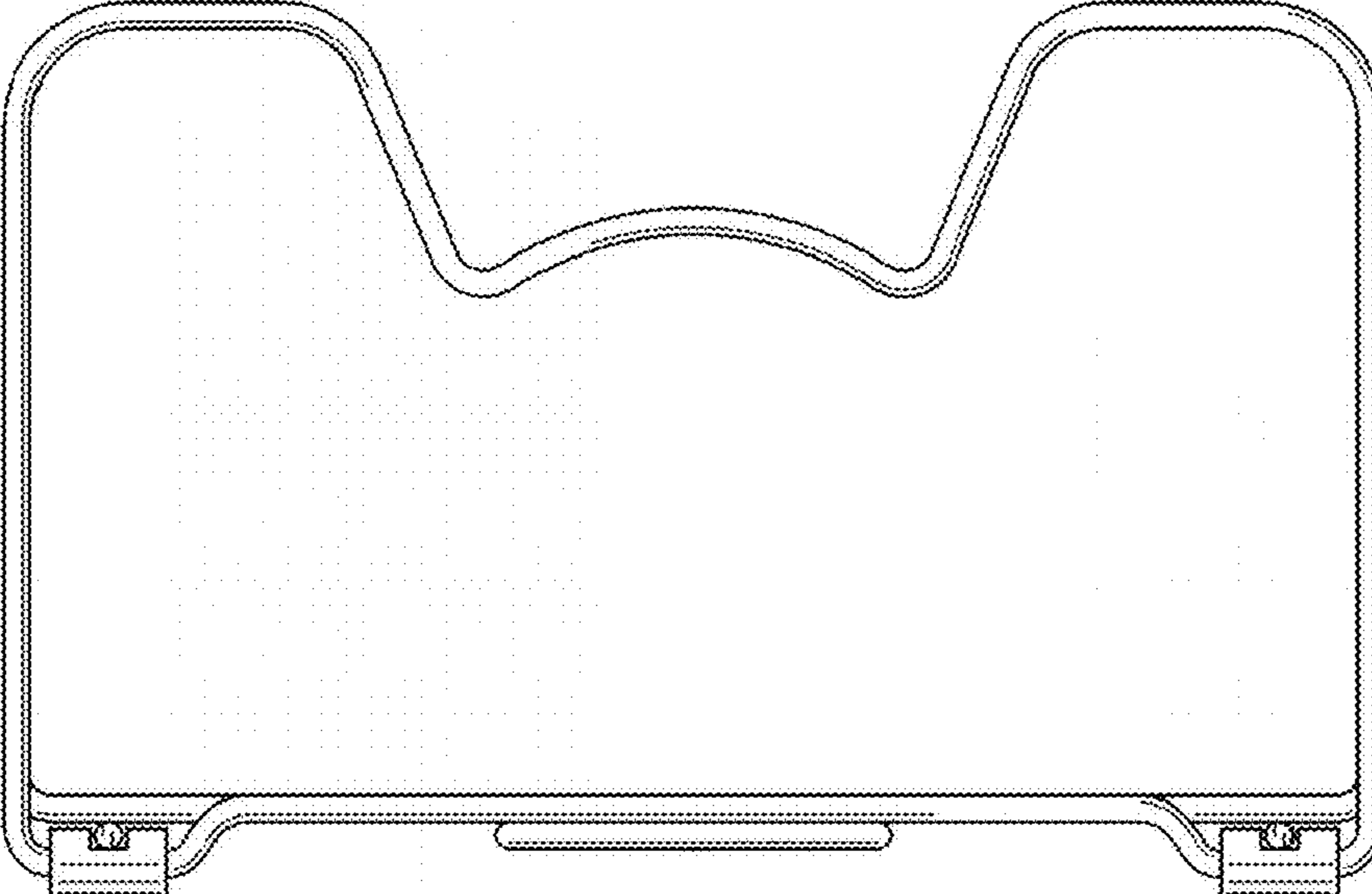


FIG. 2

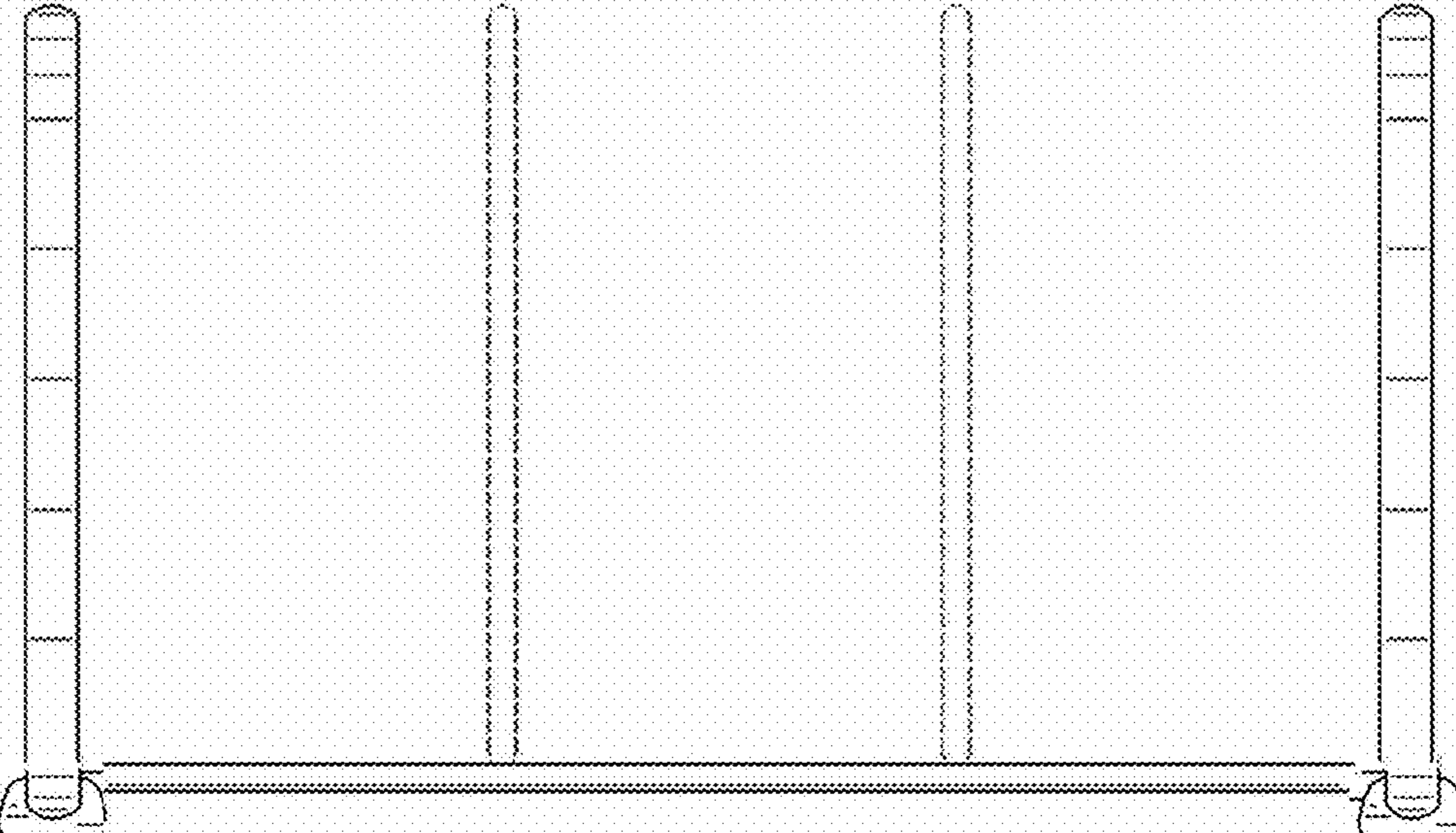


FIG. 3

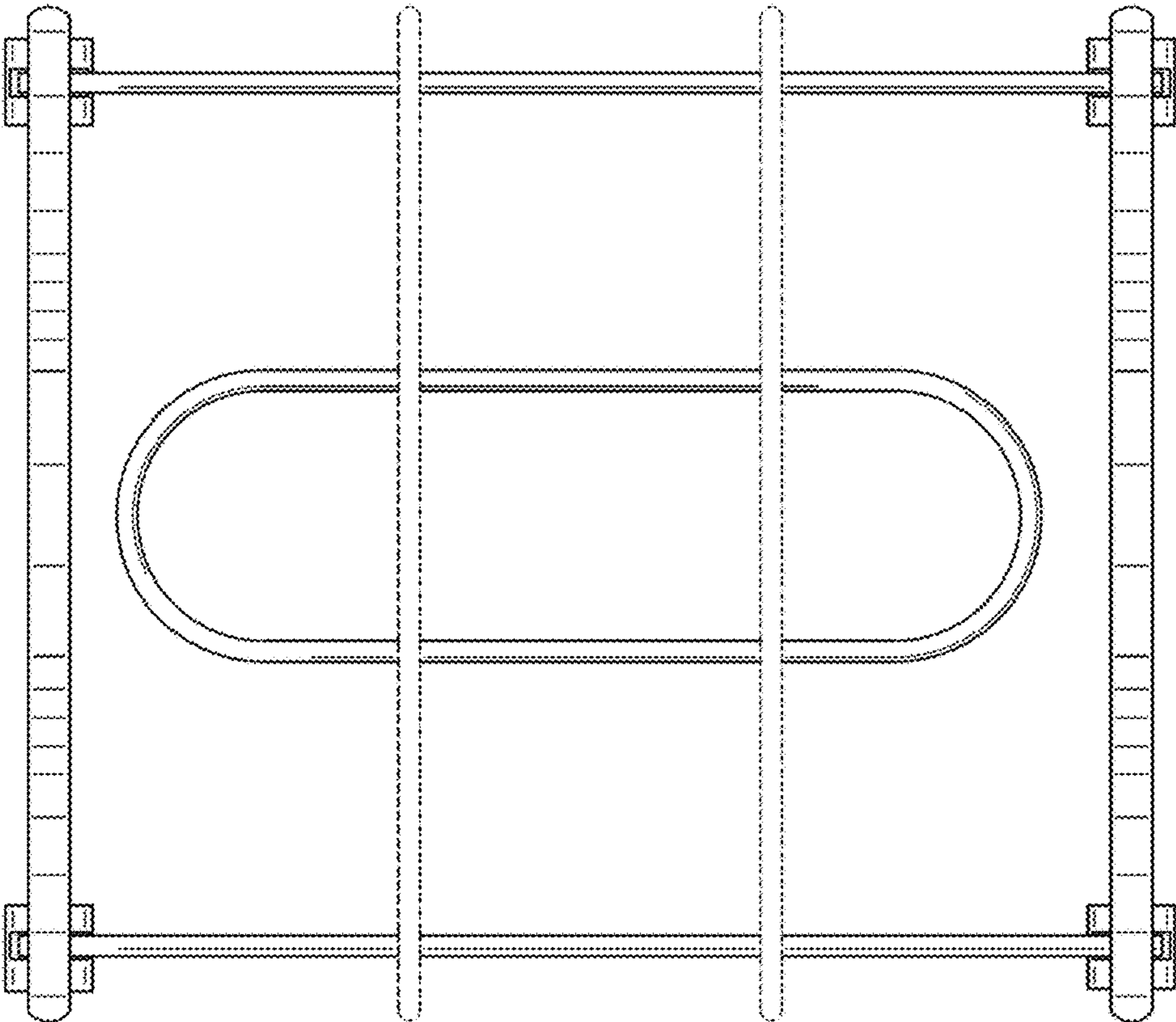


FIG. 4

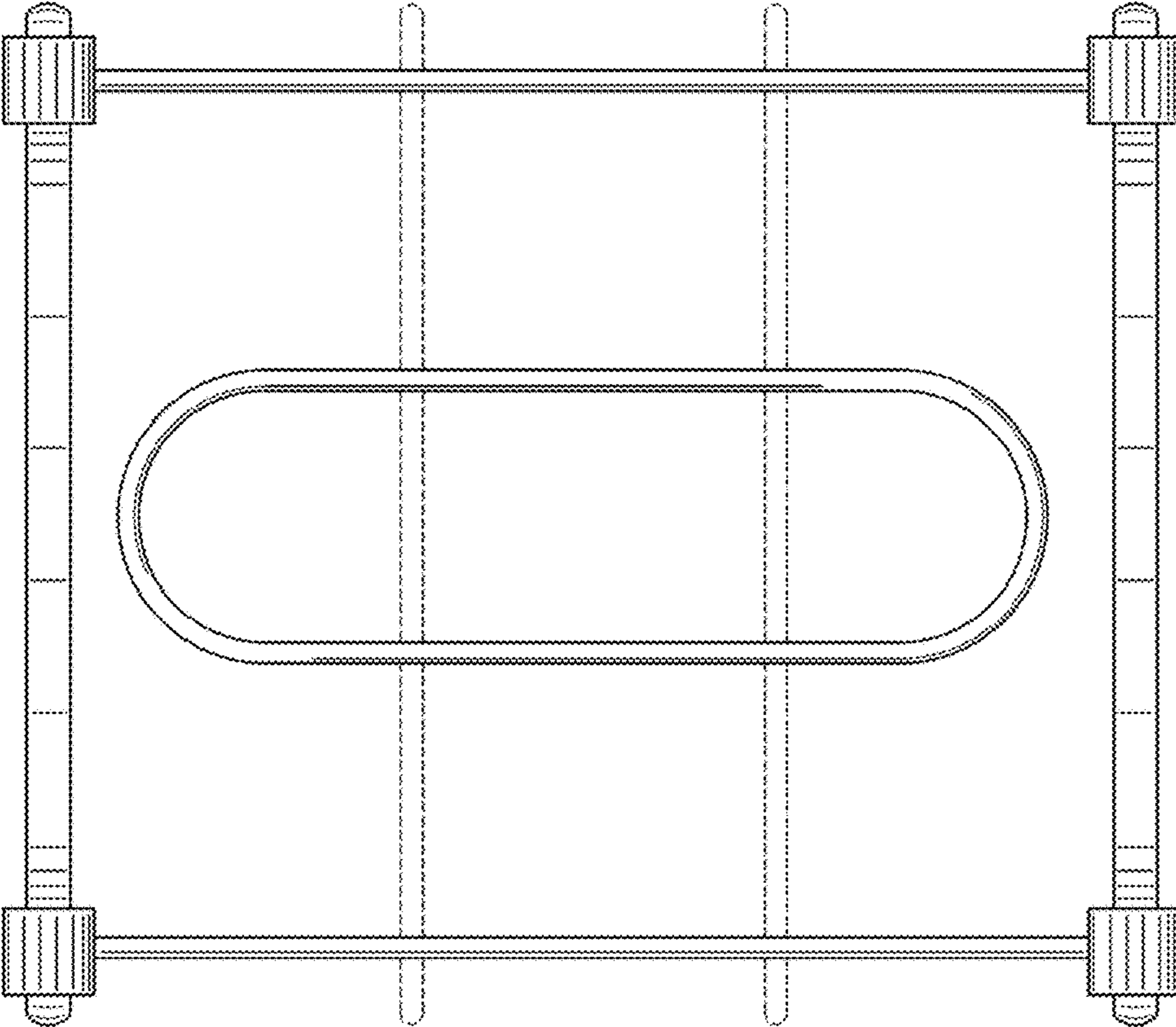


FIG. 5

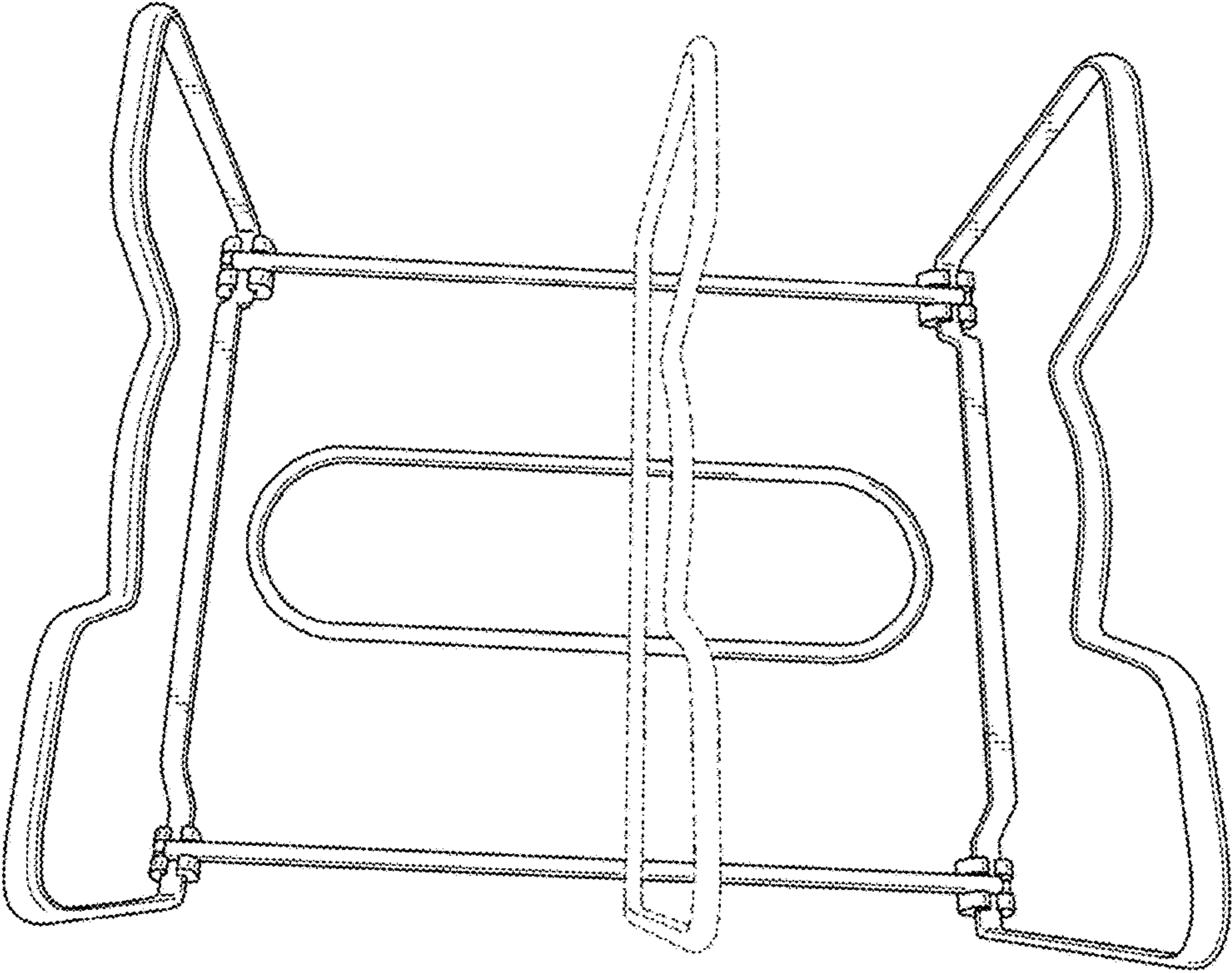


FIG. 6

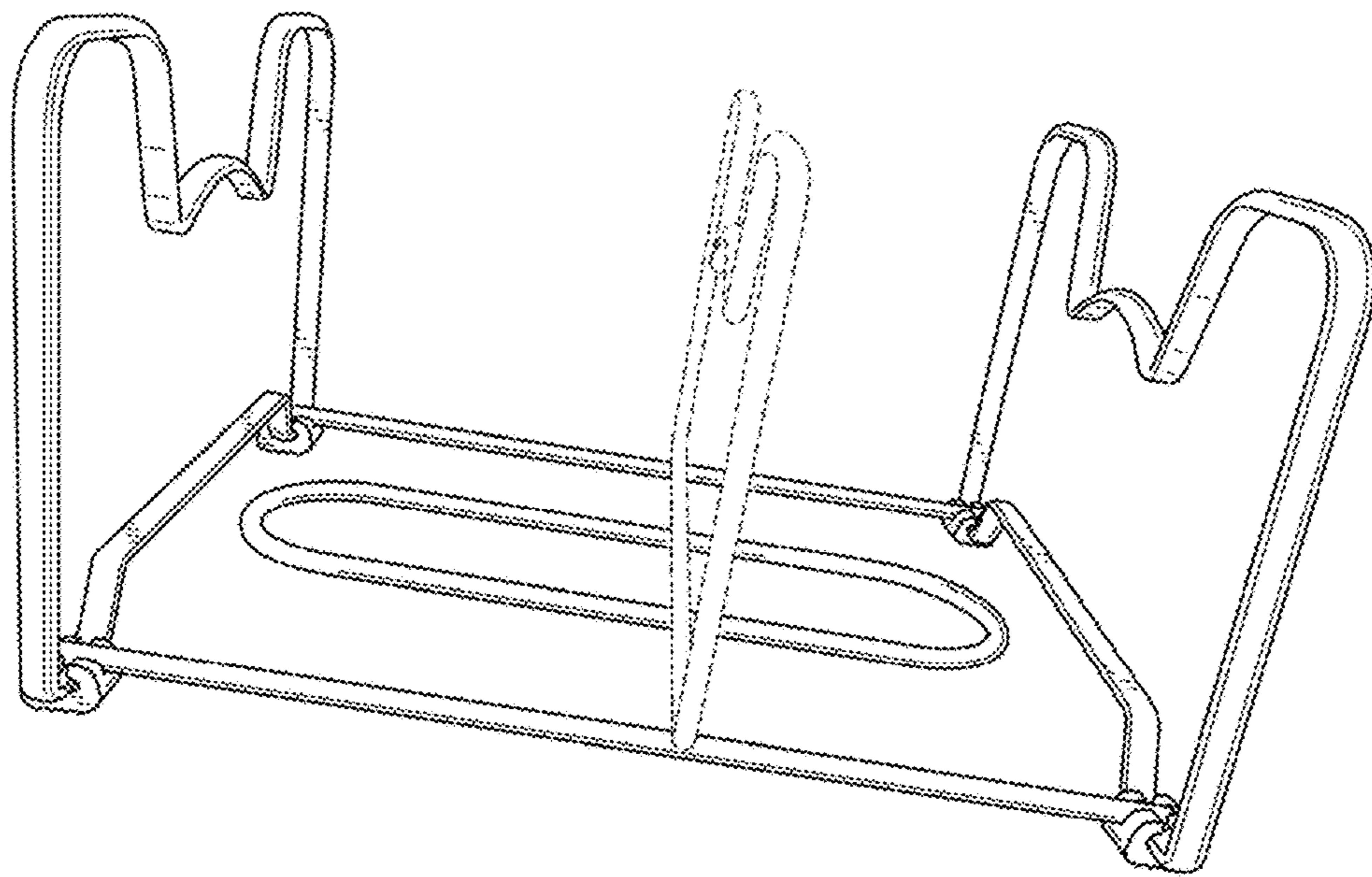


FIG. 7

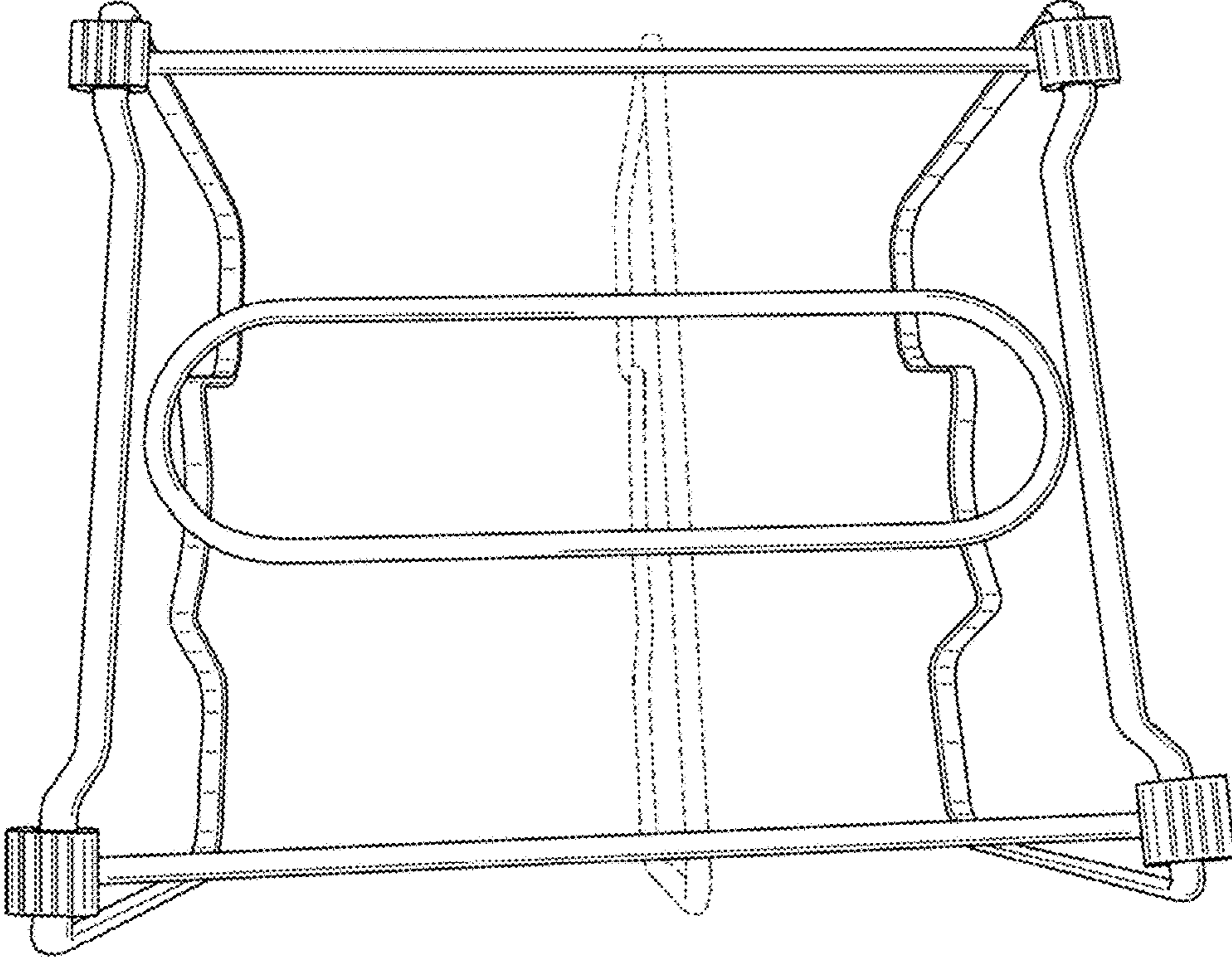


FIG. 8