



US00D830780S

(12) **United States Design Patent**
Keen et al.

(10) **Patent No.:** **US D830,780 S**
(45) **Date of Patent:** **** Oct. 16, 2018**

(54) **CAKE CONSTRUCTION TOOL**

(71) Applicants: **Adrienne Keen**, Louisville, KY (US);
Lukus Holt Guhy, Louisville, KY (US); **Drew Edward Miller**,
Independence, KY (US); **Greg Hickerson**, Louisville, KY (US);
Nicholas David Courtwright, Louisville, KY (US); **David A. Ward**,
Lexington, KY (US)

(72) Inventors: **Adrienne Keen**, Louisville, KY (US);
Lukus Holt Guhy, Louisville, KY (US); **Drew Edward Miller**,
Independence, KY (US); **Greg Hickerson**, Louisville, KY (US);
Nicholas David Courtwright, Louisville, KY (US); **David A. Ward**,
Lexington, KY (US)

(**) Term: **15 Years**

(21) Appl. No.: **29/579,048**

(22) Filed: **Sep. 27, 2016**

(51) **LOC (11) Cl.** **07-01**

(52) **U.S. Cl.**
USPC **D7/549**

(58) **Field of Classification Search**
USPC ... 33/1 F, 1 AP, 1 BB, 501, 524, 525, 561.1,
33/561.2, 561.3; 99/428, 432, 433;
D7/549, 610, 213
CPC G01B 21/10
See application file for complete search history.

(56) **References Cited**

U.S. PATENT DOCUMENTS

- 1,797,070 A * 3/1931 Brown A21C 14/00
30/114
- 2,101,478 A * 12/1937 Reich B43L 13/20
33/194
- 2,614,328 A * 10/1952 Urshan A47G 19/022
30/114

(Continued)

Primary Examiner — Cynthia R Underwood

(74) *Attorney, Agent, or Firm* — Middleton Reutlinger

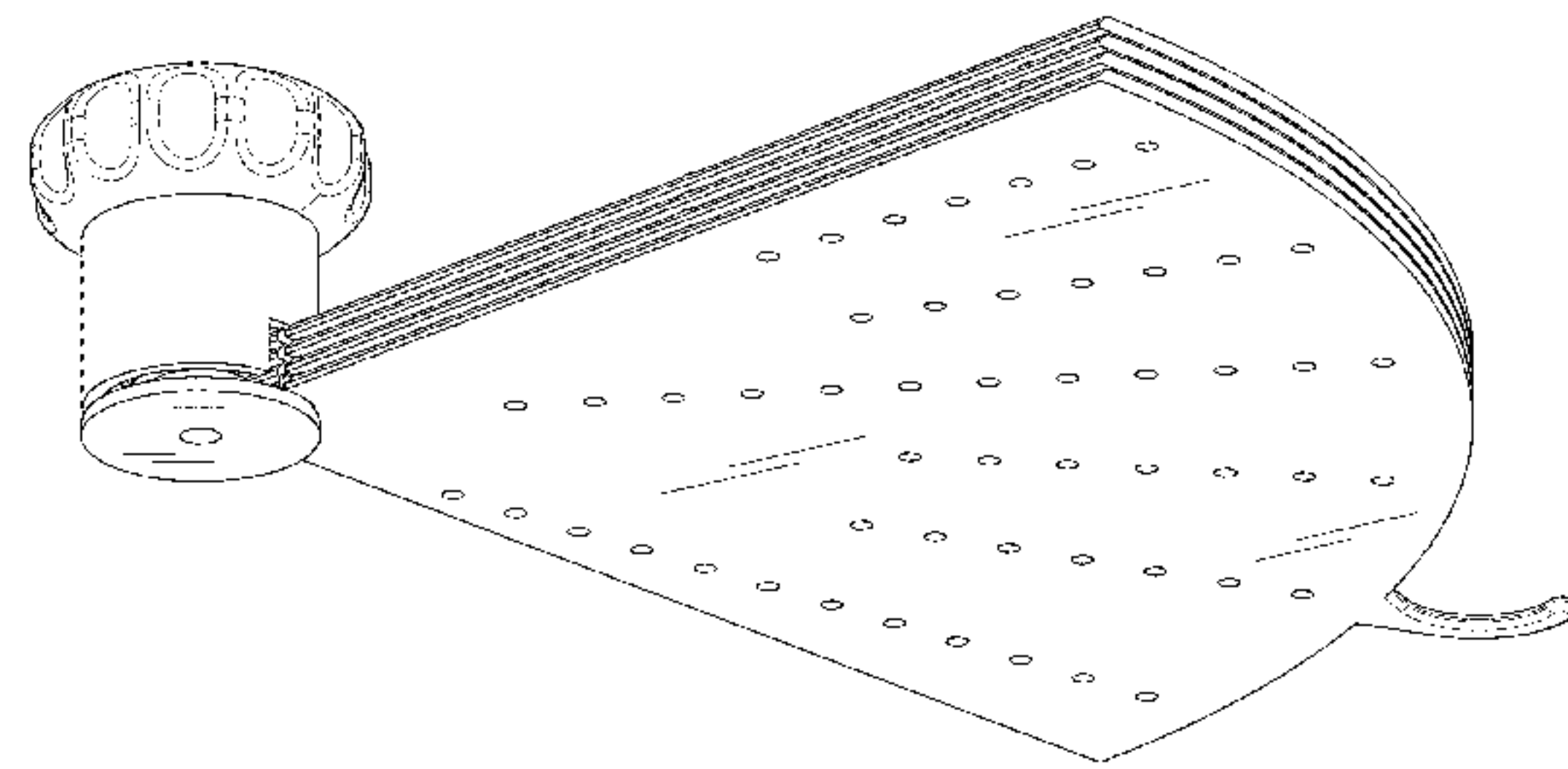
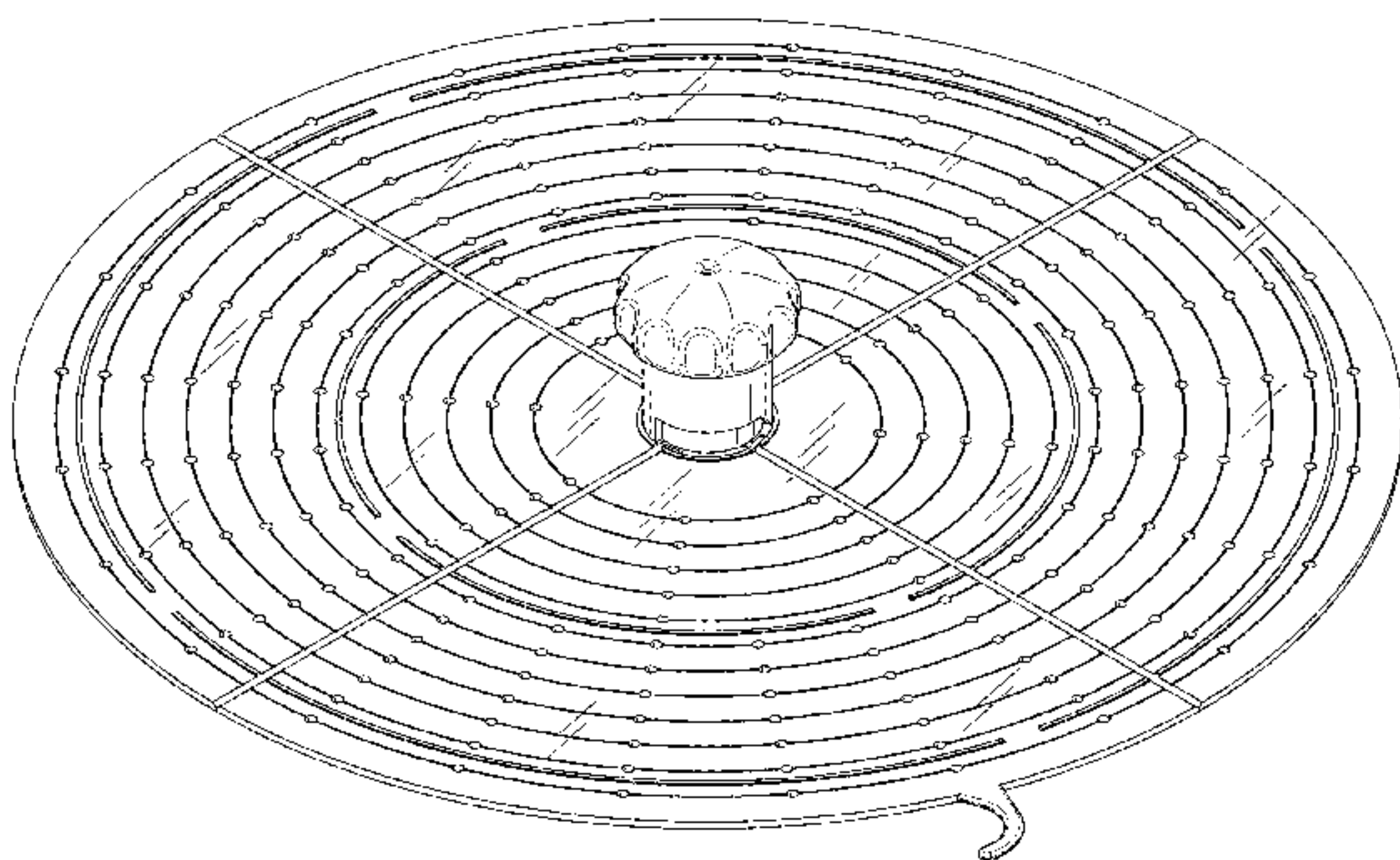
(57) **CLAIM**

The ornamental design for a cake construction tool, as shown and described.

DESCRIPTION

FIG. 1 is a top front perspective view of a cake construction tool in a fully open configuration showing my design;
 FIG. 2 is a bottom rear perspective view thereof;
 FIG. 3 is a top plan view thereof;
 FIG. 4 is a bottom plan view thereof;
 FIG. 5 is a right side elevation view thereof;
 FIG. 6 is a left side elevation view thereof;
 FIG. 7 is a bottom elevation view of thereof;
 FIG. 8 is a front elevation view of thereof;
 FIG. 9 is a top front perspective view of a cake construction tool in a fully closed configuration;
 FIG. 10 is a bottom perspective view of the cake construction tool of FIG. 9 in a fully closed configuration;
 FIG. 11 is a top plan view of the cake construction tool in the fully closed configuration depicted in FIG. 9;
 FIG. 12 is a bottom plan view of the cake construction tool in the fully closed configuration depicted in FIG. 9;
 FIG. 13 is a right side elevation view of the cake construction tool in the fully closed configuration depicted in FIG. 9;
 FIG. 14 is a left side elevation view of the cake construction tool in the fully closed configuration depicted in FIG. 9;
 FIG. 15 is a back elevation view of the cake construction tool in the fully closed configuration depicted in FIG. 9; and,
 FIG. 16 is a front elevation view of the cake construction tool in the fully closed configuration depicted in FIG. 9.

1 Claim, 16 Drawing Sheets



(56)

References Cited

U.S. PATENT DOCUMENTS

3,130,764 A * 4/1964 Donovan B26D 3/245
33/482
3,318,283 A 5/1967 MaClam et al.
3,380,169 A * 4/1968 Ungar A47G 19/022
33/525
D214,391 S * 6/1969 Weiss 229/407
3,477,135 A 11/1969 Haapala
3,690,610 A 9/1972 Peirce
3,693,261 A * 9/1972 Moore B43L 7/12
33/1 AP
D225,254 S * 11/1972 Meaney, Jr. 30/303
4,069,772 A 1/1978 Haapala
4,676,005 A 6/1987 Seligman
D318,399 S * 7/1991 DeAre D7/566
D328,408 S * 8/1992 De Are D7/566
7,287,870 B1 10/2007 Knoch
D660,644 S * 5/2012 Beijl D7/213
D666,457 S * 9/2012 Logan D7/505
D696,064 S * 12/2013 Hwang D7/388
D798,739 S * 10/2017 Reaux D9/756
9,851,195 B1 * 12/2017 Keen A21C 15/00

* cited by examiner

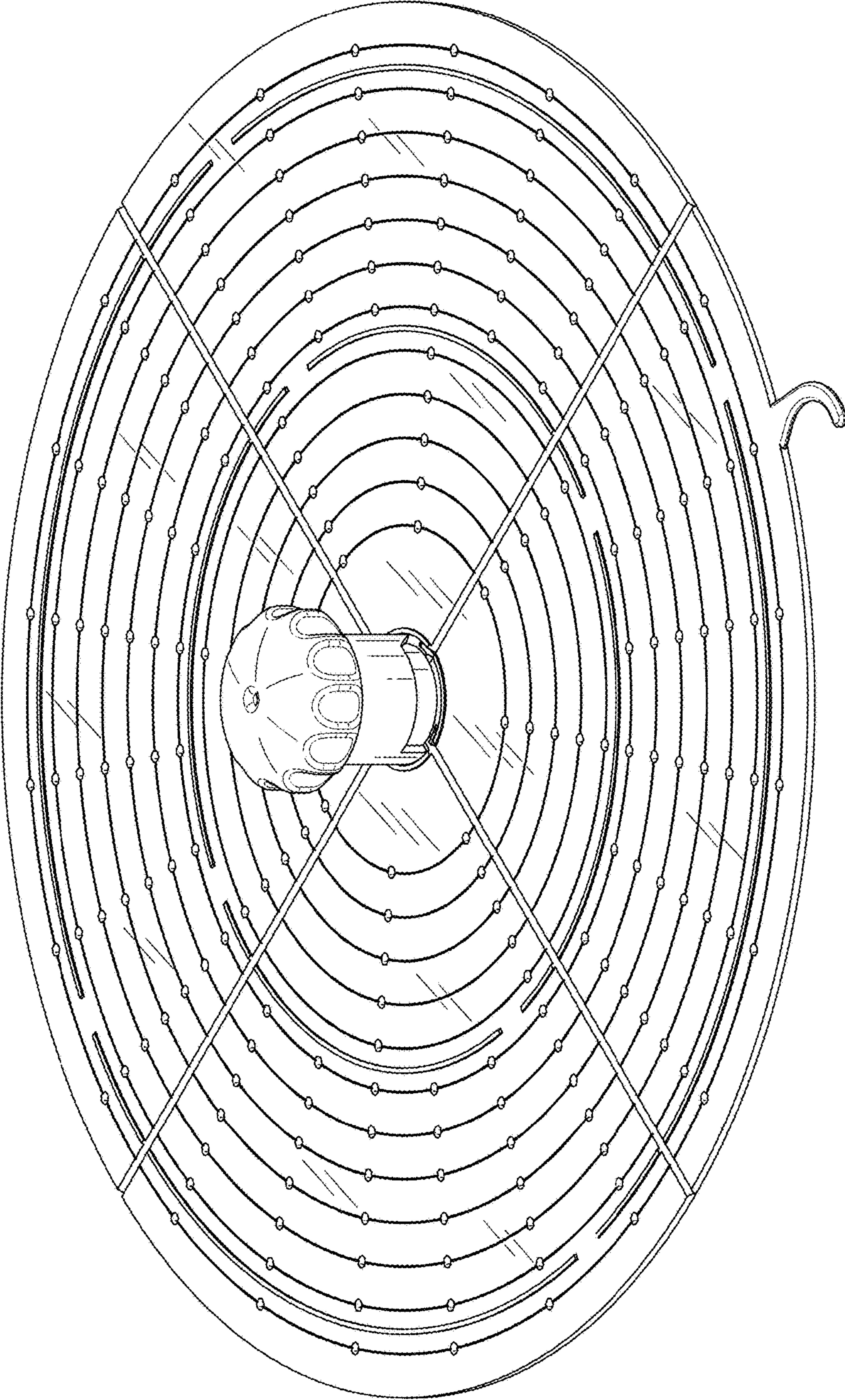


FIG. 1

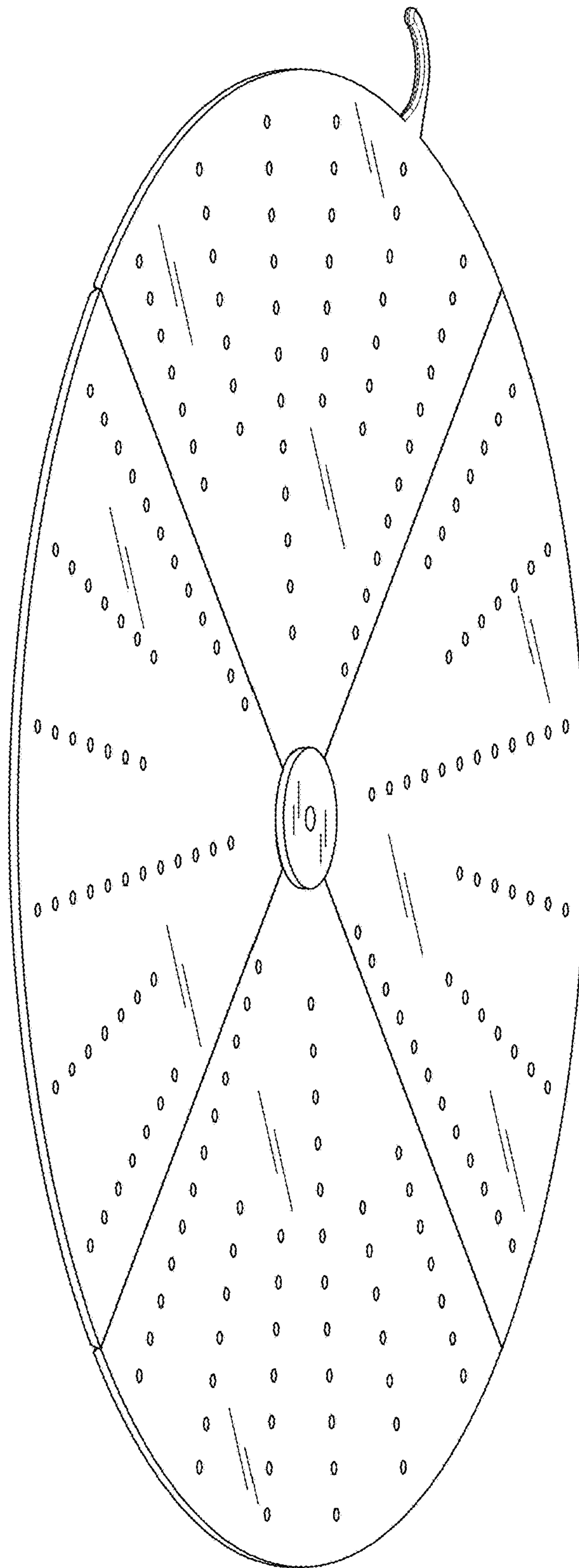


FIG. 2

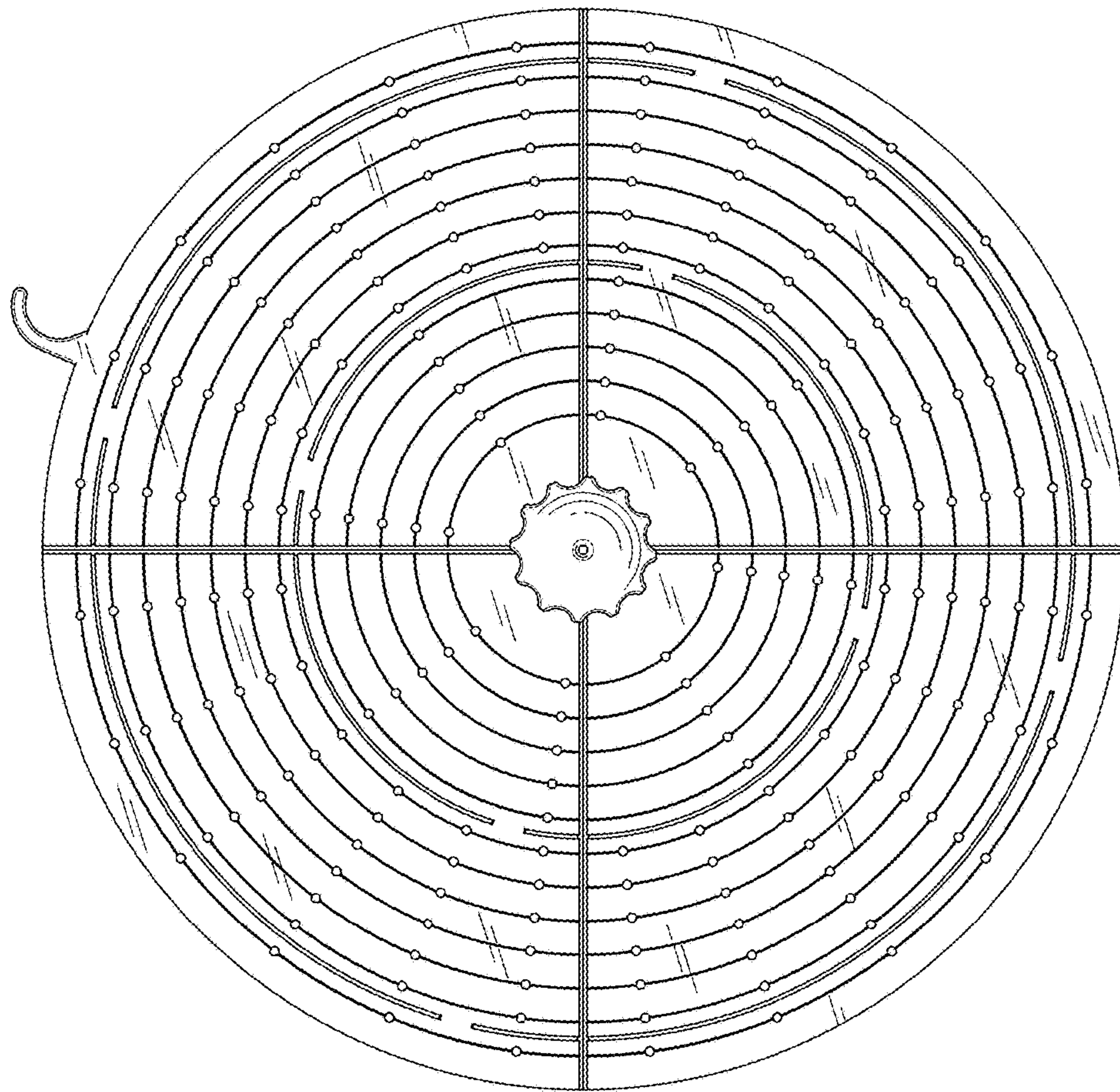


FIG. 3

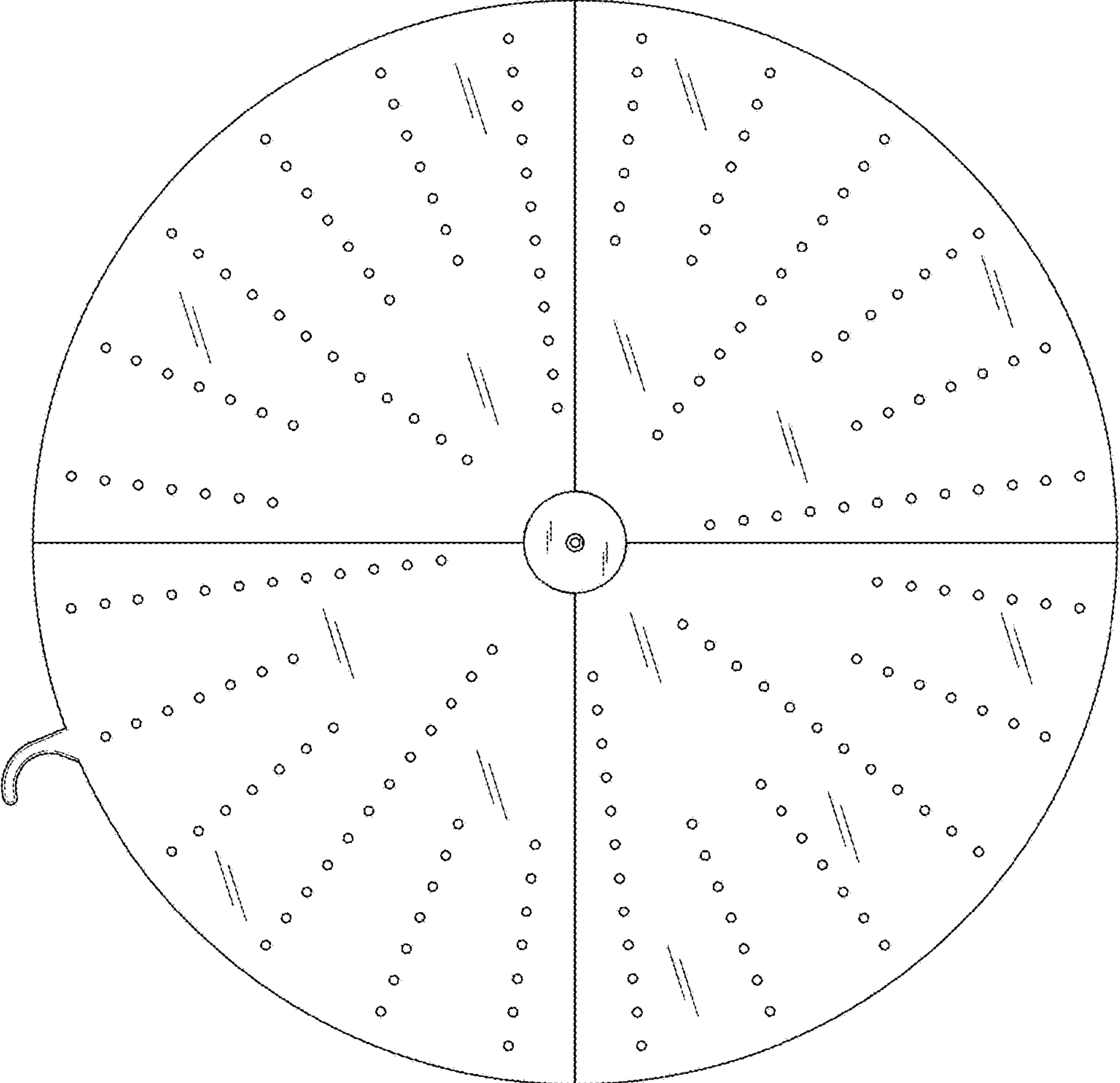


FIG. 4

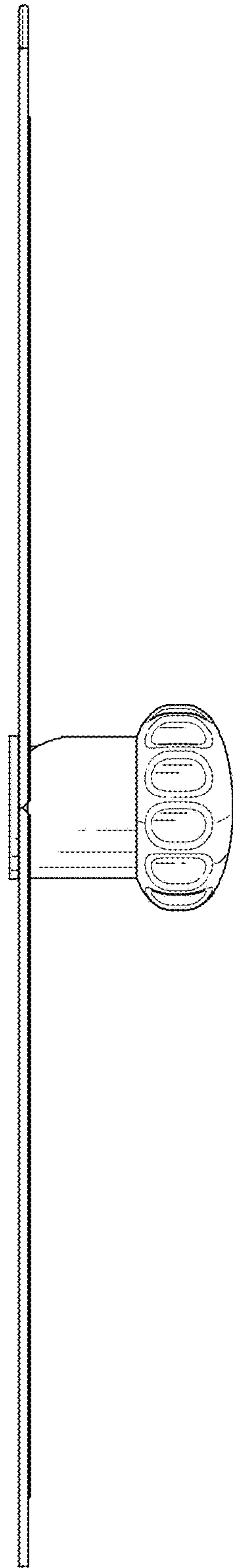


FIG. 5

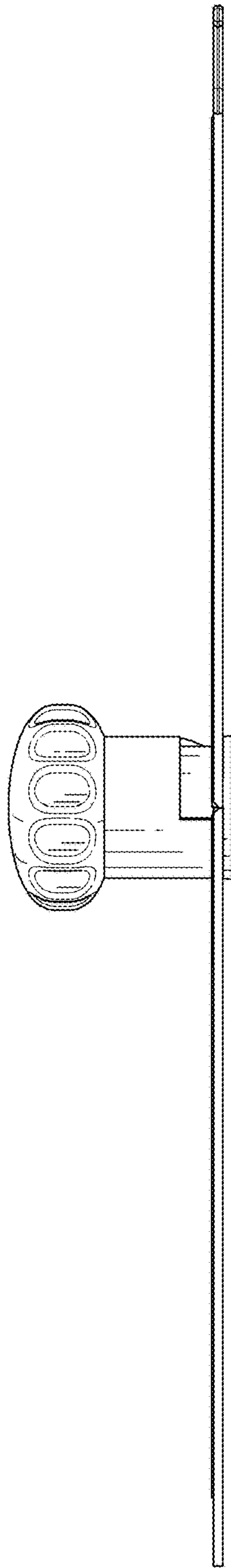


FIG. 6

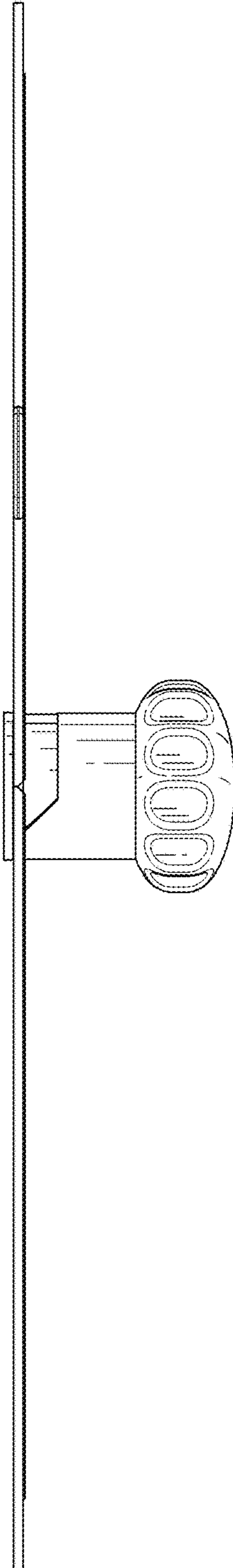


FIG. 7

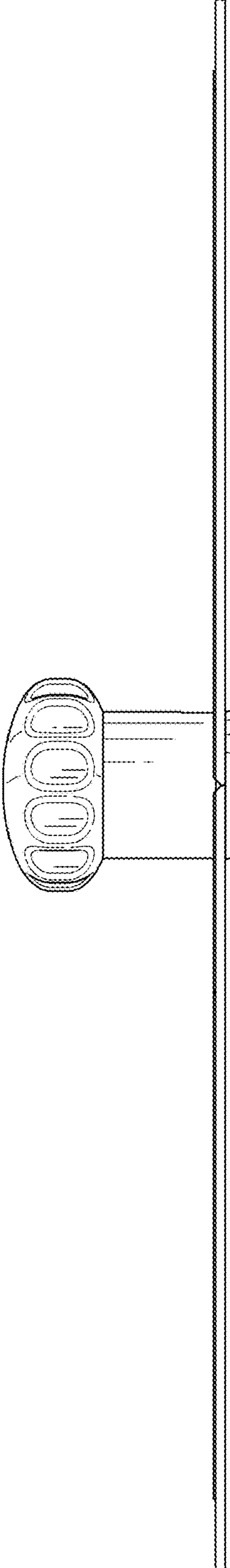


FIG. 8

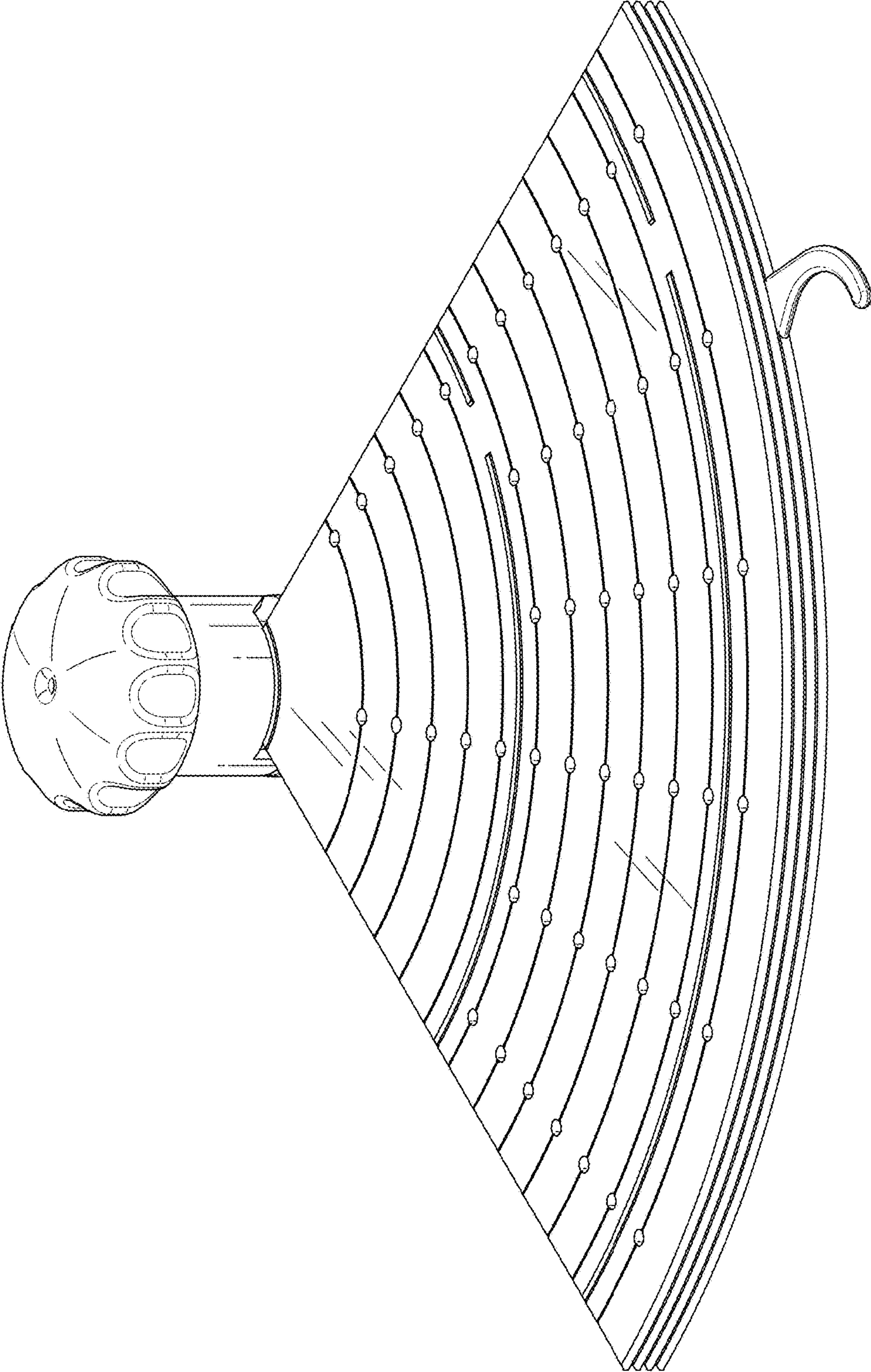


FIG. 9

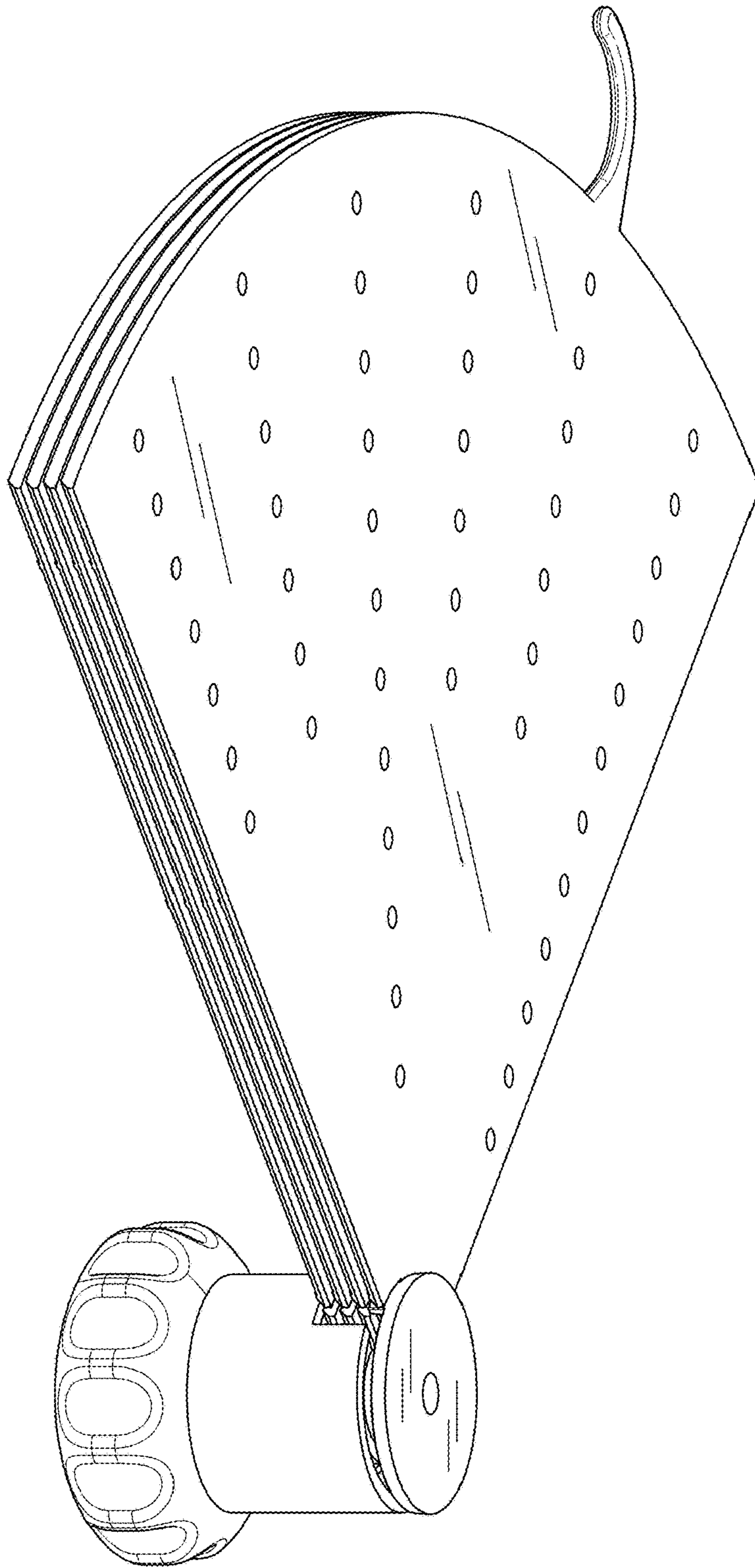


FIG. 10

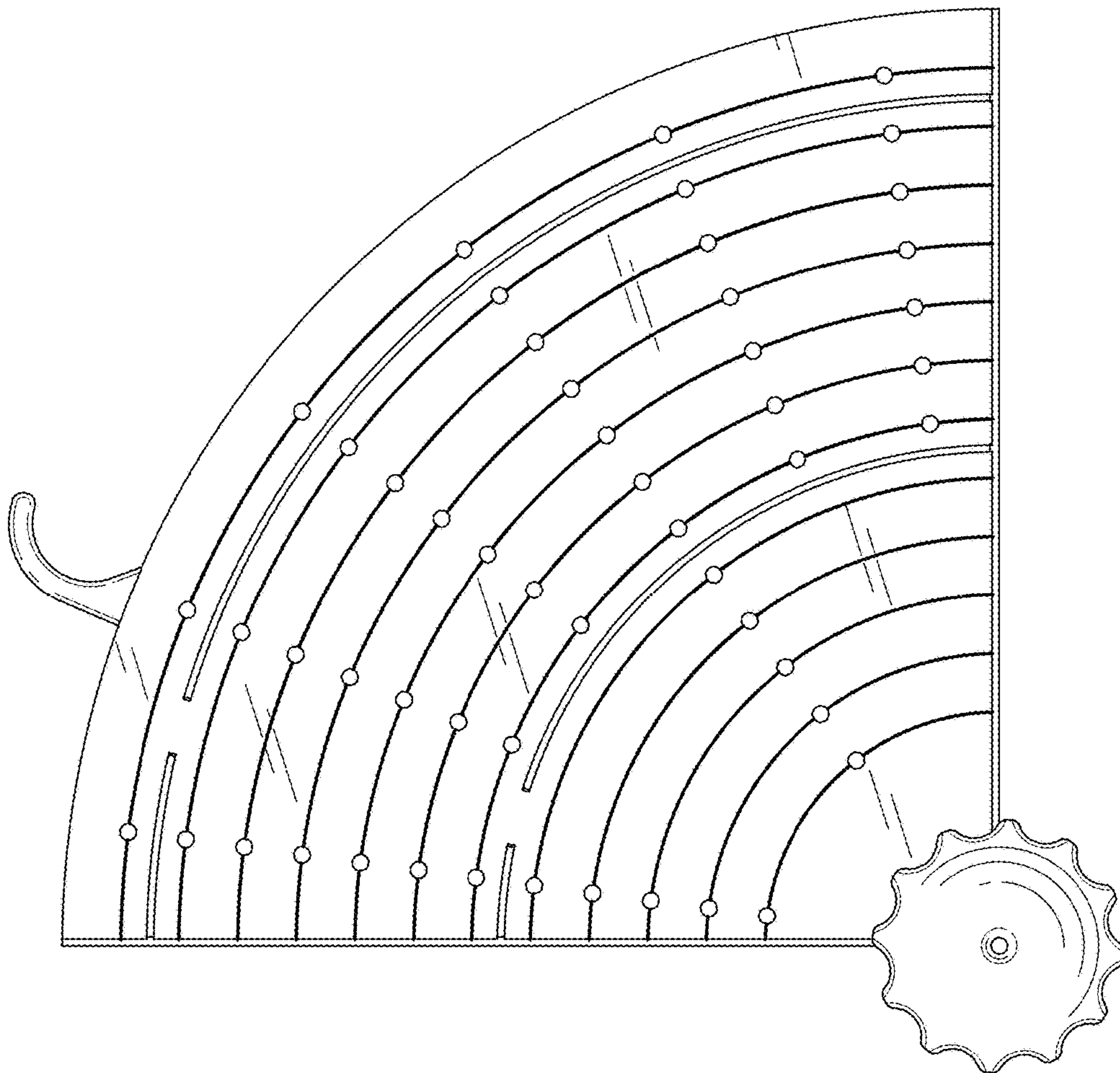


FIG. 11

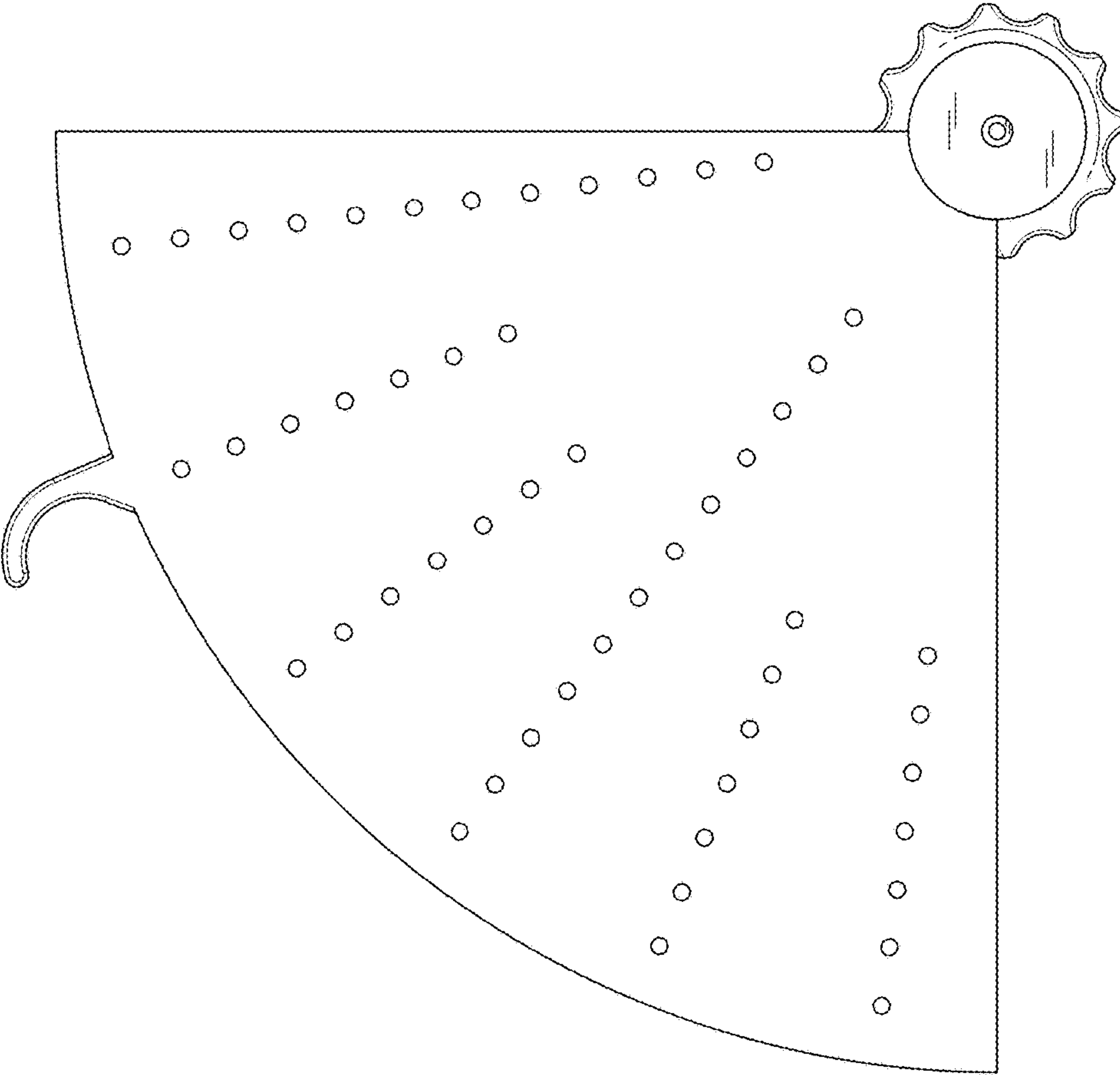


FIG. 12

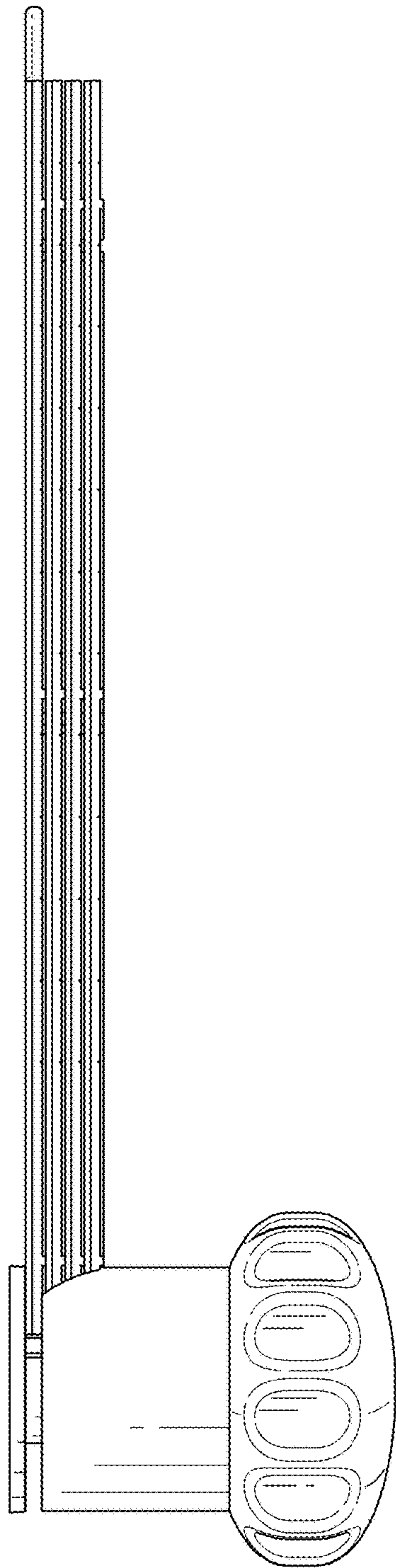


FIG. 13

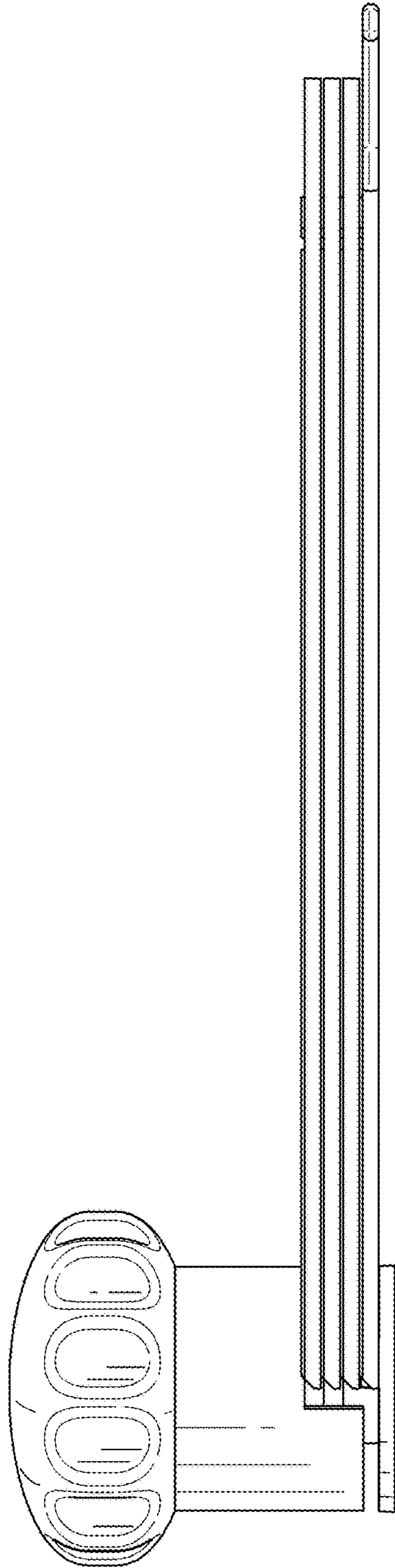


FIG. 14

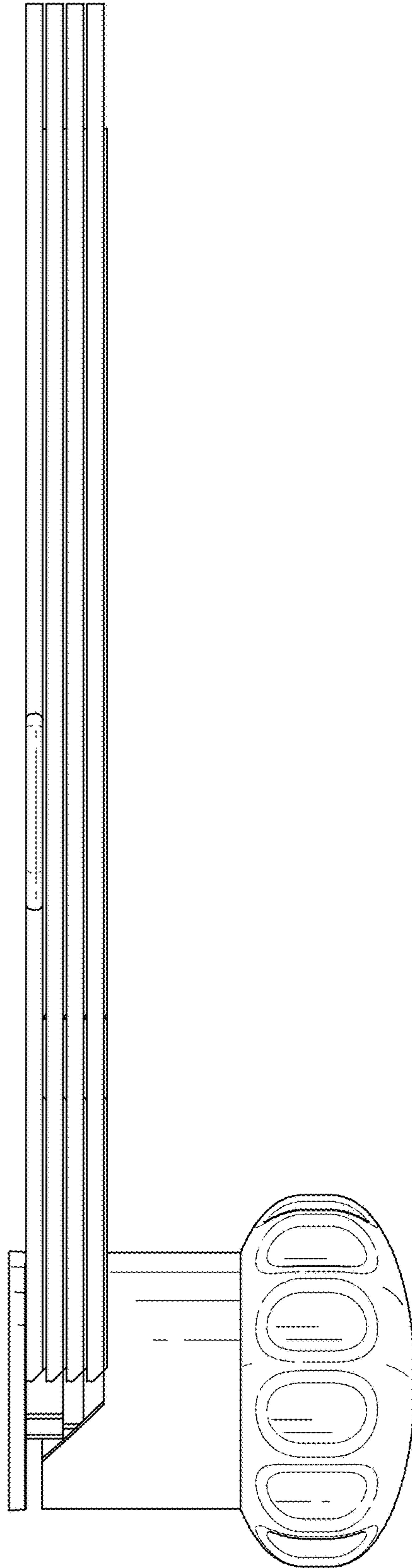


FIG. 15

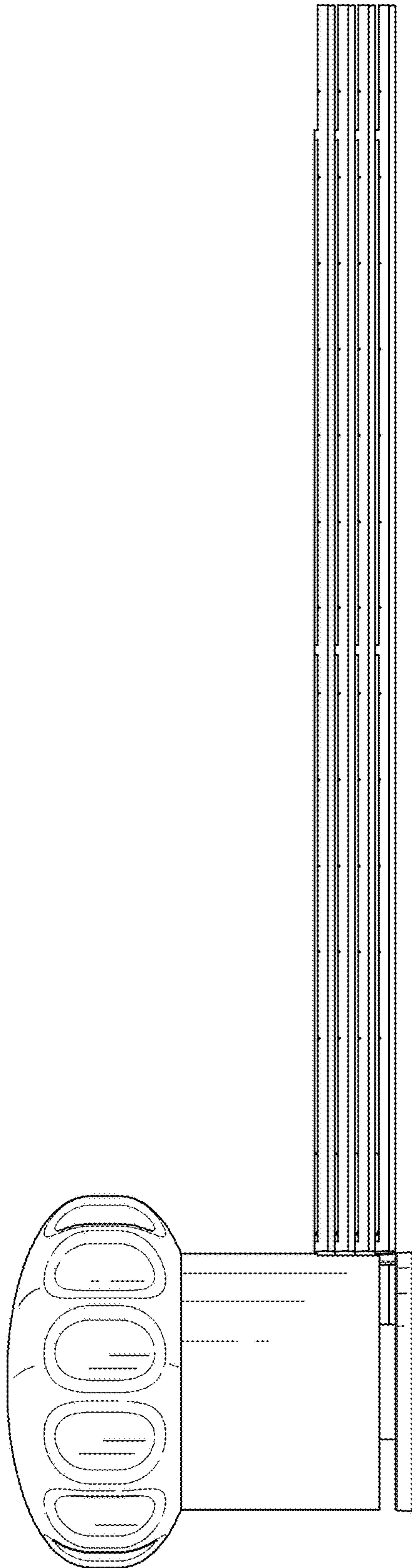


FIG. 16