



US00D830775S

(12) **United States Design Patent** (10) **Patent No.:** **US D830,775 S**
Lewis (45) **Date of Patent:** **** Oct. 16, 2018**

(54) **THREE CHAMBER TUMBLER**
(71) Applicant: **Promo Vessel LLC**, Las Vegas, NV (US)
(72) Inventor: **Kevin Lewis**, Las Vegas, NV (US)
(73) Assignee: **PROMO VESSEL LLC**, Las Vegas, NV (US)
(**) Term: **15 Years**
(21) Appl. No.: **29/575,830**
(22) Filed: **Aug. 29, 2016**
(51) **LOC (11) Cl.** **07-01**
(52) **U.S. Cl.**
USPC **D7/513; D7/510; D7/523**
(58) **Field of Classification Search**
USPC D7/509, 510, 511, 523, 532, 534, 536, D7/300.1, 533, 394, 395, 531, 608, 529, D7/513, 507; D24/197; 220/592.16, 220/592.17, 704, 705, 706, 707; D9/435, D9/447
CPC A47G 19/22; A47G 19/2205; A47G 19/2211; A47G 19/2266; A47G 19/2288; B65D 47/066; B65D 43/02; B65D 43/04; A47J 43/27; A47J 41/02
See application file for complete search history.

5,242,071 A * 9/1993 Goebel B65D 21/0233 206/515
D355,735 S * 2/1995 Shaffer D32/53
D395,790 S * 7/1998 Gaines D7/510
5,934,501 A * 8/1999 Wright A47G 19/2211 220/23.83
D416,443 S * 11/1999 Kilpatrick D7/511
6,123,214 A * 9/2000 Goebel B65D 21/0204 206/805
6,179,146 B1 * 1/2001 Betras B65D 21/0204 215/229
6,382,452 B1 * 5/2002 Getachew B65D 21/0204 220/23.4
D480,601 S * 10/2003 Pettaweebuncha D7/509
D515,870 S * 2/2006 Akopyan D7/513
D518,997 S * 4/2006 Salkow D7/513
7,975,868 B1 * 7/2011 Flies B65D 1/24 215/12.1
D689,739 S * 9/2013 Schmitt D7/510
8,616,390 B2 * 12/2013 Kountotsis B65D 81/3288 215/6
D701,425 S * 3/2014 Pearson D7/510
D718,969 S * 12/2014 Hylton D7/300.2
D722,828 S * 2/2015 Shamoon D7/510

(Continued)

Primary Examiner — Marianne Pandozzi
Assistant Examiner — Jae Liang

(57) **CLAIM**

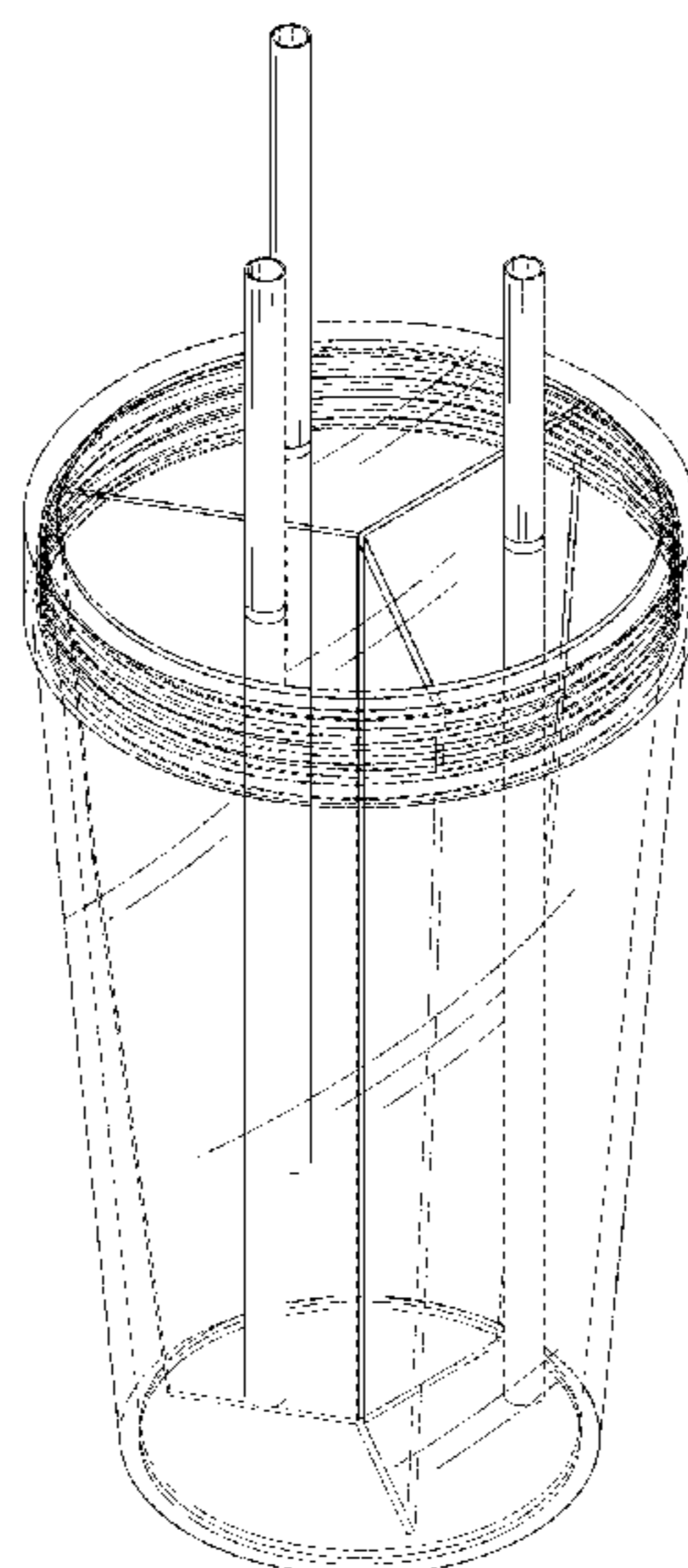
The ornamental design for a three chamber tumbler, as shown and described.

DESCRIPTION

FIG. 1 is a front view of a three chamber tumbler showing my new design;
FIG. 2 is a left-side view thereof;
FIG. 3 is a top plan view thereof;
FIG. 4 is a bottom plan view thereof;
FIG. 5 is an isometric perspective view thereof;
FIG. 6 is an additional perspective view thereof; and,
FIG. 7 is a further perspective view thereof.

1 Claim, 7 Drawing Sheets

(56) **References Cited**
U.S. PATENT DOCUMENTS
2,428,056 A * 9/1947 Wachsman A47G 19/2211 220/529
3,052,368 A * 9/1962 Atkins A47J 47/02 215/10
4,494,668 A * 1/1985 Lottick A47G 19/2266 215/229
4,955,503 A * 9/1990 Propes A47G 19/2266 220/526



(56)

References Cited

U.S. PATENT DOCUMENTS

D736,034 S *	8/2015	Spivey	D7/510	2009/0039093 A1*	2/2009	Forsythe	A47G 19/2266 220/709
D736,565 S *	8/2015	Wright	D7/541	2010/0315897 A1*	12/2010	Renna	A47J 43/27 366/130
D754,480 S *	4/2016	Chen	D7/509	2011/0132922 A1*	6/2011	Summers	A47G 19/2266 222/1
D755,013 S *	5/2016	Khubani	D7/507	2013/0001233 A1*	1/2013	Hylton	A47G 19/2272 220/592.2
D760,543 S *	7/2016	Lue	D7/507	2015/0136767 A1*	5/2015	Chen	A47G 19/2272 220/23.2
D783,361 S *	4/2017	Pellham	D7/513	2015/0144516 A1*	5/2015	Shamoon	B65D 25/04 206/459.1
D784,082 S *	4/2017	Yao	D7/507	2016/0270600 A1*	9/2016	Pappas	A47J 43/27
D789,743 S *	6/2017	Washburn	D7/507	2017/0318995 A1*	11/2017	Rai	A47G 21/18
D803,071 S *	11/2017	Telu-Zoltner	D9/747	2017/0361985 A1*	12/2017	Kaminkow	B65D 43/02
2005/0269323 A1*	12/2005	Akopyan	A47G 19/2205 220/23.4				
2006/0151496 A1*	7/2006	Healy	A47G 19/2205 220/23.83				

* cited by examiner

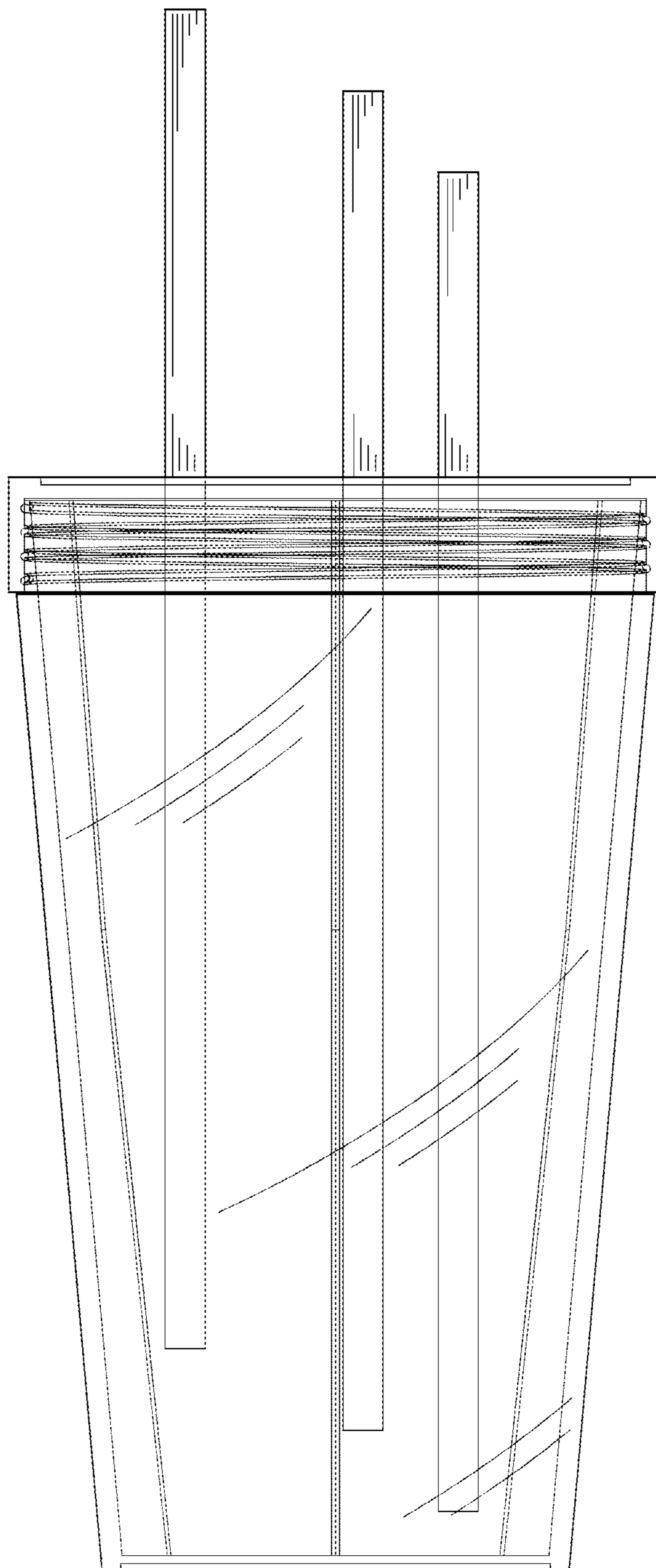


FIG. 1

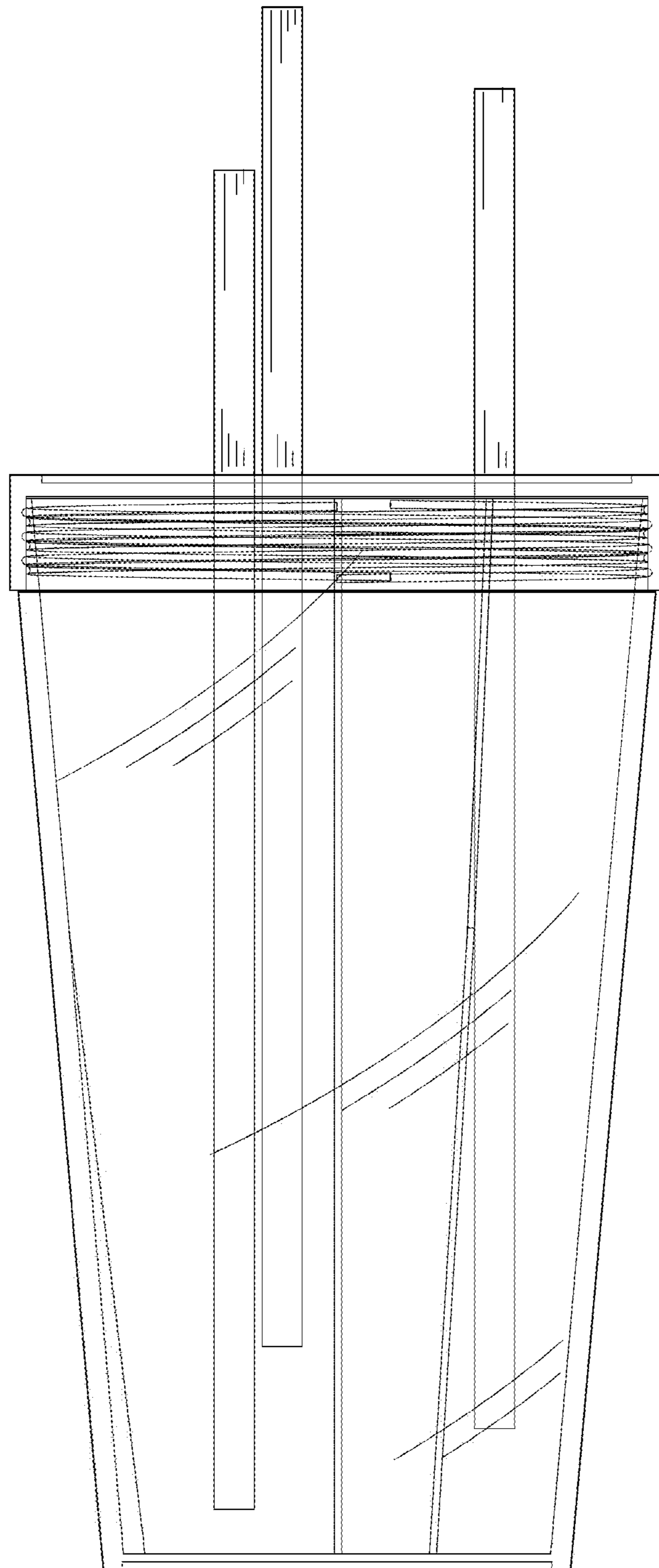


FIG. 2

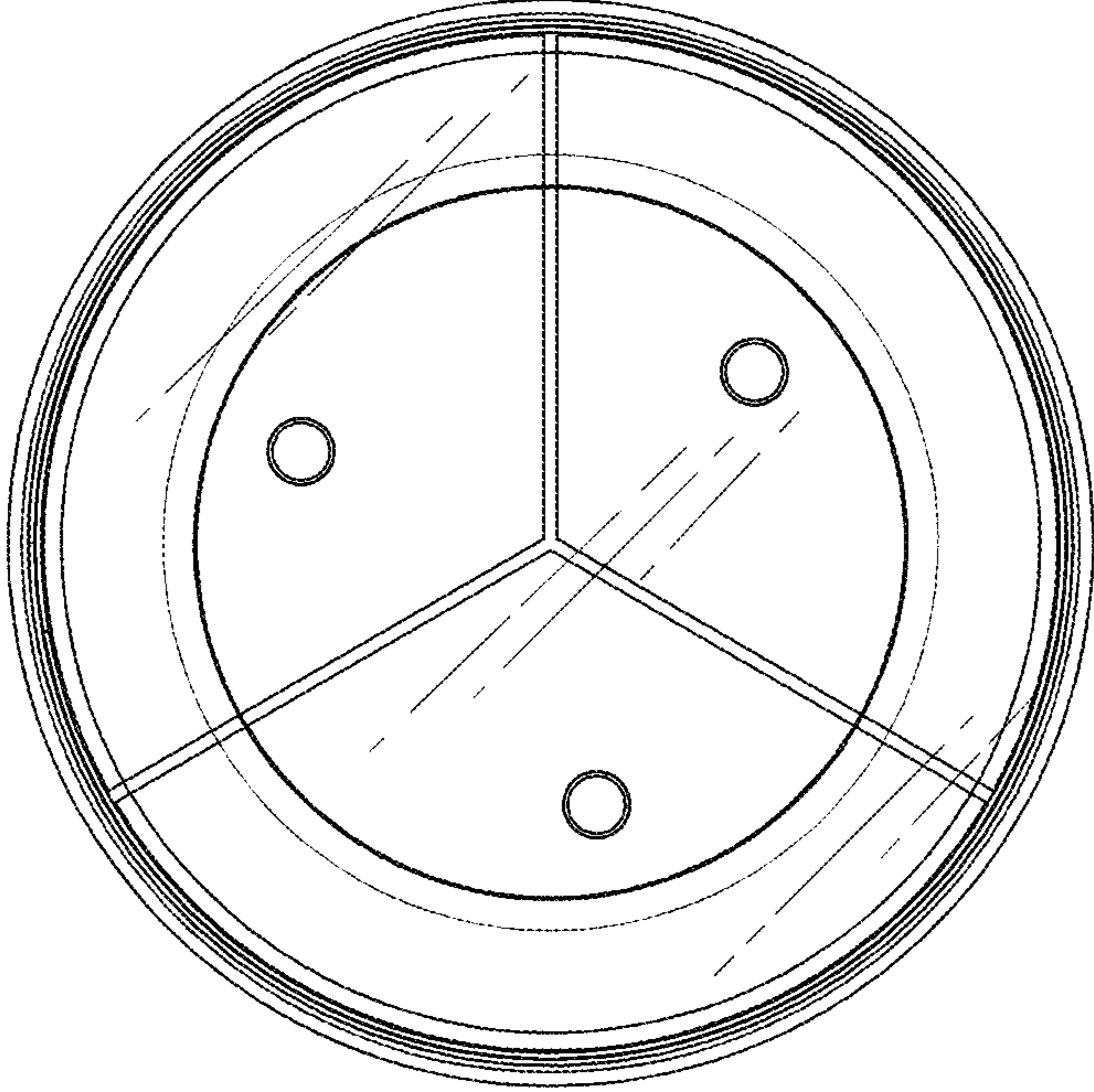


FIG. 3

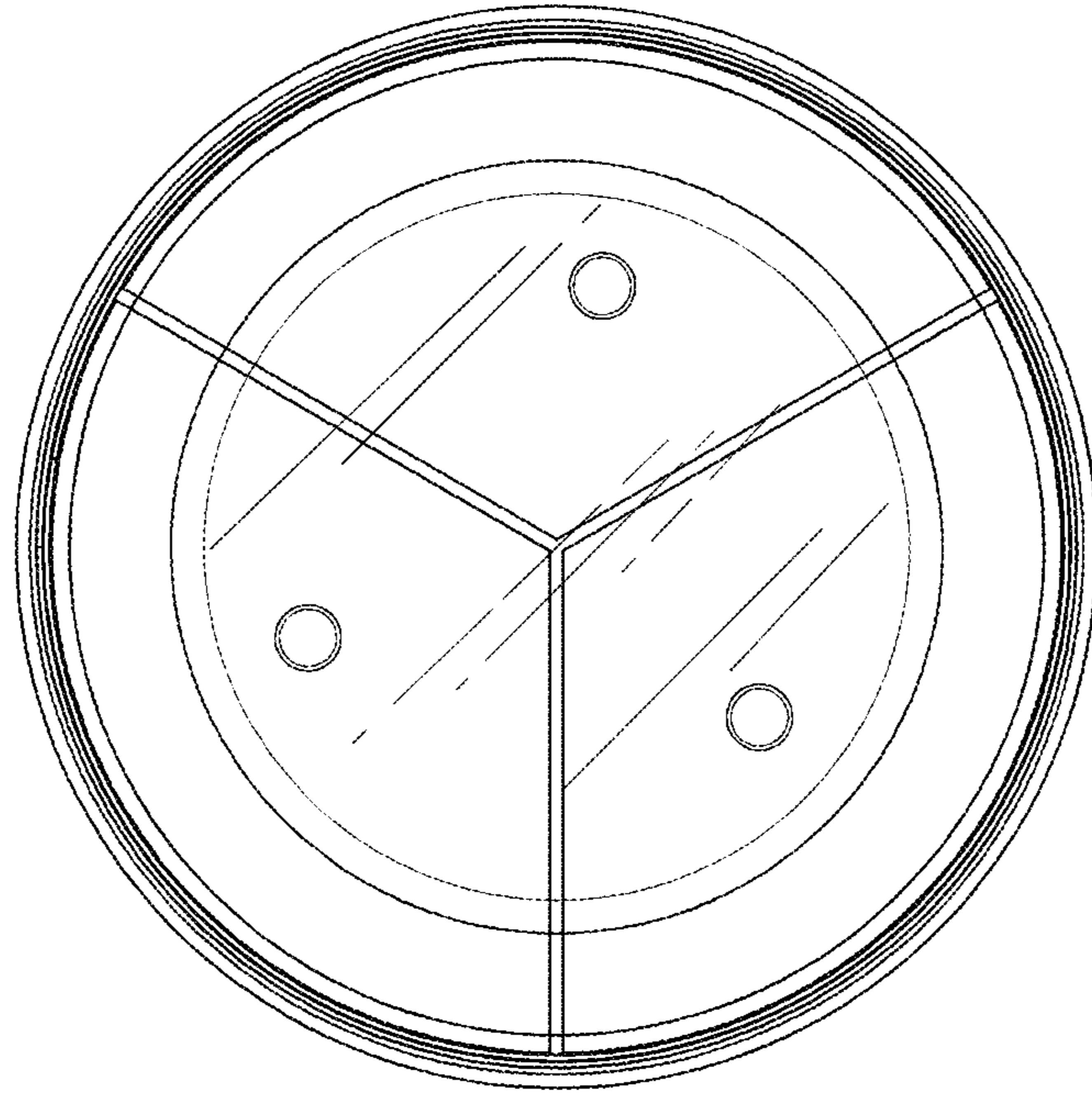


FIG. 4

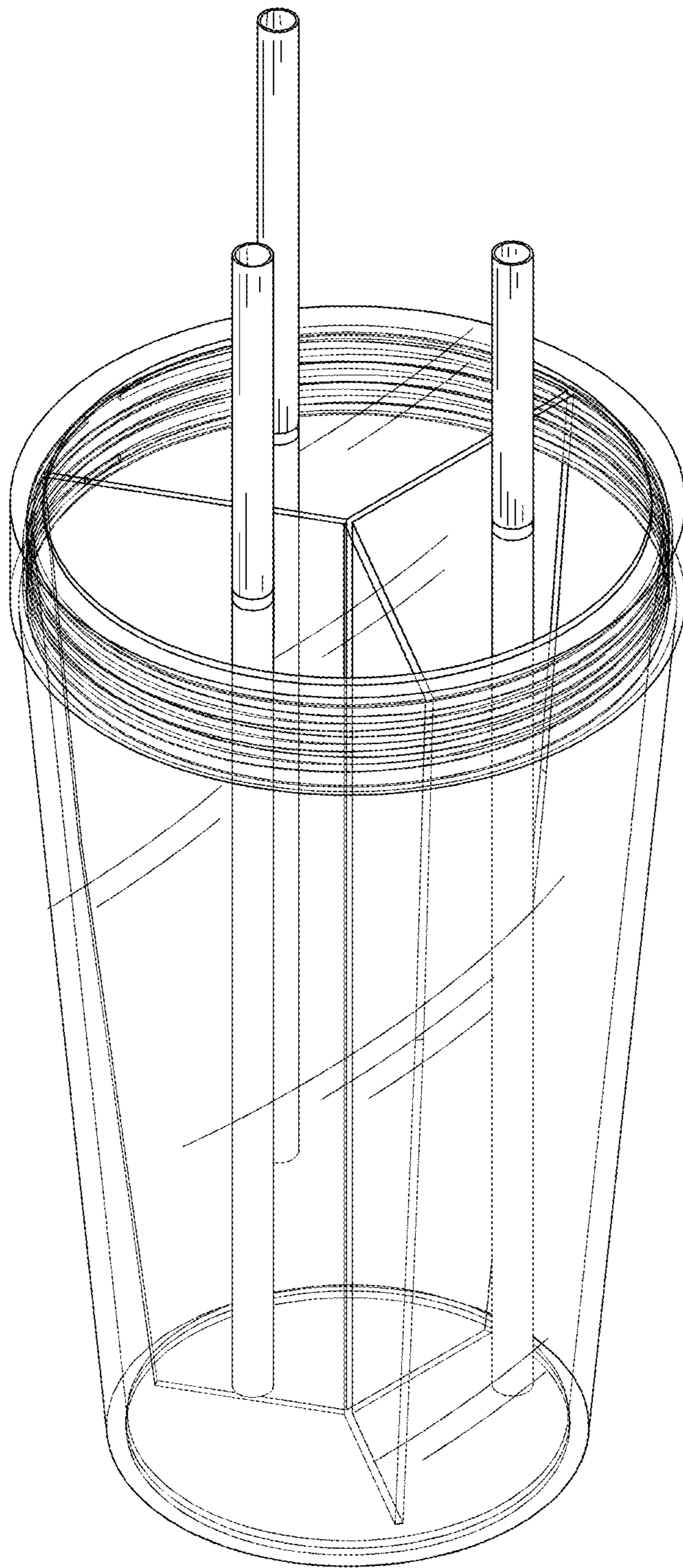


FIG. 5

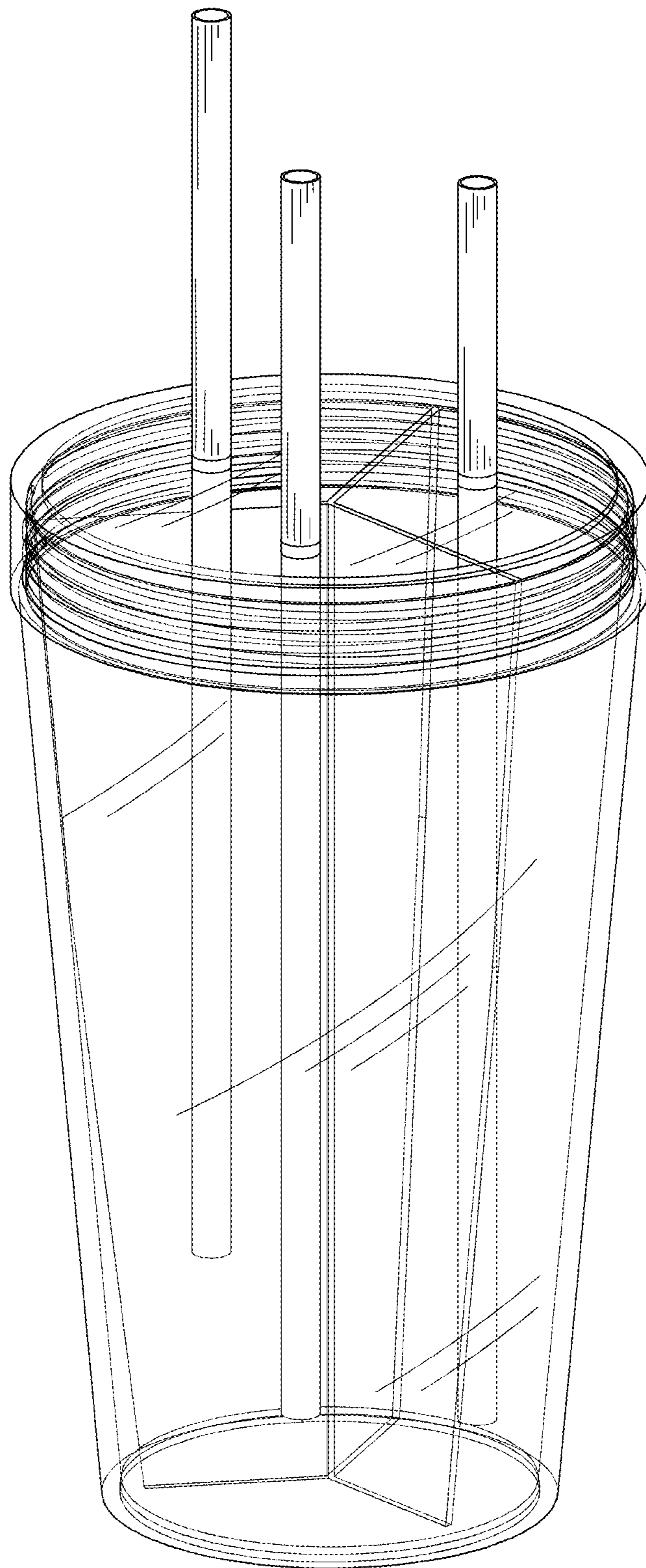


FIG. 6

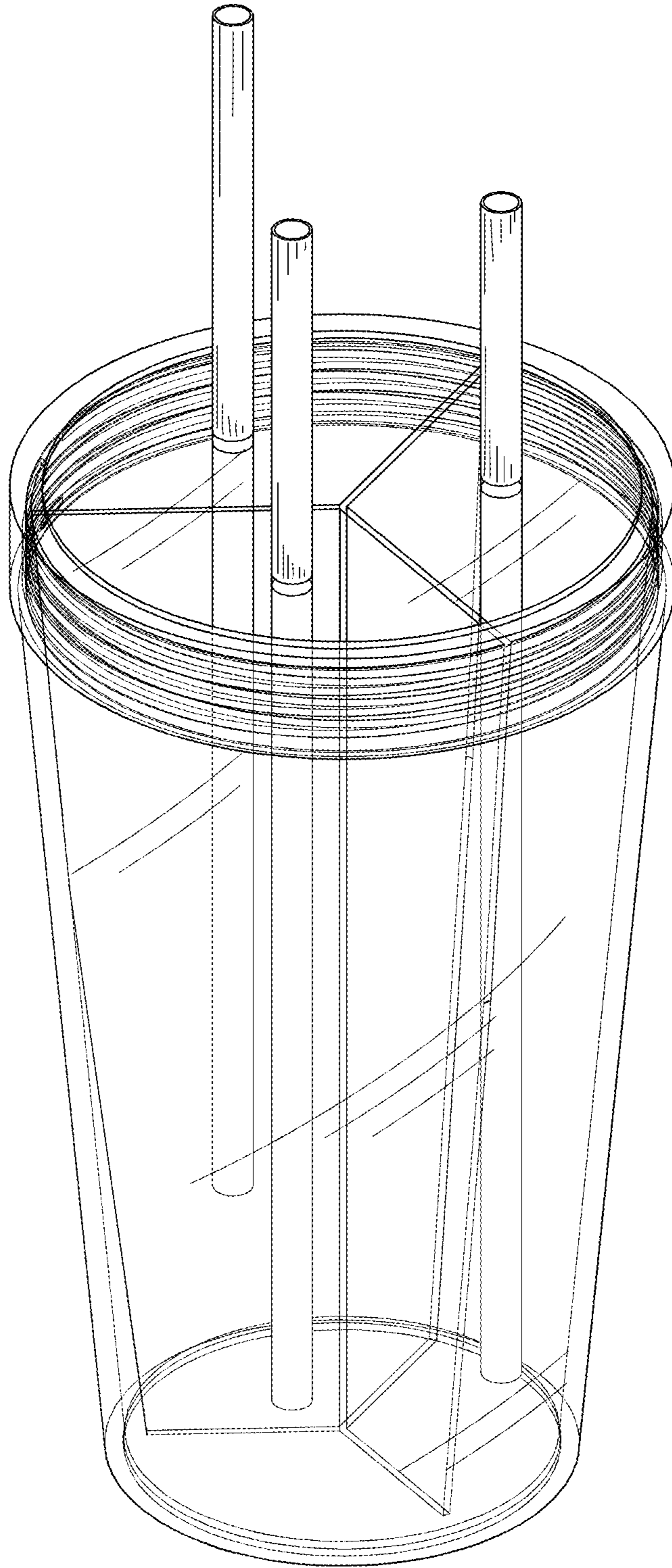


FIG. 7