



US00D830772S

(12) **United States Design Patent**  
**Rosette et al.**

(10) **Patent No.:** **US D830,772 S**

(45) **Date of Patent:** **\*\* Oct. 16, 2018**

(54) **BOTTLE**

(71) Applicant: **Disney Enterprises, Inc.**, Burbank, CA (US)

(72) Inventors: **Kaitlyn M. Rosette**, Los Angeles, CA (US); **Daria Vinogradova**, Lake Balboa, CA (US)

(73) Assignee: **Disney Enterprises, Inc.**, Burbank, CA (US)

(\*\*) Term: **15 Years**

(21) Appl. No.: **29/610,545**

(22) Filed: **Jul. 13, 2017**

(51) **LOC (11) Cl.** ..... **07-01**

(52) **U.S. Cl.**

USPC ..... **D7/510**; D7/532; D7/536; D9/560

(58) **Field of Classification Search**

USPC ..... D7/507, 509, 510, 511, 512, 523, 531, D7/532, 533, 535, 536, 608, 392.1, 396.2, D7/529, 667, 319, 320, 300, 300.1; D9/435, 436, 449, 442, 443, 500, 502, D9/503, 504, 529, 447, 516, 453, 531, D9/567, 539, 560, 544, 572, 573; 220/592.16, 592.17, 62.12, 703; D26/7  
CPC ..... A45F 3/16; B65D 47/066; A47J 43/27; A47G 19/2272; A47G 19/2211; A47G 19/22; A47G 19/2222

See application file for complete search history.

(56) **References Cited**

**U.S. PATENT DOCUMENTS**

D111,253 S \* 9/1938 Grasty ..... D9/560  
D217,435 S \* 5/1970 William ..... D9/560  
D267,076 S \* 11/1982 Hurtig ..... D9/520  
D320,155 S \* 9/1991 Plochman, III ..... D9/520  
D451,812 S \* 12/2001 Colonna de Giovellina ..... D9/516  
D491,069 S \* 6/2004 Heliste ..... D9/560

D537,726 S \* 3/2007 Elgebrant ..... D9/560  
D537,727 S \* 3/2007 Hutton ..... D9/560  
D539,651 S \* 4/2007 Snyder ..... D9/449  
D548,607 S \* 8/2007 Langbein ..... D9/454  
D558,583 S \* 1/2008 Langbein ..... D9/560  
D577,599 S \* 9/2008 Moretti ..... D9/560  
D602,785 S \* 10/2009 Rothberg ..... D9/547  
D625,955 S \* 10/2010 Yang ..... D7/523  
D649,879 S \* 12/2011 Gullickson ..... D9/443  
D652,256 S \* 1/2012 Eyal ..... D7/510  
D656,405 S \* 3/2012 Byron ..... D9/560

(Continued)

*Primary Examiner* — Marianne Pandozzi

*Assistant Examiner* — Jae Liang

(74) *Attorney, Agent, or Firm* — Patterson + Sheridan, LLP

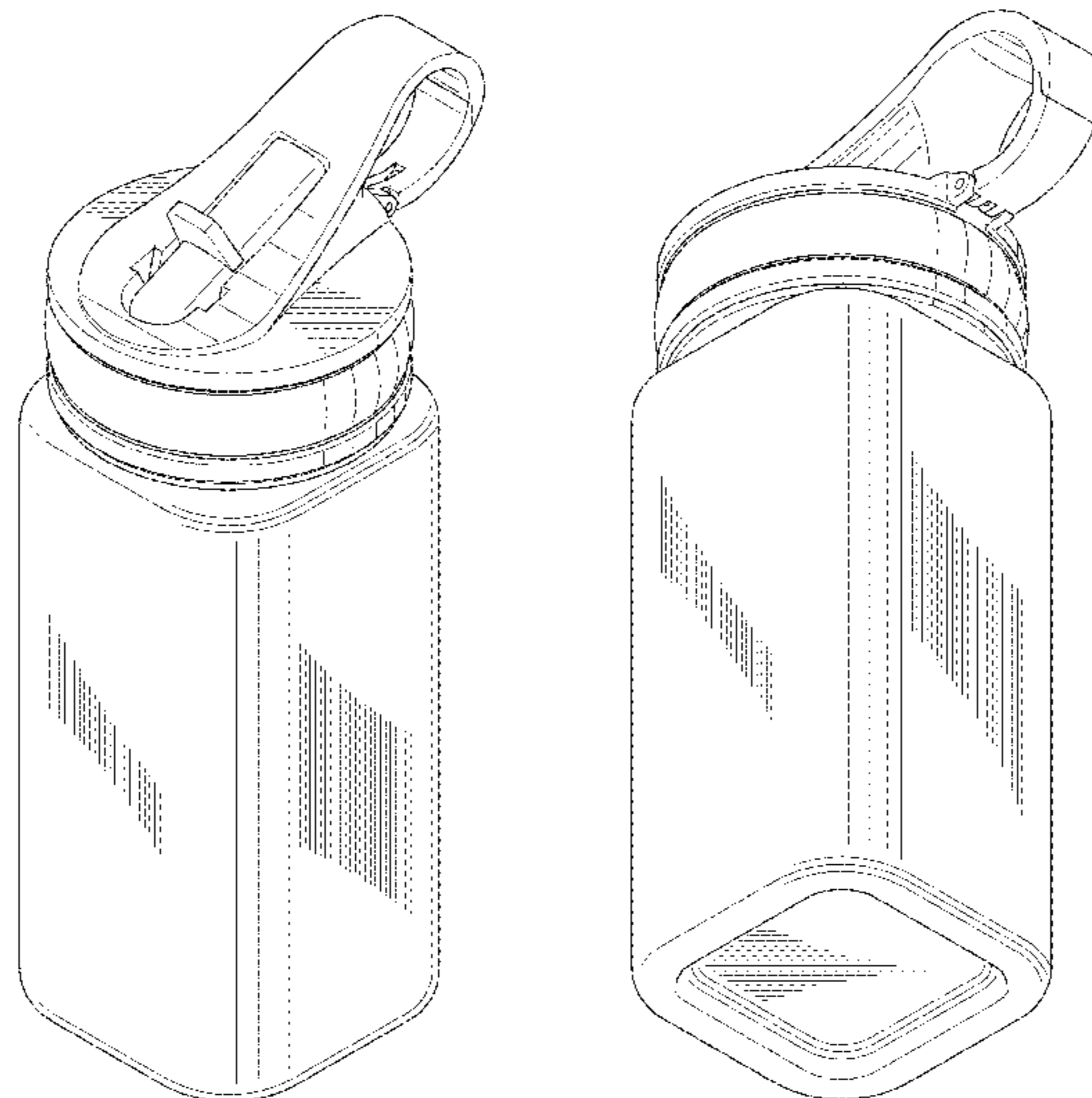
(57) **CLAIM**

The ornamental design for a bottle, as shown and described.

**DESCRIPTION**

FIG. 1 is a top front perspective view of a bottle showing our new design;  
FIG. 2 is a bottom rear perspective view thereof;  
FIG. 3 is a front elevational view thereof;  
FIG. 4 is a left side elevational view thereof;  
FIG. 5 is a rear elevational view thereof;  
FIG. 6 is a right side elevational view thereof;  
FIG. 7 is a top plan view thereof;  
FIG. 8 is a bottom plan view thereof;  
FIG. 9 is a top front perspective view of the bottle in a second position;  
FIG. 10 is a front elevational view of the bottle in the second position;  
FIG. 11 is a left side elevational view of the bottle in the second position;  
FIG. 12 is a right side elevational view of the bottle in the second position; and,  
FIG. 13 is a top plan view of the bottle in the second position.

**1 Claim, 13 Drawing Sheets**



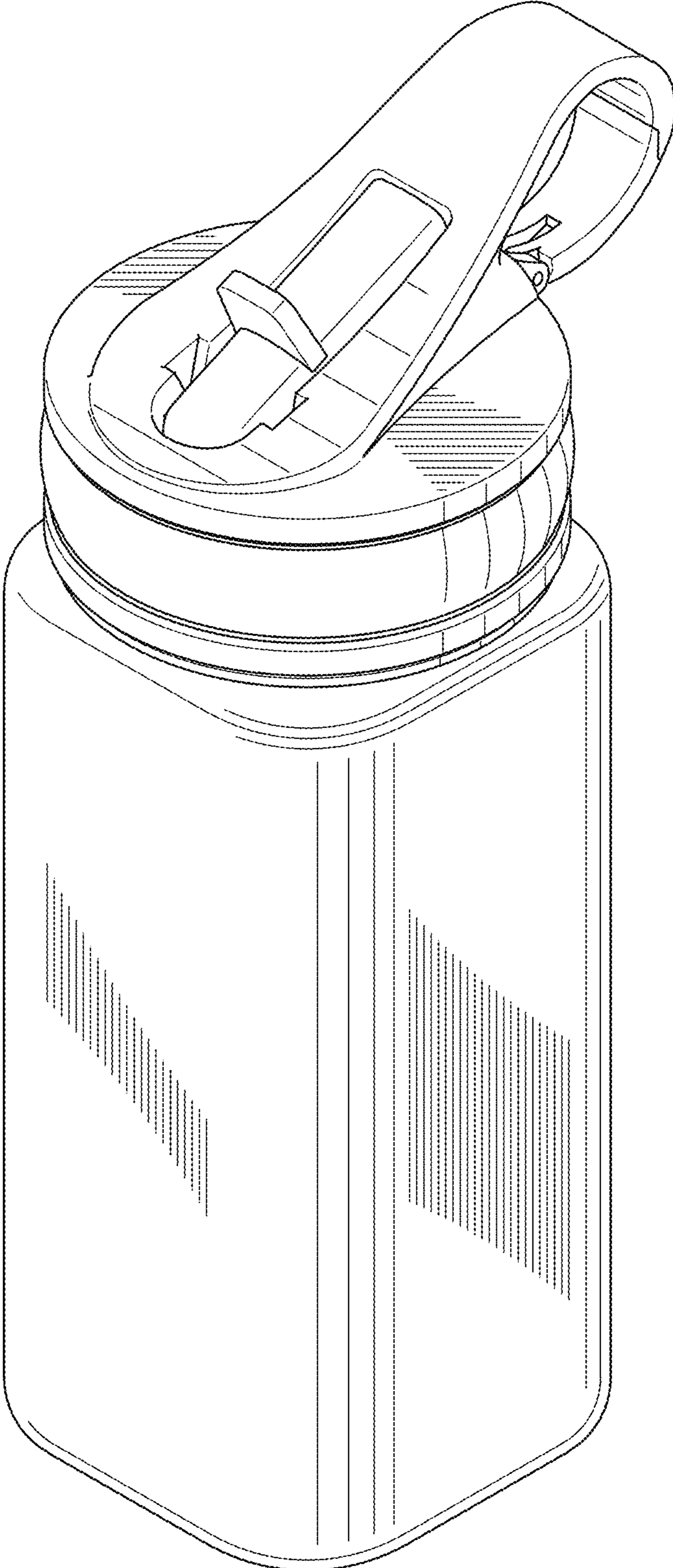
(56)

**References Cited**

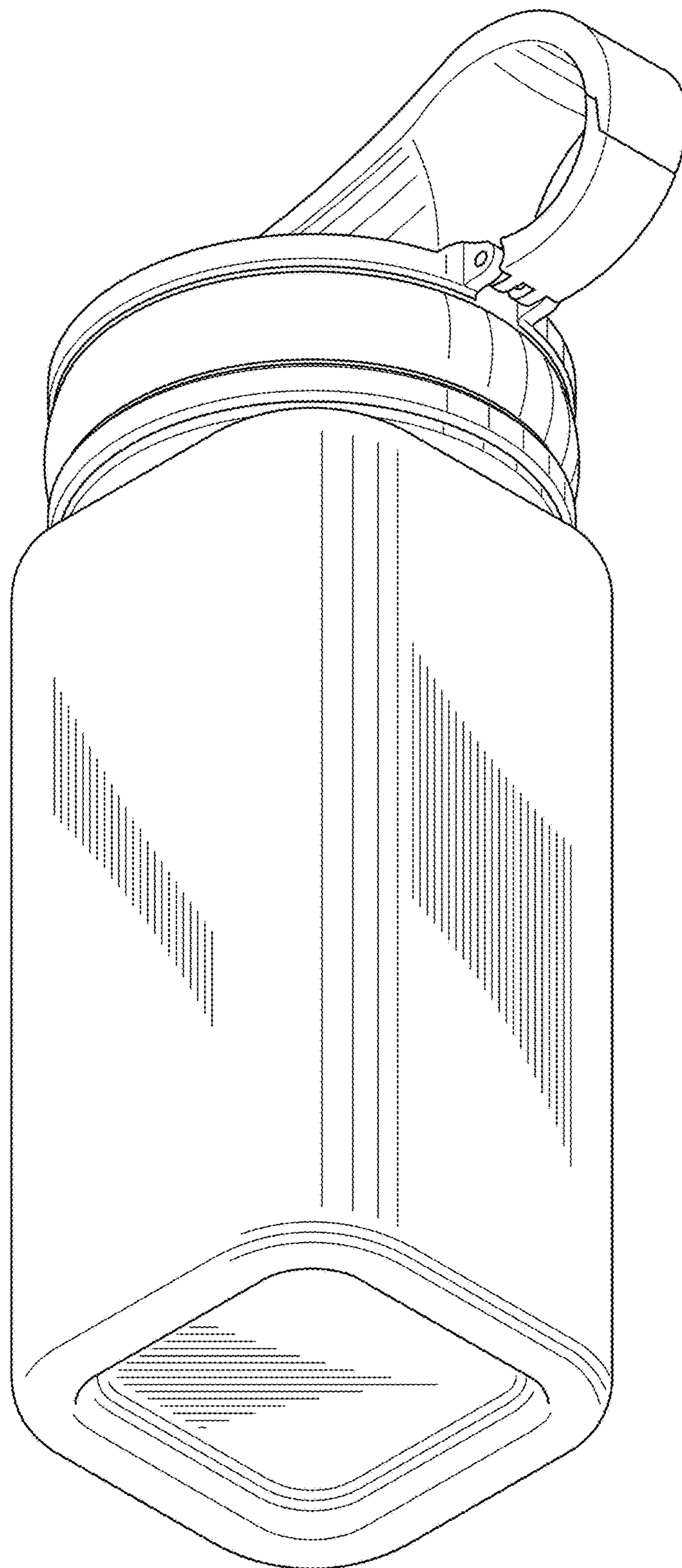
U.S. PATENT DOCUMENTS

8,297,462	B1 *	10/2012	Joyce .....	A45F 3/18 215/396
D696,958	S *	1/2014	Rex .....	D9/435
D704,986	S *	5/2014	Manies .....	D7/392.1
D722,804	S *	2/2015	Kay .....	D7/300.1
D723,333	S *	3/2015	Lin .....	D7/511
D724,384	S *	3/2015	Donovan .....	D7/510
D741,720	S *	10/2015	Anandani .....	D9/560
D756,234	S *	5/2016	Orset .....	D9/560
D760,088	S *	6/2016	Kaye .....	D9/516
D766,093	S *	9/2016	Otani .....	D9/452
D767,405	S *	9/2016	Orset .....	D9/453
D780,588	S *	3/2017	Miller .....	D9/530
D781,654	S *	3/2017	Marquard .....	D7/510
D788,593	S *	6/2017	Dalton .....	D9/560
D791,549	S *	7/2017	Goodwin .....	D7/608
D795,009	S *	8/2017	Alprin .....	D7/392.1
D798,160	S *	9/2017	Miller .....	D9/560
D799,320	S *	10/2017	Goodwin .....	D7/392.1
D805,350	S *	12/2017	Cetera .....	D7/510
D810,500	S *	2/2018	Maple .....	D7/392.1
D814,308	S *	4/2018	Aebi .....	D9/560
2009/0266736	A1 *	10/2009	Sprishen .....	B29C 49/20 206/459.5

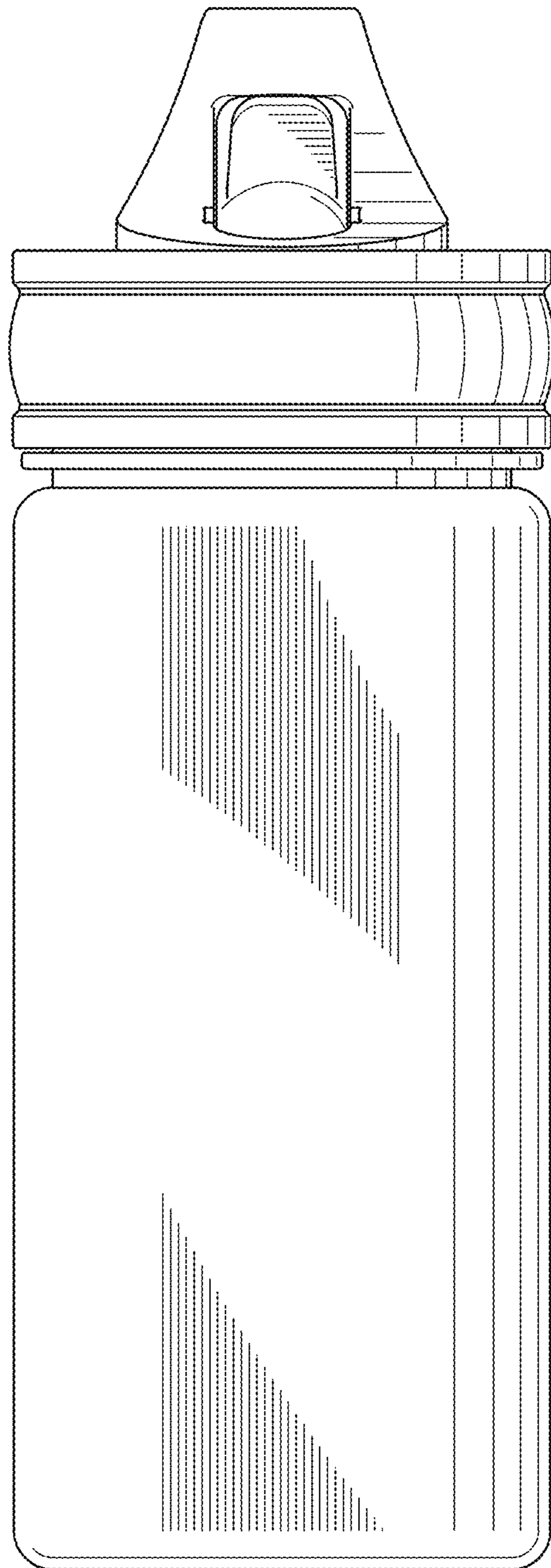
\* cited by examiner



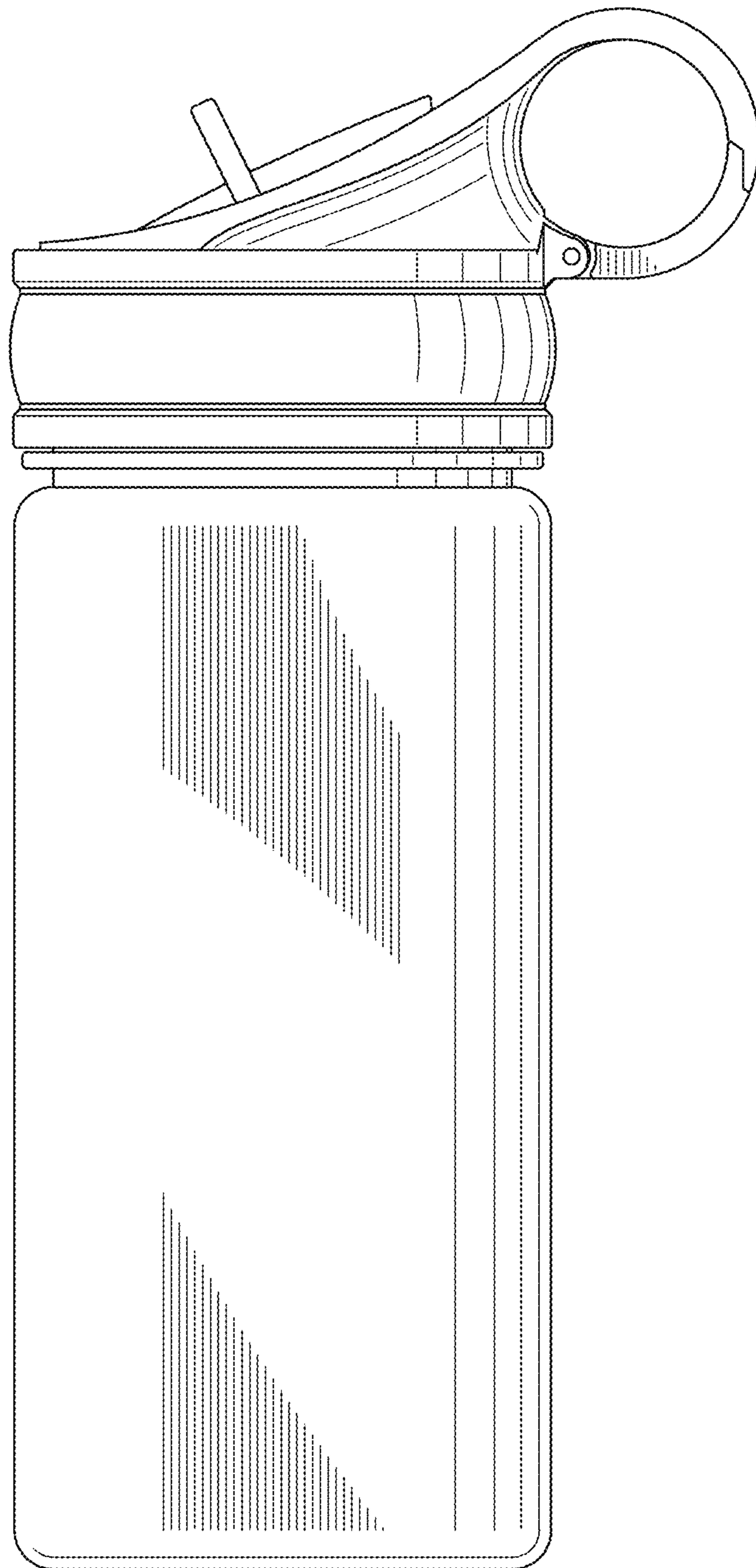
*Fig. 1*



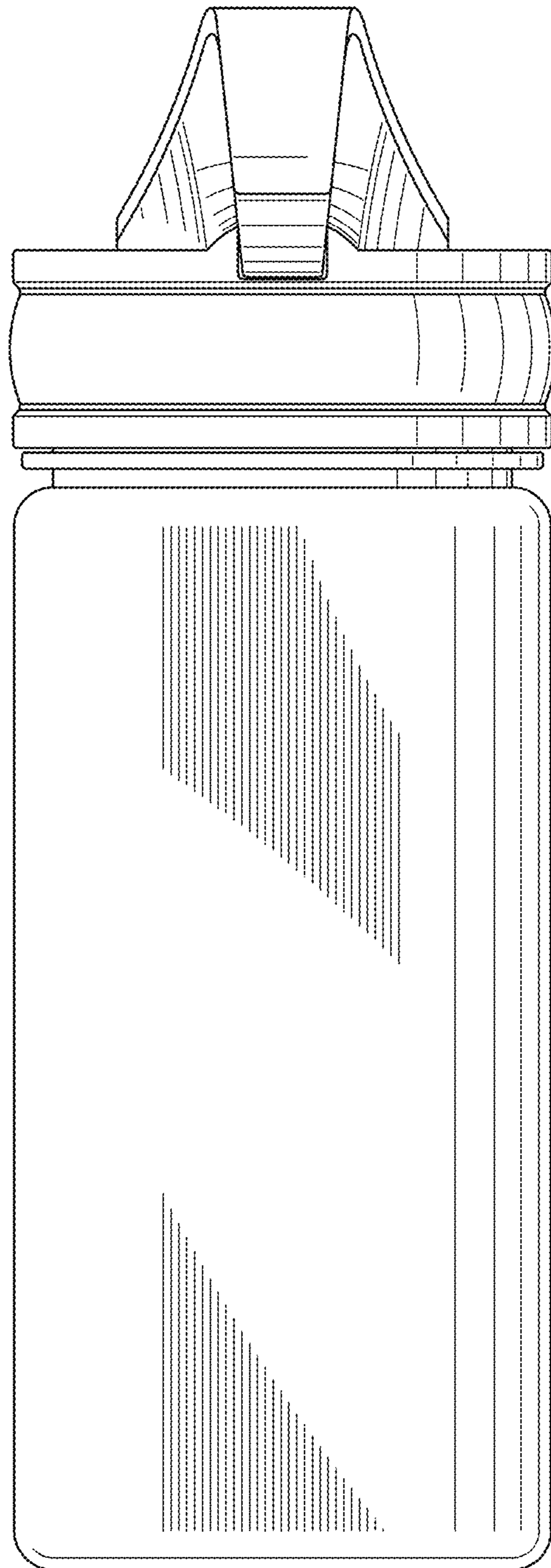
*Fig. 2*



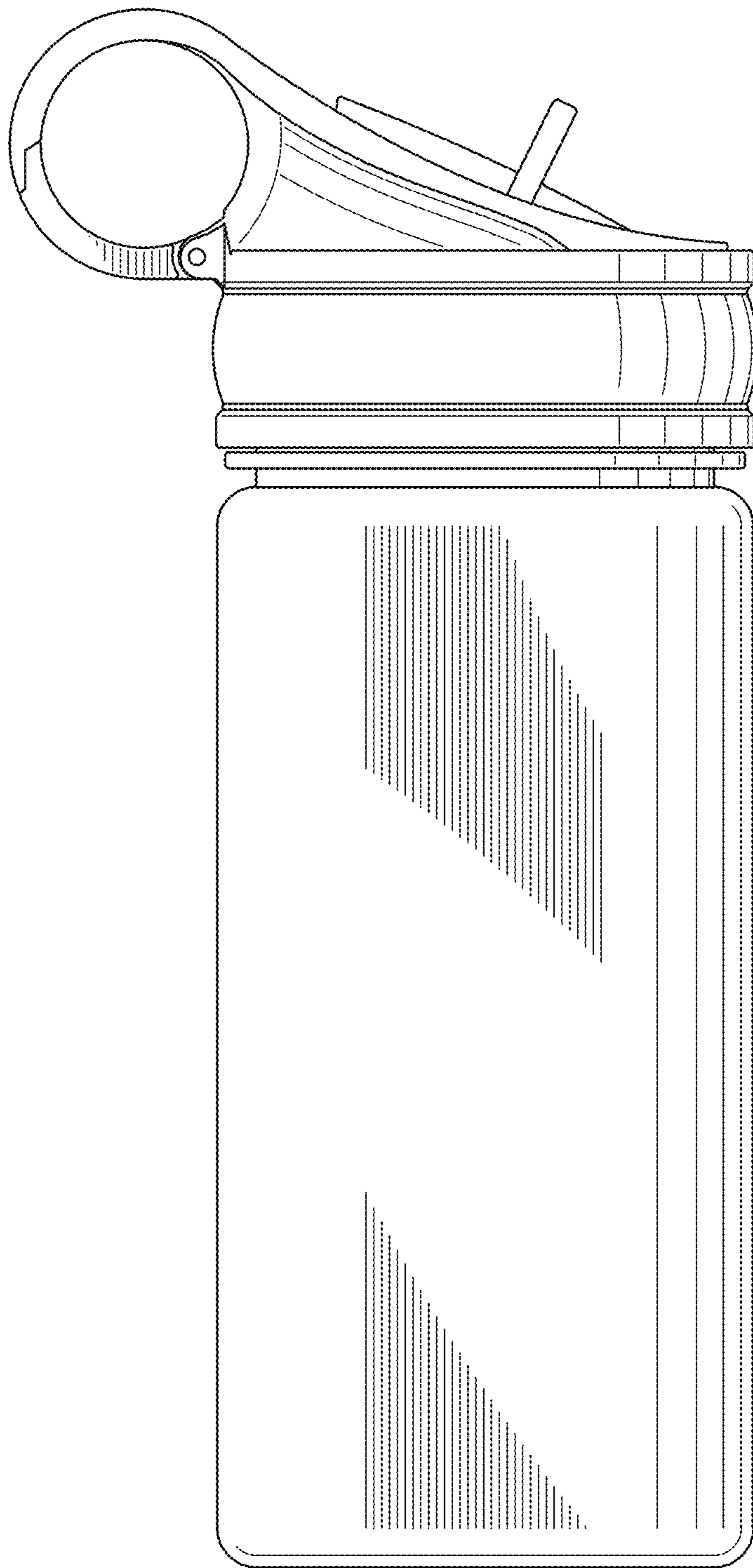
*Fig. 3*



*Fig. 4*

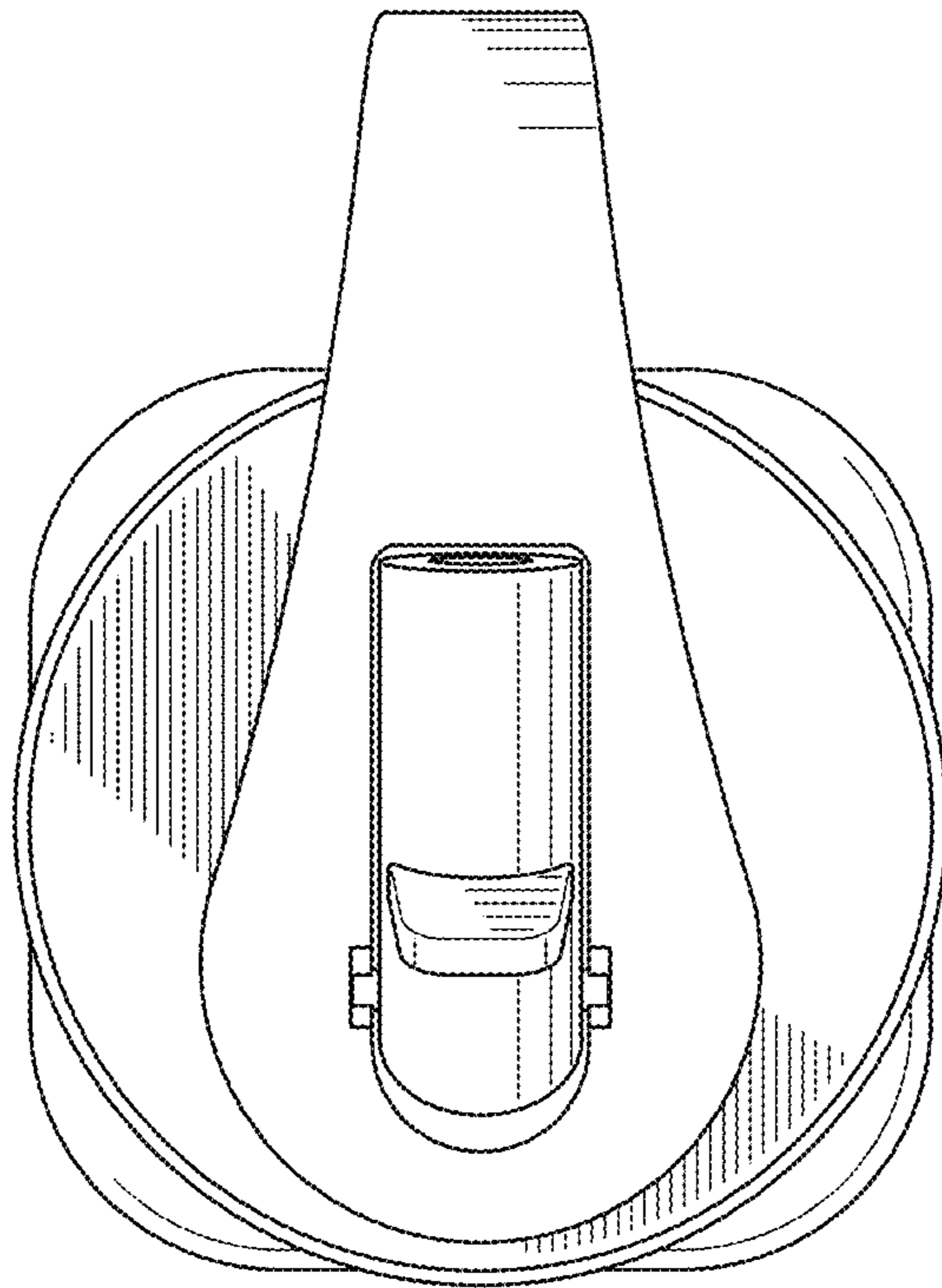


*Fig. 5*

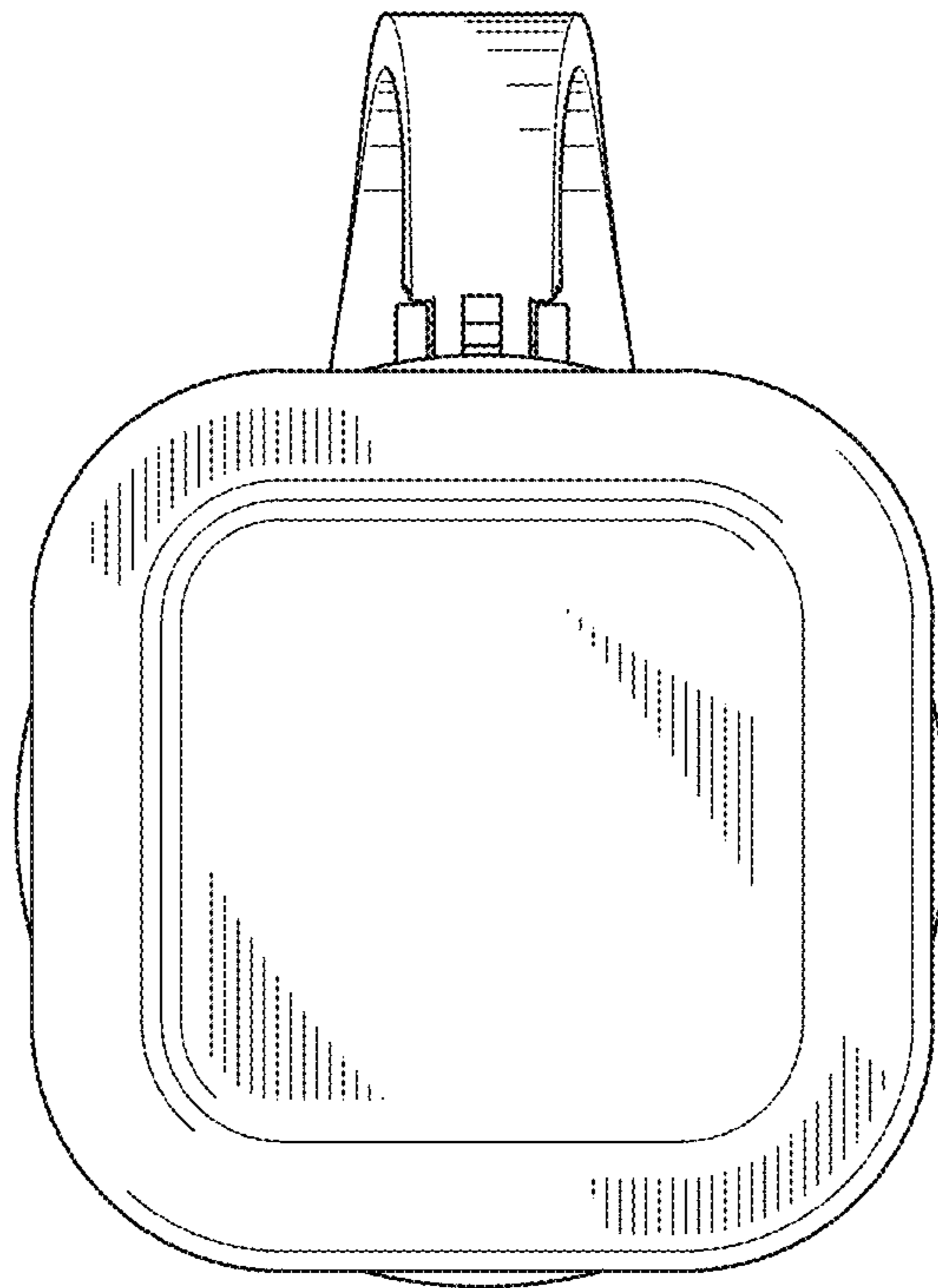


*Fig. 6*

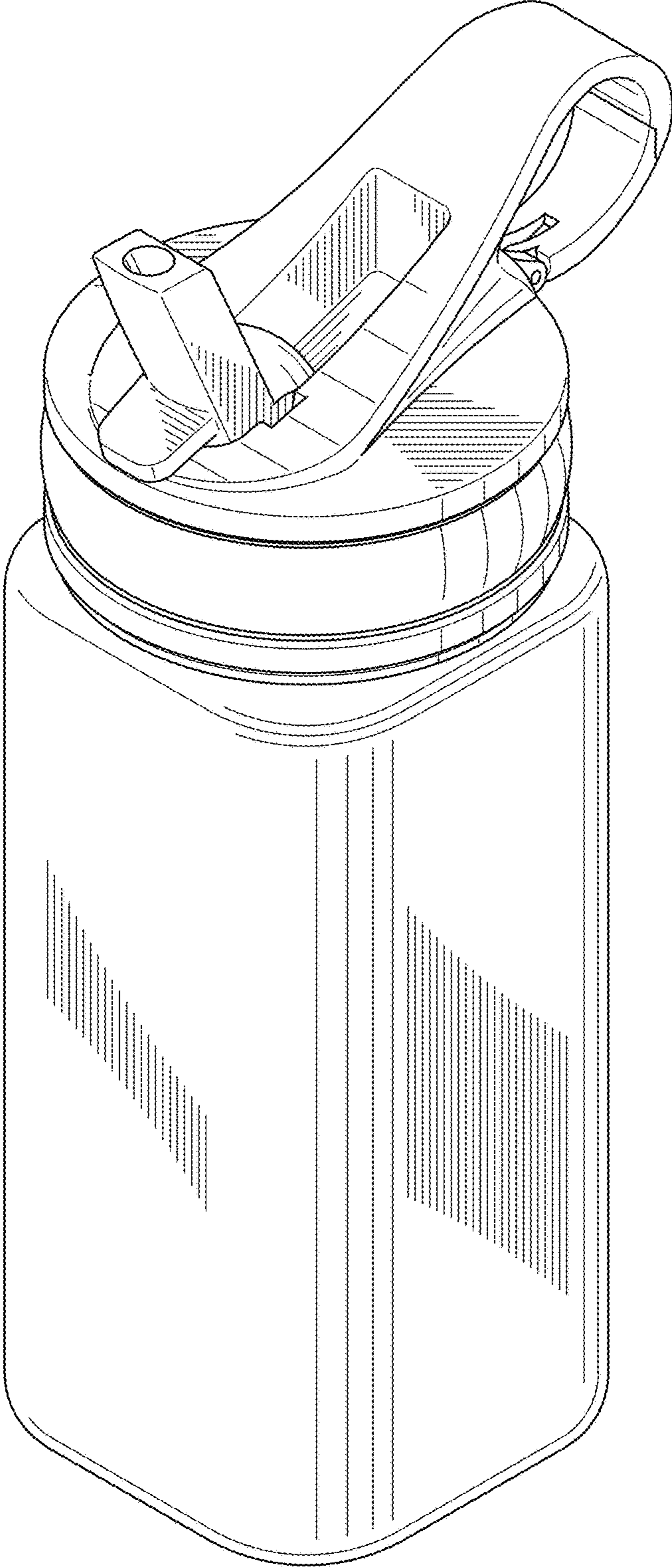




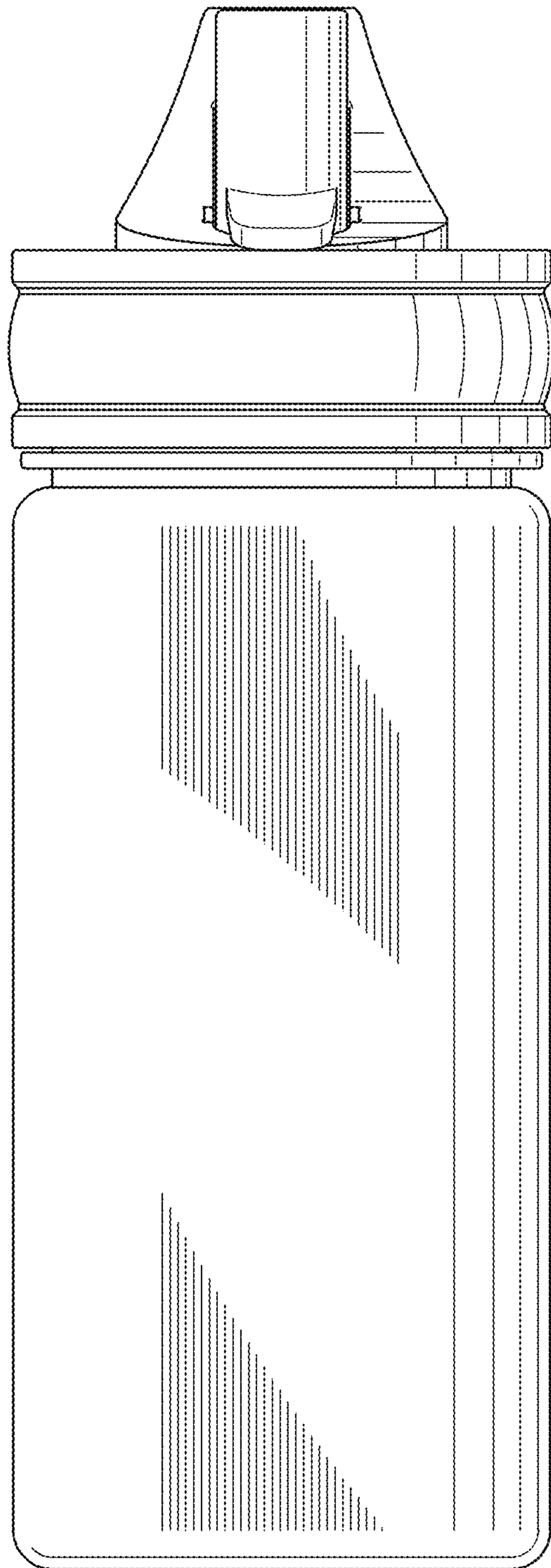
*Fig. 7*



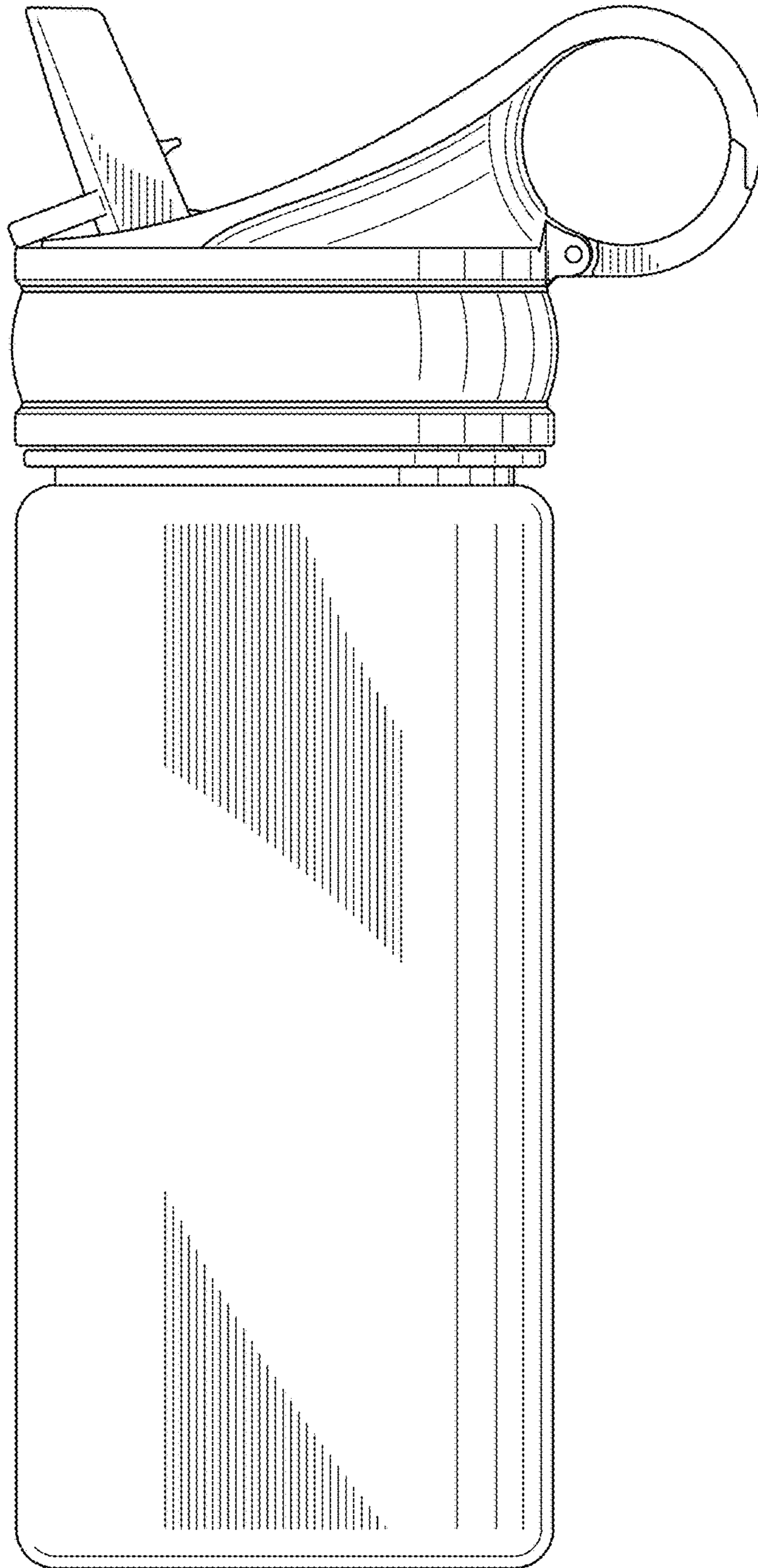
*Fig. 8*



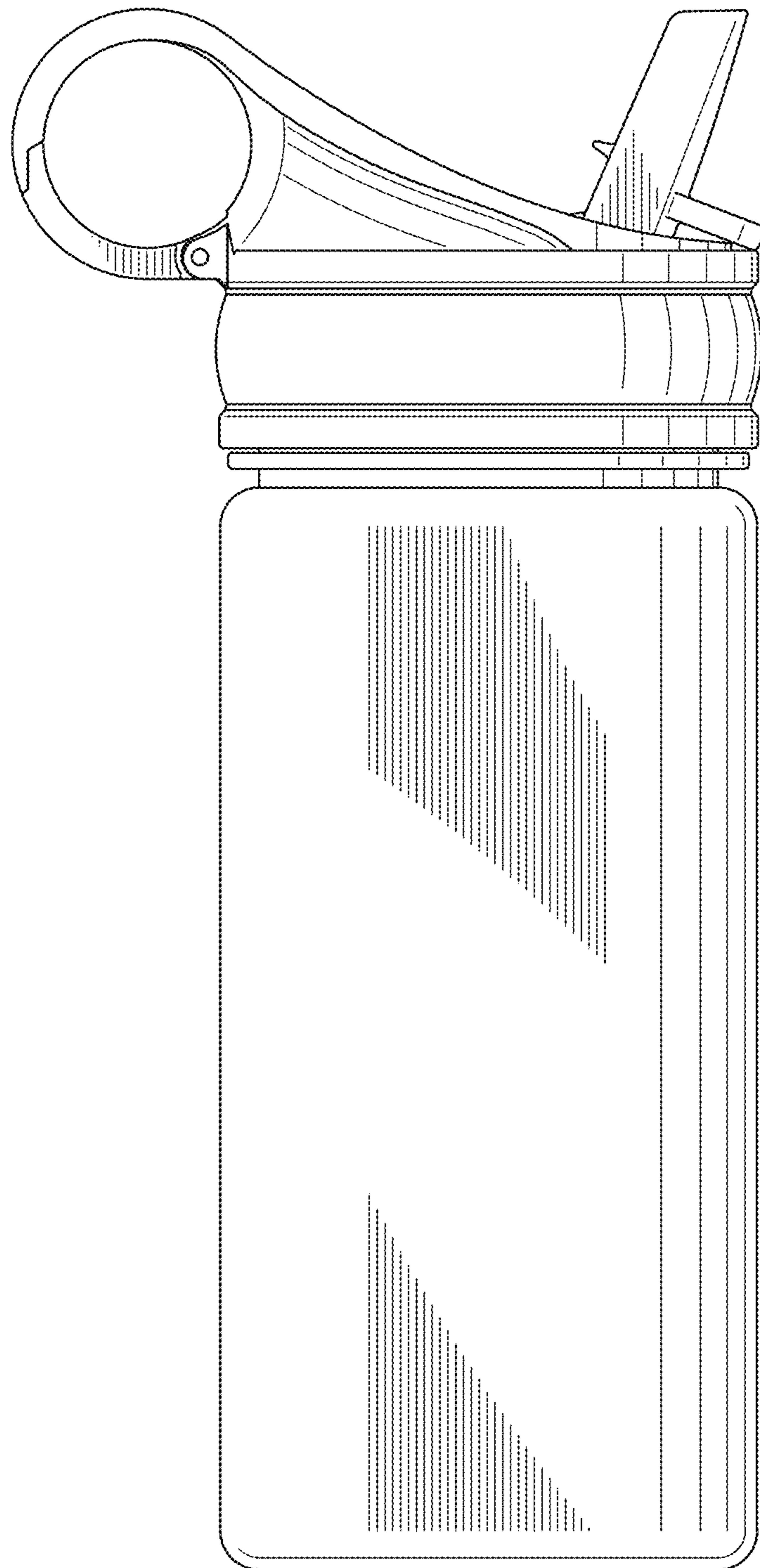
*Fig. 9*



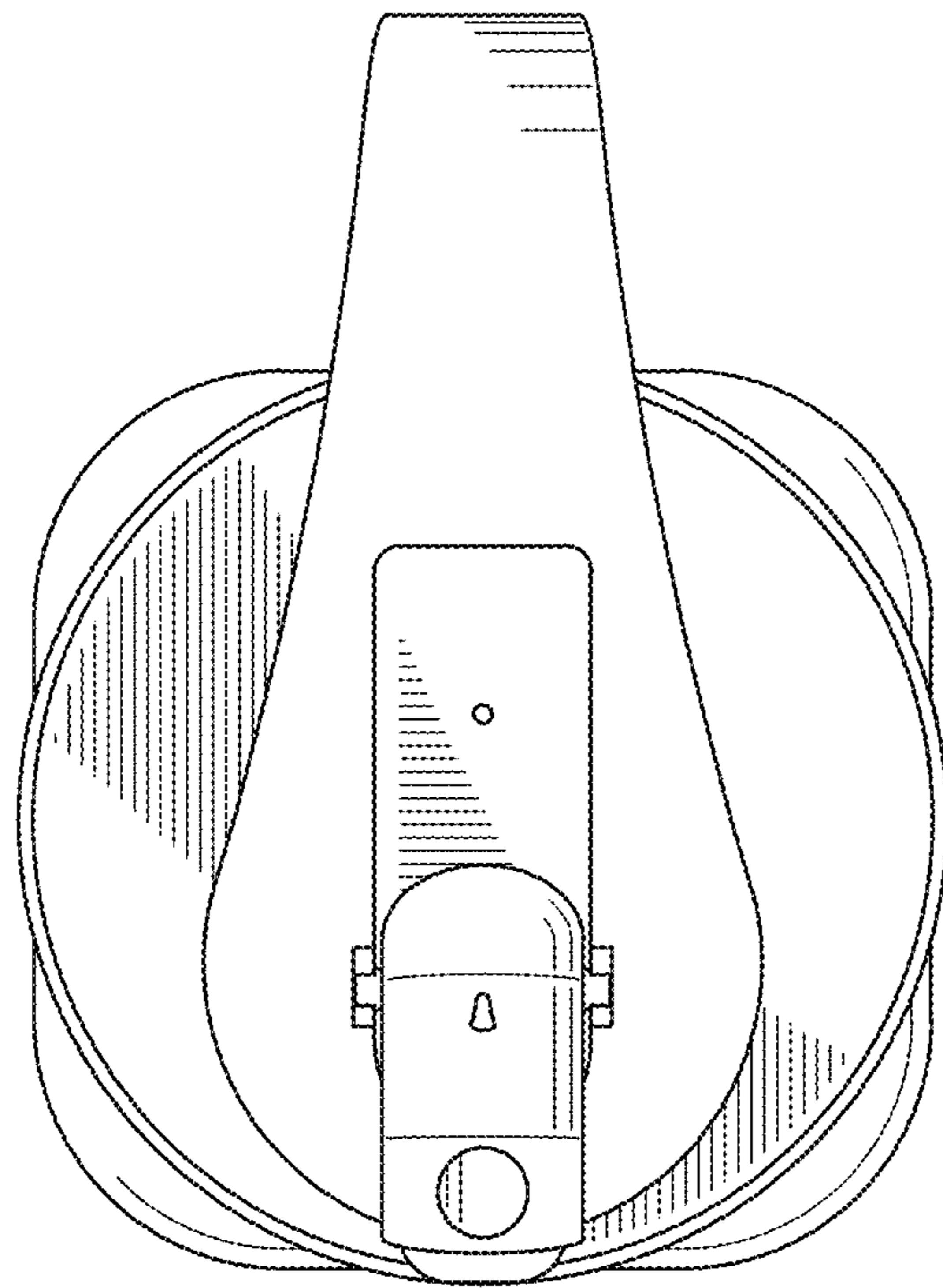
*Fig. 10*



*Fig. 11*



*Fig. 12*



*Fig. 13*