



US00D830768S

(12) **United States Design Patent** (10) **Patent No.:** **US D830,768 S**
Sowieja et al. (45) **Date of Patent:** **** Oct. 16, 2018**

(54) **VALVE**

FOREIGN PATENT DOCUMENTS

(71) Applicant: **Gehl Foods, LLC**, Germantown, WI (US)

EM 000574843-0003 8/2006
EP 0 150 144 7/1985

(Continued)

(72) Inventors: **Michael Sowieja**, Richfield, WI (US);
Thomas Mitchell, Chicago, IL (US);
Anders Olof Rostlund, Chicago, IL (US)

OTHER PUBLICATIONS

Dispenser Value With Chili Sauce Bag in Box by Gehls. dated Jan. 6, 2014. found online Apr. 28, 2018. <https://www.roundeyesupply.com/Gehls-Dispenser-Value-With-Chili-Sauce-Bag-In-Box-p/de439156.htm>.*

(Continued)

(73) Assignee: **Gehl Foods, LLC**, Germantown, WI (US)

(**) Term: **15 Years**

Primary Examiner — Brandon M Rosati

(21) Appl. No.: **29/553,384**

Assistant Examiner — Marissa J Cash

(22) Filed: **Feb. 1, 2016**

(74) *Attorney, Agent, or Firm* — Foley & Lardner LLP

Related U.S. Application Data

(62) Division of application No. 29/501,023, filed on Aug. 29, 2014.

(51) **LOC (11) Cl.** **07-01**

(52) **U.S. Cl.**

USPC **D7/398**

(58) **Field of Classification Search**

USPC D7/396.2, 507, 509, 510, 511, 398;
D9/434-455, 524, 682, 685, 694;
215/200, 235, 236, 252, 254, 329,
215/355-364; 220/203.04-203.07, 220,
220/254.1, 254.4, 556, 703, 704, 705;
D6/542-545

CPC A47J 47/01; A47J 36/00

See application file for complete search history.

(56) **References Cited**

U.S. PATENT DOCUMENTS

1,006,623 A 10/1911 Barrett
D50,625 S 4/1917 Lund
1,556,206 A 4/1923 Dickey
1,528,283 A 3/1925 Whitesides
1,576,388 A 3/1926 Whitesides

(Continued)

(57) **CLAIM**

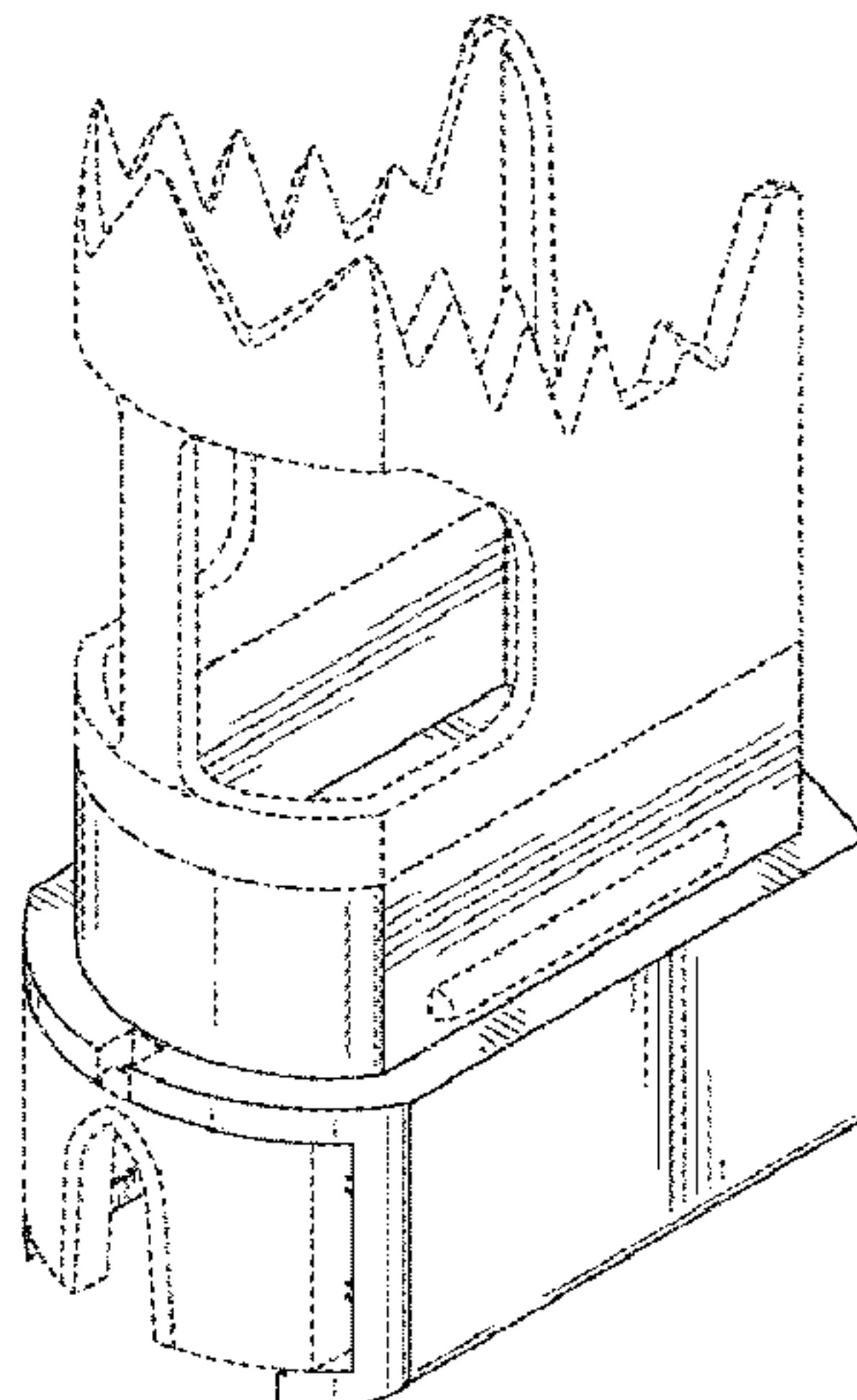
We claim the ornamental design for a valve, as shown and described.

DESCRIPTION

FIG. 1 is a top, rear, left perspective view of a valve, showing our new design;
FIG. 2 is a bottom, front, right perspective view thereof;
FIG. 3 is a rear elevation view thereof;
FIG. 4 is a front elevation view thereof;
FIG. 5 is a left elevation view thereof;
FIG. 6 is a right elevation view thereof;
FIG. 7 is a top plan view thereof; and,
FIG. 8 is a bottom plan view thereof.

The ornamental design which is claimed is shown in solid lines in the drawings. The broken lines in the drawings form no part of the claimed design. Broken lines formed by equal length dashes show unclaimed subject matter. Broken lines formed by unequal length dashes (i.e., dash-dot) define bounds of the claimed design.

1 Claim, 6 Drawing Sheets



(56)

References Cited

U.S. PATENT DOCUMENTS

| | | | | | |
|---------------|---------|-----------------------------------|--------------|---------|----------------------|
| D83,729 S | 3/1931 | Hills | 5,142,610 A | 8/1992 | Augustine et al. |
| 1,859,126 A | 5/1932 | Boeuf | 5,150,802 A | 9/1992 | Jeffers |
| 1,912,304 A | 5/1933 | Phillips | 5,158,210 A | 10/1992 | Du |
| 2,244,071 A | 6/1941 | Landrus | 5,230,443 A | 7/1993 | Du |
| 2,442,126 A | 5/1948 | Halstead | D345,085 S | 3/1994 | Sewell |
| 2,609,122 A | 9/1952 | Stenerson | 5,325,995 A | 7/1994 | Harrison et al. |
| D173,909 S | 1/1955 | Muller-Munk | 5,337,775 A | 8/1994 | Lane et al. |
| 2,713,988 A | 7/1955 | Kitterman | 5,350,083 A | 9/1994 | Du |
| 2,737,880 A | 3/1956 | Johnson | 5,361,943 A | 11/1994 | Du |
| 2,775,368 A | 12/1956 | De Vries | 5,428,066 A | 6/1995 | Larner et al. |
| 2,845,201 A | 4/1958 | Henry | 5,429,681 A | 7/1995 | Mesenbring |
| D183,532 S | 9/1958 | McCauley | 5,435,463 A | 7/1995 | Hodgson |
| D184,606 S | 3/1959 | Cramer et al. | 5,435,466 A | 7/1995 | Du |
| D185,626 S | 7/1959 | Craig et al. | D365,962 S | 1/1996 | Amundsen et al. |
| D185,833 S | 8/1959 | Bruntjen | 5,490,613 A | 2/1996 | Taylor et al. |
| D194,658 S | 2/1963 | Gilson | D372,650 S | 8/1996 | Bundy |
| 3,089,619 A | 5/1963 | Kass et al. | 5,573,047 A | 11/1996 | Akin |
| 3,114,480 A | 12/1963 | Sauter | 5,579,945 A | 12/1996 | Ichikawa et al. |
| D199,046 S | 9/1964 | Felske | 5,579,959 A | 12/1996 | Bennett et al. |
| 3,173,579 A | 3/1965 | Curie et al. | 5,622,484 A | 4/1997 | Taylor-McCune et al. |
| 3,239,104 A | 3/1966 | Scholle | 5,624,056 A | 4/1997 | Martindale |
| 3,248,011 A | 4/1966 | Brodsky et al. | D384,863 S | 10/1997 | Danemayer |
| D204,822 S * | 5/1966 | Burker D23/206 | D385,715 S | 11/1997 | Curry |
| D205,702 S | 9/1966 | Christine et al. | D390,753 S | 2/1998 | Danemayer |
| 3,312,468 A | 4/1967 | Lynch | D392,843 S | 3/1998 | Mulvihill |
| 3,343,724 A | 9/1967 | Malpas | 5,752,319 A | 5/1998 | Su et al. |
| D209,127 S | 10/1967 | Martin | D398,964 S | 9/1998 | Doughty et al. |
| 3,366,278 A | 1/1968 | Fobes | 5,803,317 A | 9/1998 | Wheeler |
| 3,369,720 A * | 2/1968 | Libit B65D 45/02 222/517 | 5,833,120 A | 11/1998 | Evans et al. |
| 3,387,903 A | 6/1968 | Karlen | 5,836,482 A | 11/1998 | Ophardt et al. |
| 3,445,039 A | 5/1969 | Brodsky et al. | 5,845,812 A | 12/1998 | Morrison |
| D215,045 S | 8/1969 | Benjamin | D408,667 S | 4/1999 | Curry |
| 3,549,049 A | 12/1970 | Weber | 6,003,733 A | 12/1999 | Wheeler |
| 3,881,641 A | 5/1975 | Pliml et al. | 6,016,935 A | 1/2000 | Huegerich et al. |
| 3,924,777 A | 12/1975 | Peyser | 6,036,166 A | 3/2000 | Olson |
| D240,108 S | 6/1976 | McGrew | D425,792 S | 5/2000 | Haller |
| 4,018,357 A | 4/1977 | Ostrem | 6,056,157 A | 5/2000 | Gehl et al. |
| 4,049,157 A | 9/1977 | Carson | 6,082,587 A | 7/2000 | Martindale et al. |
| 4,176,767 A | 12/1979 | Franche, IV | 6,089,406 A | 7/2000 | Feldner |
| 4,214,675 A | 7/1980 | Schmit | 6,138,878 A | 10/2000 | Savage et al. |
| 4,314,654 A | 2/1982 | Gaubert | 6,142,340 A | 11/2000 | Watanabe et al. |
| 4,322,019 A | 3/1982 | Smith | 6,158,623 A | 12/2000 | Benavides et al. |
| 4,416,395 A | 11/1983 | Gaubert | 6,189,736 B1 | 2/2001 | Phallen et al. |
| 4,417,672 A | 11/1983 | Eppenbach | 6,193,111 B1 | 2/2001 | Adams |
| 4,440,316 A | 4/1984 | Christine | 6,196,420 B1 | 3/2001 | Gutierrez et al. |
| D277,633 S | 2/1985 | McClellan | 6,223,944 B1 | 5/2001 | Gehl et al. |
| 4,497,351 A | 2/1985 | Garcia | 6,227,420 B1 | 5/2001 | Jepson |
| 4,513,885 A | 4/1985 | Hogan | 6,273,297 B1 | 8/2001 | Schalow et al. |
| 4,515,294 A | 5/1985 | Udall | D448,633 S | 10/2001 | Langlois |
| D282,617 S | 2/1986 | Hogan | D453,663 S | 2/2002 | Mori |
| 4,602,725 A | 7/1986 | Malpas et al. | 6,345,734 B2 | 2/2002 | Schalow et al. |
| 4,621,750 A | 11/1986 | Roethel | 6,378,730 B1 | 4/2002 | Reddy et al. |
| D290,074 S | 6/1987 | Braun | 6,405,897 B1 | 6/2002 | Jepson et al. |
| 4,690,307 A | 9/1987 | Hogan | 6,419,121 B1 | 7/2002 | Gutierrez et al. |
| 4,712,714 A | 12/1987 | Mucciarone | D467,477 S | 12/2002 | Berens et al. |
| 4,724,981 A | 2/1988 | Realmuto | 6,488,179 B1 | 12/2002 | Vujicic et al. |
| D296,405 S | 6/1988 | Weaver | D486,698 S | 2/2004 | Hutchison |
| D297,105 S | 8/1988 | Hollinshead | 6,691,894 B2 | 2/2004 | Chrisman et al. |
| 4,776,488 A | 10/1988 | Gurzan | 6,698,624 B2 | 3/2004 | Ufheil et al. |
| 4,795,062 A | 1/1989 | Bedwell et al. | 6,708,741 B1 | 3/2004 | Berry et al. |
| 4,846,236 A | 7/1989 | Deruntz | 6,722,530 B1 | 4/2004 | King et al. |
| 4,856,681 A | 8/1989 | Murray | 6,726,061 B2 | 4/2004 | Good |
| 4,913,713 A | 4/1990 | Bender et al. | 6,814,262 B1 | 11/2004 | Adams et al. |
| 4,925,034 A | 5/1990 | Robichaud et al. | 6,860,407 B2 | 3/2005 | Gosselin |
| 4,946,040 A | 8/1990 | Ipenburg | 6,871,015 B2 | 3/2005 | Gutierrez et al. |
| 4,961,508 A | 10/1990 | Weimer et al. | D506,369 S | 6/2005 | Norton |
| 4,997,108 A | 3/1991 | Hata | D509,137 S | 9/2005 | Hierzer et al. |
| D321,453 S | 11/1991 | Ophardt | 6,938,801 B1 | 9/2005 | Reddy et al. |
| 5,102,015 A | 4/1992 | Barnard et al. | D515,919 S | 2/2006 | Hierzer et al. |
| D327,432 S | 6/1992 | Farricielli | 7,007,824 B2 | 3/2006 | Danby et al. |
| 5,125,542 A | 6/1992 | Blanc | 7,025,230 B1 | 4/2006 | Salmela |
| D328,007 S | 7/1992 | Mondry et al. | 7,147,134 B2 | 12/2006 | Gutierrez et al. |
| D328,008 S | 7/1992 | Avery | 7,278,553 B2 | 10/2007 | Py et al. |
| D328,220 S | 7/1992 | Barnard et al. | 7,322,491 B2 | 1/2008 | Py et al. |
| | | | 7,357,277 B2 | 4/2008 | Verespej et al. |
| | | | 7,455,200 B2 | 11/2008 | Gehl et al. |
| | | | D583,022 S | 12/2008 | Soulier |
| | | | D585,965 S | 2/2009 | Kohler et al. |
| | | | D589,123 S | 3/2009 | Soulier |

(56)

References Cited

U.S. PATENT DOCUMENTS

7,651,015 B2 1/2010 Girard et al.
 D613,558 S 4/2010 Gold et al.
 7,731,060 B2 6/2010 Jones
 7,789,269 B2 9/2010 Pritchard
 D627,223 S * 11/2010 Storti D9/443
 D628,035 S 11/2010 Paige
 7,828,020 B2 11/2010 Girard et al.
 7,850,051 B2 12/2010 Py et al.
 D632,144 S 2/2011 Weisenbach
 7,980,424 B2 7/2011 Johnson
 8,091,735 B2 1/2012 Girard et al.
 8,146,780 B2 4/2012 Compton et al.
 D659,008 S 5/2012 Gately et al.
 8,205,771 B2 6/2012 Compton
 8,206,034 B2 6/2012 Keen et al.
 D671,620 S 11/2012 March et al.
 8,336,740 B1 12/2012 Daansen
 8,353,428 B2 1/2013 Pritchard
 8,371,476 B2 2/2013 Weissbrod
 8,474,495 B2 7/2013 Singleton et al.
 8,528,807 B2 9/2013 Kaneko
 D696,943 S 1/2014 Kim
 8,887,960 B2 11/2014 Hardman
 D718,621 S 12/2014 Mitchell et al.
 D719,403 S 12/2014 Halioua
 D720,188 S 12/2014 Burke et al.
 D731,273 S 6/2015 McPeak Ford et al.
 D731,310 S 6/2015 Demey et al.
 9,045,260 B2 6/2015 Norris et al.
 D754,536 S 4/2016 Arriaga
 D755,045 S 5/2016 Kuo
 D758,810 S 6/2016 Peterson et al.
 9,370,273 B2 6/2016 Li et al.
 D763,077 S 8/2016 Mitchell et al.
 D764,912 S 8/2016 Houyoux
 9,585,513 B2 3/2017 Hanes et al.
 D782,907 S 4/2017 Sowieja et al.
 D792,164 S 7/2017 Mitchell et al.
 9,717,354 B2 8/2017 Gehl et al.
 D798,106 S 9/2017 Sowieja et al.
 2002/0092879 A1 7/2002 Chrisman et al.
 2002/0179605 A1 12/2002 Miani et al.
 2003/0015556 A1 1/2003 Wild et al.
 2003/0066978 A1 4/2003 Enerson
 2003/0116584 A1 6/2003 Gutierrez et al.
 2004/0222233 A1 11/2004 Gosselin
 2004/0238563 A1 12/2004 Lin
 2005/0121464 A1 6/2005 Miller et al.
 2005/0167443 A1 8/2005 Sanfilippo et al.
 2005/0167444 A1 8/2005 Sanfilippo et al.
 2005/0252937 A1 11/2005 Gehl et al.
 2006/0011640 A1 1/2006 Shaygan
 2006/0071020 A1 4/2006 Wiesner et al.
 2006/0138167 A1 6/2006 McMahan et al.
 2007/0029343 A1 2/2007 Sanfilippo et al.
 2008/0029540 A1 2/2008 Johnson
 2008/0078781 A1 4/2008 Py et al.

2008/0083788 A1 4/2008 Py et al.
 2008/0105701 A1 5/2008 Niss et al.
 2008/0116225 A1 5/2008 Py et al.
 2008/0116226 A1 5/2008 Py et al.
 2008/0169309 A1 7/2008 Kroeger
 2008/0314923 A1 * 12/2008 Faller G07F 11/24
 222/101
 2009/0020559 A1 1/2009 Sanfilippo et al.
 2009/0283541 A1 11/2009 Compton et al.
 2010/0038380 A1 2/2010 Compton
 2010/0147884 A1 6/2010 Compton et al.
 2010/0176155 A1 7/2010 Baron et al.
 2010/0264146 A1 10/2010 Casale et al.
 2010/0288767 A1 11/2010 Seelhofer
 2011/0017774 A1 1/2011 Pritchard
 2011/0024463 A1 2/2011 Py et al.
 2011/0042410 A1 2/2011 Paulen
 2012/0046785 A1 2/2012 Deo et al.
 2012/0152976 A1 7/2012 Yoshida et al.
 2012/0211519 A1 8/2012 Hauner et al.
 2015/0102057 A1 4/2015 Gehl et al.
 2017/0121167 A1 * 5/2017 Johnson B67D 3/0022
 2017/0251846 A1 9/2017 Sowieja et al.
 2017/0251847 A1 9/2017 Gehl et al.

FOREIGN PATENT DOCUMENTS

EP 0 538 91 2/1986
 EP 0 962 421 12/1999
 GB 2 154 991 9/1985
 JP H09-104474 4/1997
 KR 1020120099678 9/2012
 TW D122024 3/2008
 TW D122218 4/2008
 TW D165705 2/2015
 WO WO-2013/029163 3/2013

OTHER PUBLICATIONS

DS Smith Plastics, <http://www.dssmith.com/plastics/offering/flexible-packaging--dispensing-solutions/rapak/rapak-bags/>, date accessed: Sep. 30, 2014, 3 pages.
 International Preliminary Report on Patentability for Application No. PCT/US2014/059119, dated Apr. 21, 2016, 10 pages.
 International Search Report and Written Opinion for International Application No. PCT/US2014/059119, dated Feb. 25, 2015, 12 pages.
 International Search Report and Written Opinion for International Application No. PCT/US2015/047491, dated Oct. 29, 2015, 14 pages.
 Liqui-Box, "Fitments", <http://www.liquibox.com/fitments>, date accessed: Sep. 26, 2014, 2 pages.
 Scholle Packaging, <http://www.scholle.com/products>, date accessed: Sep. 30, 2014, 3 pages.
 Communication pursuant to Rule 164(1) from the European Patent Office regarding European Application No. 15835591.7 dated Apr. 11, 2018, 16 pps.

* cited by examiner

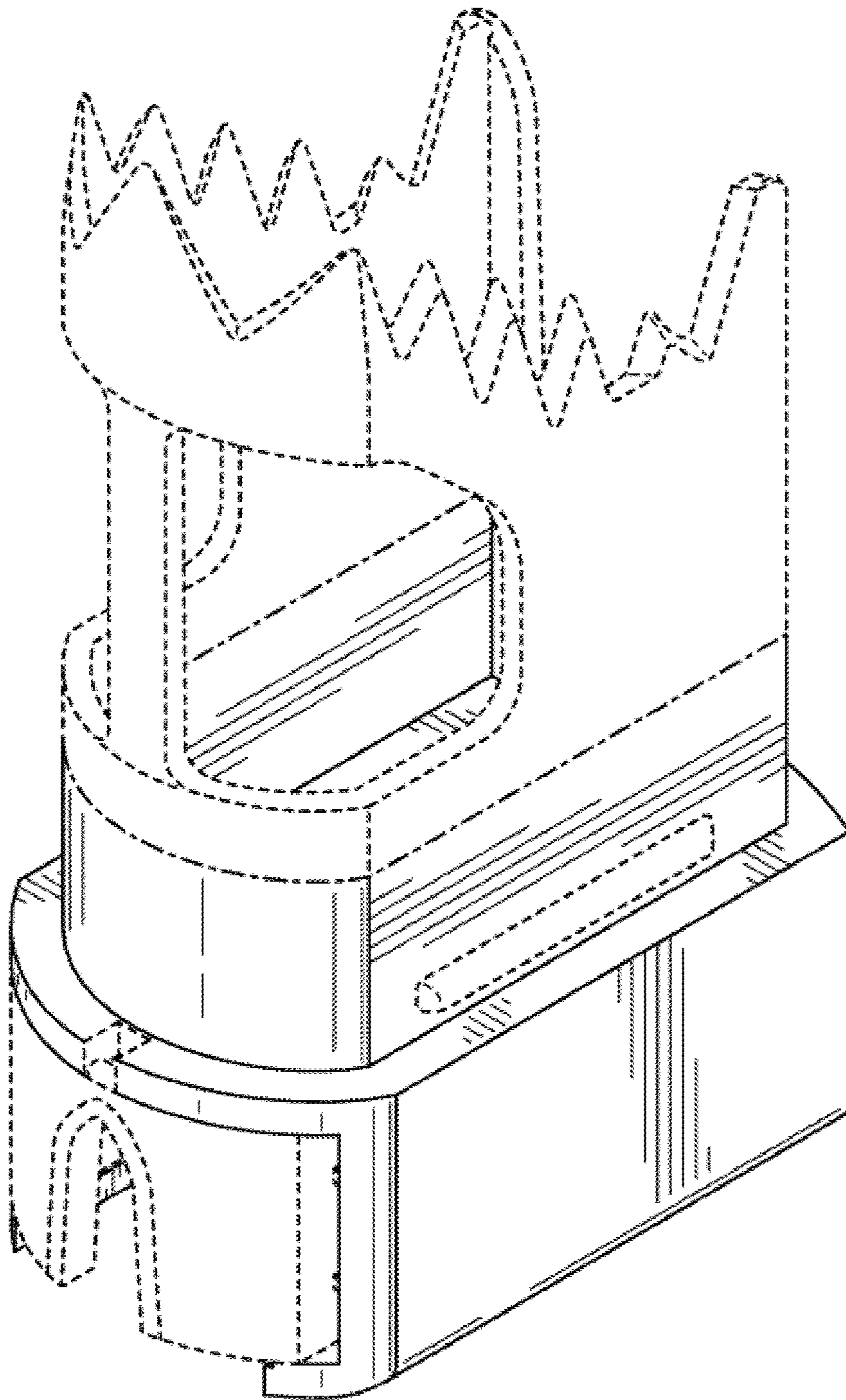


FIG. 1

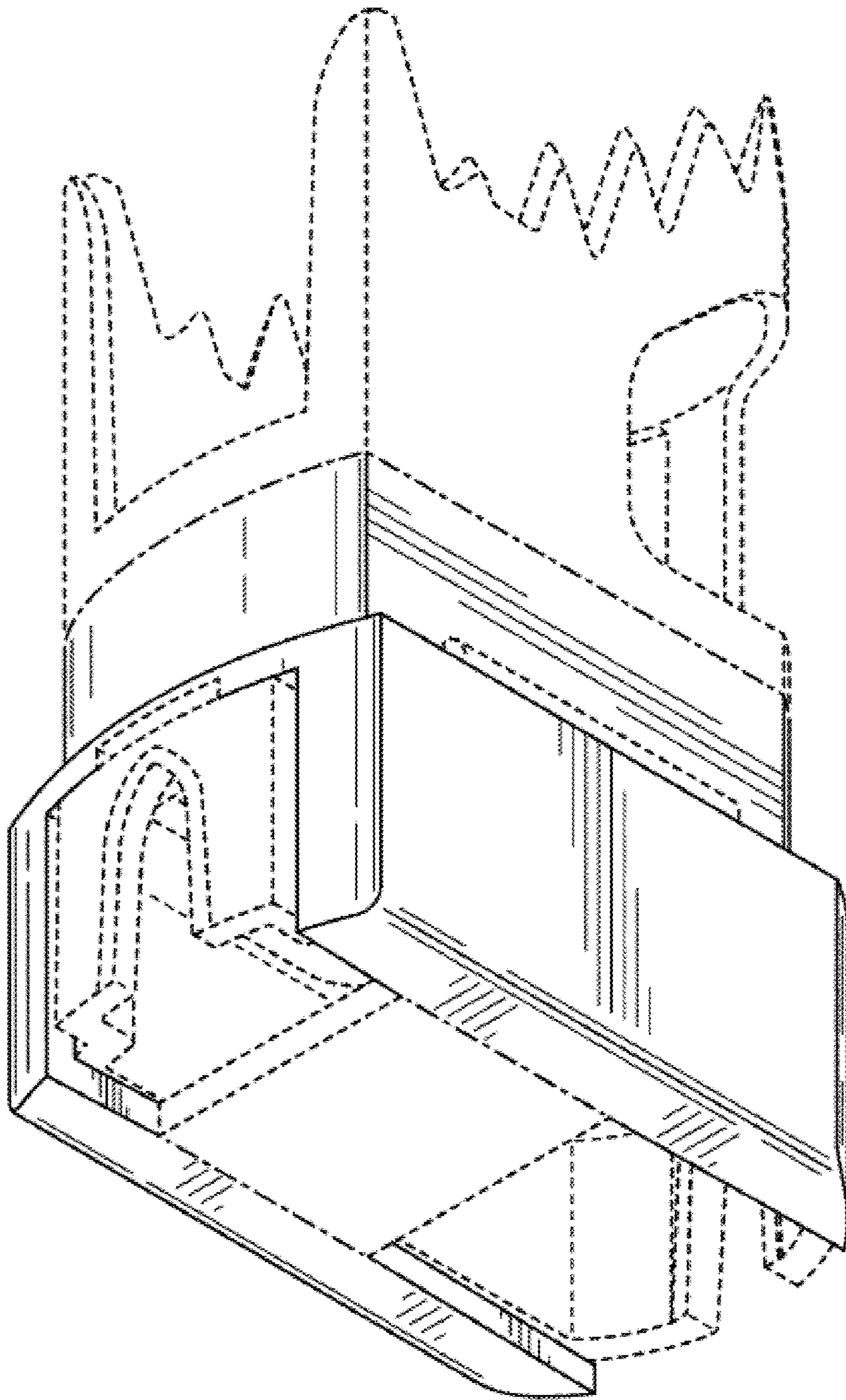


FIG. 2

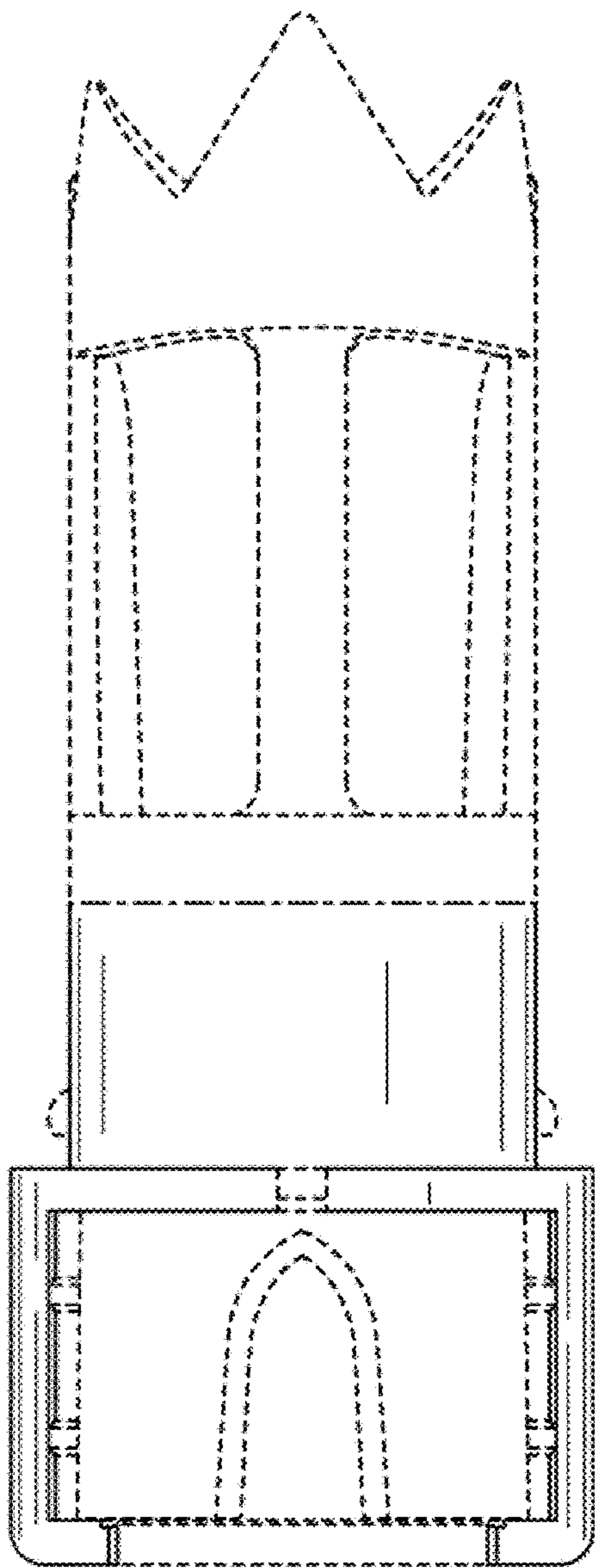


FIG. 3

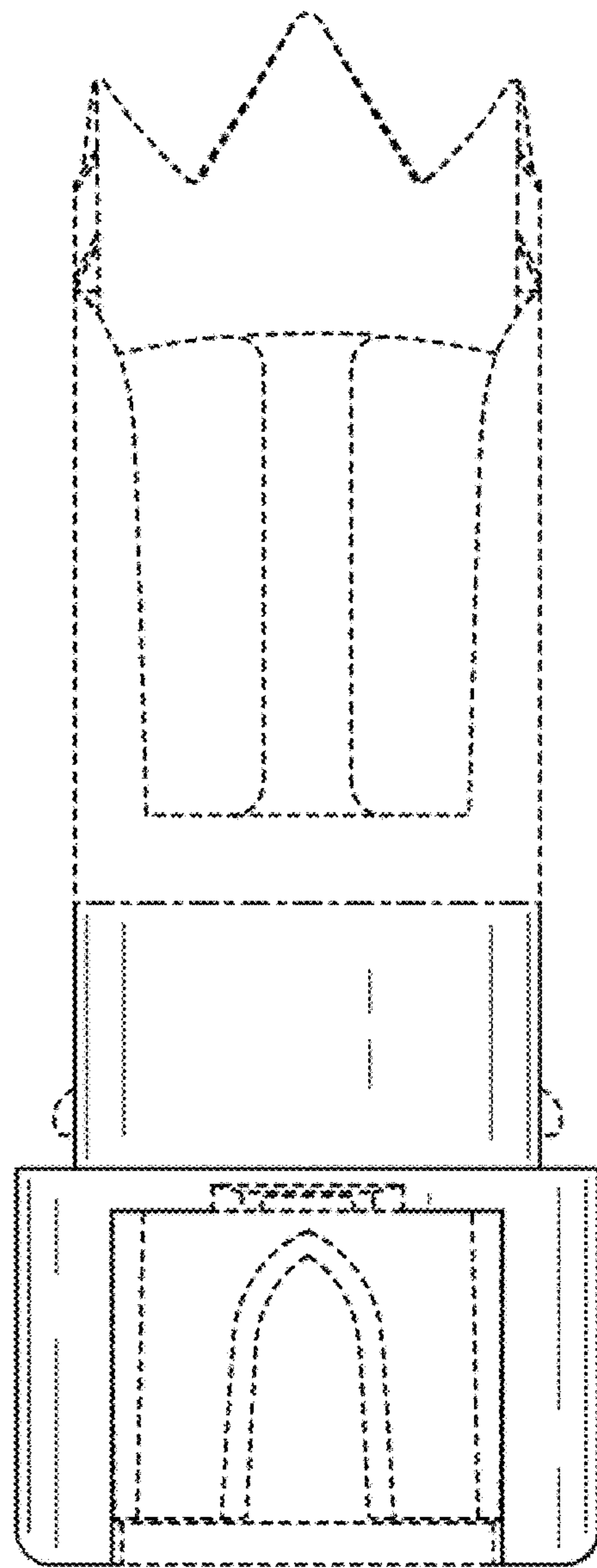


FIG. 4

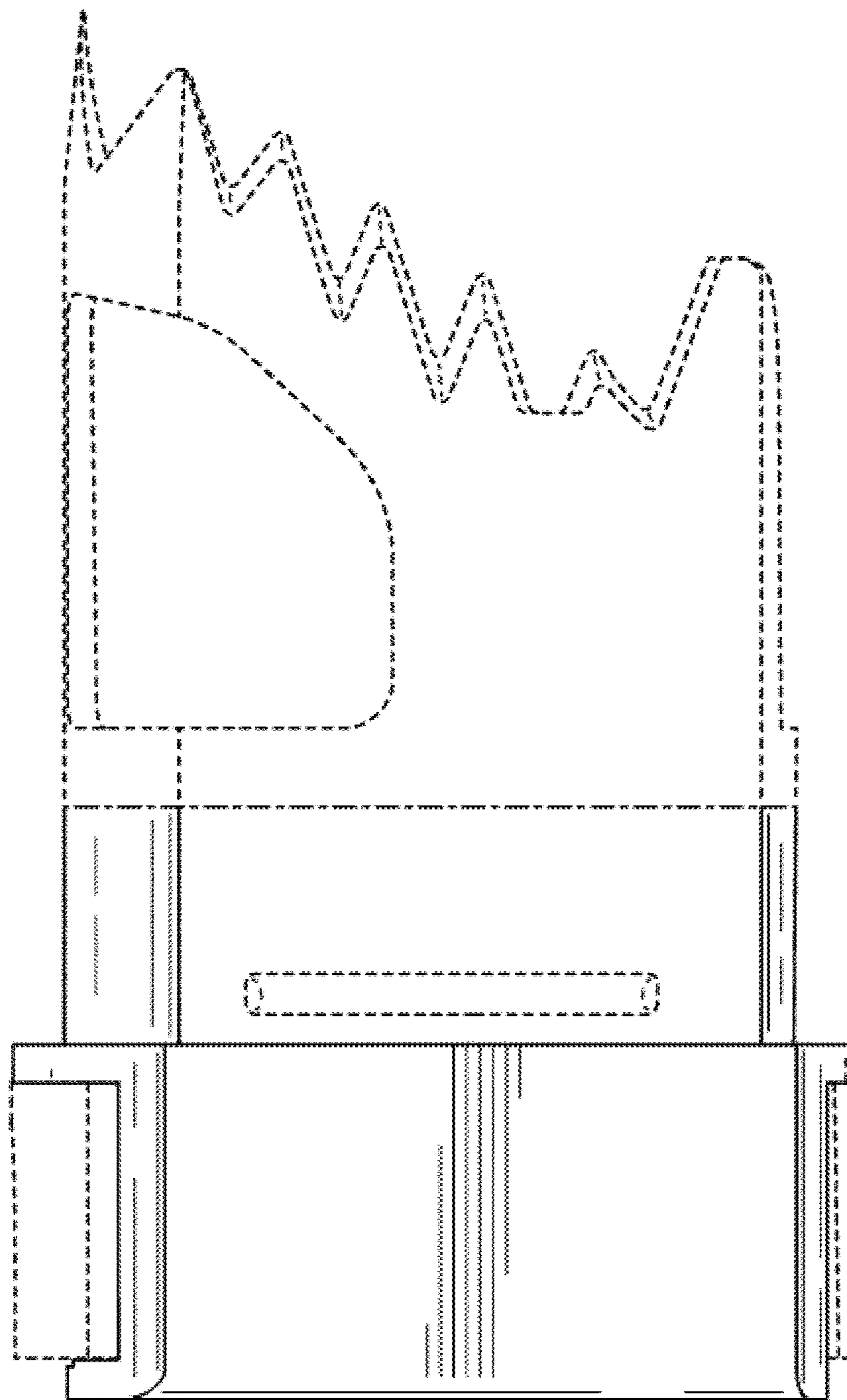


FIG. 5

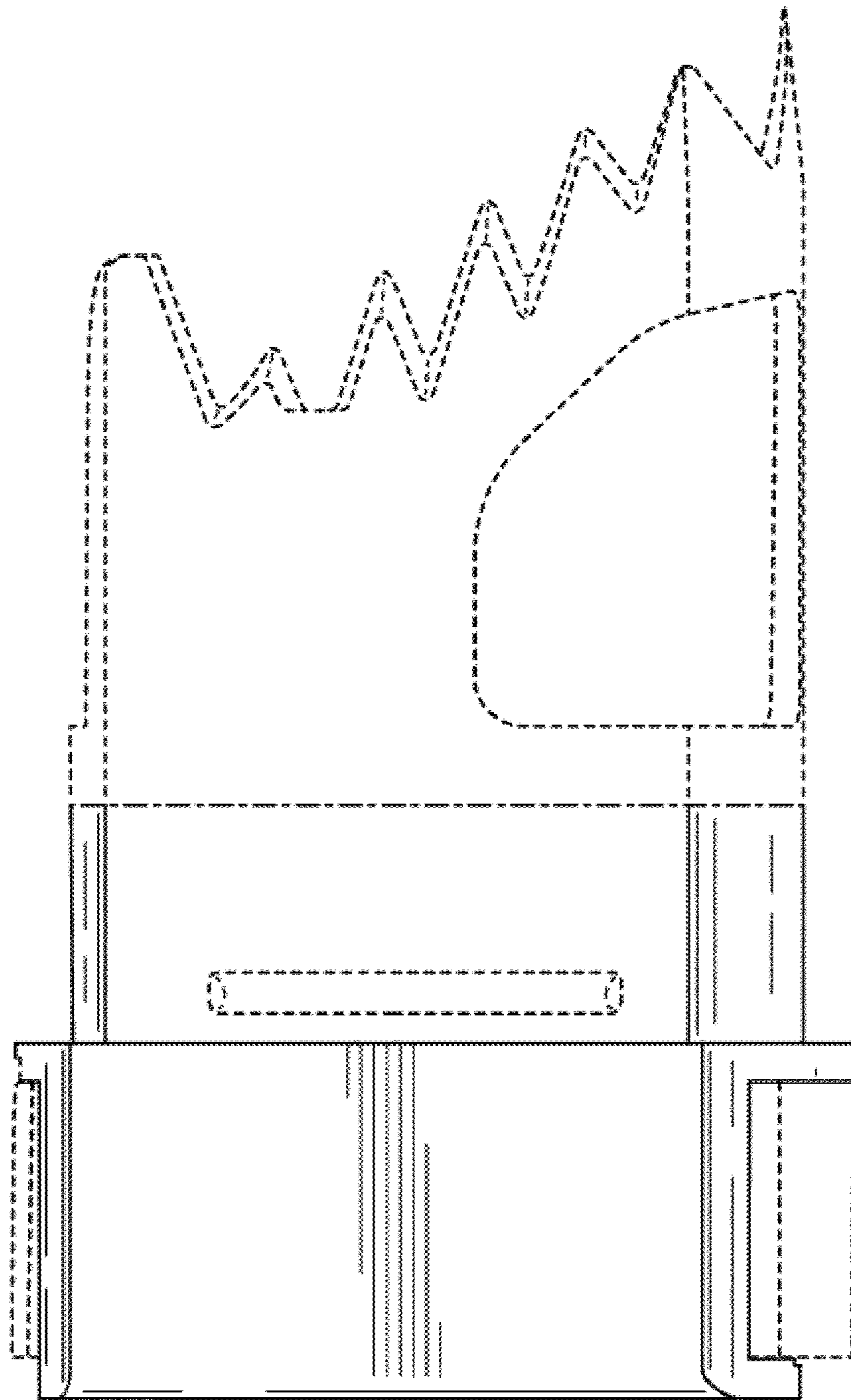


FIG. 6

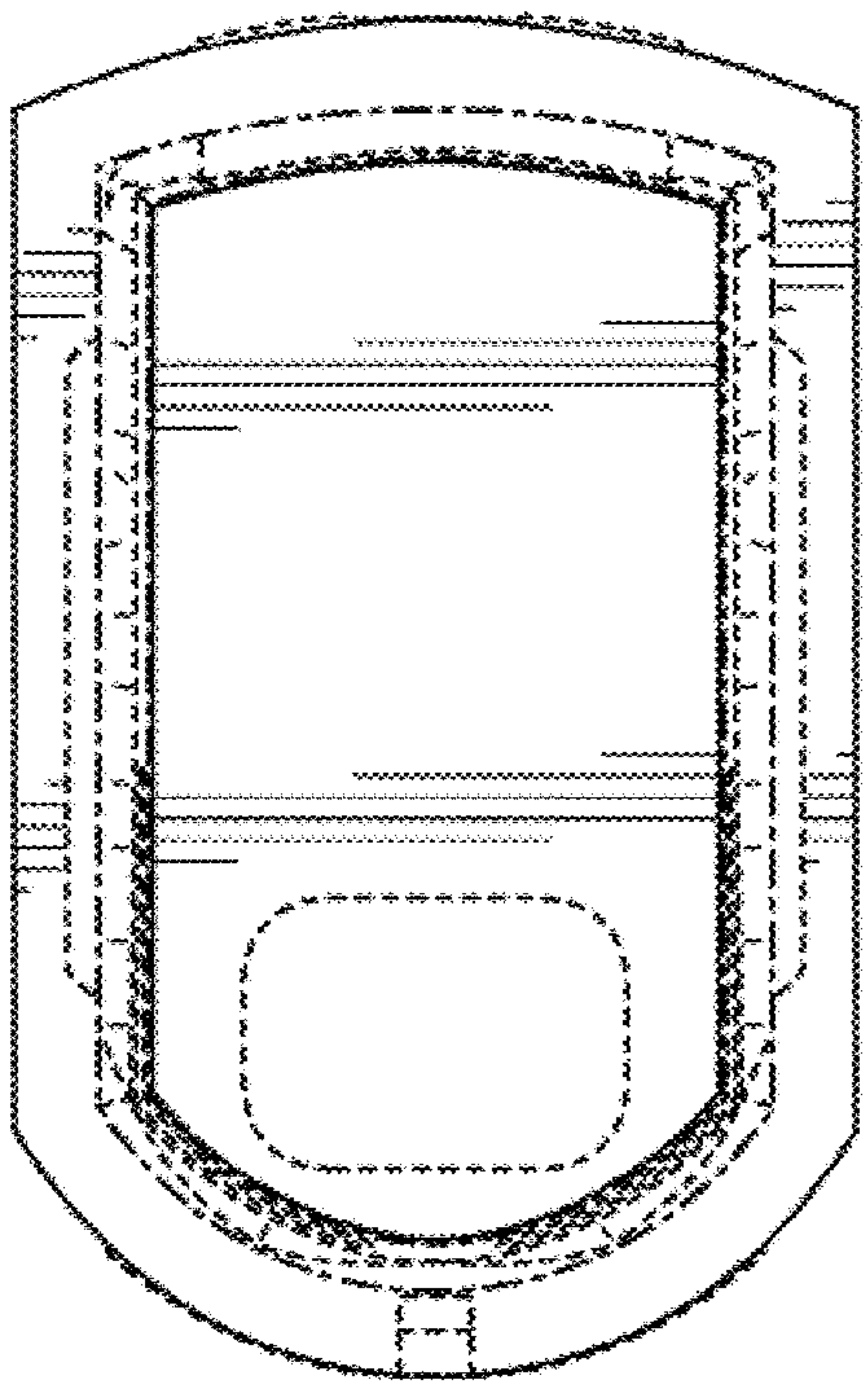


FIG. 7

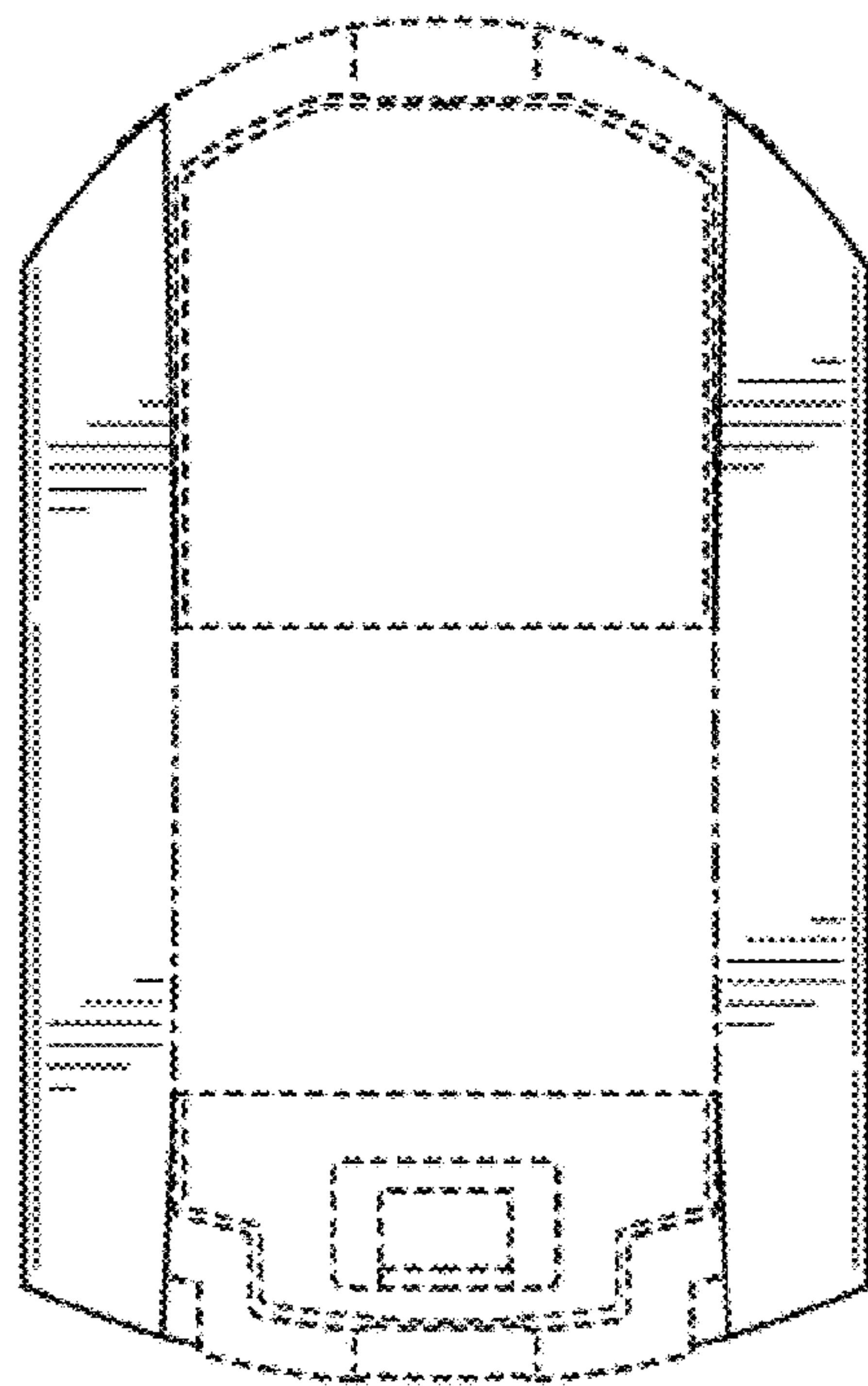


FIG. 8