



US00D830767S

(12) **United States Design Patent**
Gordon

(10) **Patent No.:** **US D830,767 S**
(45) **Date of Patent:** **** Oct. 16, 2018**

(54) **BEVERAGE CONTAINER CAP**

- (71) Applicant: **CamelBak Products, LLC**, Petaluma, CA (US)
- (72) Inventor: **William Gordon**, Petaluma, CA (US)
- (73) Assignee: **CamelBak Products, LLC**, Petaluma, CA (US)

(**) Term: **15 Years**

(21) Appl. No.: **29/611,167**

(22) Filed: **Jul. 19, 2017**

(51) **LOC (11) Cl.** **07-99**

(52) **U.S. Cl.**
USPC **D7/392.1; D7/392; D7/396.2; D9/454**

(58) **Field of Classification Search**
USPC D9/452, 453, 454, 435, 447, 449;
D7/391, 392, 392.1, 510, 511, 538, 540,
D7/542, 543, 544, 545, 629
CPC ... A47G 19/2205; A47G 19/2222; A45F 3/16;
A45F 3/20; B67D 7/06; B67D 1/0004;
B65D 25/14; B65D 47/065; B65D
47/066; B65D 2543/00101; B65D
2543/00027

See application file for complete search history.

(56) **References Cited**

U.S. PATENT DOCUMENTS

3,272,405	A	9/1966	Todd et al.
3,338,467	A	8/1967	Albert
3,811,650	A	5/1974	Dehar
3,910,550	A	10/1975	Nelson
4,497,422	A	2/1985	Flees
4,696,398	A	9/1987	Steinmetz, Jr.
4,938,375	A	7/1990	Fantacone

(Continued)

FOREIGN PATENT DOCUMENTS

CA	2750549	1/2010
DE	202016103314 U1	9/2016

(Continued)

OTHER PUBLICATIONS

Camelbak website, Hot Cap 20 oz, Earliest comment date May 5, 2018, [Site visited Jun. 5, 2018], Available on the Internet URL https://www.camelbak.com/en/bottles/R02036--Hot_Cap_20oz?color=b2f78fcbec8e4559a1d399fe50ff4283.*

(Continued)

Primary Examiner — Karen S Acker

Assistant Examiner — Steven B Reinholdt, Jr.

(74) *Attorney, Agent, or Firm* — Dascenzo Intellectual Property Law, P.C.; David S. D'Ascenzo

(57) **CLAIM**

The ornamental design for a beverage container cap, as shown and described.

DESCRIPTION

FIG. 1 is an isometric view of a beverage container cap showing the new design.

FIG. 2 is a first side elevation view of the cap of FIG. 1.

FIG. 3 is a second side elevation view of the cap of FIG. 1 taken from the side that is opposite the side shown in FIG. 2.

FIG. 4 is a third side elevation view of the cap of FIG. 1 taken from a side rotationally between the sides shown in FIGS. 2 and 3.

FIG. 5 is a fourth side elevation view of the cap of FIG. 1 taken from the side that is opposite the side shown in FIG. 4.

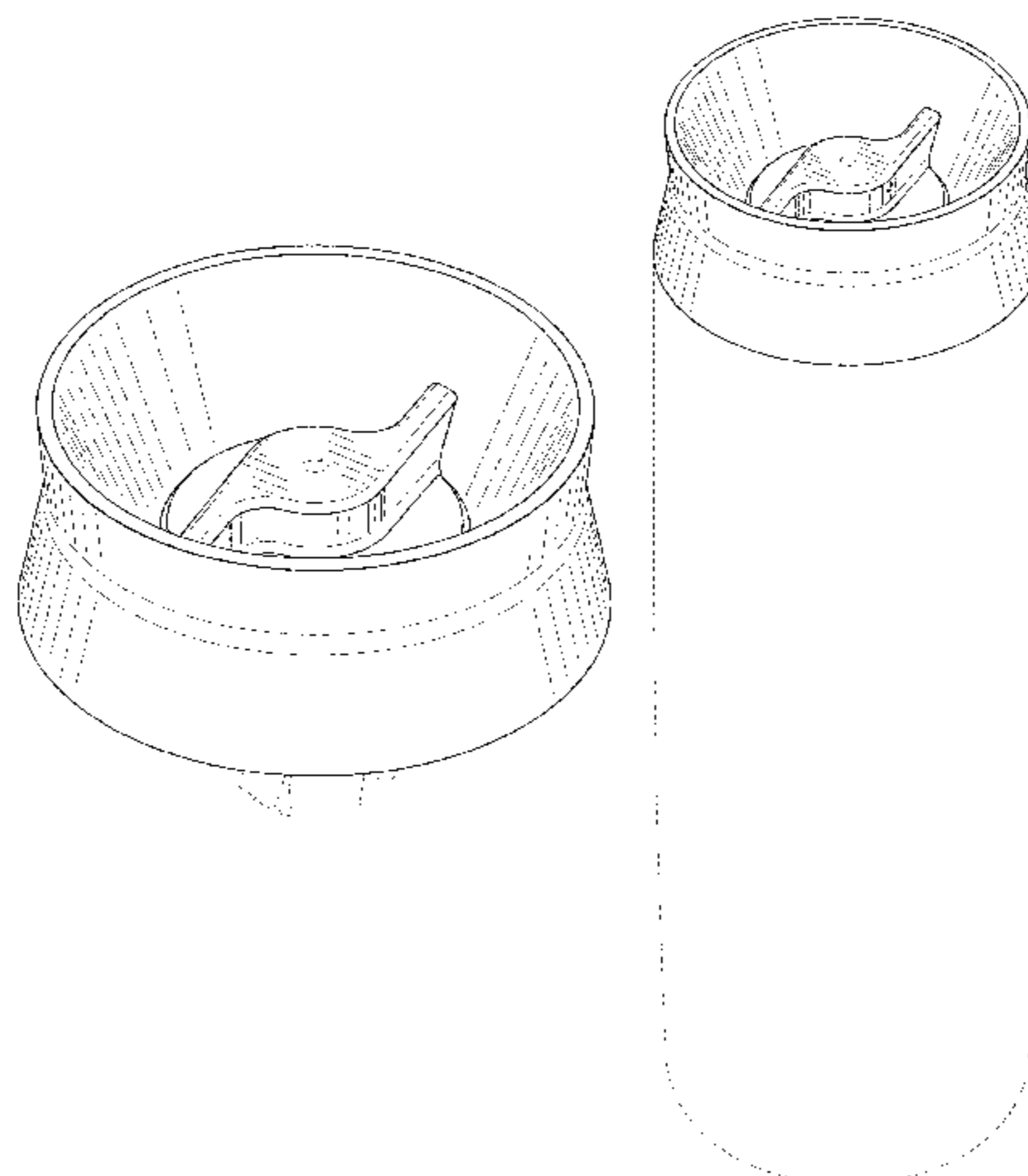
FIG. 6 is a top plan view of the cap of FIG. 1.

FIG. 7 is a bottom plan view of the cap of FIG. 1; and,

FIG. 8 is an isometric environment view of the cap of FIG. 1 on a beverage container.

The broken lines shown in FIGS. 1-7 depict portions of the beverage container cap that form no part of the claimed design. In FIG. 7, all areas within the solid line perimeter are not claimed. The broken lines in FIG. 8 depict environment that forms no part of the claimed design. The shading lines shown in the drawings represent the approximate three-dimensional contour of the claimed design and are not intended to indicate surface decoration.

1 Claim, 5 Drawing Sheets



(56)

References Cited

U.S. PATENT DOCUMENTS

D343,988 S * 2/1994 Spence, Jr. D7/391
 5,477,979 A 12/1995 Goessling et al.
 5,586,589 A 12/1996 Voelker
 5,680,951 A 10/1997 Feltman, III et al.
 D415,651 S * 10/1999 Trombly D7/391
 6,095,382 A 8/2000 Gross
 D442,029 S * 5/2001 Otake D7/510
 6,659,302 B2 12/2003 Lin
 6,662,978 B2 12/2003 Lin et al.
 6,702,138 B1 3/2004 Bielecki et al.
 6,783,020 B2 8/2004 Featherston et al.
 D507,934 S * 8/2005 Featherston D7/510
 D527,219 S * 8/2006 Trombly D7/392.1
 7,690,525 B2 4/2010 Schütz
 D621,207 S * 8/2010 Bodum D7/392.1
 D658,431 S * 5/2012 Gilbert D7/392.1
 8,215,511 B1 7/2012 Lin
 8,272,525 B1 9/2012 La Torre et al.
 8,272,532 B2 9/2012 Michaelian et al.
 8,459,468 B2 6/2013 Lin
 D691,848 S * 10/2013 Trudeau D7/392.1
 D693,628 S * 11/2013 Tavenner D7/392.1
 D717,609 S 11/2014 Lin
 D717,610 S 11/2014 Lin
 9,215,942 B2 12/2015 Bodum
 9,375,107 B2 6/2016 Gilbert et al.
 D765,468 S * 9/2016 Yen D7/392.1
 9,493,274 B2 11/2016 Ledun et al.
 9,527,631 B2 12/2016 Grittmann et al.
 9,532,671 B2 1/2017 Lin
 D784,072 S * 4/2017 Baron D7/392.1
 D786,673 S * 5/2017 Moffat D7/392.1
 2004/0094552 A1 * 5/2004 Featherston A47G 19/2272
 220/259.3
 2004/0201224 A1 10/2004 Chang
 2008/0156803 A1 7/2008 McClellan et al.
 2010/0155358 A1 6/2010 George
 2011/0198352 A1 8/2011 Lown et al.
 2011/0204053 A1 8/2011 Umholtz et al.
 2014/0312077 A1 10/2014 Tajima et al.
 2015/0190003 A1 7/2015 Kelaher et al.
 2015/0336720 A1 11/2015 Gorbald
 2017/0081090 A1 3/2017 Boyer et al.

FOREIGN PATENT DOCUMENTS

EP 0327373 A2 8/1989
 GB 221019 A 9/1924
 GB 2209740 A 5/1989
 GB 2212485 A 7/1989
 JP 4401931 B2 1/2010
 JP 3159974 U 6/2010
 JP 2015000741 A 1/2015
 WO WO 2005/092727 10/2005

OTHER PUBLICATIONS

English-language machine translation of Japan Patent Publication No. JP 4401931 B2, Global Patent Solutions, May 17, 2017.
 English-language machine translation of Japan Utility Model Publication No. JP 3159974 U, Global Patent Solutions, May 17, 2017.
 English-language machine translation of Japan Patent Application Publication No. JP 2015000741 A, Global Patent Solutions, May 17, 2017.
 English-language abstract of German Utility Model No. DE 202016103314 U1, European Patent Office, Sep. 22, 2016.
 Alfi 0.75 L Double Wall Clear Glass Carafe Pitcher Water Filter, Metallic, retrieved Jul. 18, 2017 from: https://www.amazon.com/Alfi-Double-Carafe-Pitcher-Metallic/dp/B01F8C53HY/ref=sr_1_1?ie=UTF8&qid=1500404000&sr=8-1&keywords=alfi+0.75, 8 pages.
 Bodum Anywhere 16-Ounce Travel Mug, Black, retrieved Jun. 23, 2017 from: https://www.amazon.com/Bodum-Anywhere-16-Ounce-Travel-Black/dp/B003CUZVMM/ref=sr_1_1?s=home-garden&ie=UTF8&qid=1498250915&sr=1-1&keywords=Bodum+anywhere+16, 6 pages.
 Braun BRSC001 Thermal Travel Coffee Mug, Black, retrieved Jul. 18, 2017 from: https://www.amazon.com/Braun-BRSC001-Thermal-Travel-Coffee/dp/B01DZE4TSG/ref=sr_1_1?ie=UTF8&qid=1500407572&sr=8-1&keywords=braun+thermal+coffee+mug, 8 pages.
 Klean Kanteen Insulated Wide Stainless Steel Coffee Mug with Café Cap, retrieved Jul. 18, 2017 from: https://www.amazon.com/Klean-Kanteen-Insulated-Stainless-Vineyard/dp/B00SA2XIP4/ref=sr_1_5?s=sports-and-fitness&ie=UTF8&qid=1500407221&sr=1-5&keywords=klean+kanteen, 6 pages.
 Miracle 360° Trainer Cup— 7 oz, retrieved May 24, 2017 from: <http://www.munchkin.com/miracle-360-7oz-trainer-cup-white.html>, 2 pages.
 Miracle 360° Cup by munchkin user instructions, retrieved May 24, 2017 from: 15863-IS-1_MUIN-MiracleCupIns.pdf, 1 page.

* cited by examiner

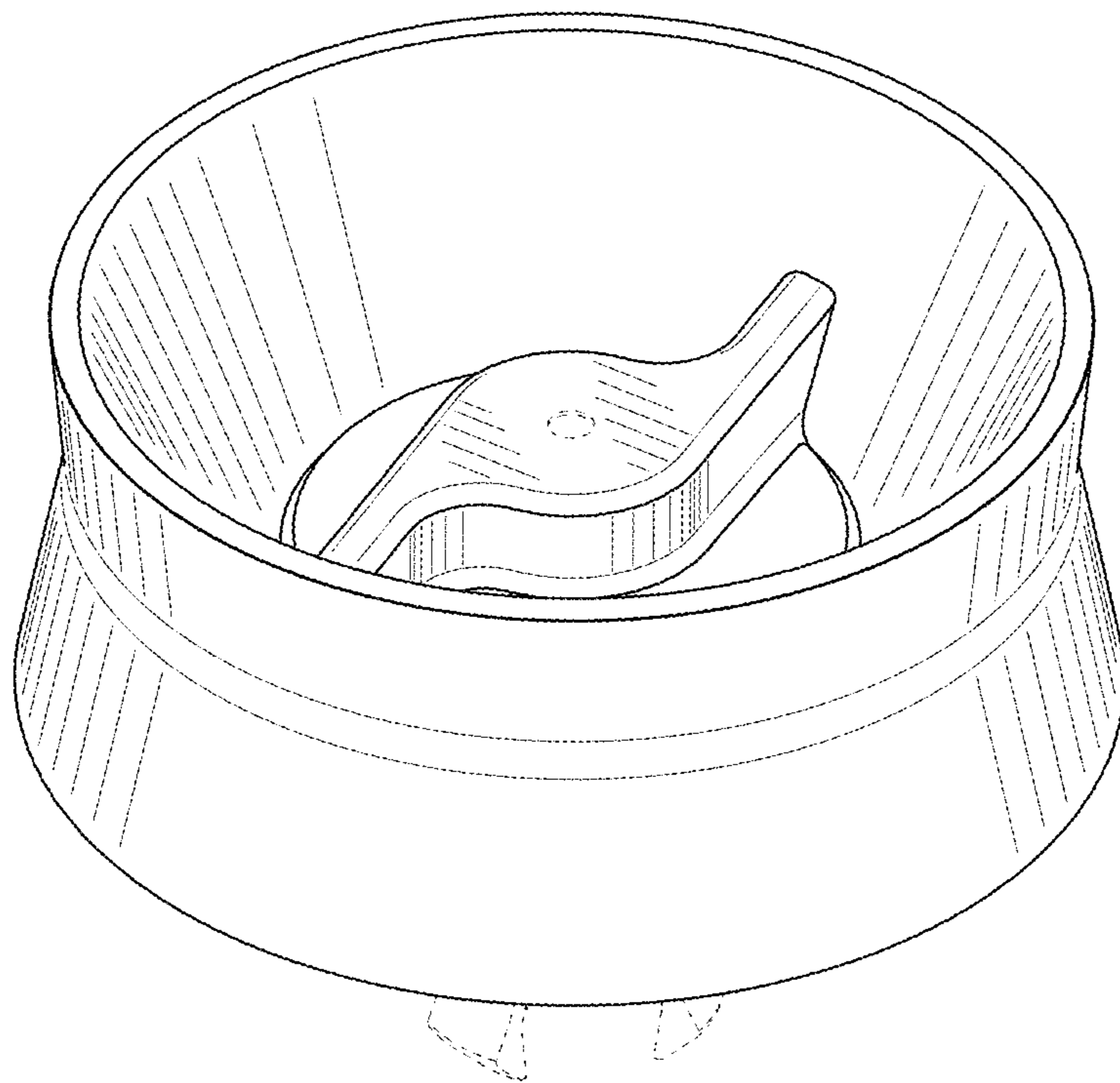


FIG. 1

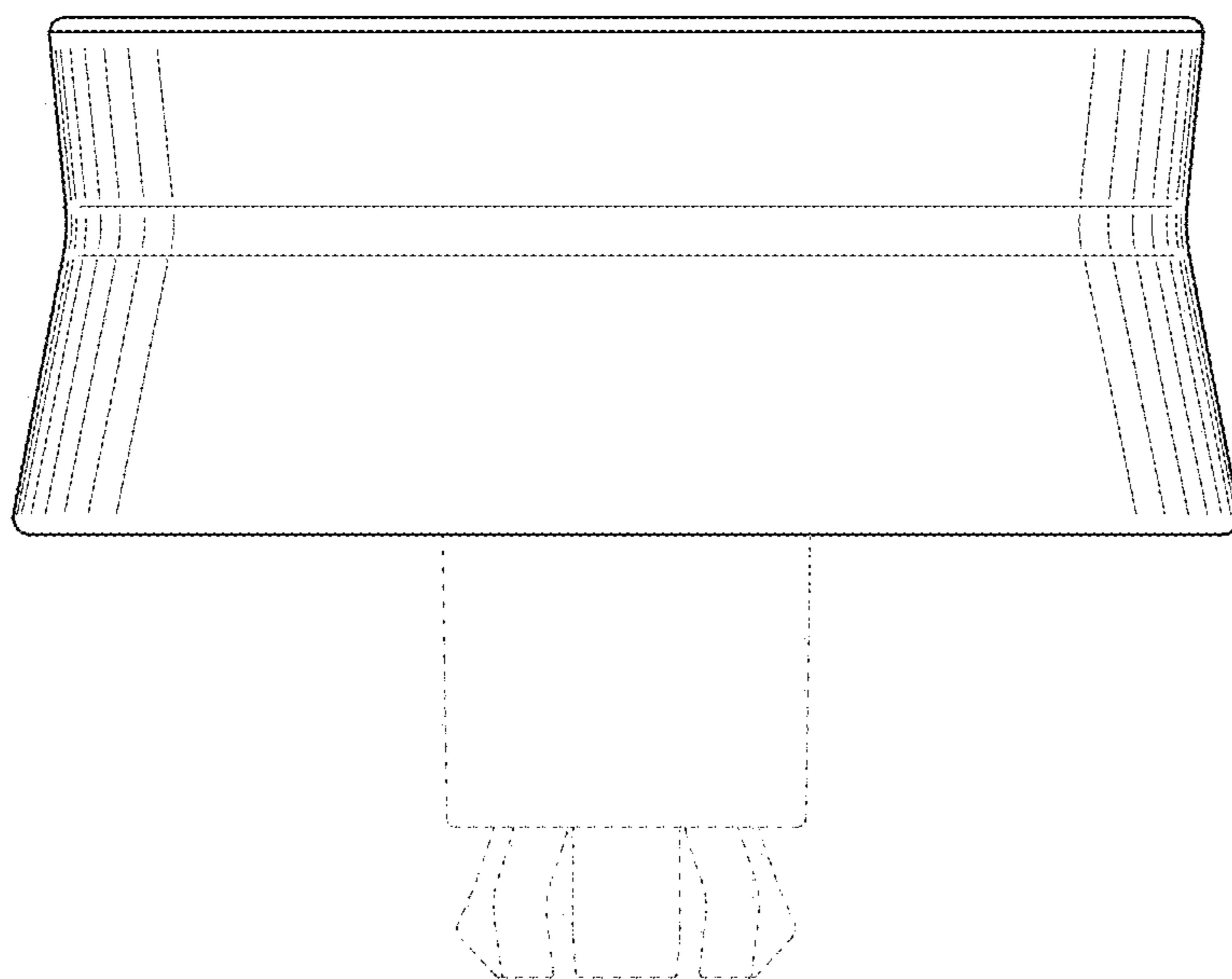


FIG. 2

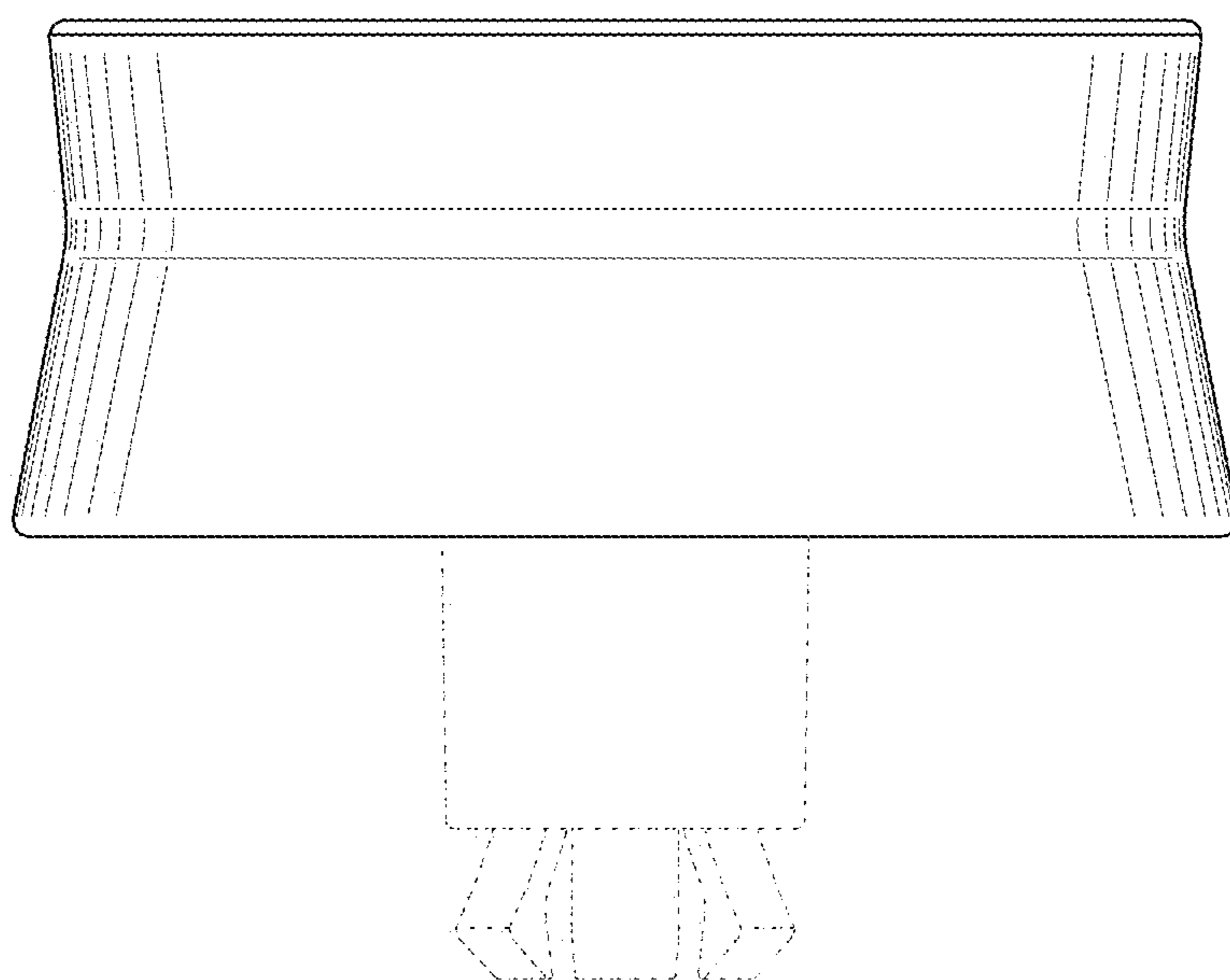


FIG. 3

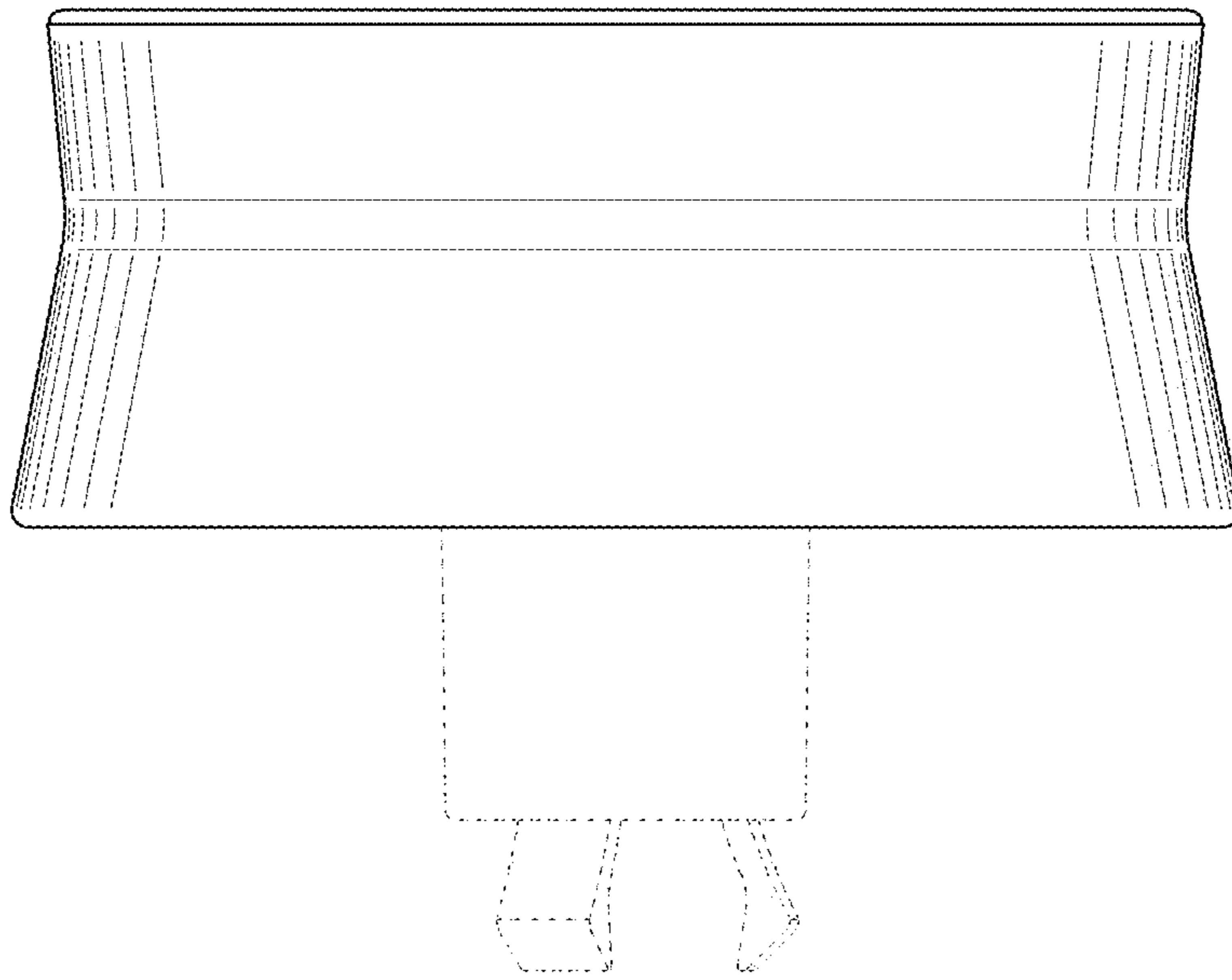


FIG. 4

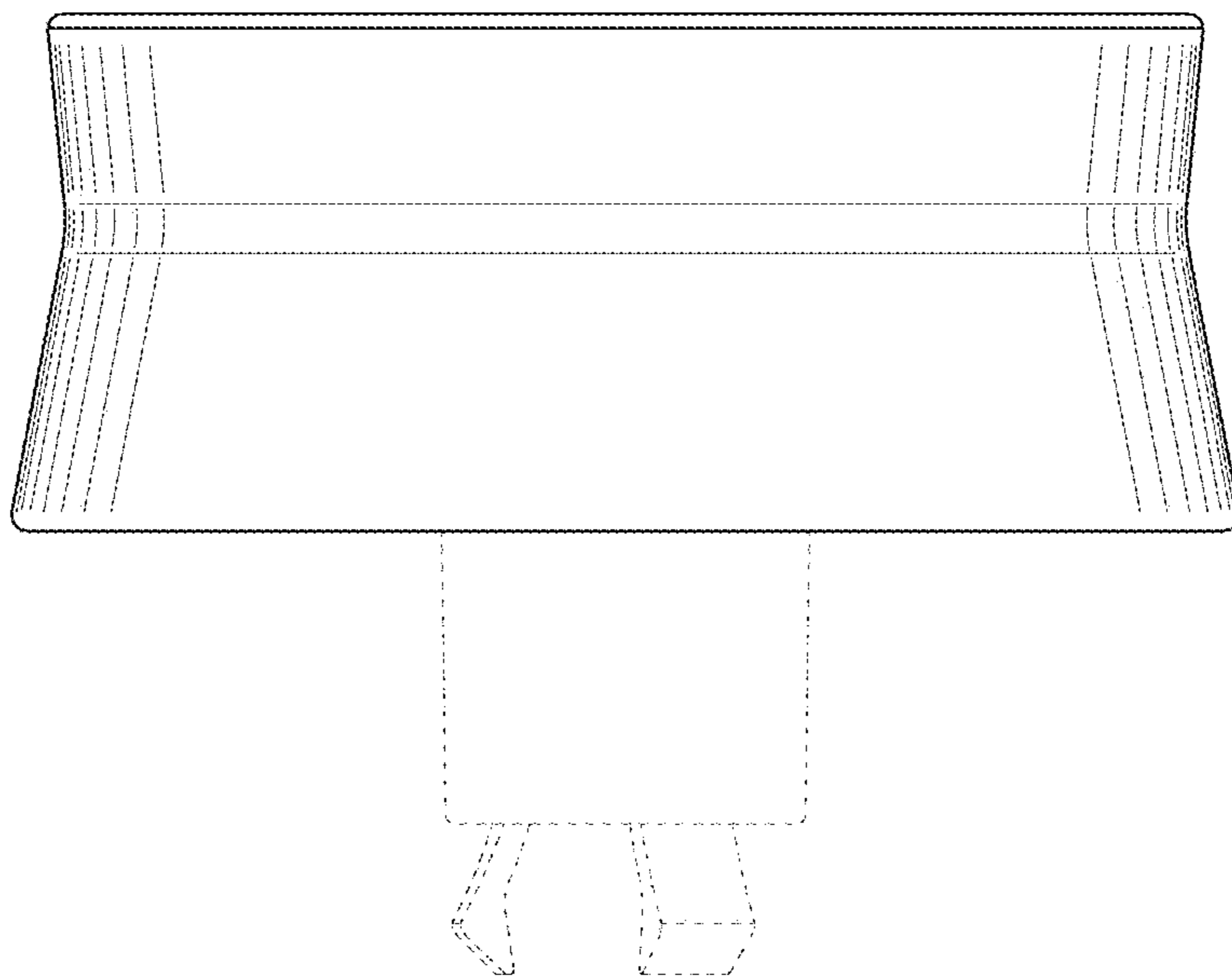


FIG. 5

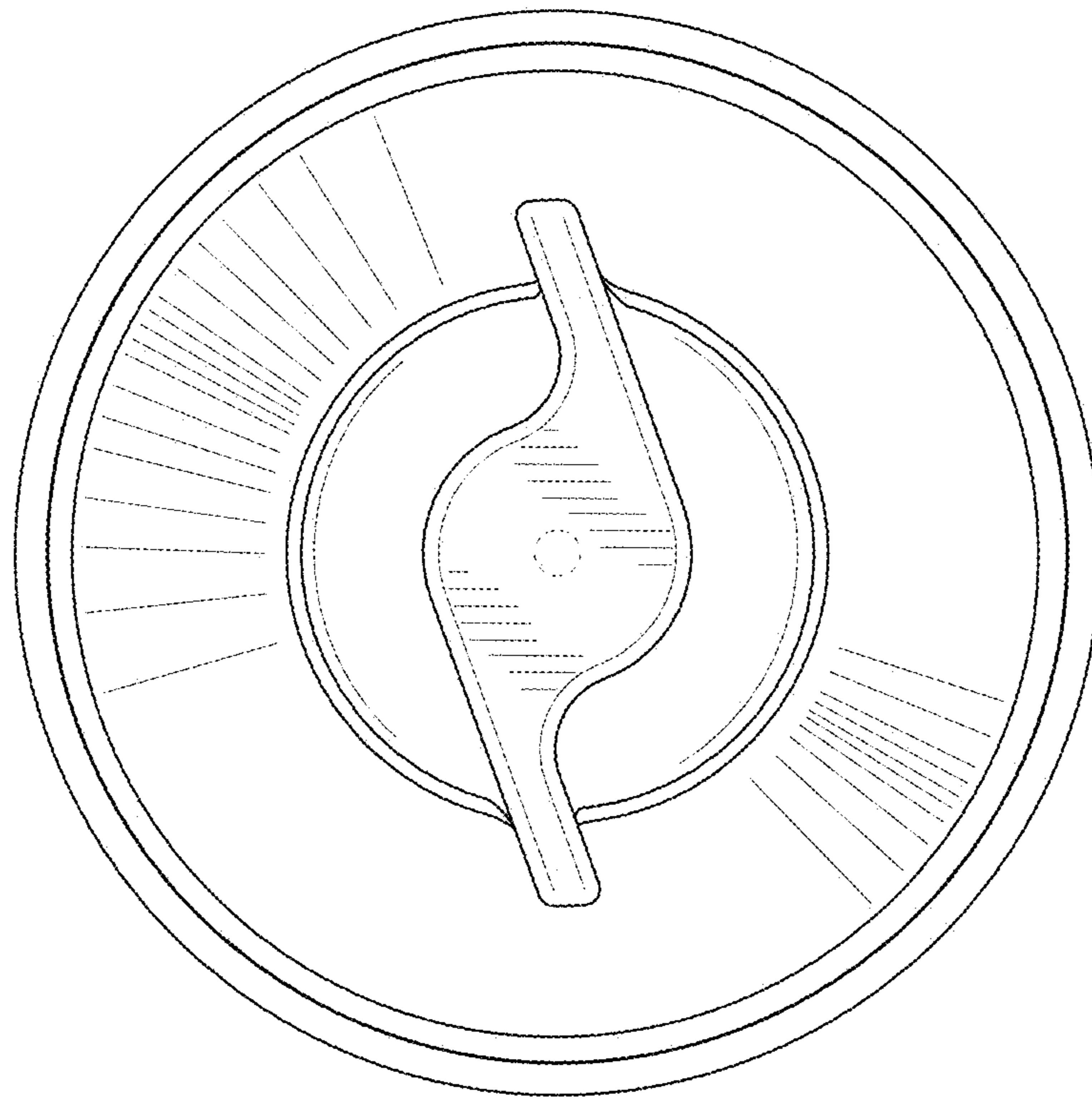


FIG. 6

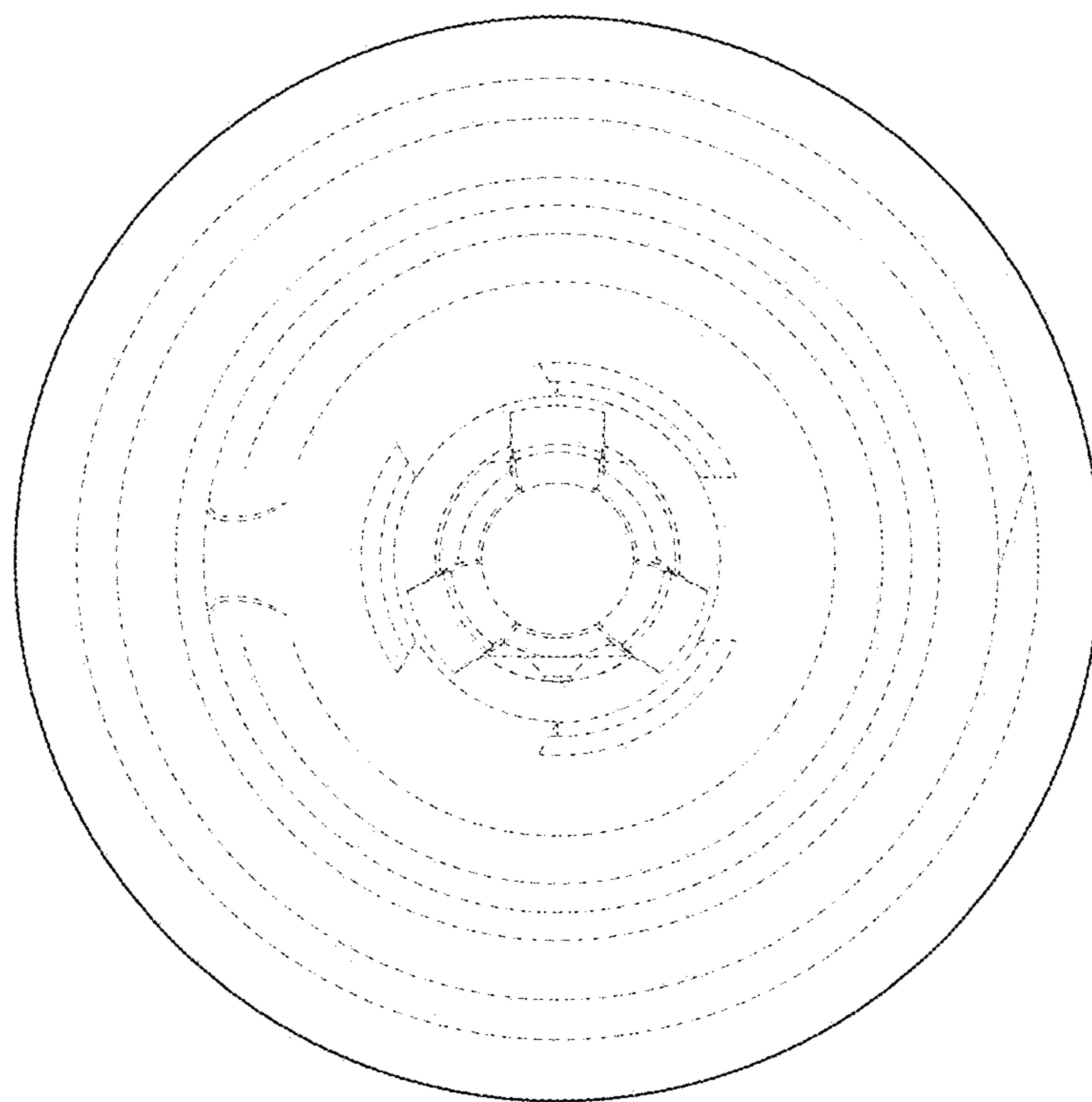


FIG. 7



FIG. 8