



US00D830766S

(12) **United States Design Patent**
Treacy et al.

(10) **Patent No.:** **US D830,766 S**

(45) **Date of Patent:** **** Oct. 16, 2018**

(54) **CREAMER LID**

(71) Applicant: **Helen of Troy Limited**, Belleville, St. Michael (BB)

(72) Inventors: **Lyndon Treacy**, Brooklyn, NY (US);
Paul Mulhauser, New York, NY (US)

(73) Assignee: **Helen of Troy Limited**, St. Michael (BB)

(**) Term: **15 Years**

(21) Appl. No.: **29/597,464**

(22) Filed: **Mar. 17, 2017**

(51) **LOC (11) Cl.** **07-99**

(52) **U.S. Cl.**
USPC **D7/392**

(58) **Field of Classification Search**
USPC D7/387, 392, 392.1, 392.2, 393, 396.2,
D7/396.3, 396.4, 401.1, 507, 509-511,
D7/538, 900; D9/414, 415, 420, 426,
D9/428, 429, 434, 435, 443-450,
D9/452-457, 499, 682, 685, 686
CPC A47G 19/2205; A47G 19/2222; A47G
19/2272; B65D 51/28; B65D 21/0222;
B65D 43/02; B65D 2203/00; B65D
2231/022; B65D 2543/00046; B65D
2543/00092; B65D 2543/00296; B65D
2543/00537

See application file for complete search history.

(56) **References Cited**

U.S. PATENT DOCUMENTS

3,309,000 A * 3/1967 Haverstick B44D 3/12
220/4.03
D230,691 S * 3/1974 Beckman D7/392
D441,998 S * 5/2001 Kauzlarich D32/30
D445,983 S * 7/2001 Laughton D34/11
D473,460 S * 4/2003 Whitworth D9/504
D572,981 S * 7/2008 Carreno D7/510
D588,915 S * 3/2009 Lohrman D9/449

D634,628 S * 3/2011 Goto D7/900
D635,019 S * 3/2011 Goto D7/900
D640,091 S * 6/2011 Sheppard D7/316
D641,257 S * 7/2011 Thiebaut D9/454
D675,865 S * 2/2013 Wahl D7/392.1

(Continued)

OTHER PUBLICATIONS

“OXO Good Grips Creamer Dispenser.” Found online Jul. 17, 2018 at www.amazon.com. Page dated Jun. 8, 2017. Retrieved from URL: <https://www.amazon.com/OXO-Good-Grips-Creamer-Dispenser/dp/B071G84NHF> (Year: 2017).*

(Continued)

Primary Examiner — Garth Rademaker

Assistant Examiner — Katelin G Kloberg

(74) *Attorney, Agent, or Firm* — Rankin, Hill & Clark LLP

(57) **CLAIM**

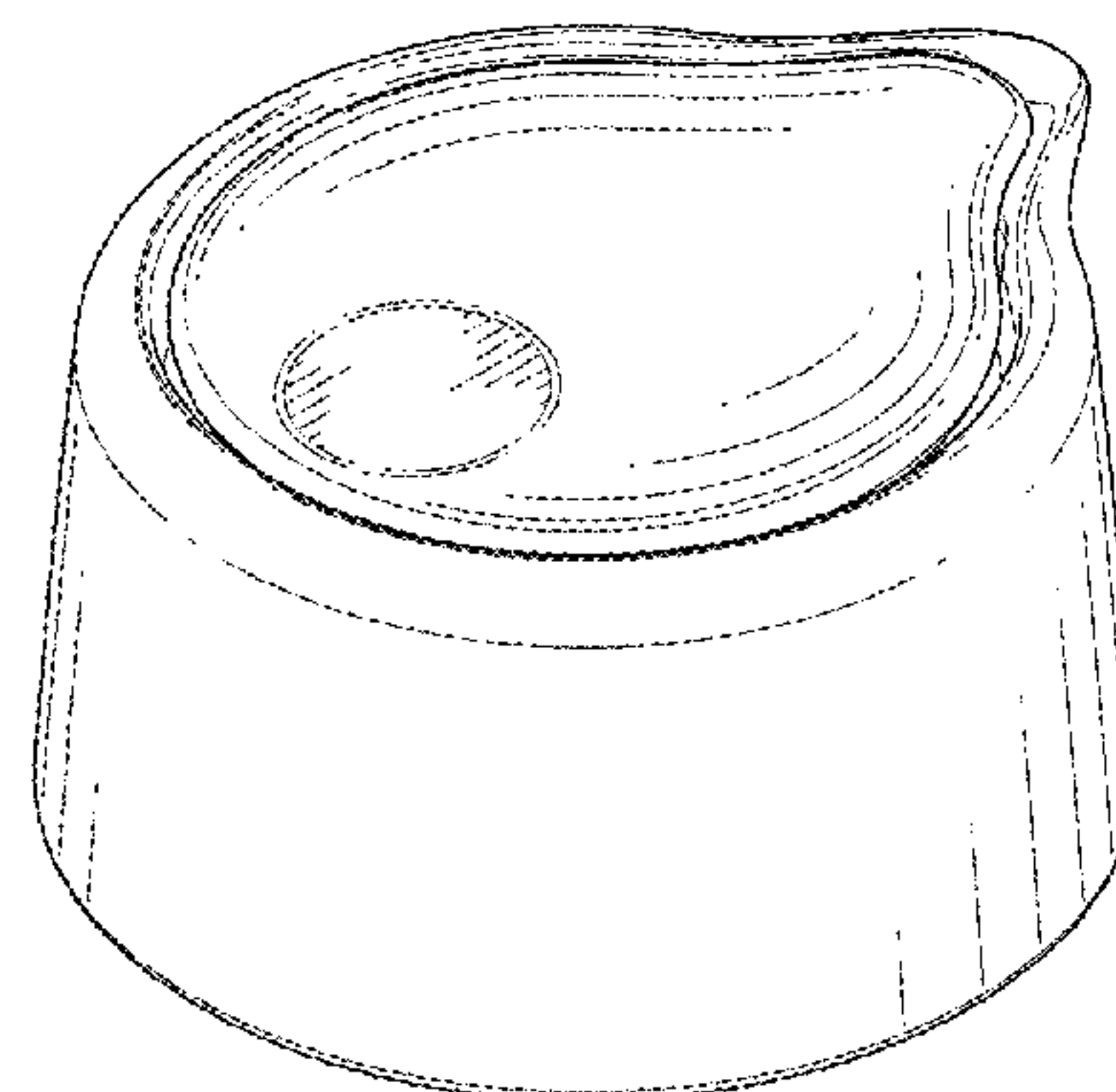
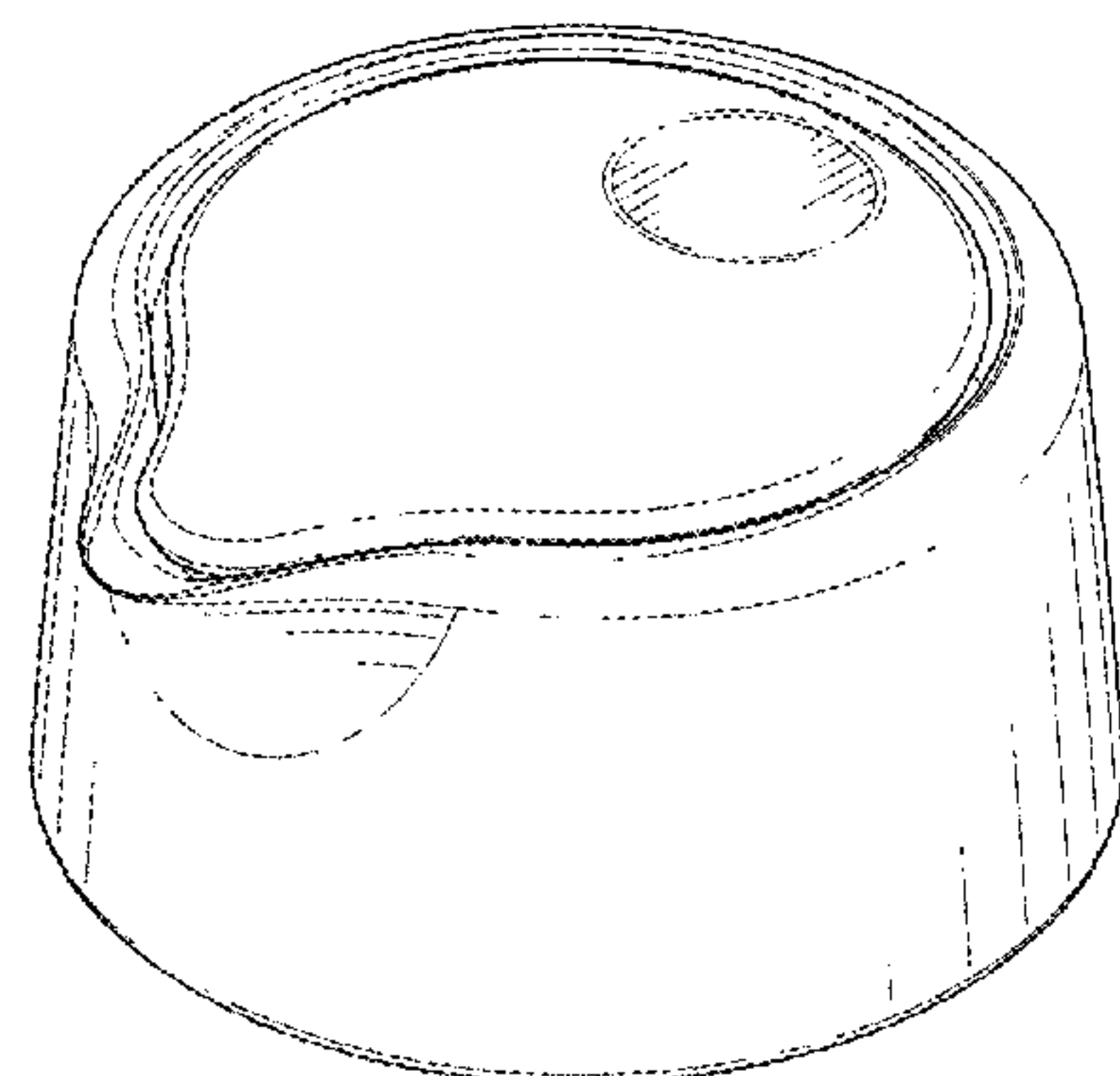
The ornamental design for a creamer lid, as shown and described.

DESCRIPTION

FIG. 1 is a top, front, right side perspective view of a creamer lid, showing my new design;
FIG. 2 is a top, rear, left side perspective view thereof;
FIG. 3 is a front elevation view thereof;
FIG. 4 is a rear elevation view thereof;
FIG. 5 is a right side elevation view thereof;
FIG. 6 is a left side elevation view thereof;
FIG. 7 is a top plan view thereof;
FIG. 8 is a bottom plan view thereof; and,
FIG. 9 is a top, front, right side perspective view shown in condition of use.

The broken lines shown in FIG. 8 depict portions of the creamer lid that form no part of the claimed design. The broken lines shown in FIG. 9 depict environmental subject matter that forms no part of the claimed design.

1 Claim, 9 Drawing Sheets



(56)

References Cited

U.S. PATENT DOCUMENTS

D714,162 S * 9/2014 Kang D9/504
D730,729 S * 6/2015 George D9/435
D734,638 S * 7/2015 Wahl D7/392.1
D748,942 S * 2/2016 Boroski D7/376
D751,337 S * 3/2016 Boroski D7/376
D789,200 S * 6/2017 Deringer D9/435
D812,982 S * 3/2018 Melnyk D7/608
D814,853 S * 4/2018 Melanson D7/391
D815,906 S * 4/2018 Yee D7/511
D817,114 S * 5/2018 Beckman D7/629
D819,402 S * 6/2018 Silsby D7/510
D821,136 S * 6/2018 Silsby D7/392.1

OTHER PUBLICATIONS

“Good Cook Glass Sugar Dispenser.” Found online Jul. 17, 2018 at www.amazon.com. Page dated May 9, 2016. Retrieved from URL: https://www.amazon.com/dp/B01FDPRRUM/ref=sspa_dk_detail_6?psc=1 (Year: 2016).*

“Ideal Olive Oil Mister Sprayer.” Found online Jul. 17, 2018 at www.amazon.com. Page dated Oct. 19, 2014. Retrieved from URL: https://www.amazon.com/dp/B00LZ7A2TG/ref=sspa_dk_detail_1?psc=1 (Year: 2014).*

“International Delight Southern Butter Pecan Coffee Creamer.” Found online Jul. 17, 2018 at www.walmart.com. Page dated Oct. 5, 2008. Retrieved from URL: <https://www.walmart.com/ip/International-Delight-Southern-Butter-Pecan-Coffee-Creamer-32-oz/10307813> (Year: 2008).*

* cited by examiner

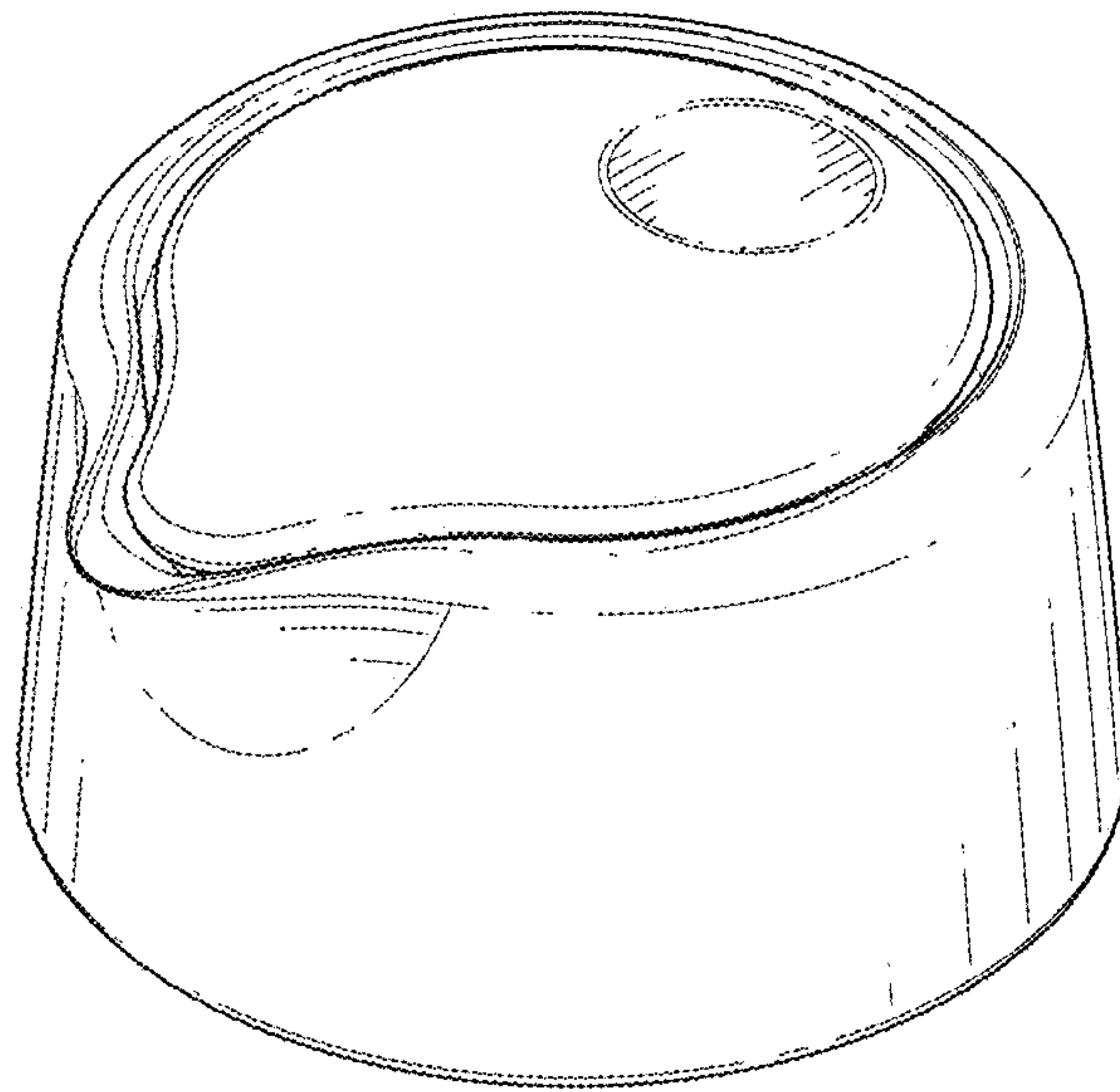


FIG. 1

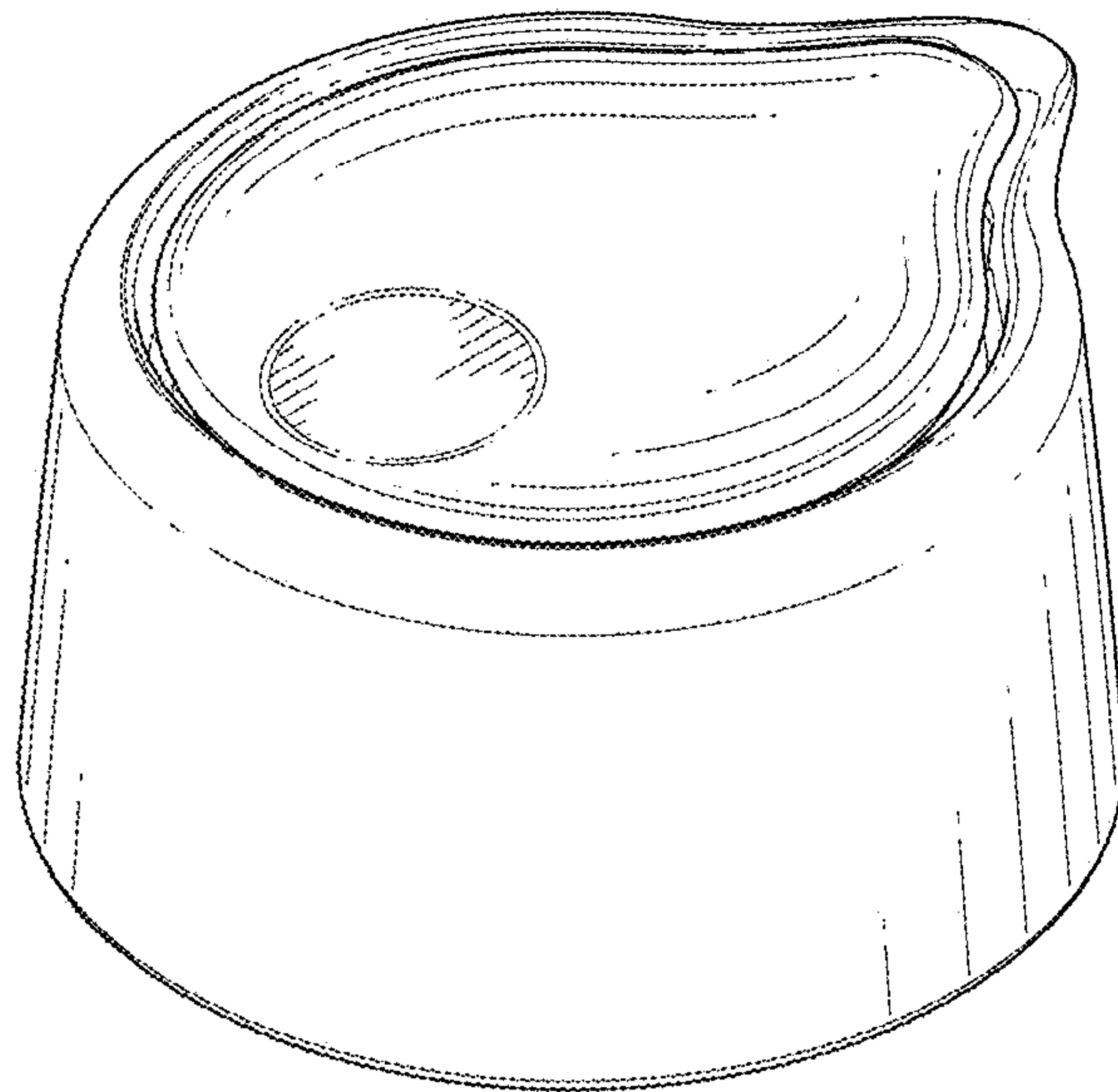


FIG. 2

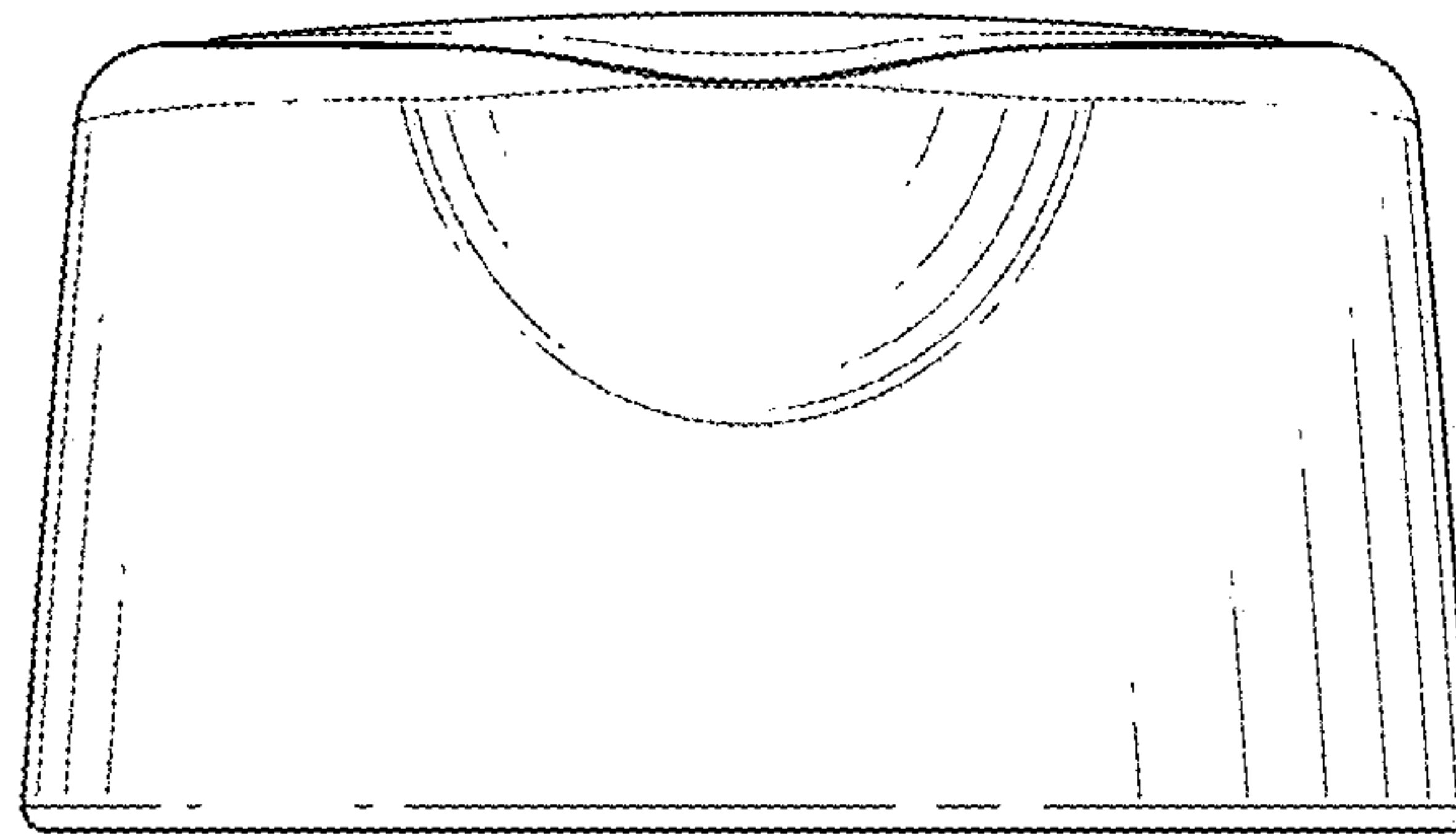


FIG.3

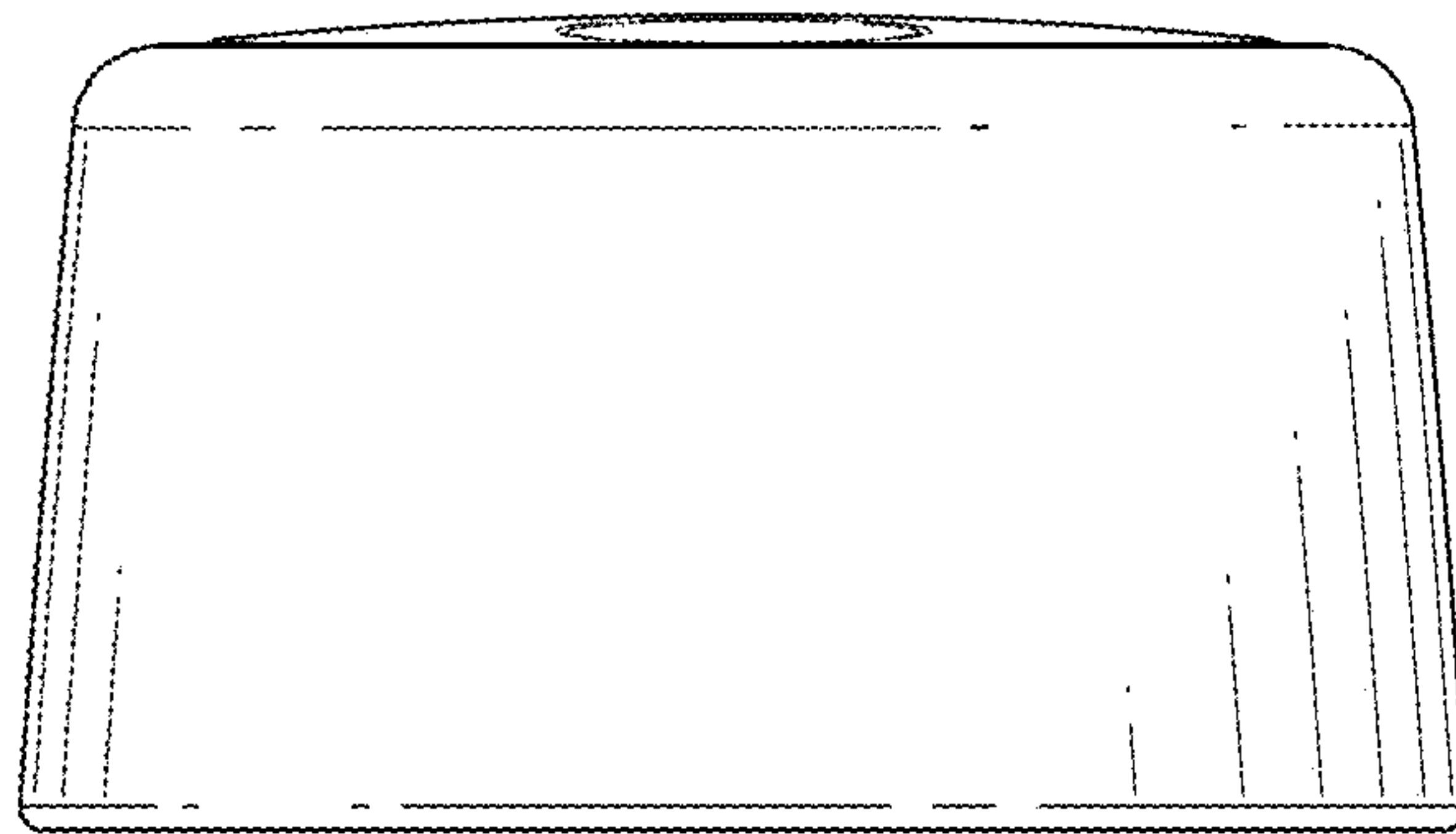


FIG.4

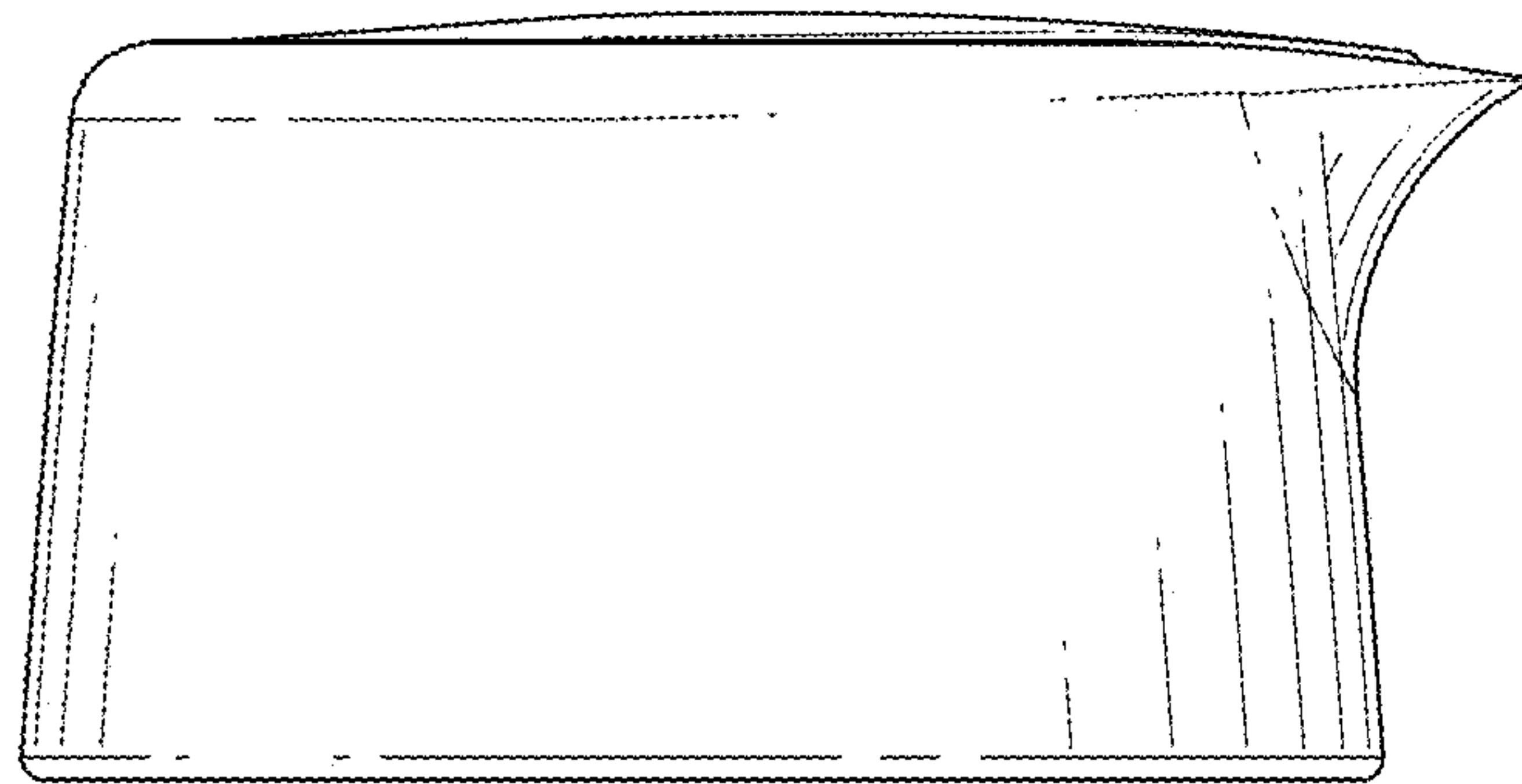


FIG.5

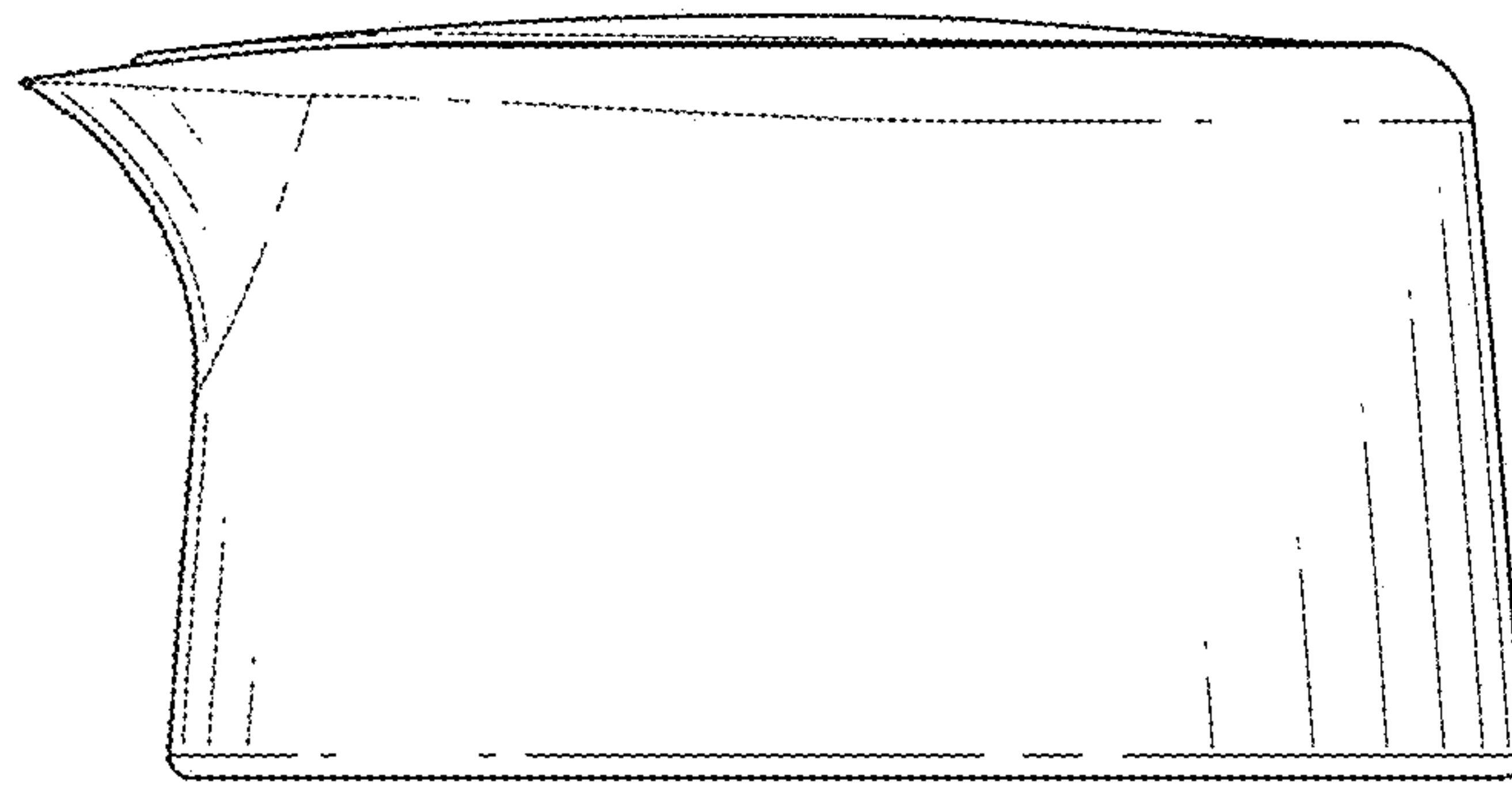


FIG.6

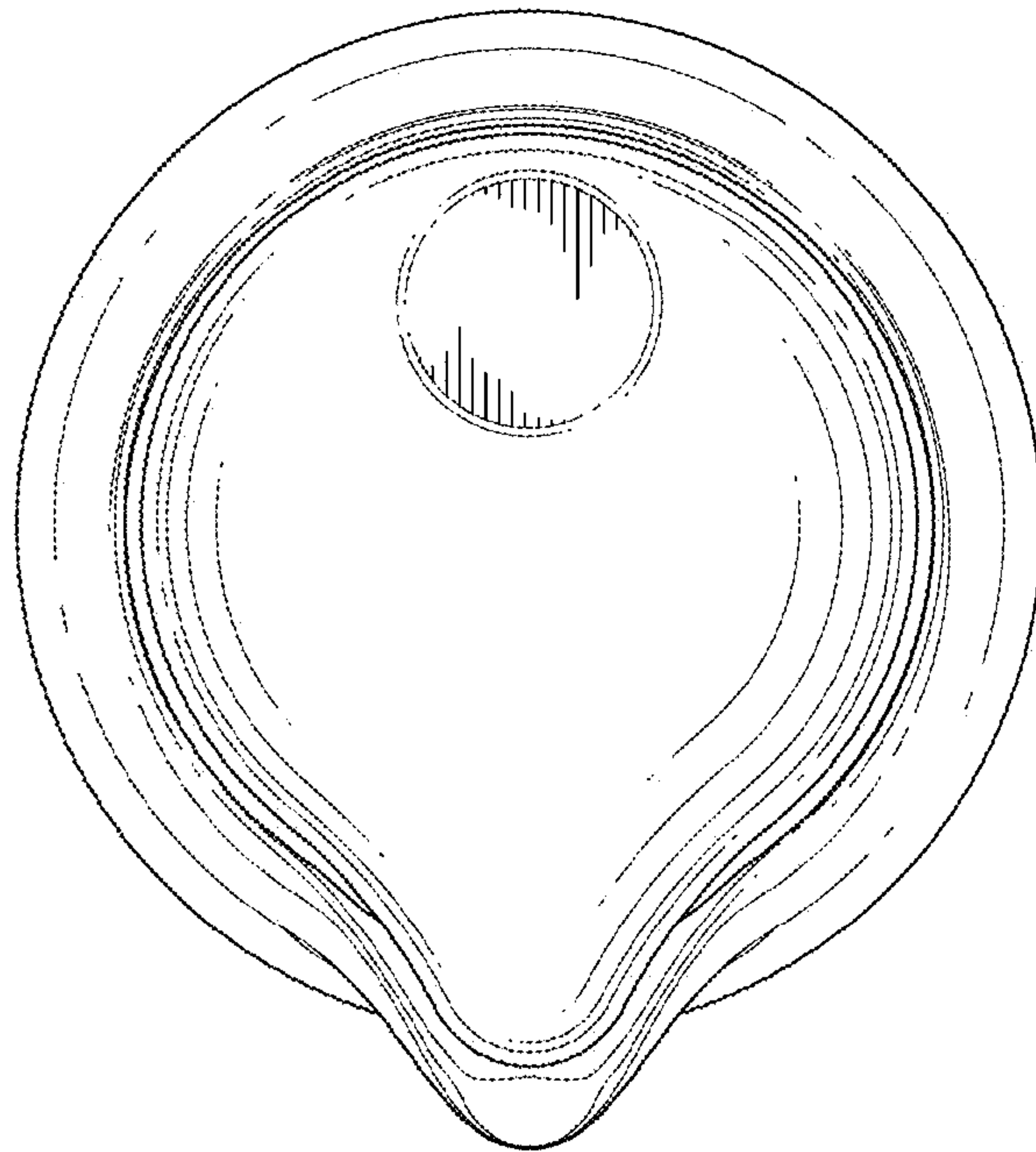


FIG. 7

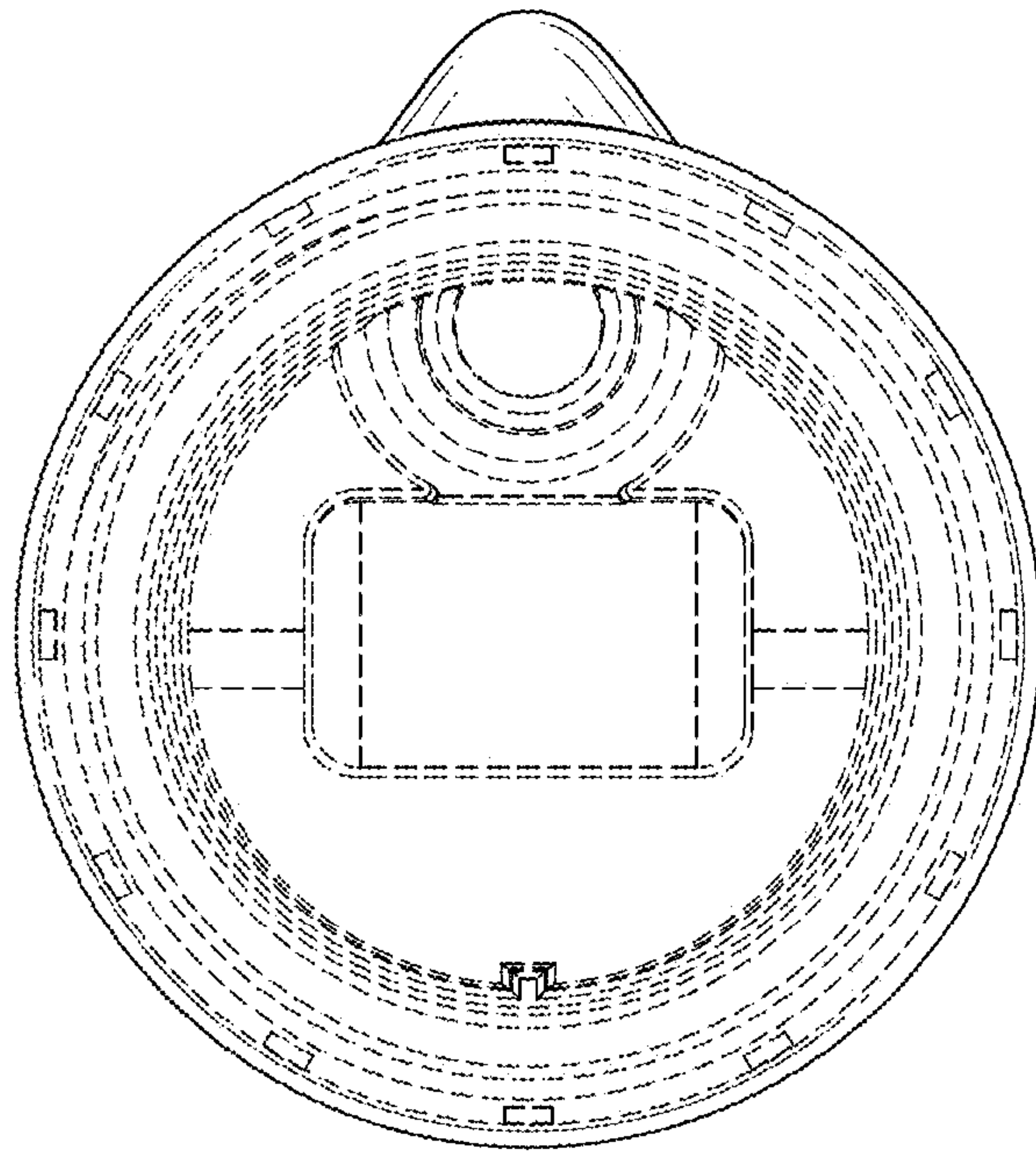


FIG.8

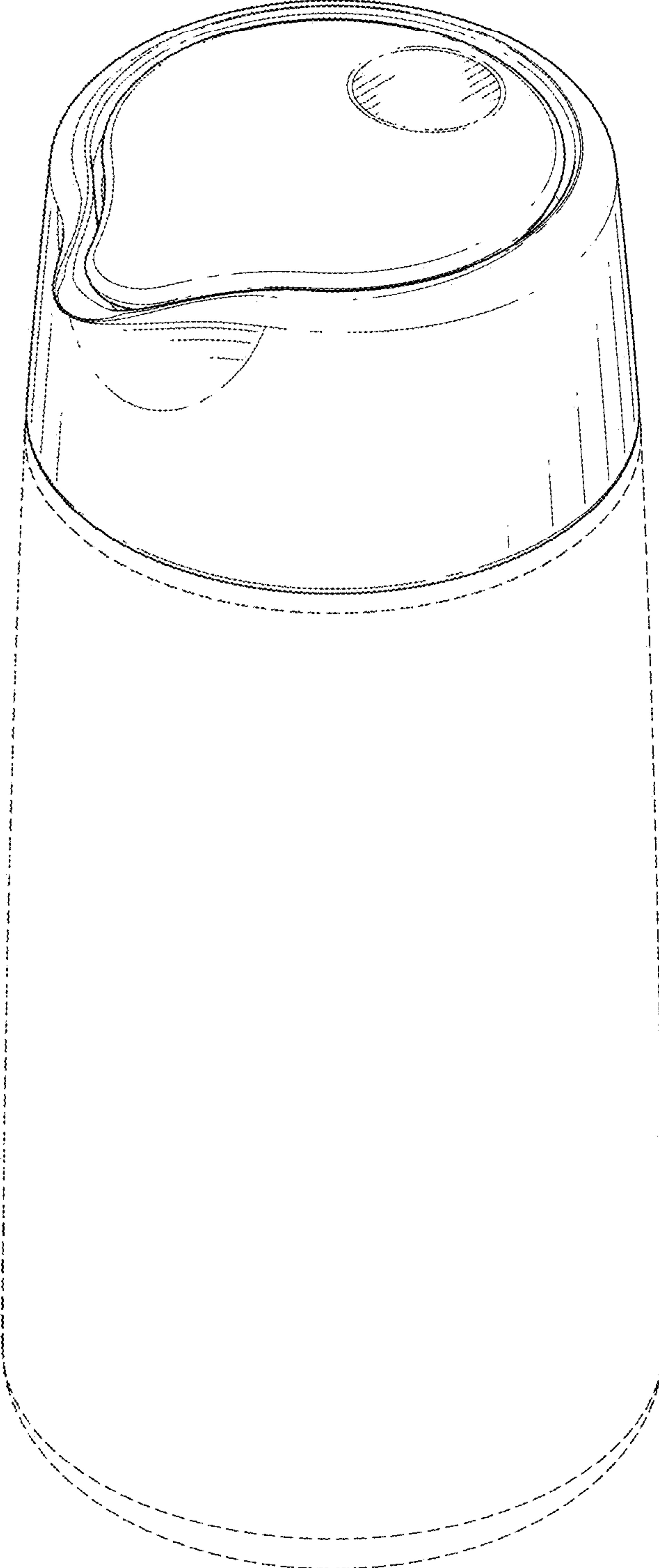


FIG.9