



US00D830764S

(12) **United States Design Patent**  
**Vu et al.**

(10) **Patent No.:** **US D830,764 S**  
(45) **Date of Patent:** **\*\* Oct. 16, 2018**

(54) **HAND MIXER**

(56) **References Cited**

(71) Applicant: **De' Longhi Braun Household GmbH**,  
Neu-Isenburg (DE)

U.S. PATENT DOCUMENTS

(72) Inventors: **Duy Phong Vu**, Schwalbach am Taunus  
(DE); **Sven Wuttig**, Griesheim (DE);  
**Dennis Müller**, Frankhurl am Main  
(DE); **Britta Stockinger**, Frankfurt am  
Main (DE); **Markus Orthey**, Eltville  
am Rhein (DE); **Julia Bassarek**,  
Frankfurt am Main (DE)

D332,722	S	*	1/1993	Torbet	.....	D7/387
D338,593	S	*	8/1993	Maass	.....	D7/376
D345,888	S	*	4/1994	Joss	.....	D7/379
D361,920	S	*	9/1995	Kaney	.....	D7/379
D362,587	S	*	9/1995	Littmann	.....	D7/386
D362,783	S	*	10/1995	Cruz	.....	D7/379
D367,400	S	*	2/1996	Viemeister	.....	D7/379
D387,244	S	*	12/1997	Ivy	.....	D7/379
D396,991	S	*	8/1998	Lallemand	.....	D7/379
D418,010	S	*	12/1999	Chan	.....	D7/379
D419,366	S	*	1/2000	Tse	.....	D7/379
D440,113	S	*	4/2001	Thackray	.....	D7/379
D478,467	S	*	8/2003	Holderfield	.....	D7/379
D539,603	S	*	4/2007	Holderfield	.....	D7/379
D593,360	S	*	6/2009	Lee	.....	D7/379
D665,223	S	*	8/2012	Haley	.....	D7/376
D665,224	S	*	8/2012	Benoit	.....	D7/376
D703,480	S	*	4/2014	Lownds	.....	D7/376

(73) Assignee: **De' Longhi Braun Household GmbH**,  
Neu-Isenburg (DE)

(\*\*) Term: **15 Years**

(Continued)

(21) Appl. No.: **29/599,740**

*Primary Examiner* — Barbara Fox

(22) Filed: **Apr. 6, 2017**

*Assistant Examiner* — Messina L Smith

(51) **LOC (11) Cl.** ..... **31-00**

(74) *Attorney, Agent, or Firm* — Marshall, Gerstein &  
Borun LLP

(52) **U.S. Cl.**

(57) **CLAIM**

USPC ..... **D7/379**

The ornamental design for a hand mixer, as shown and  
described.

(58) **Field of Classification Search**

**DESCRIPTION**

USPC ..... D7/372, 376–386, 412–413, 602, 629,  
D7/665–66, 669, 679, 693–694

CPC .... A21C 1/02; A21C 1/04; A23N 1/00; A23N  
1/02; A47J 43/04; A47J 43/25; A47J  
43/27; A47J 43/042; A47J 43/044; A47J  
43/046; A47J 43/075; A47J 43/0722;  
A47J 43/0727; A47J 43/082; B01F 3/00;  
B01F 3/0807; B01F 3/0853; B01F  
13/0059; B01F 13/0064; B02C 1/08;  
B02C 2/04; B02C 4/42; B02C 4/142;  
B02C 4/143; B02C 4/423; B02C 13/1835;  
B28C 5/10; B28C 5/12; B28C 5/14;  
B28C 5/16

FIG. 1 is a front, right-side, and top view of a hand mixer  
showing the new design.

FIG. 2 is a front elevation view of the hand mixer.

FIG. 3 is a back elevation view of the hand mixer.

FIG. 4 is a left-side elevation view of the hand mixer.

FIG. 5 is a right-side elevation view of the hand mixer.

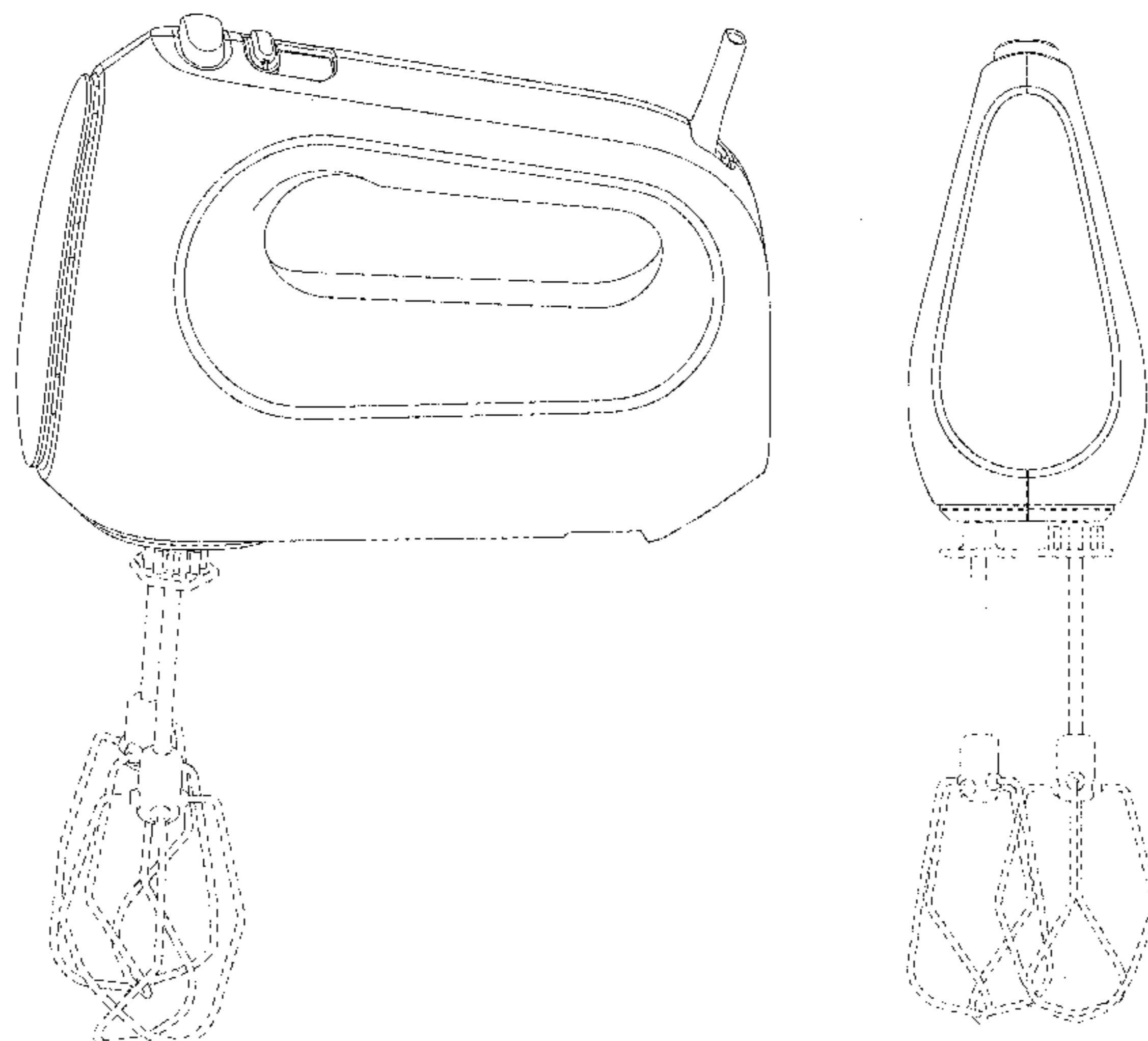
FIG. 6 is a bottom plan view of the hand mixer; and,

FIG. 7 is a top plan view of the hand mixer.

The broken lines in the drawings depict portions of the hand  
mixer that form no part of the claimed design.

See application file for complete search history.

**1 Claim, 6 Drawing Sheets**



(56)

**References Cited**

U.S. PATENT DOCUMENTS

D800,493 S \* 10/2017 Muller ..... D7/379  
2013/0188439 A1 \* 7/2013 McCormick ..... H02G 11/00  
366/129

\* cited by examiner

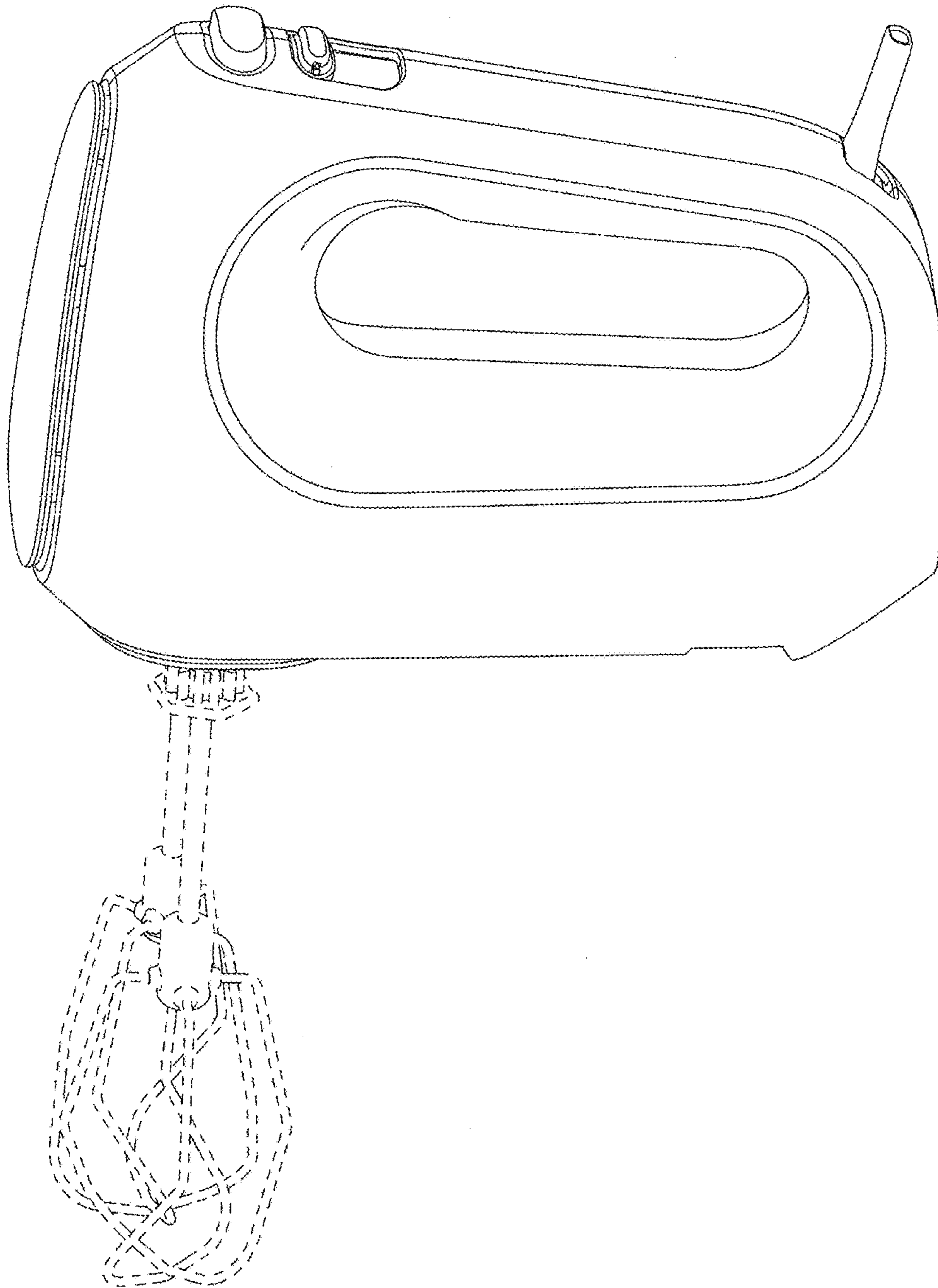


Fig. 1

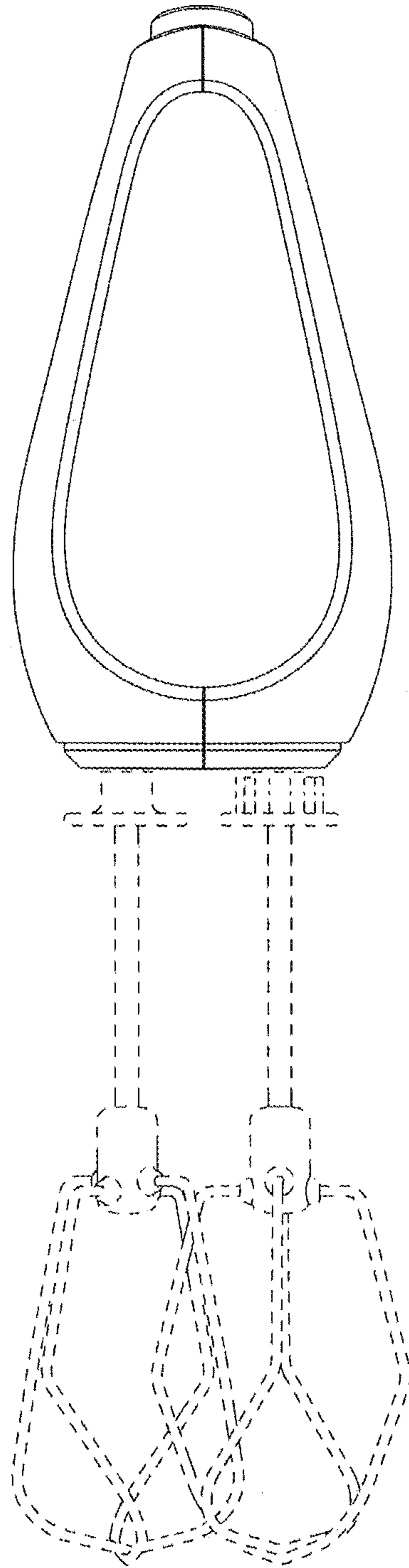


Fig. 2

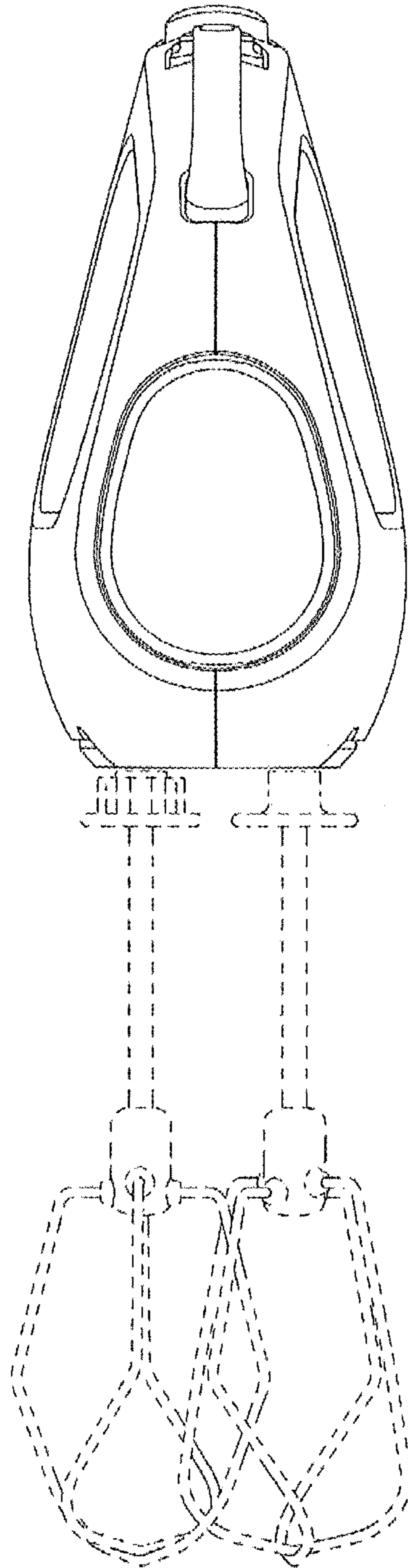


Fig. 3

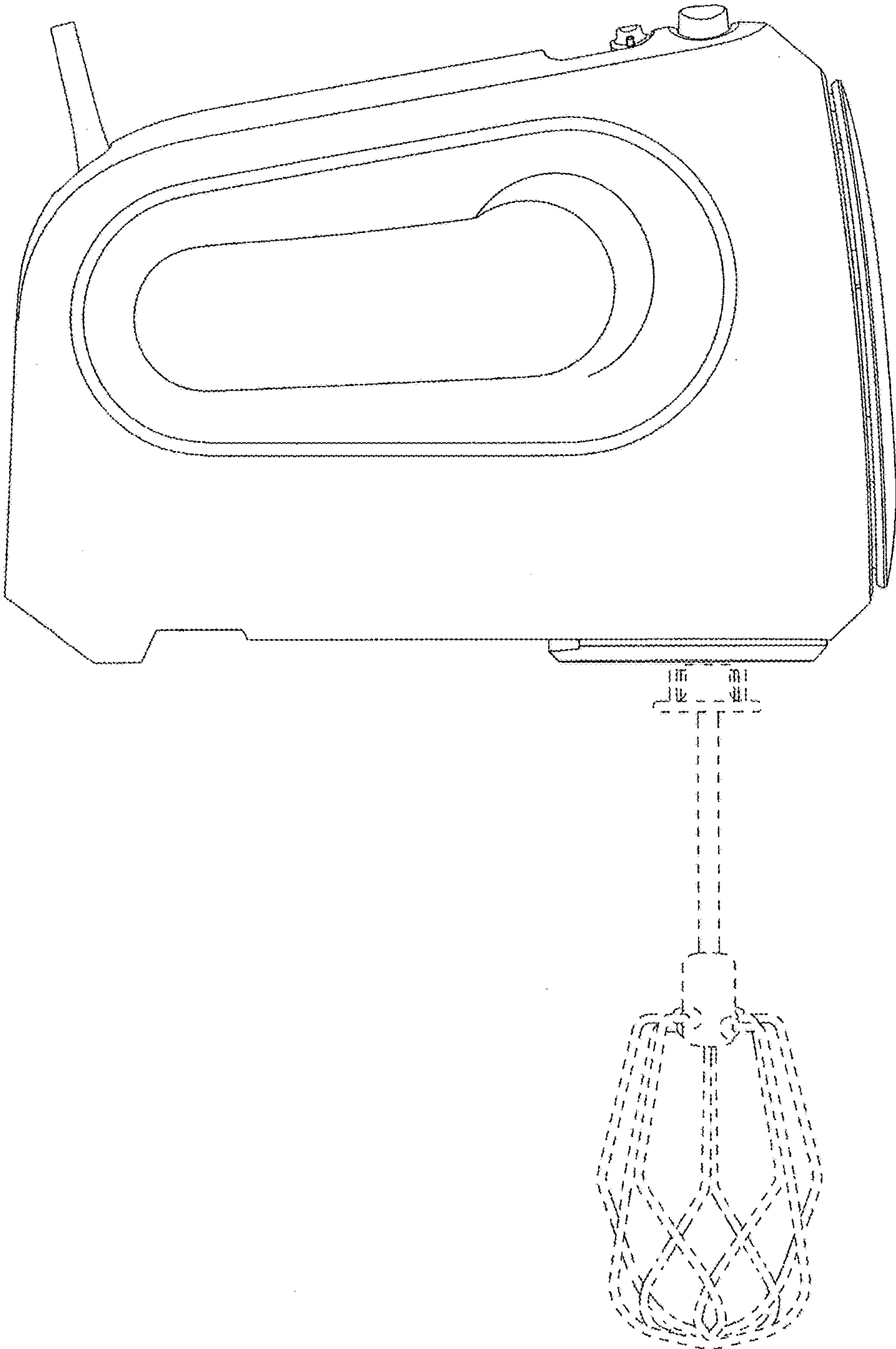


Fig. 4

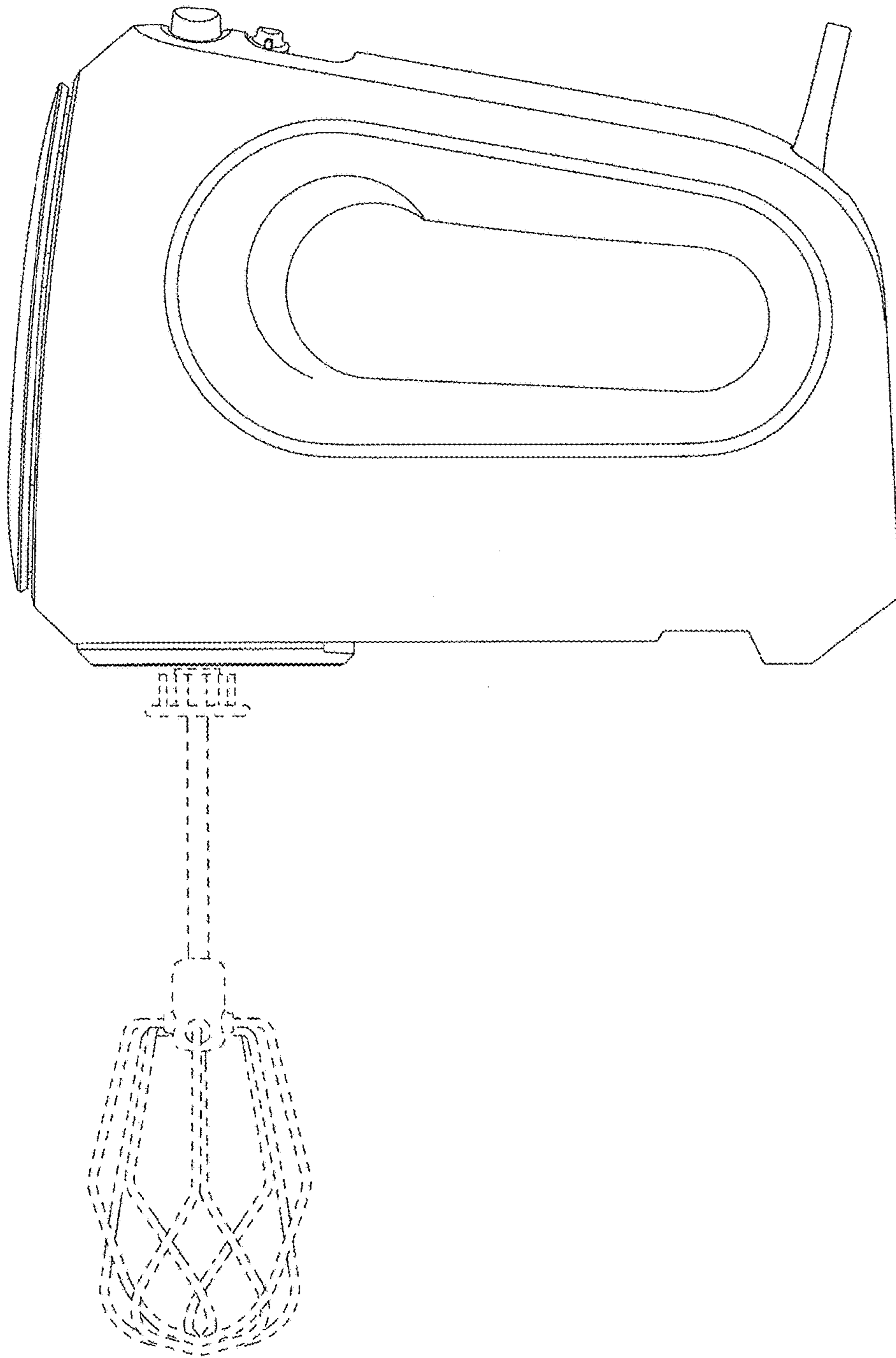


Fig. 5

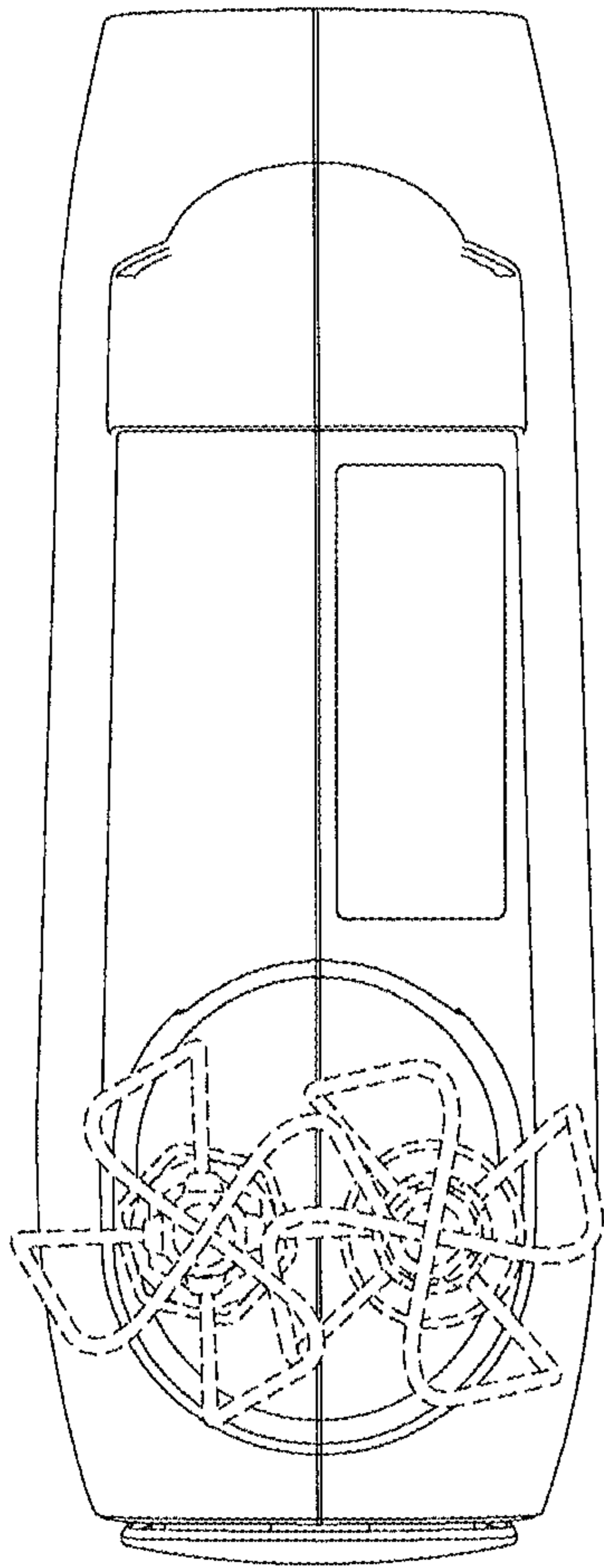


Fig. 6

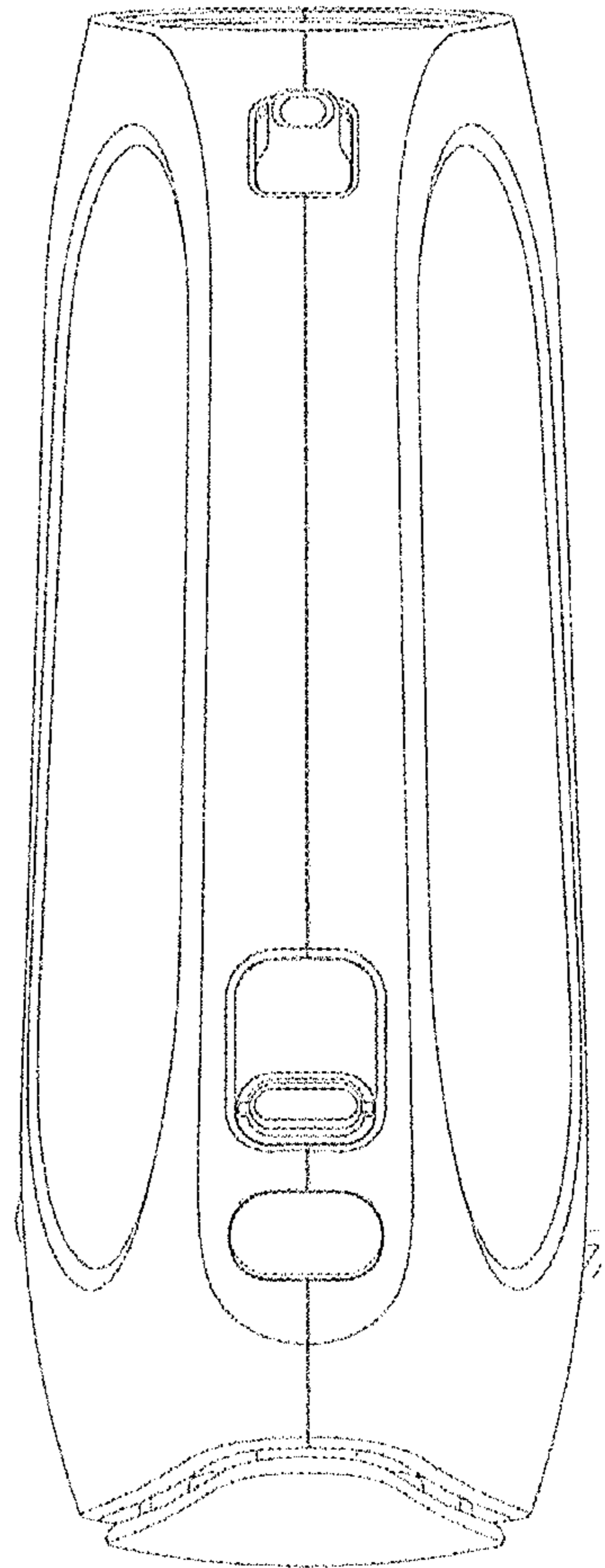


Fig. 7