



US00D830761S

(12) **United States Design Patent**
Kim

(10) **Patent No.:** **US D830,761 S**
(45) **Date of Patent:** **** Oct. 16, 2018**

- (54) **PORTABLE ELECTRIC BURNER**
- (71) Applicant: **KOVEA CO., LTD.**, Bucheon-si (KR)
- (72) Inventor: **Sang Hyun Kim**, Incheon (KR)
- (73) Assignee: **KOVEA CO., LTD.**, Bucheon-si (KR)
- (**) Term: **15 Years**
- (21) Appl. No.: **29/586,505**
- (22) Filed: **Dec. 5, 2016**

(30) **Foreign Application Priority Data**

Jun. 15, 2016 (KR) 30-2016-0028913

(51) **LOC (11) Cl.** **07-02**

(52) **U.S. Cl.**
USPC **D7/362**

(58) **Field of Classification Search**

USPC D7/354-365, 367, 402-404, 407-409,
D7/417, 339, 346, 347, 332-334

CPC A47J 47/02; A47J 47/14; A47J 2027/043;
A47J 27/04; A47J 27/05; A47J 27/17;
A47J 27/16; A47J 33/00; A23L 5/13;
B65D 39/00; B65D 43/00; B65D 43/02;
B65D 43/14; F24C 15/10; F24C 15/101;
F24C 15/102; F24C 15/107; F24C
15/108; F24C 15/26; F24C 3/14; F24C
1/16; F24C 5/20; F23D 14/06; F23D
14/38; F23D 14/56; F23D 14/465; F23D
14/52; F23D 2900/14062; F23D
2900/14063; H05B 6/02; H05B 6/06;
H05B 6/062; H05B 6/12; H05B 6/1209;
H05B 2213/07

See application file for complete search history.

(56) **References Cited**

U.S. PATENT DOCUMENTS

- 1,342,072 A * 6/1920 Taylor F24B 1/022
126/306
- 1,362,878 A * 12/1920 Ladd A47J 27/0808
220/323

- 1,440,309 A * 12/1922 Miclaush F23D 11/44
431/218
- 1,545,449 A * 7/1925 Pickard F24C 5/20
126/38
- 2,190,139 A * 2/1940 Stockell F24B 1/202
126/25 R
- D145,546 S * 9/1946 Watts D7/358
- 2,845,924 A * 8/1958 Benda F24C 1/16
126/15 R
- 3,192,918 A * 7/1965 Ridgway A47J 37/079
126/25 B

(Continued)

OTHER PUBLICATIONS

Kovea Induction Stove—Portable Induction Electric Burner, posted Nov. 22, 2016 [online], retrieved Jul. 30, 2018, retrieved from internet, <<https://www.gearshout.net/kovea-induction-stove-portativnaya-indukcionnaya-elektricheskaya-gorelka/>>.*

(Continued)

Primary Examiner — Barbara Fox

Assistant Examiner — Messina L Smith

(74) *Attorney, Agent, or Firm* — Cantor Colburn LLP

(57)

CLAIM

The ornamental design for a portable electric burner, as shown and described.

DESCRIPTION

FIG. 1 is a top and front side perspective view of a portable electric burner showing my new design;
 FIG. 2 is a front elevational view thereof;
 FIG. 3 is a rear elevational view thereof;
 FIG. 4 is a left side elevational view thereof;
 FIG. 5 is a right side elevational view thereof;
 FIG. 6 is a top plan view thereof;
 FIG. 7 is a bottom plan view thereof; and,
 FIG. 8 is a bottom and rear side perspective view thereof.

1 Claim, 8 Drawing Sheets

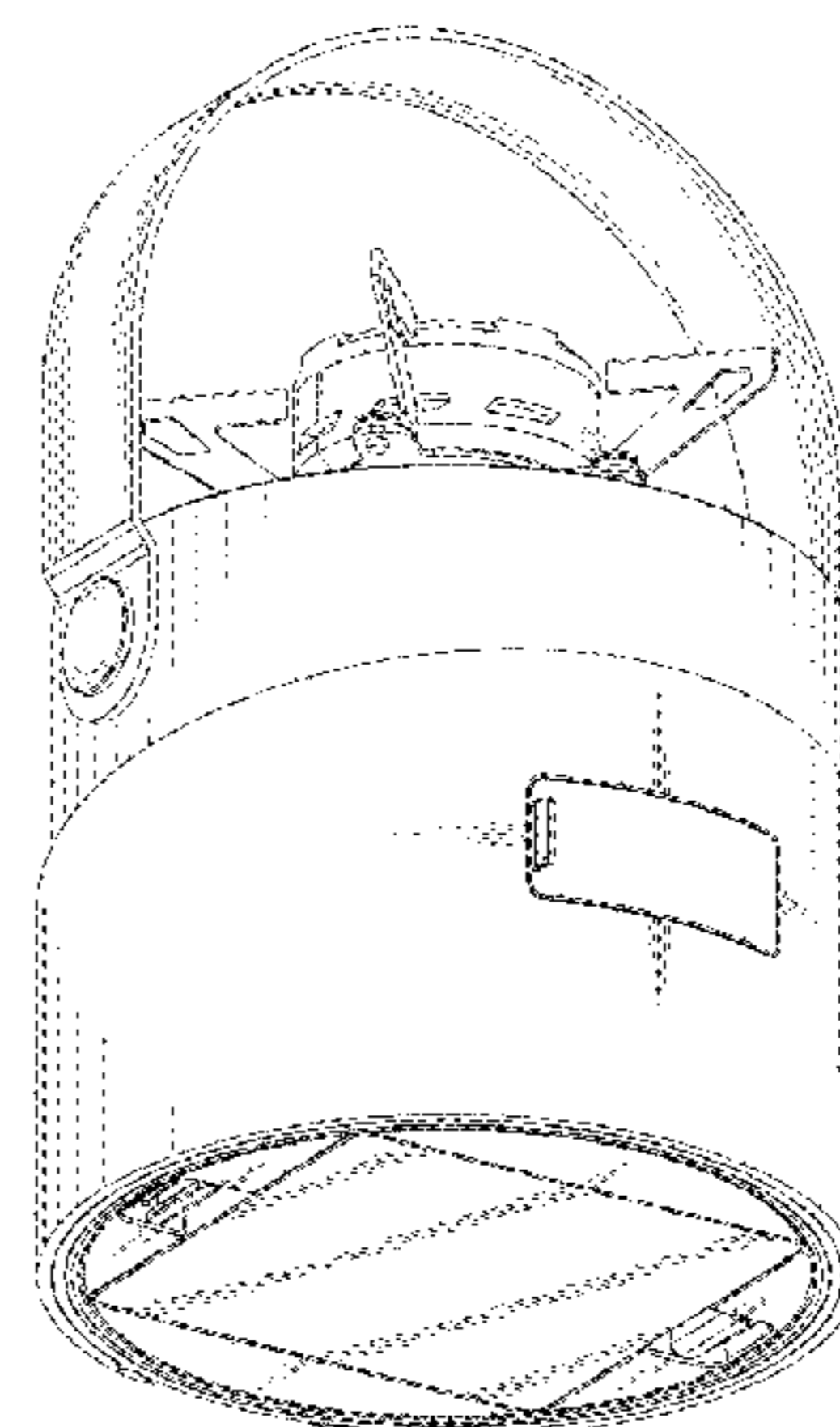
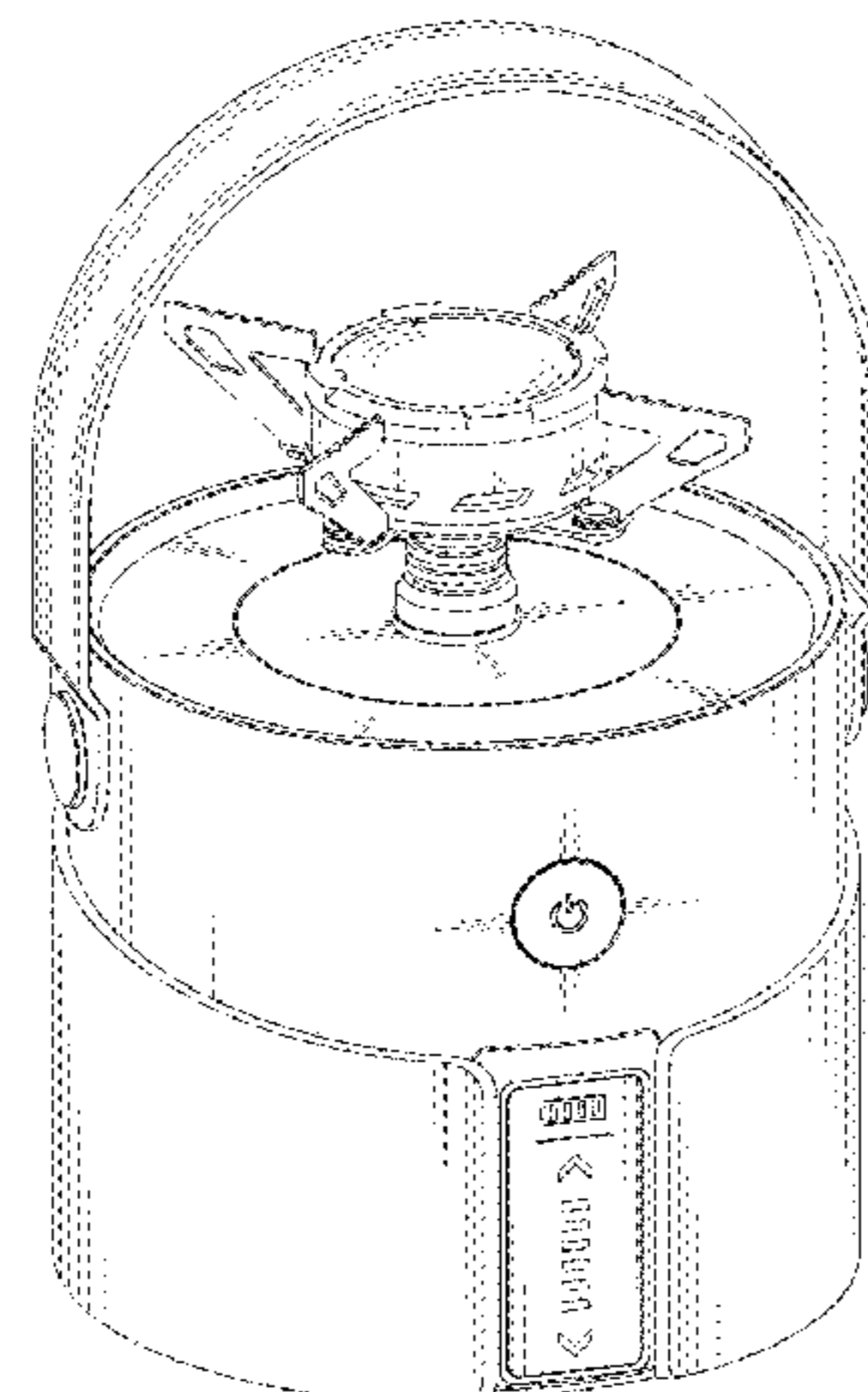


FIG. 1

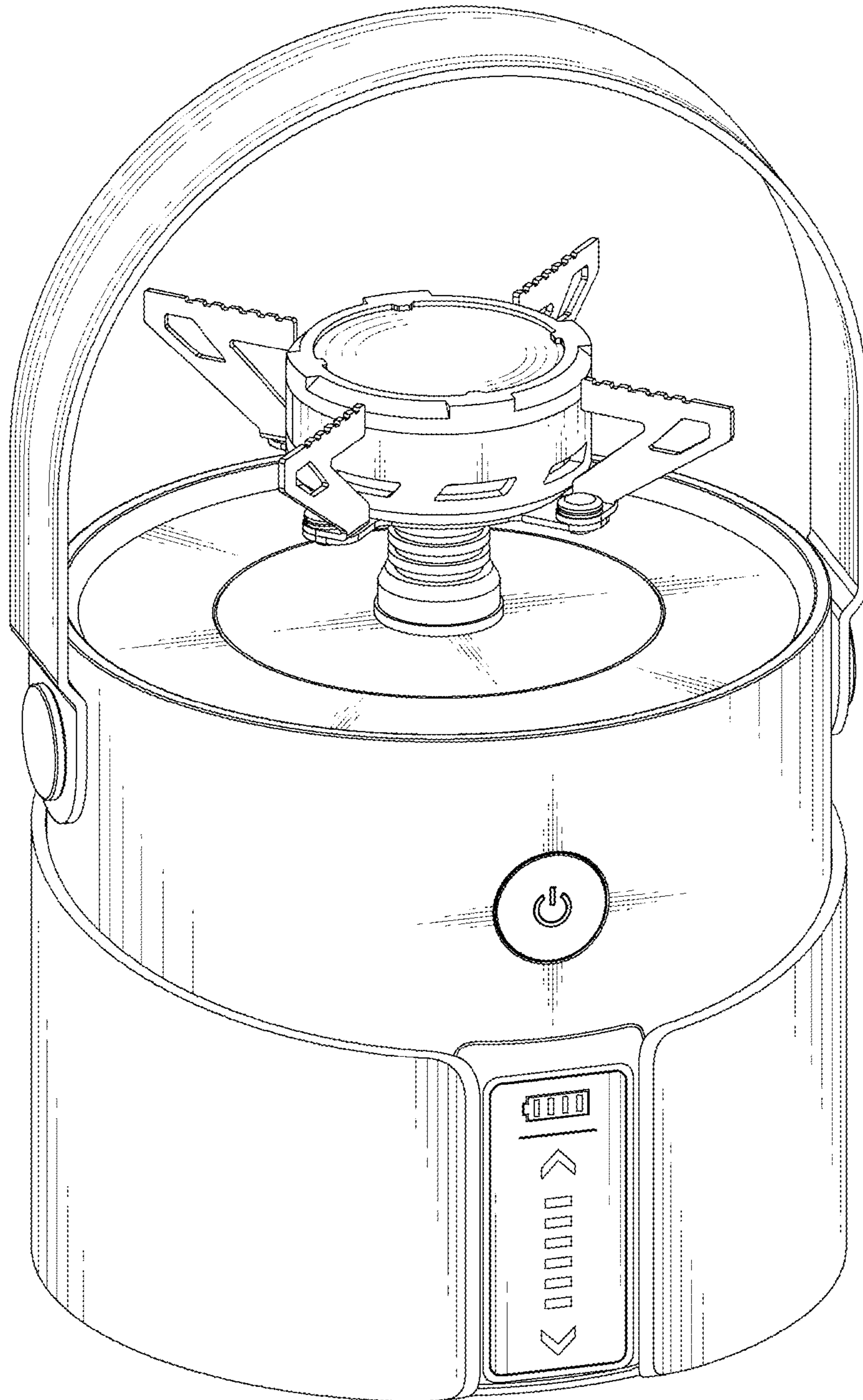


FIG. 2

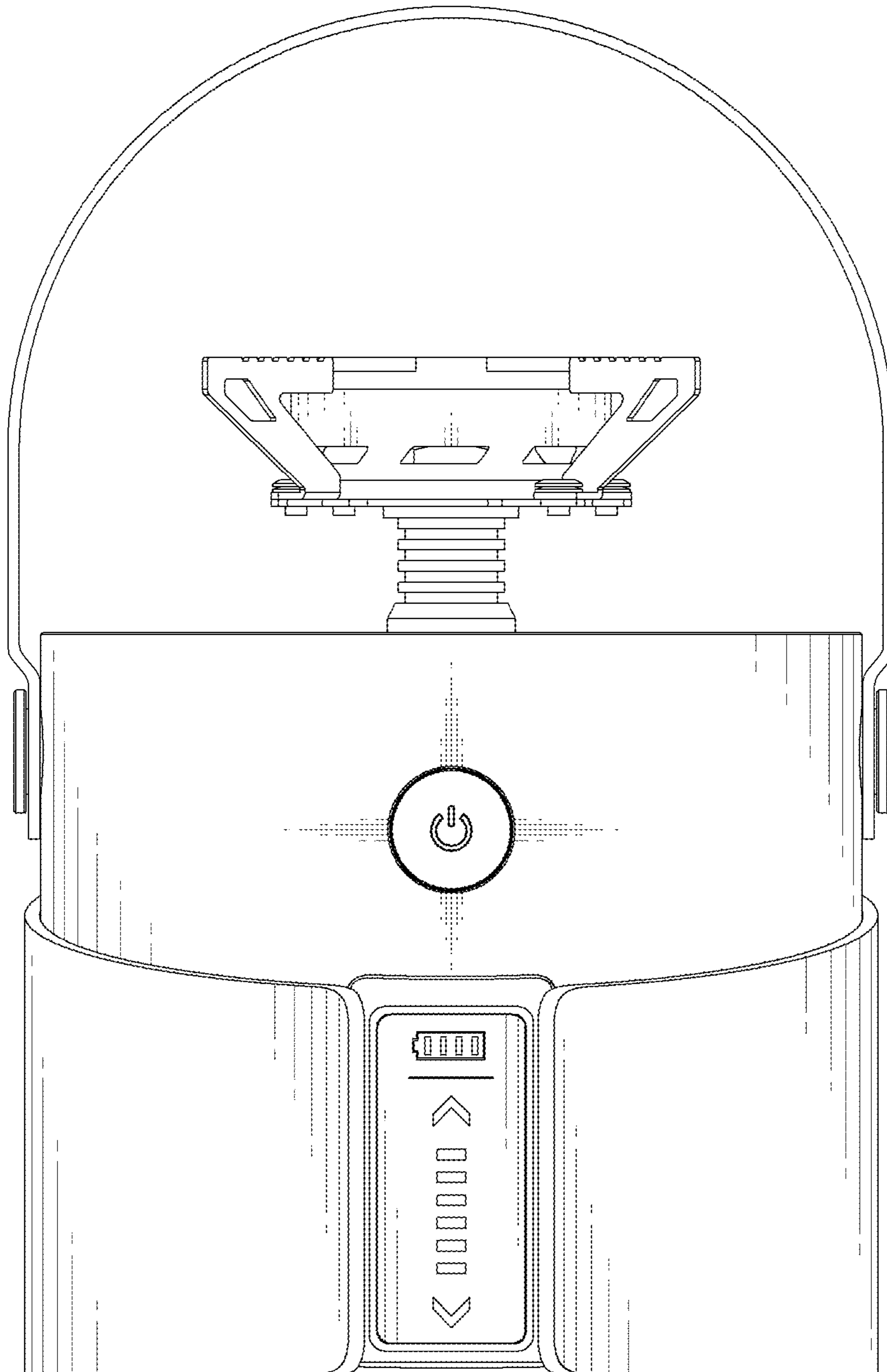


FIG. 3

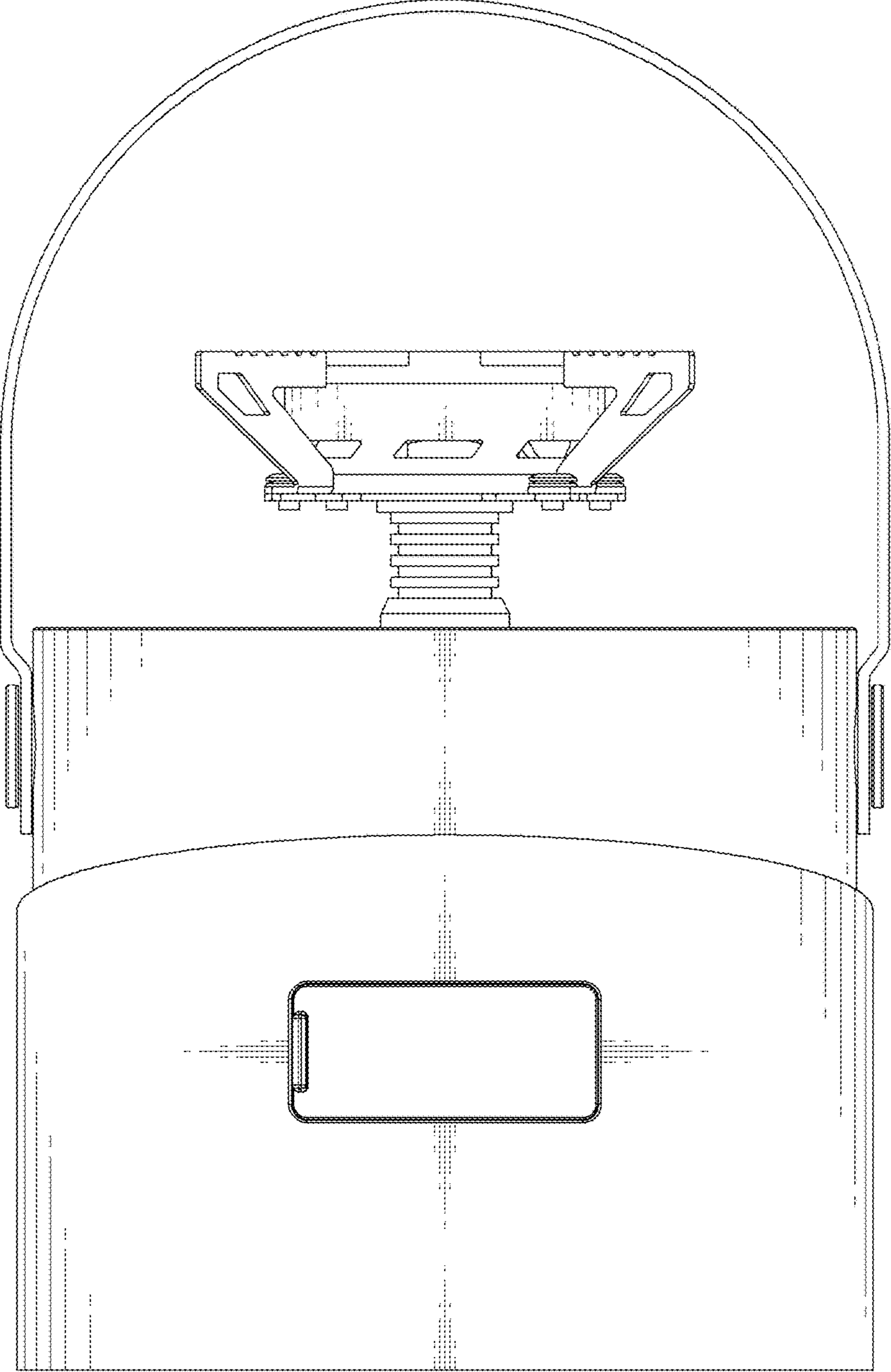


FIG. 4

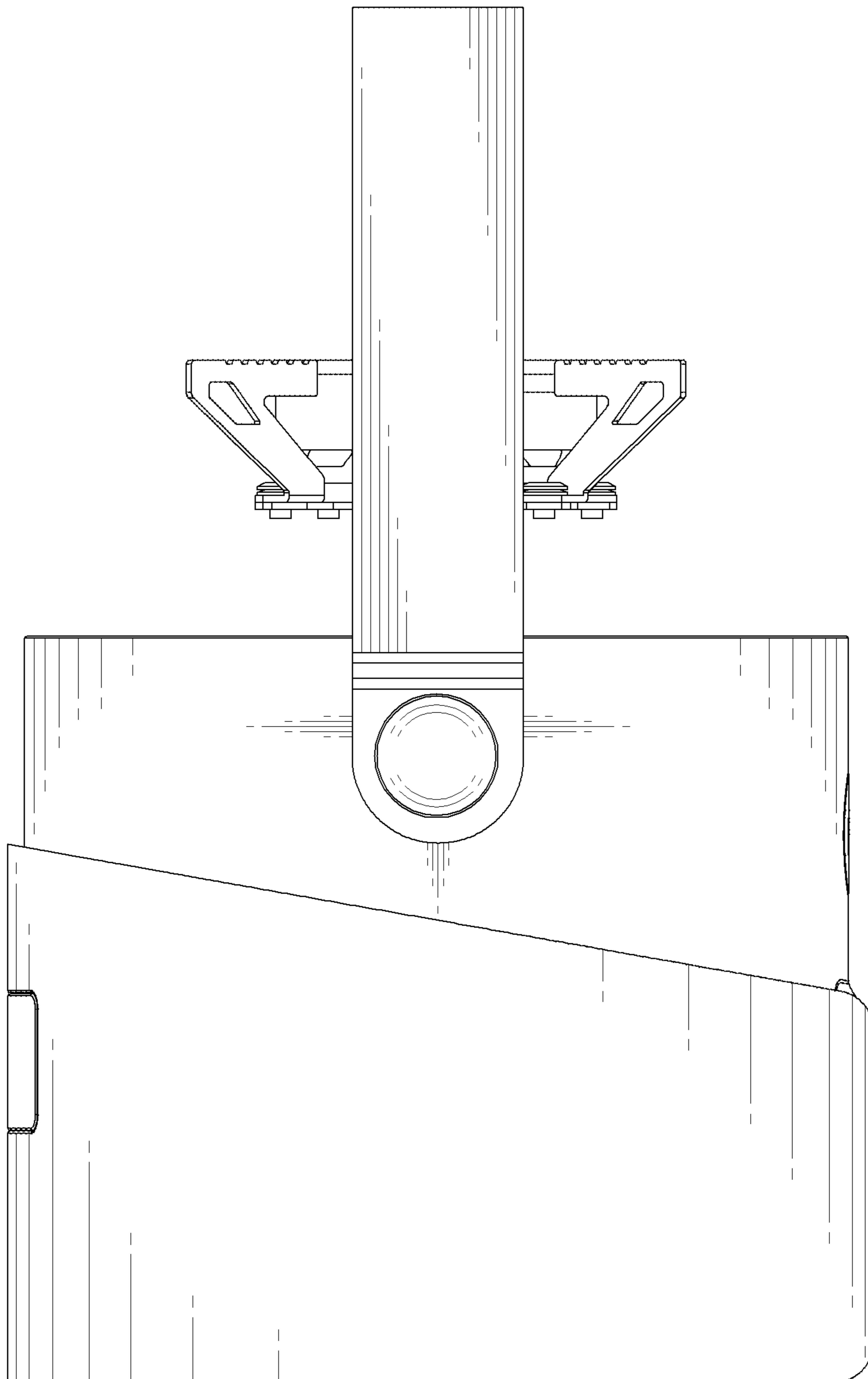


FIG. 5

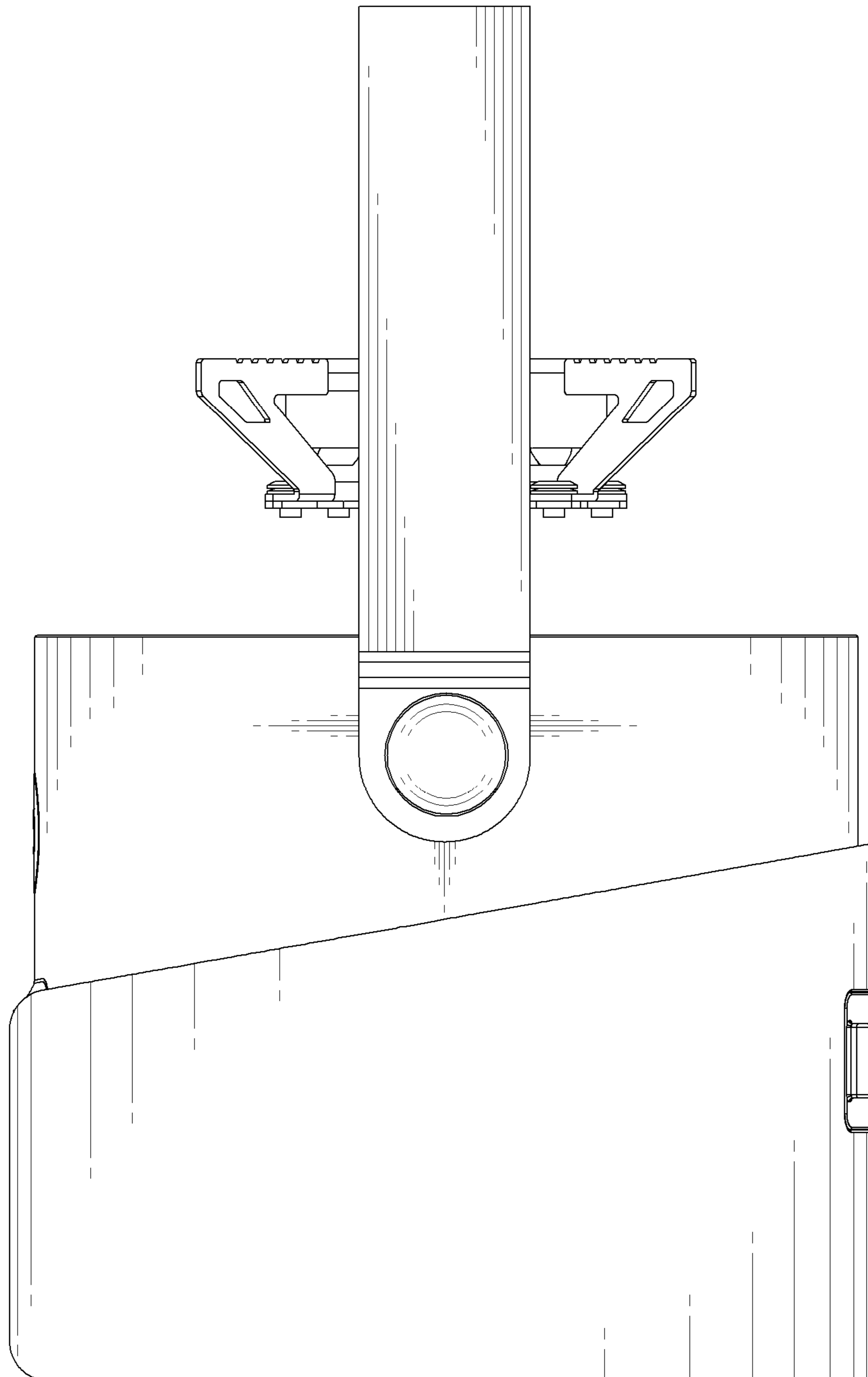


FIG. 6

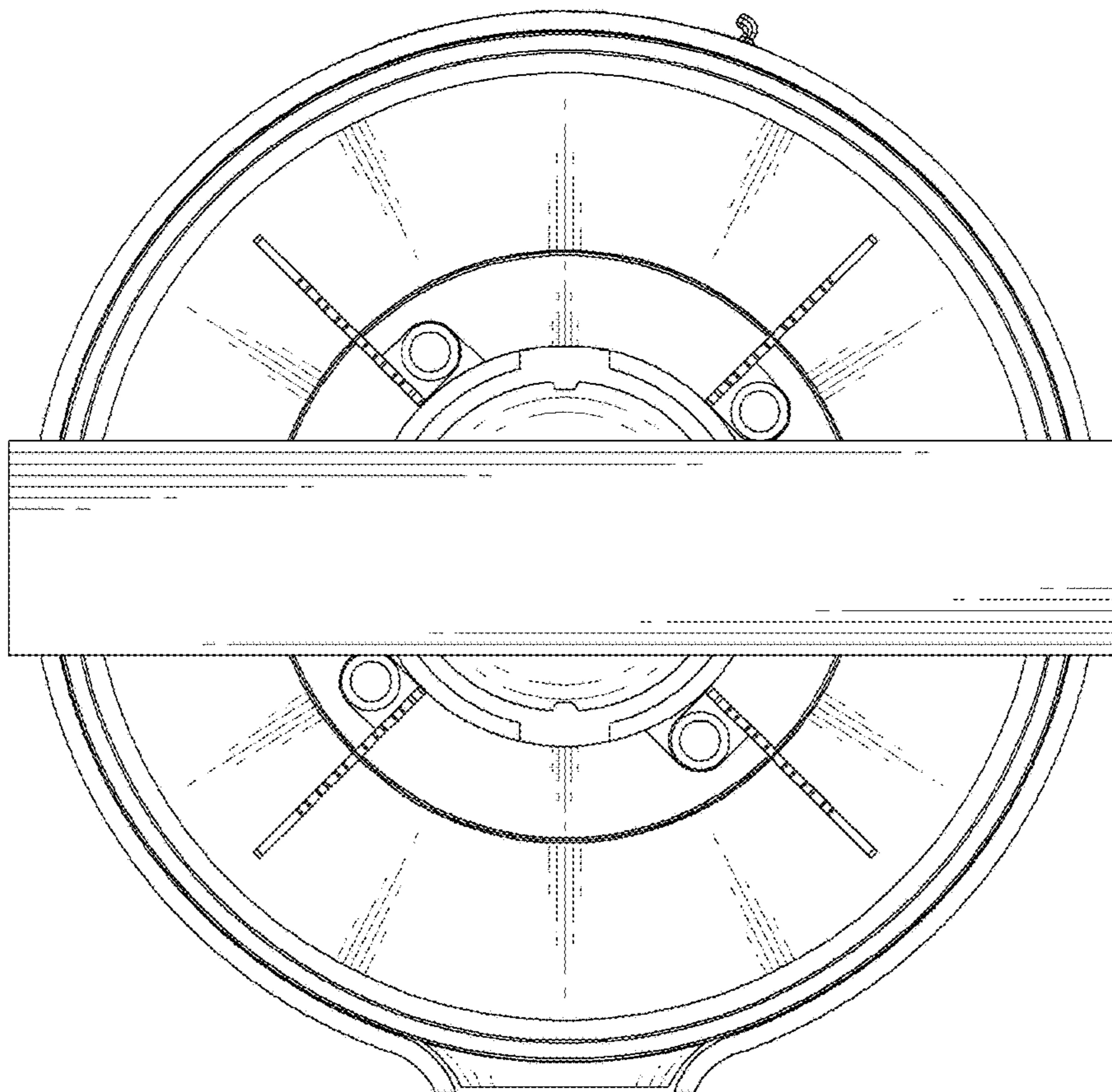


FIG. 7

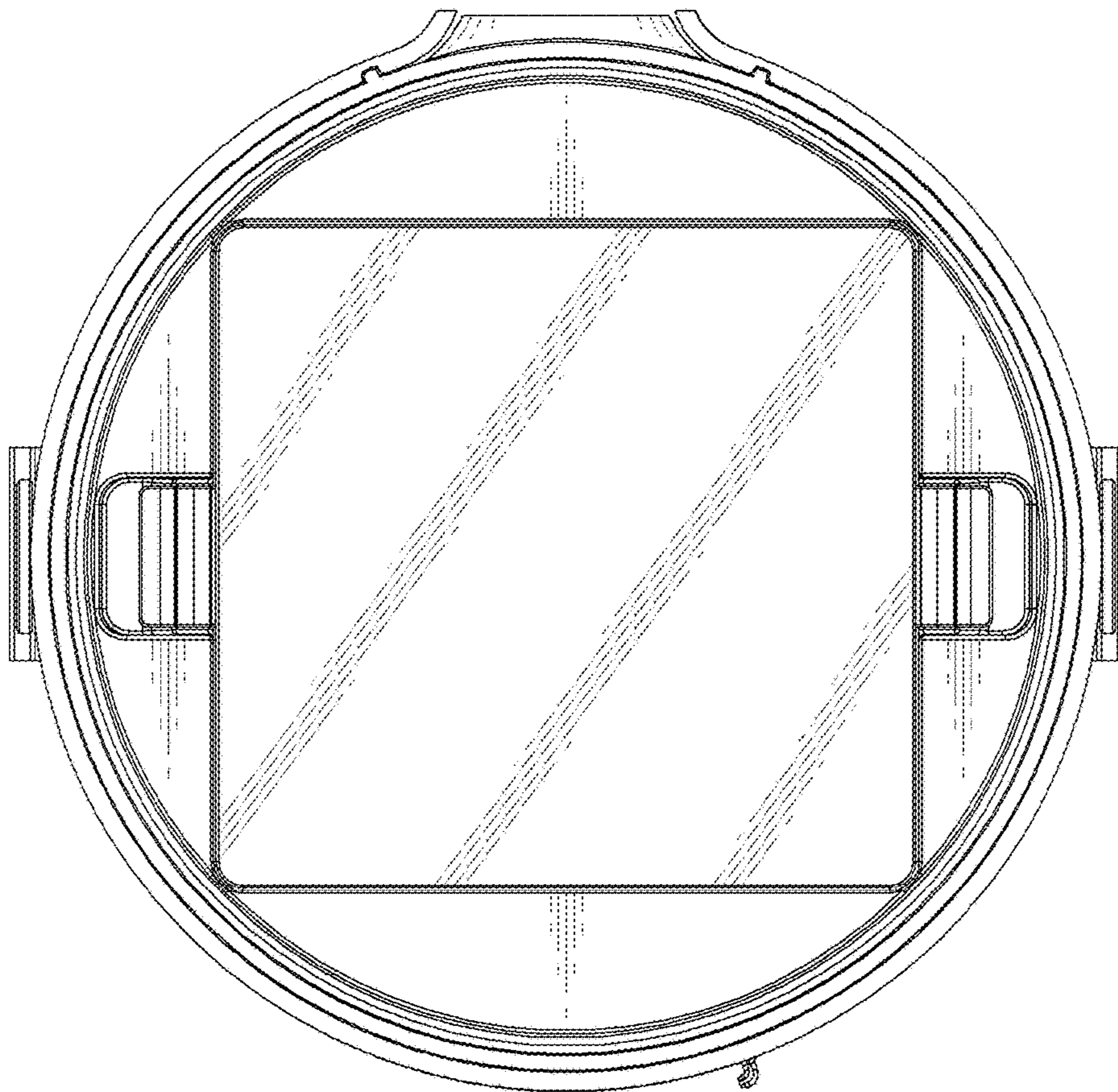


FIG. 8

