



US00D830760S

(12) **United States Design Patent**  
**Wessels**

(10) **Patent No.:** **US D830,760 S**  
(45) **Date of Patent:** **\*\* Oct. 16, 2018**

- (54) **ELECTRIC GRILL**
- (71) Applicant: **TEFAL**, Rumilly (FR)
- (72) Inventor: **Nils Wessels**, Caluire-et-Cuire (FR)
- (73) Assignee: **TEFAL**, Rumilly (FR)
- (\*\*) Term: **15 Years**
- (21) Appl. No.: **29/617,964**
- (22) Filed: **Sep. 18, 2017**
- (30) **Foreign Application Priority Data**  
Mar. 17, 2017 (EM) ..... 003806025-0001
- (51) **LOC (11) Cl.** ..... **07-02**
- (52) **U.S. Cl.**  
USPC ..... **D7/352**
- (58) **Field of Classification Search**  
USPC ..... D7/323, 328-330, 337, 347, 352-364,  
D7/367, 402, 409-411  
CPC . A21B 5/023; A47J 27/60; A47J 27/62; A47J  
36/36; A47J 37/04; A47J 37/06; A47J  
37/067; A47J 37/0605; A47J 37/0611;  
A47J 37/0623; A47J 37/0629; A47J  
37/0676; A47J 37/105; A47J 2037/06;  
A47J 2037/0611; B01D 46/10; F24C  
15/10; F24C 15/102; H05B 6/02; H05B  
6/062  
See application file for complete search history.

- D591,550 S 5/2009 Lam
- 7,717,028 B2 \* 5/2010 Serra ..... A47J 37/0611  
99/339
- D622,538 S 8/2010 Hoare et al.
- D632,127 S 2/2011 Whitcombe
- D634,969 S 3/2011 De' Longhi
- 7,963,215 B2 6/2011 Ho et al.
- D644,477 S 9/2011 Burton et al.
- 8,156,860 B2 4/2012 Liu et al.
- D670,530 S 11/2012 Huber et al.
- D671,791 S 12/2012 Cesaroni et al.
- D679,129 S 4/2013 Cesaroni et al.
- D694,570 S \* 12/2013 Day ..... D7/352
- D697,360 S 1/2014 Josancy
- D714,092 S 9/2014 Verbrugge
- D715,085 S 10/2014 Piret
- D715,086 S 10/2014 Piret
- D731,228 S 6/2015 Garman
- D760,532 S 7/2016 Koszylko
- 9,392,899 B2 \* 7/2016 Fung ..... A47J 27/62
- 9,402,506 B2 \* 8/2016 Fung ..... A47J 37/0611

(Continued)

*Primary Examiner* — Ricky Pham  
(74) *Attorney, Agent, or Firm* — Loeb & Loeb LLP

(57) **CLAIM**

The ornamental design for an electric grill, as shown and described.

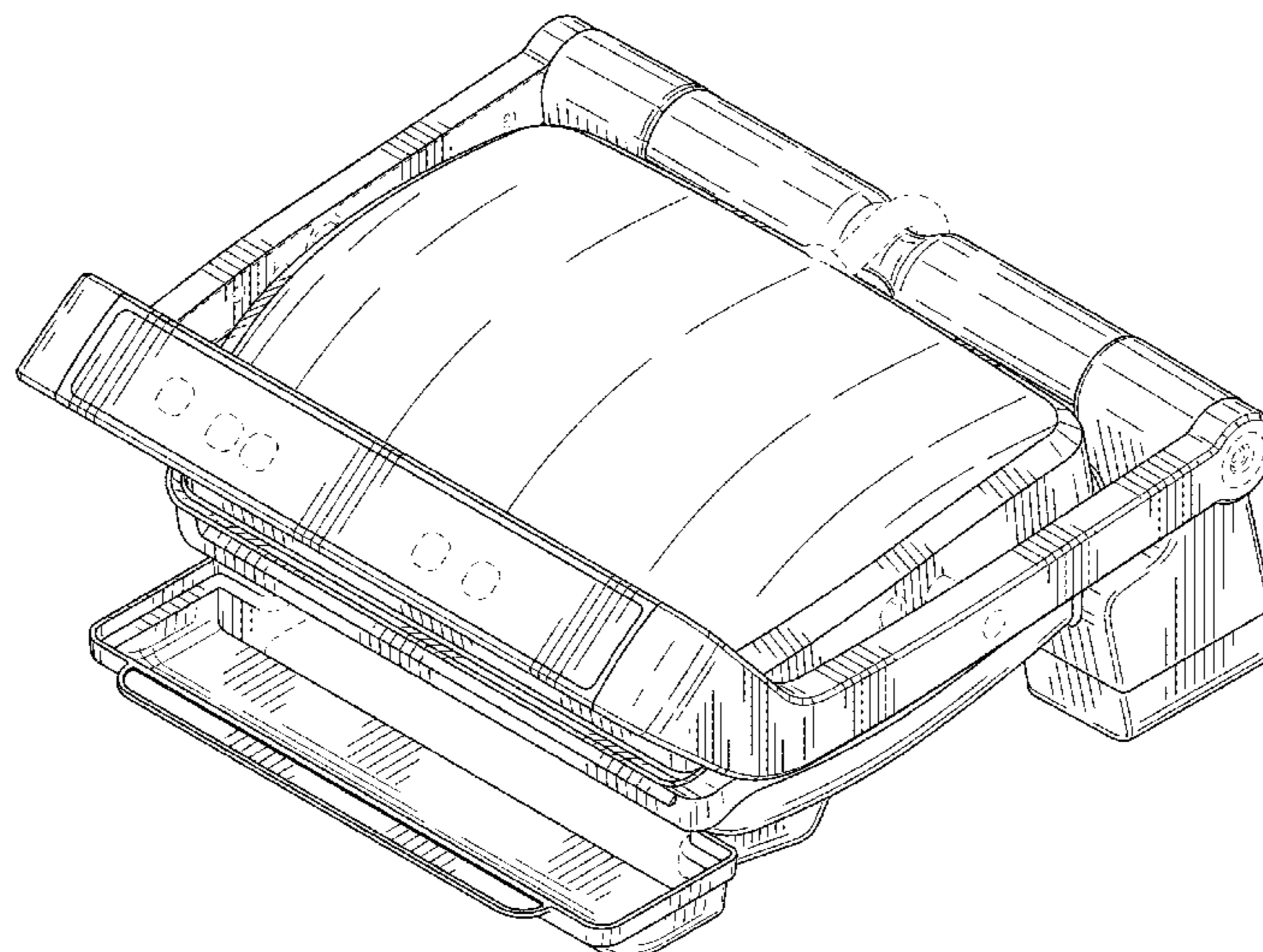
**DESCRIPTION**

FIG. 1 is a perspective view of an electric grill showing my new design;  
FIG. 2 is a front elevational view thereof;  
FIG. 3 is a back elevational view thereof;  
FIG. 4 is a right side elevational view thereof;  
FIG. 5 is a left side elevational view thereof;  
FIG. 6 is a top view thereof; and,  
FIG. 7 is a bottom view thereof.

The broken lines shown in the drawings are for the purpose of illustrating portions of the electric grill that form no part of the claimed design.

**1 Claim, 7 Drawing Sheets**

- (56) **References Cited**  
U.S. PATENT DOCUMENTS
- D509,703 S 9/2005 Barker
- D527,941 S 9/2006 Serra
- D528,350 S 9/2006 McHutchison
- D546,619 S 7/2007 McHutchison
- D568,090 S \* 5/2008 Lam ..... D7/352
- D588,858 S 3/2009 Tetreault et al.



(56)

**References Cited**

U.S. PATENT DOCUMENTS

D766,645	S	9/2016	Koszylko	
9,433,319	B2 *	9/2016	Fung .....	A47J 36/36
9,636,618	B2 *	5/2017	Fung .....	B01D 46/10
D801,102	S *	10/2017	Koszylko .....	D7/352
D802,984	S	11/2017	Dutruel	
D811,155	S *	2/2018	De' Longhi .....	D7/352
D817,695	S *	5/2018	Liu .....	D7/352
2005/0139086	A1 *	6/2005	McHutchison .....	A47J 37/0611 99/389
2007/0017384	A1	1/2007	Serra	
2010/0319550	A1 *	12/2010	Wu .....	A47J 37/0611 99/380
2017/0367531	A1 *	12/2017	Yan .....	A47J 37/0611

\* cited by examiner

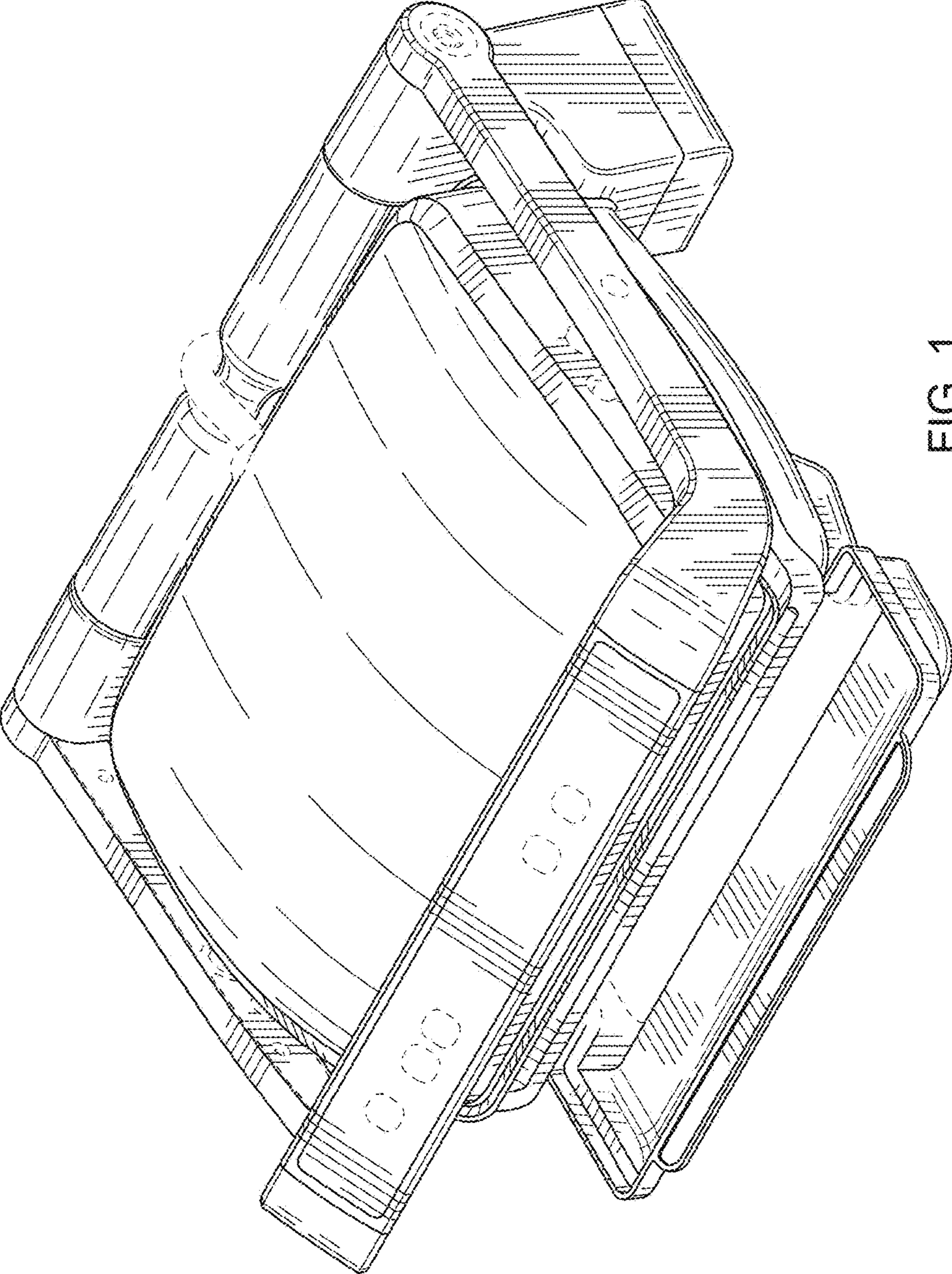


FIG. 1

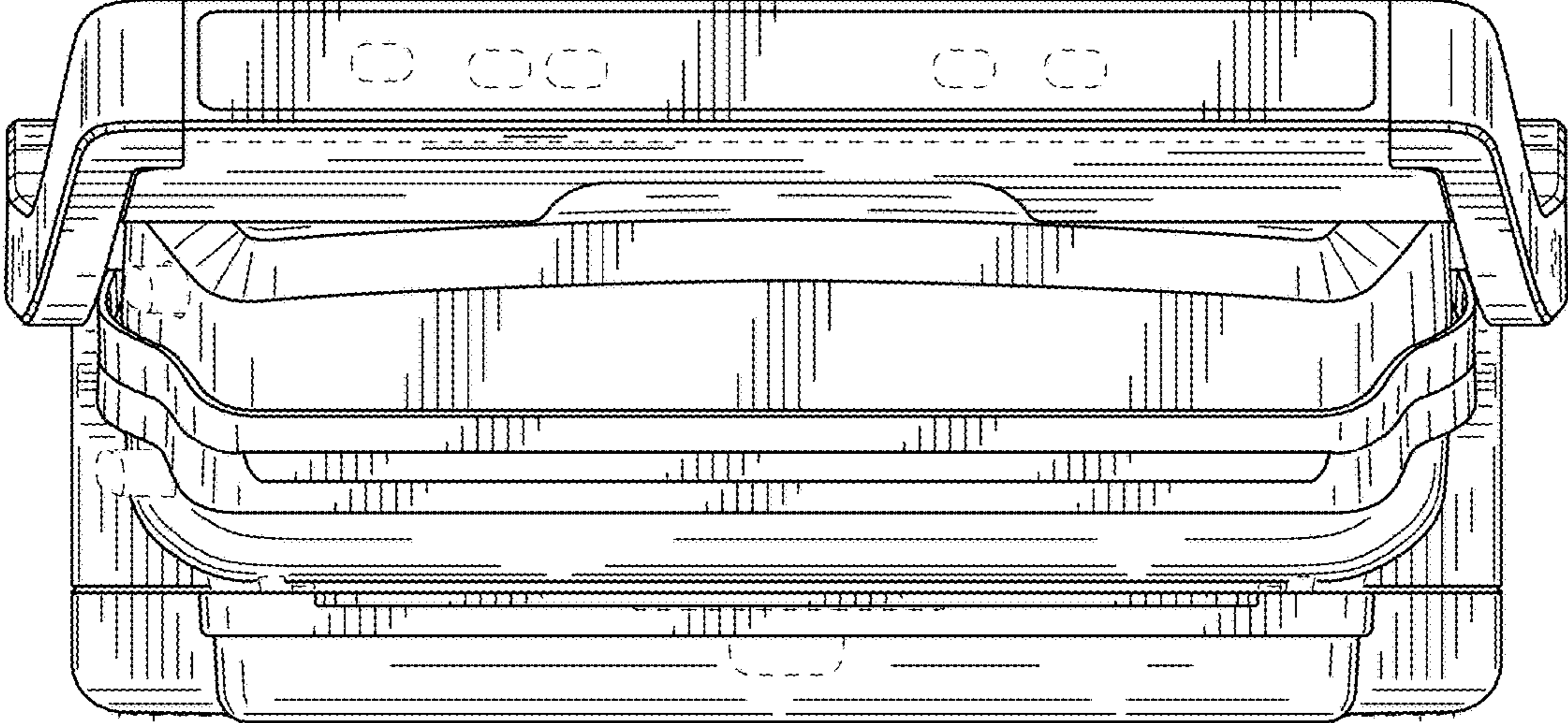


FIG. 2

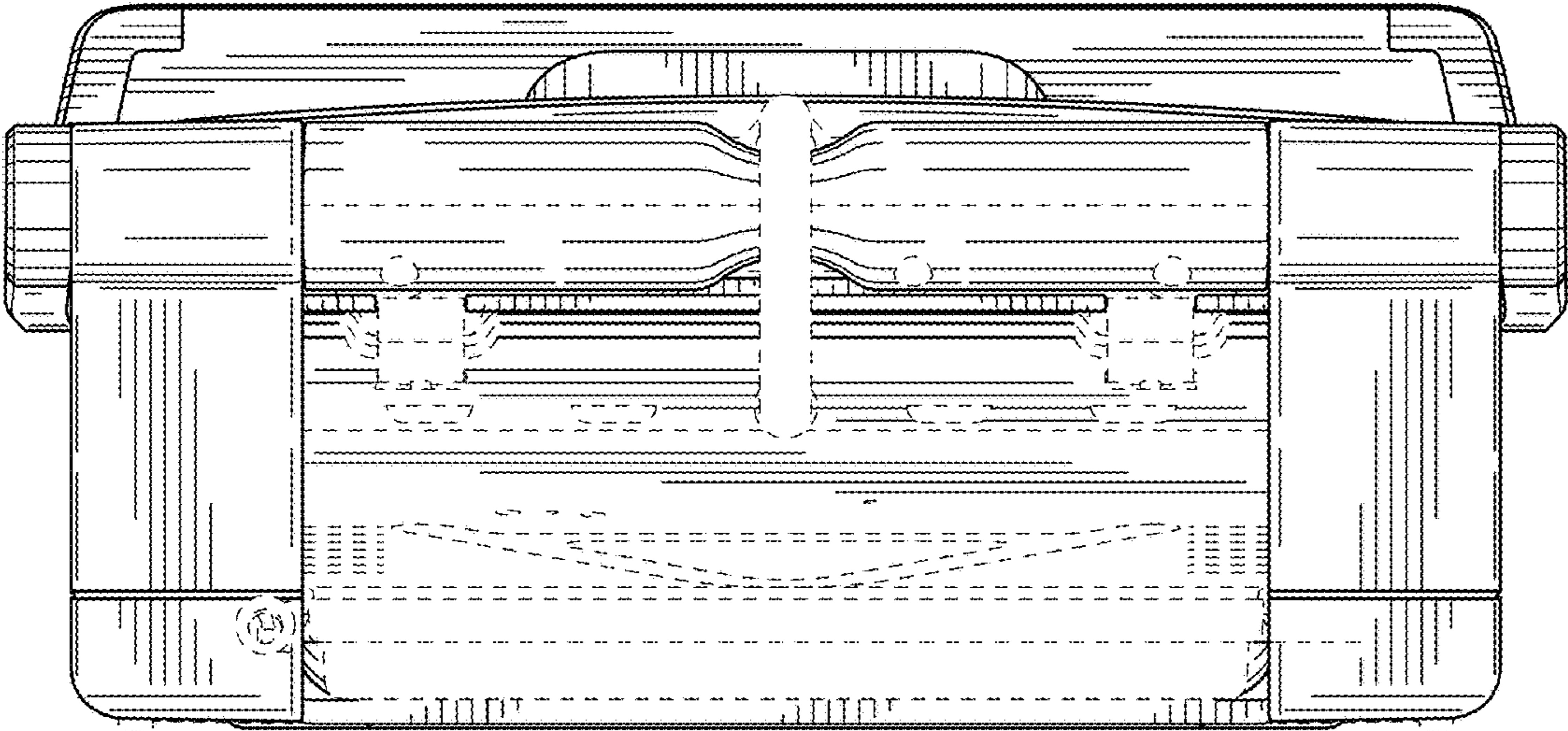


FIG. 3

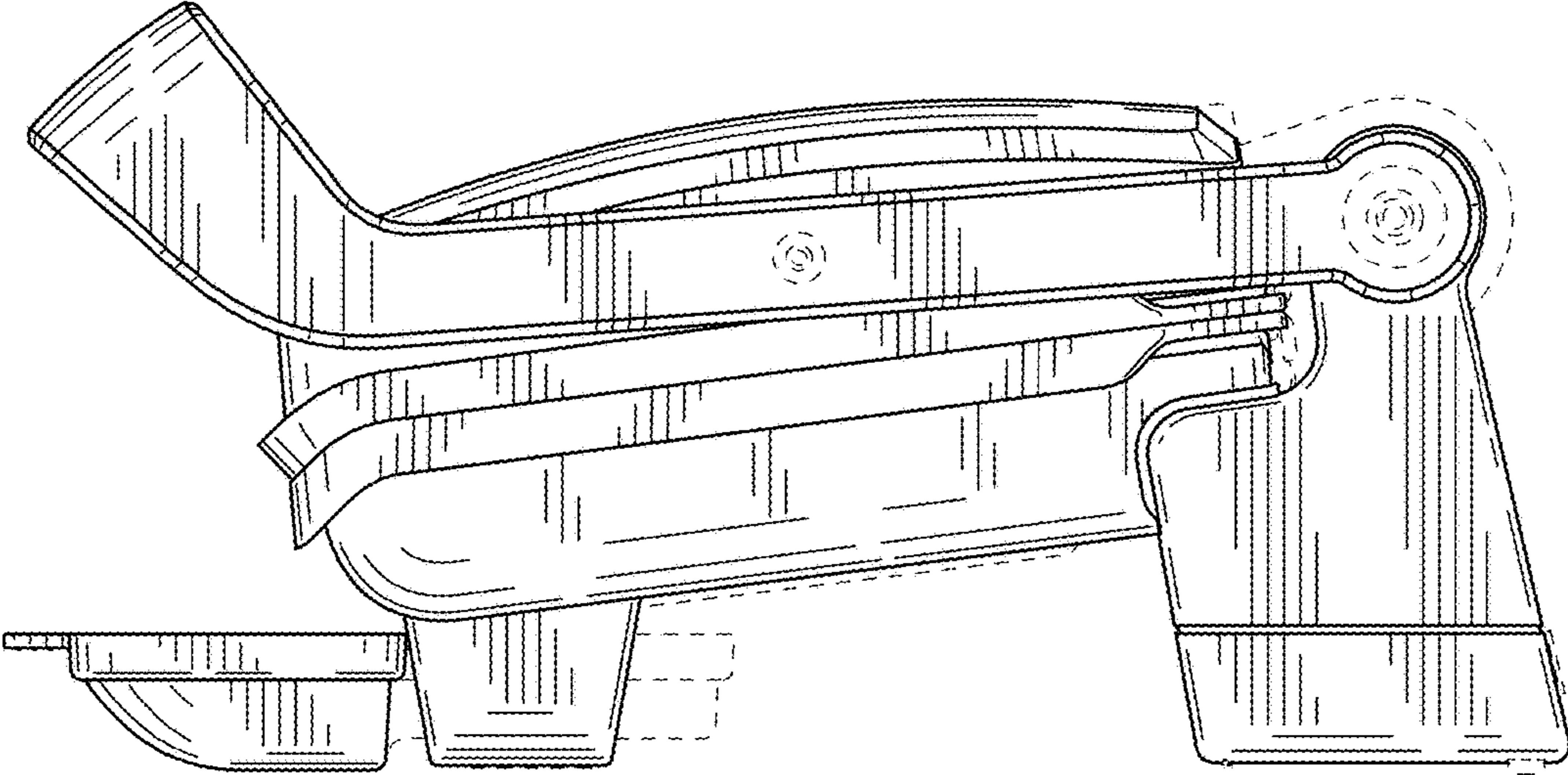


FIG. 4

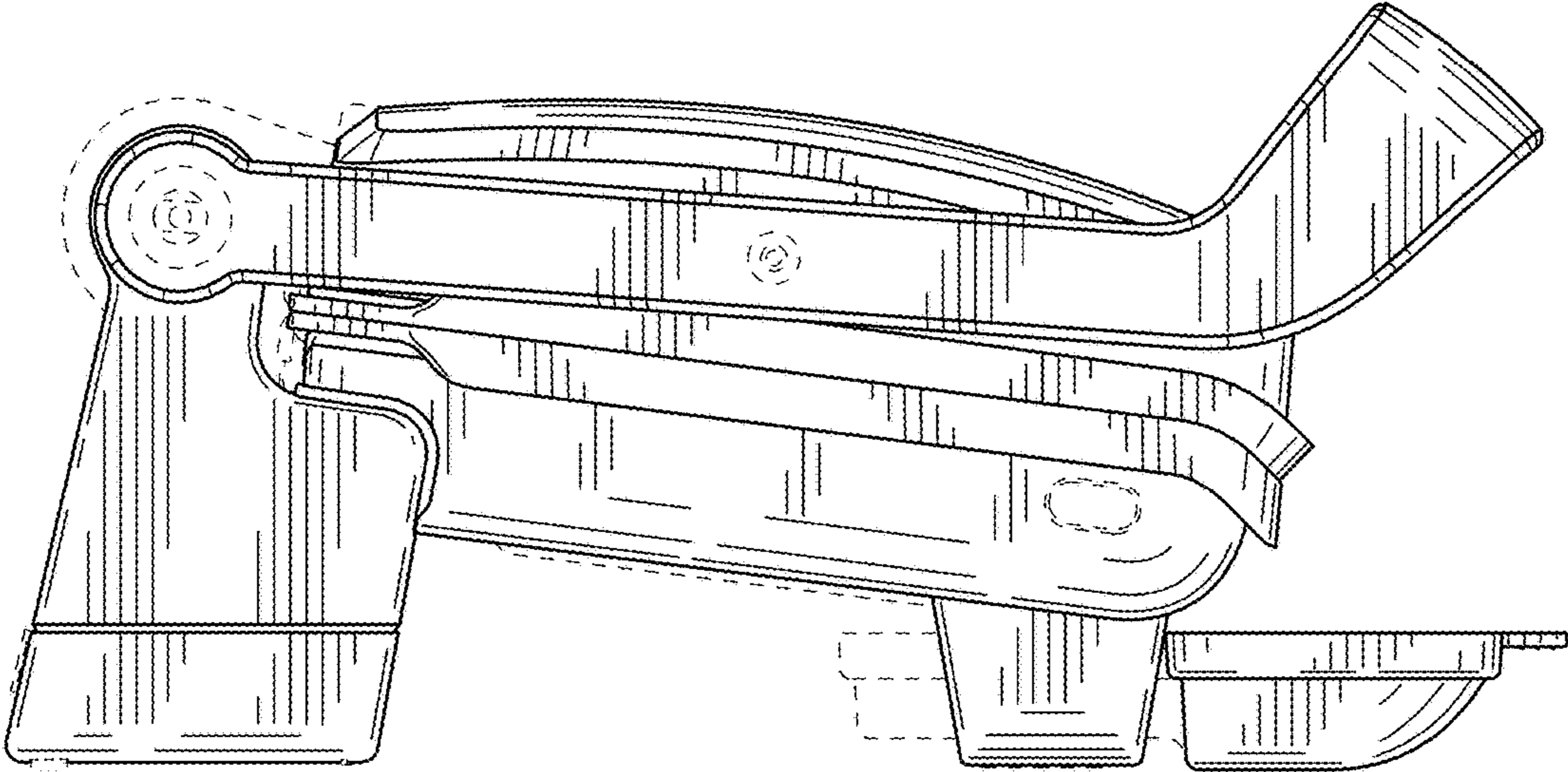


FIG. 5

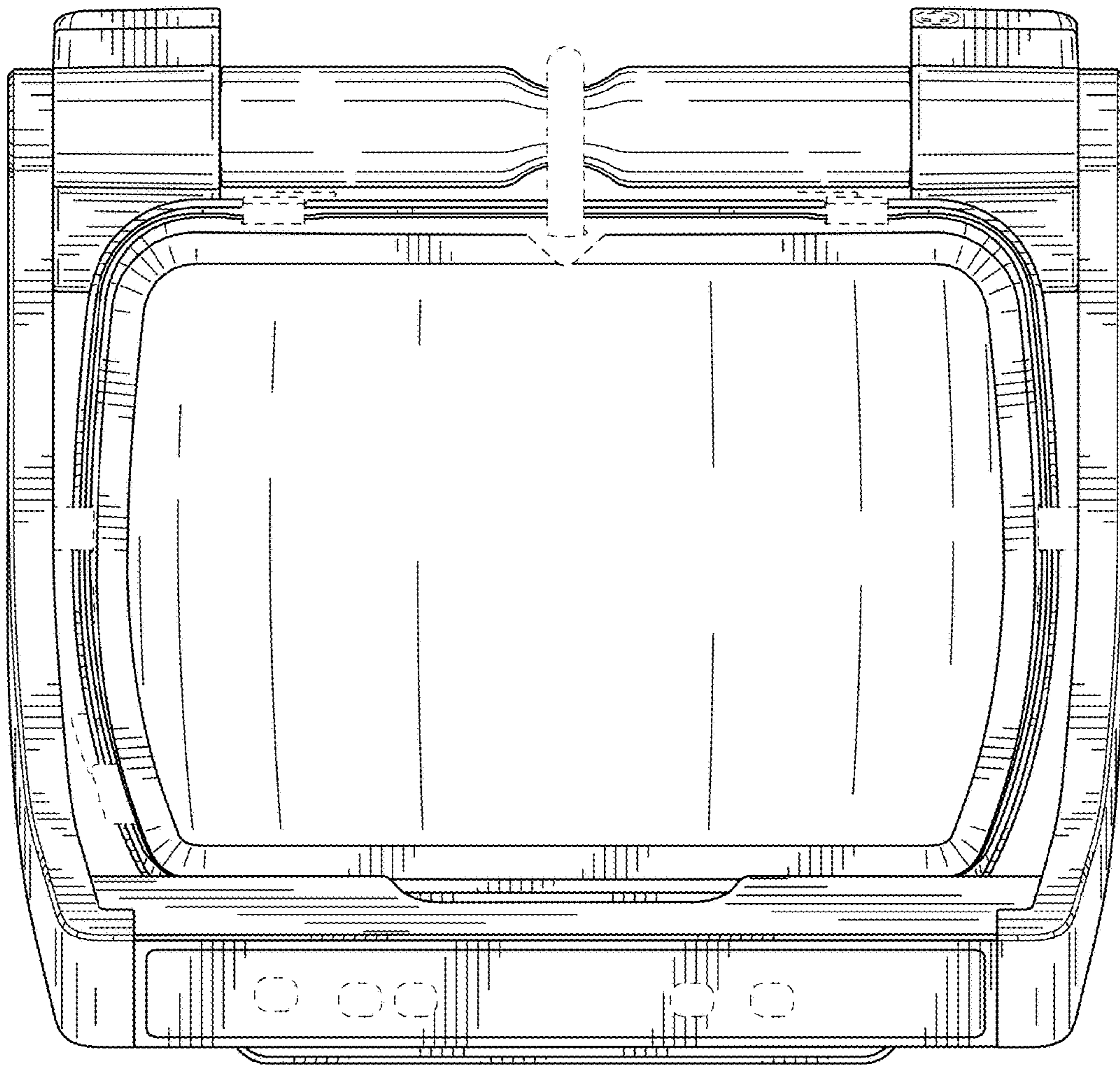


FIG. 6



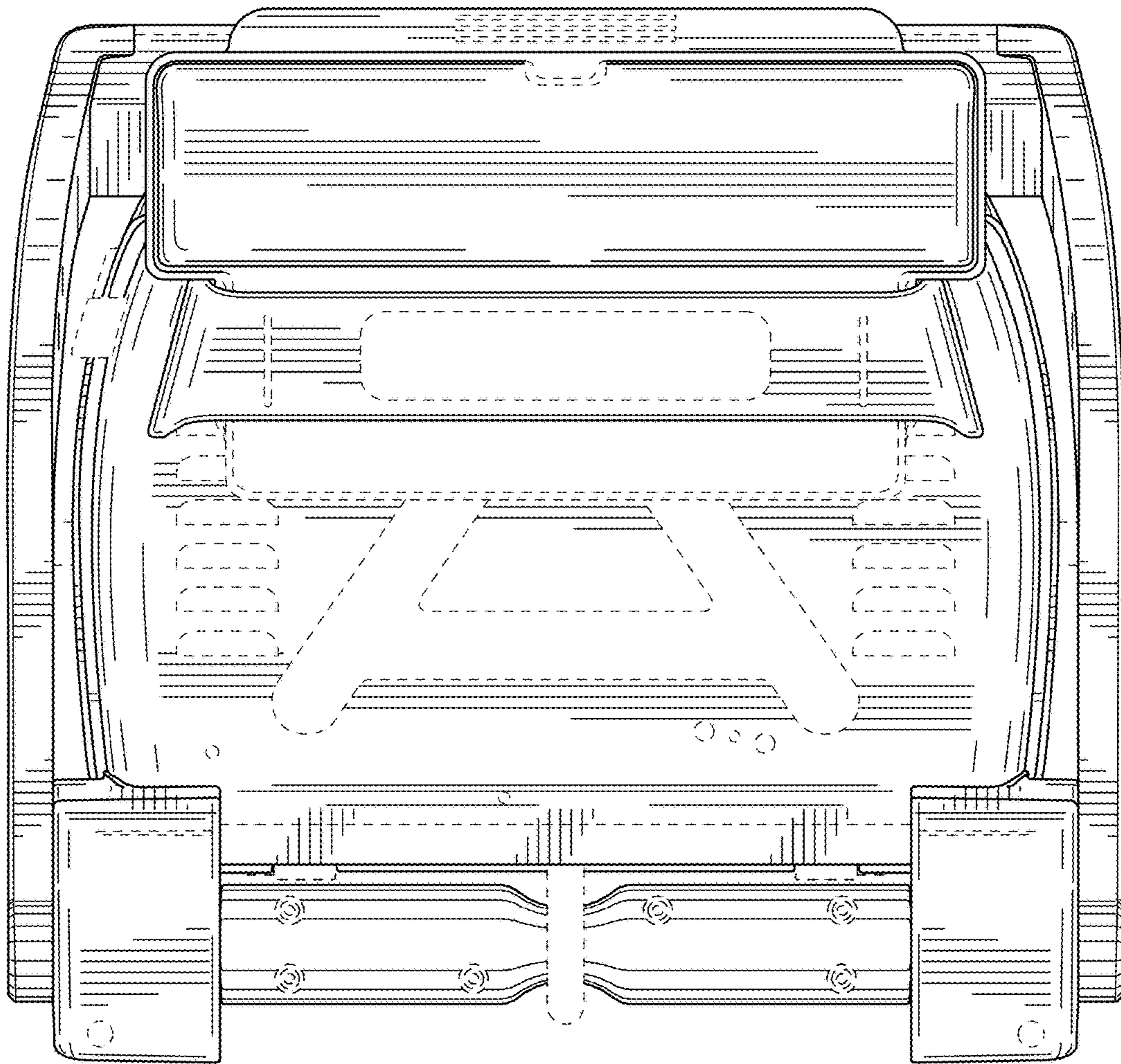


FIG. 7