



US00D830757S

(12) **United States Design Patent**
Lee

(10) **Patent No.:** **US D830,757 S**
(45) **Date of Patent:** **** Oct. 16, 2018**

(54) **COFFEE MAKER**
(71) Applicant: **Geon Mann Lee**, Seoul (KR)
(72) Inventor: **Geon Mann Lee**, Seoul (KR)
(73) Assignee: **TECUM CO., LTD.**, Seoul (KR)

D674,233 S * 1/2013 Lavy D7/309
D675,859 S * 2/2013 De Pra D7/309
D677,510 S * 3/2013 Tetreault D7/309
D678,710 S * 3/2013 Xie D7/309
D713,194 S * 9/2014 Dakis D7/306
D721,531 S * 1/2015 Krasne D7/309
D818,298 S * 5/2018 Kohler D7/306

* cited by examiner

(**) Term: **15 Years**

Primary Examiner — Marianne Pandozzi

(21) Appl. No.: **29/594,047**

(74) *Attorney, Agent, or Firm* — Rabin & Berdo, P.C.

(22) Filed: **Feb. 15, 2017**

(57) **CLAIM**

(30) **Foreign Application Priority Data**

The ornamental design for a coffee maker, as shown and described.

Jan. 24, 2017 (KR) 30-2017-0004035

(51) **LOC (11) Cl.** **07-01**

DESCRIPTION

(52) **U.S. Cl.**

USPC **D7/309**; D7/311

(58) **Field of Classification Search**

USPC D7/306–311; 99/293

CPC A47J 31/46; A47J 31/44; A47J 31/4482;

A47J 31/00

See application file for complete search history.

FIG. 1 is a perspective view of a coffee maker showing my new design;
FIG. 2 is a front elevational view thereof;
FIG. 3 is a rear elevational view thereof;
FIG. 4 is a left side elevational view thereof;
FIG. 5 is a right side elevational view thereof;
FIG. 6 is a top view thereof;
FIG. 7 is a bottom view thereof; and,
FIG. 8 is a perspective view thereof in use.
The broken lines in the drawing depict portions of the coffee maker that form no part of the claimed design.

(56) **References Cited**

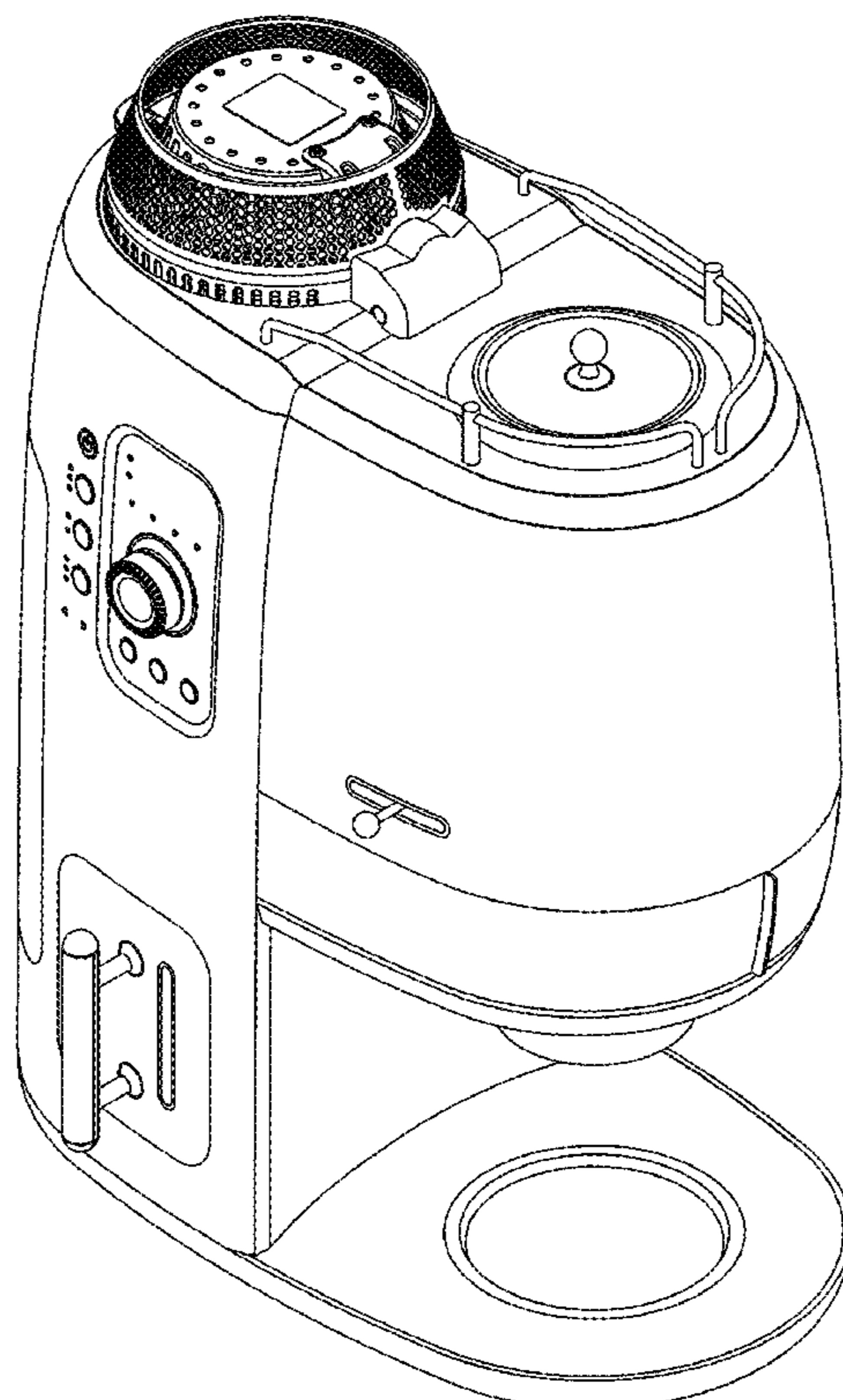
U.S. PATENT DOCUMENTS

4,632,024 A * 12/1986 Cortese A47J 31/46

99/293

D625,136 S * 10/2010 Moriarty D7/309

1 Claim, 8 Drawing Sheets



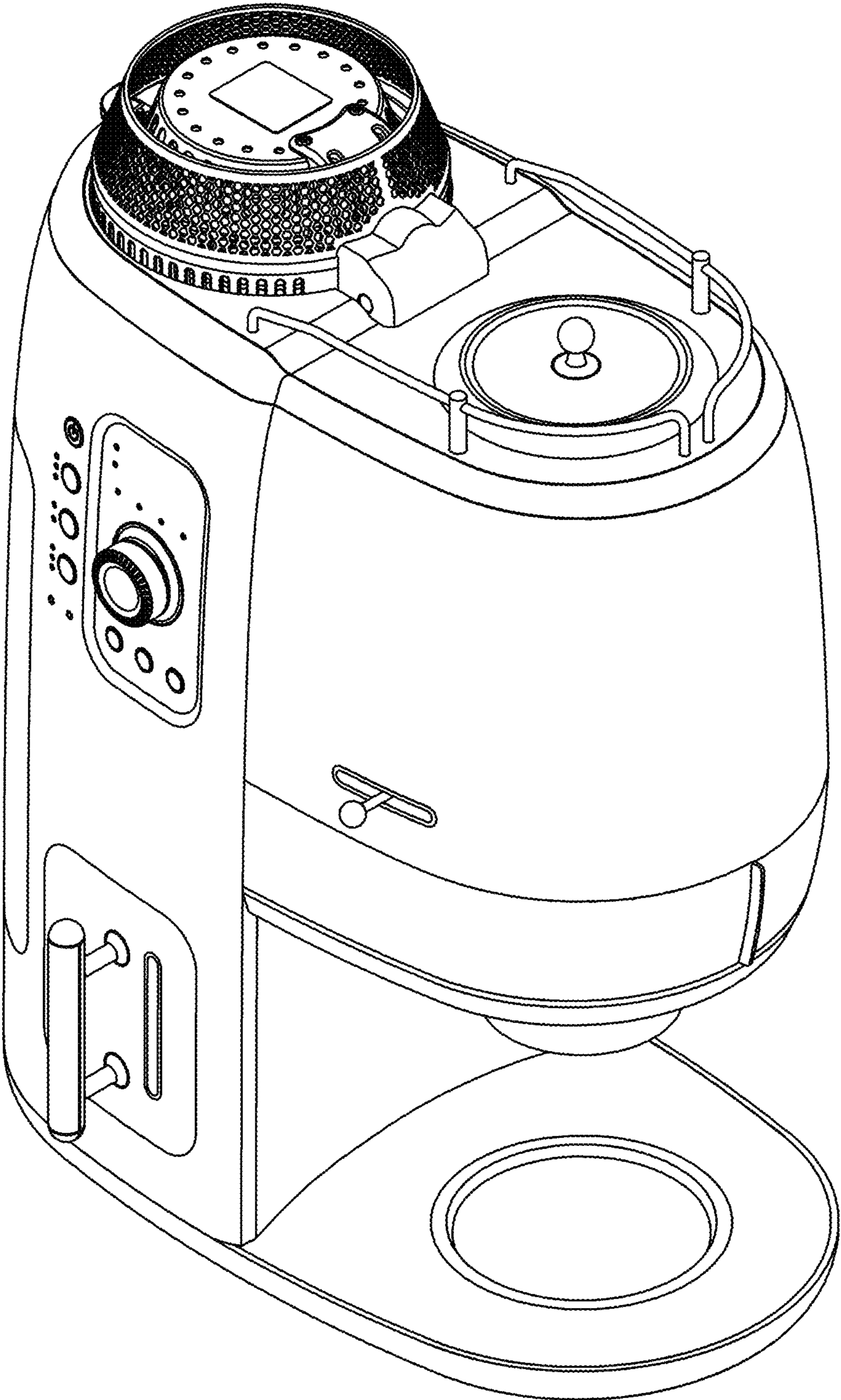


FIG. 1

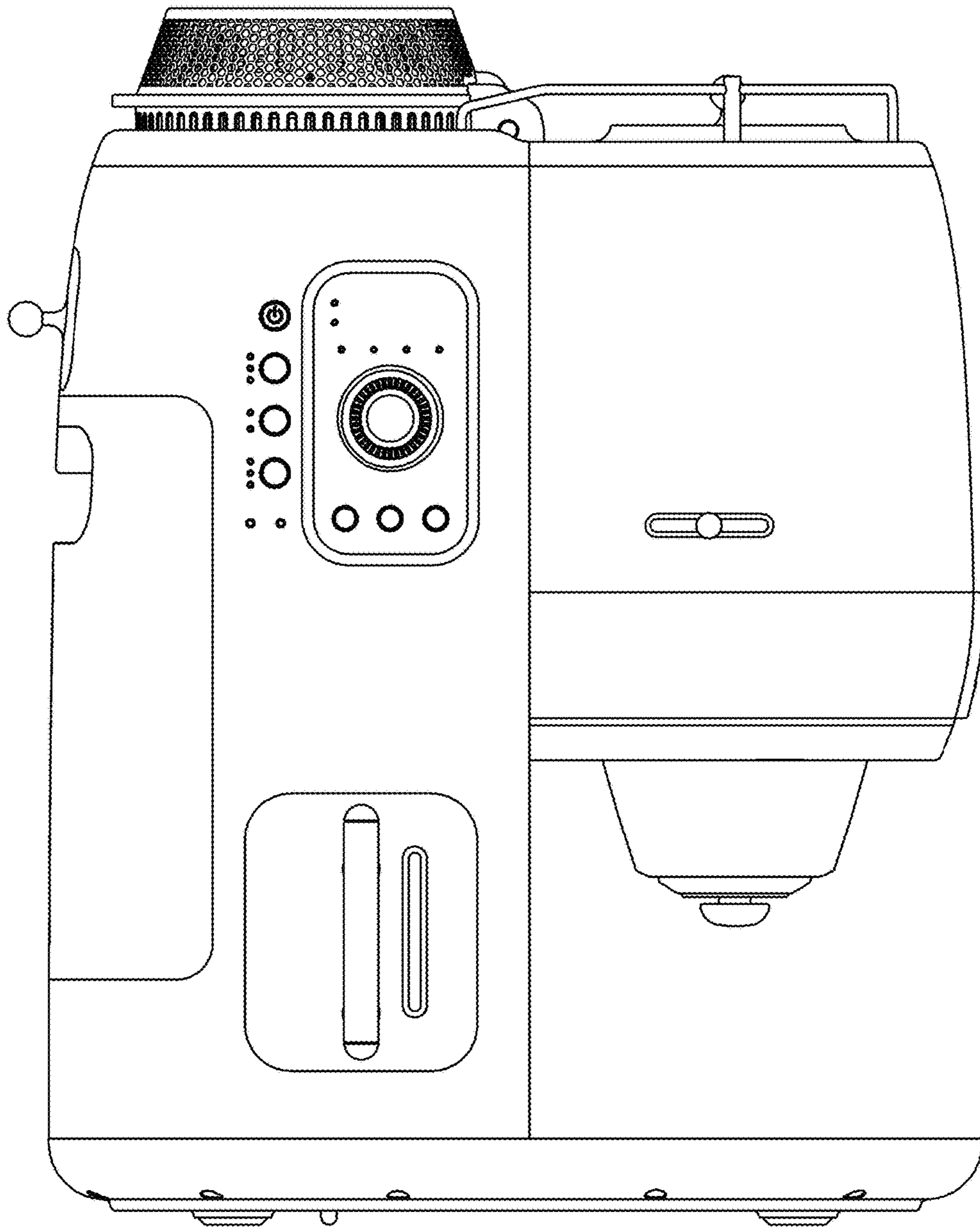


FIG. 2

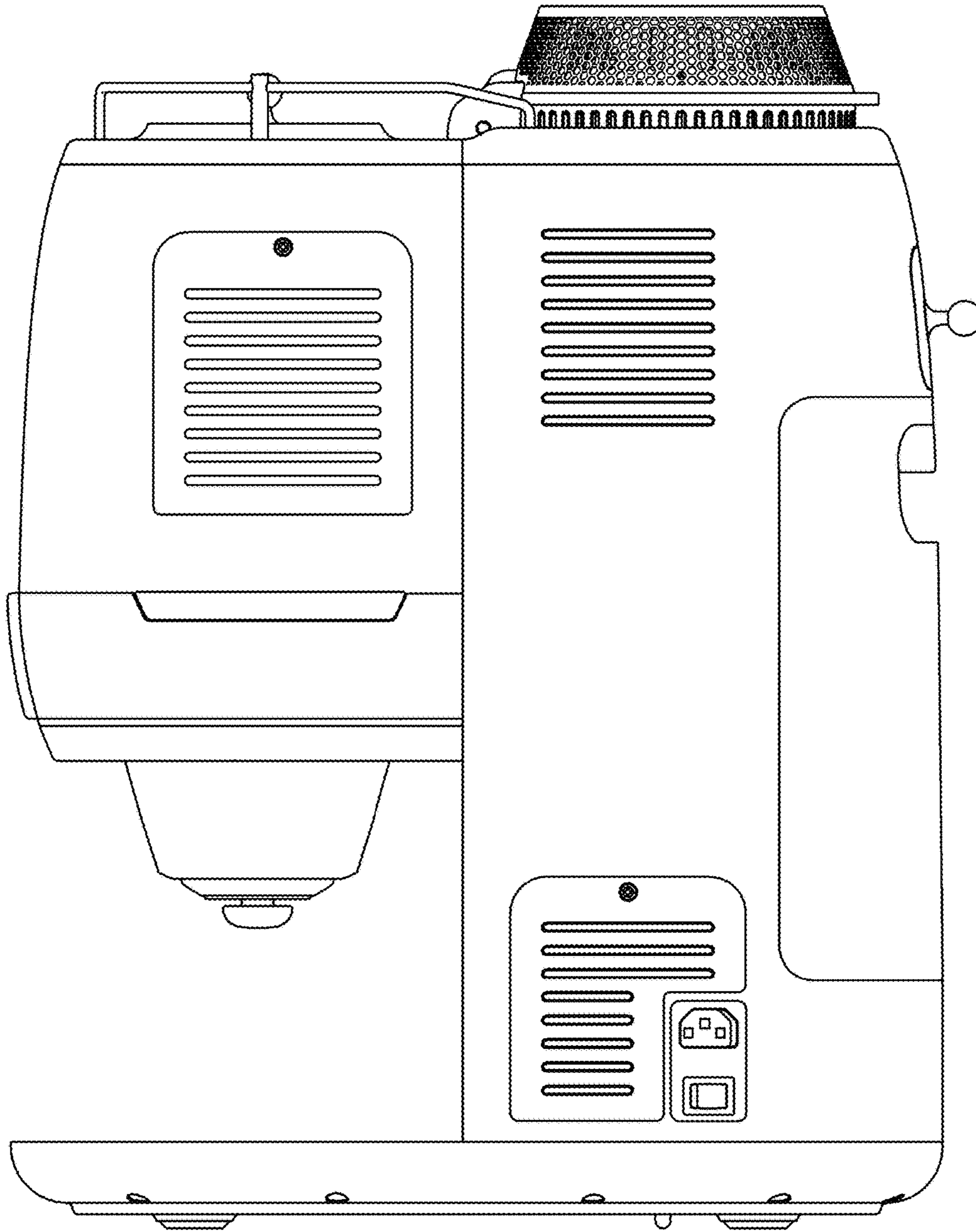


FIG. 3

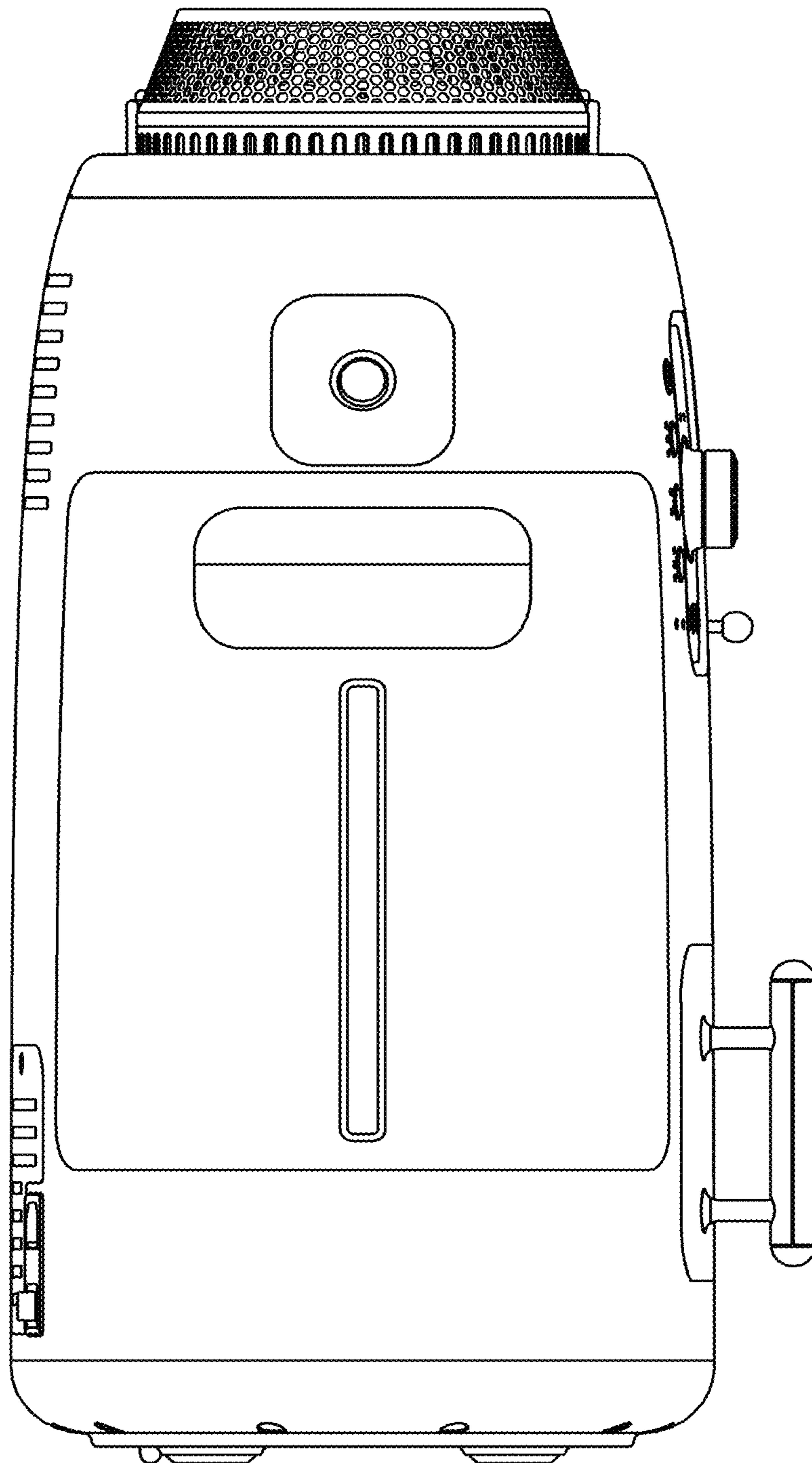


FIG. 4

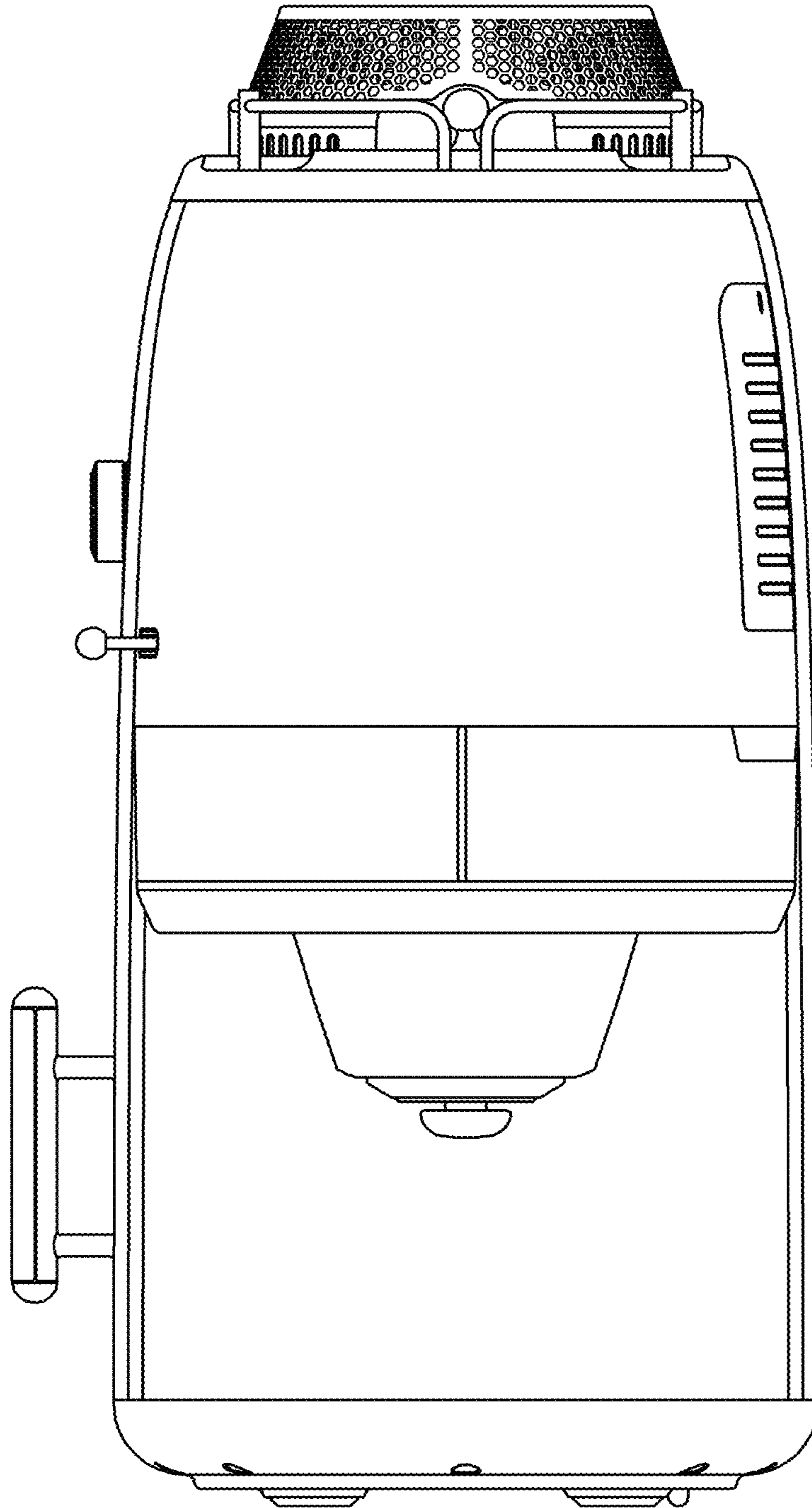


FIG. 5

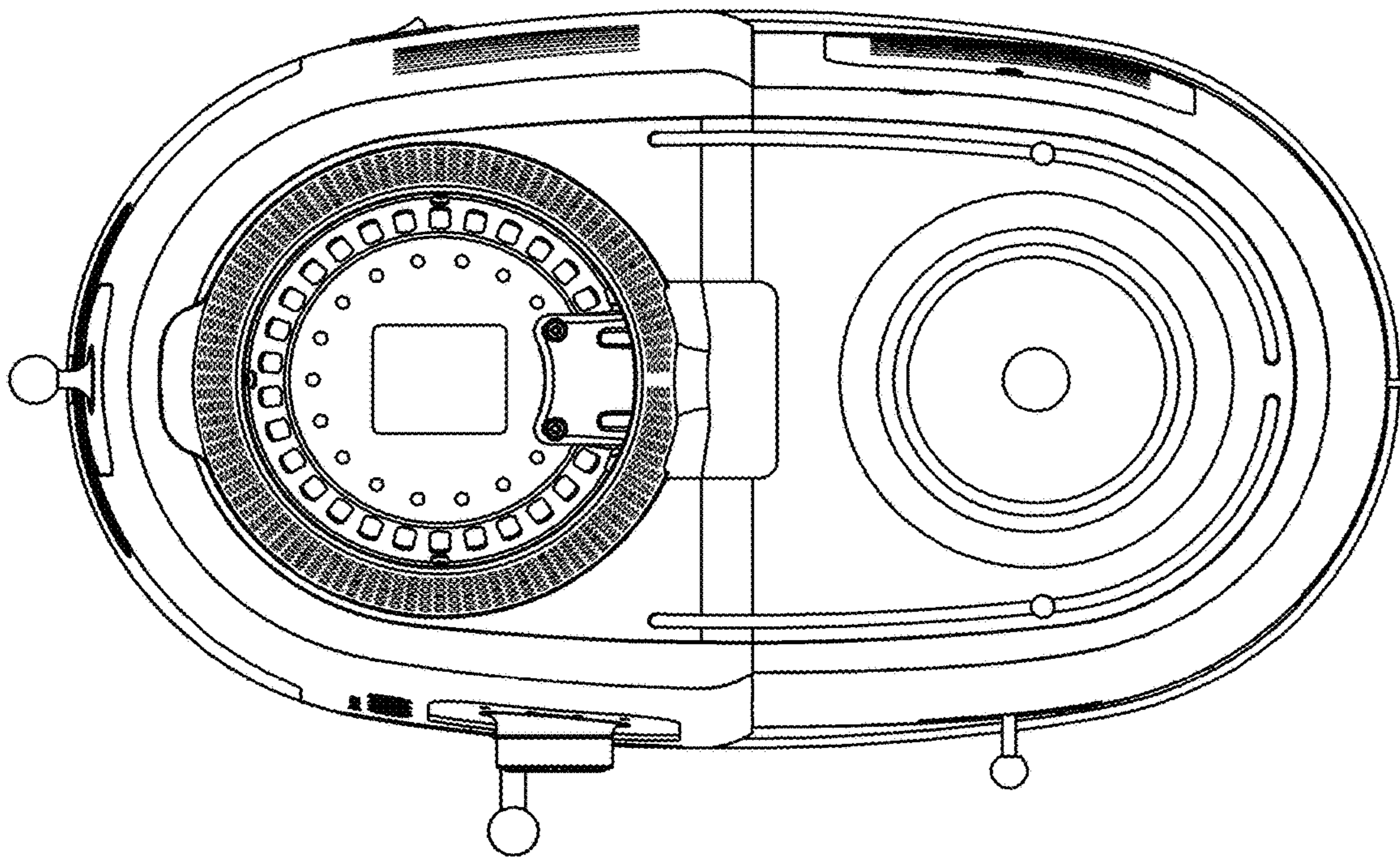


FIG. 6

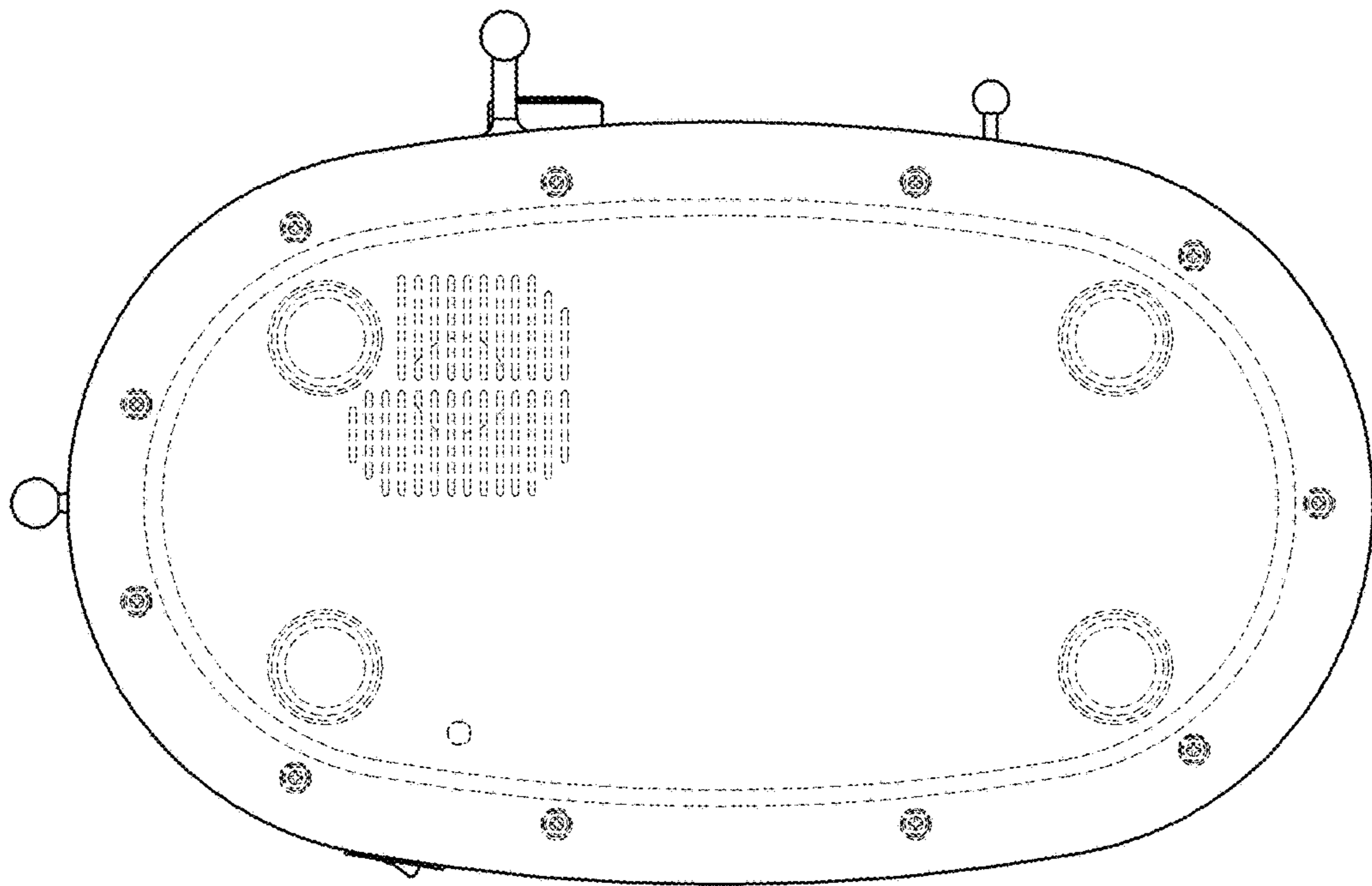


FIG. 7

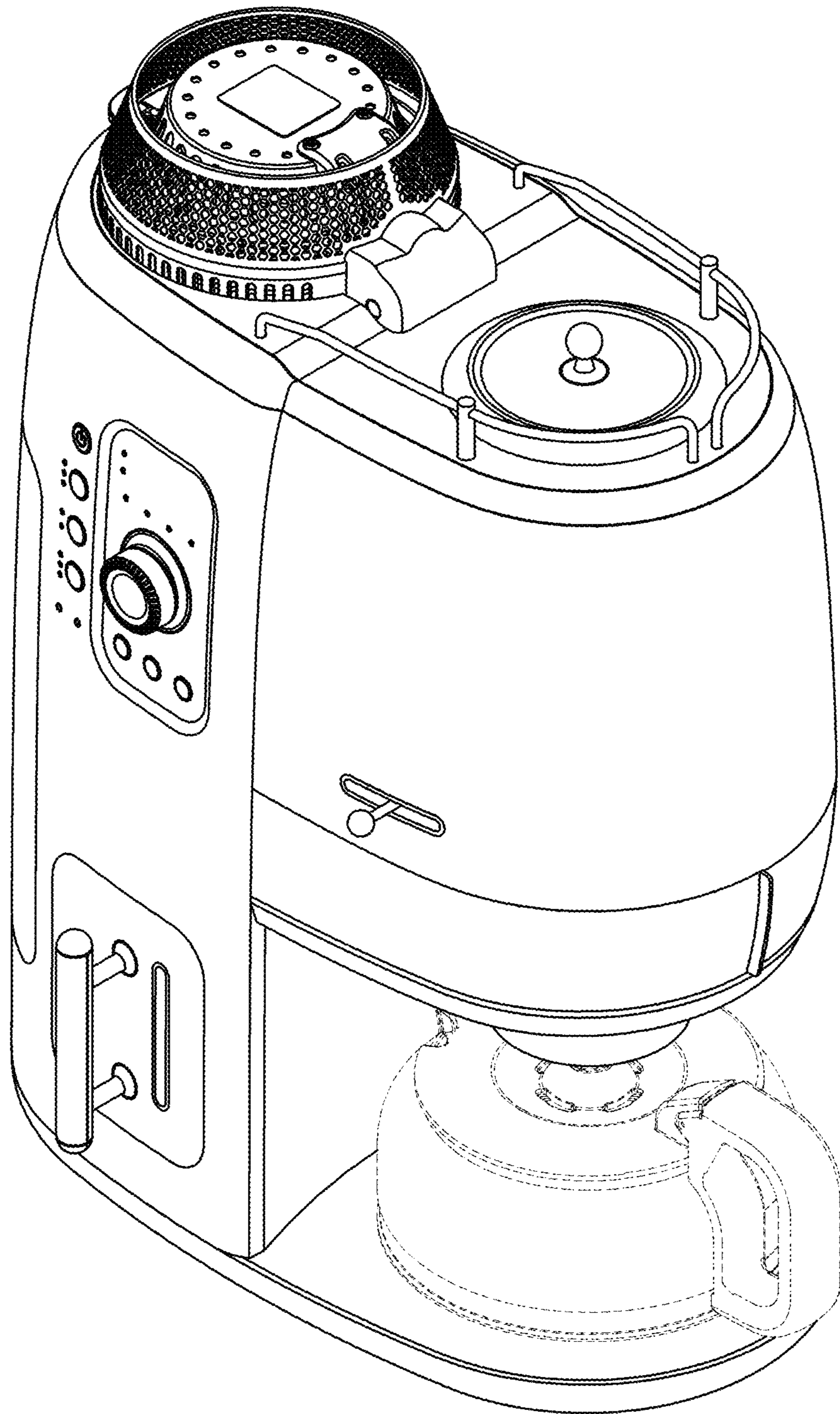


FIG. 8