



US00D830754S

(12) **United States Design Patent** (10) **Patent No.:** **US D830,754 S**
Cahen (45) **Date of Patent:** **** Oct. 16, 2018**

(54) **BEVERAGE DISPENSER**

- (71) Applicant: **Societe des Produits Nestle S.A., Vevey (CH)**
- (72) Inventor: **Antoine Cahen, Lausanne (CH)**
- (73) Assignee: **Societe des Produits Nestle S.A., Vevey (CH)**
- (**) Term: **15 Years**
- (21) Appl. No.: **29/589,904**
- (22) Filed: **Jan. 5, 2017**

Related U.S. Application Data

- (62) Division of application No. 29/537,585, filed on Aug. 27, 2015, now Pat. No. Des. 779,258.

(30) **Foreign Application Priority Data**

Mar. 31, 2015 (CH) 141343

(51) **LOC (11) Cl.** **07-01**

(52) **U.S. Cl.**
USPC **D7/306; D7/311**

(58) **Field of Classification Search**

USPC D7/306-311, 305, 300, 397, 398, 399, D7/400; 99/279, 284, 290, 280, 299, 99/307, 297, 295, 323, 275, 281, 300, 99/302 R, 282, 288; 426/433; D20/4, 5, D20/1

CPC .. A47J 31/44; A47J 31/00; A47J 31/46; A47J 31/10; A47J 31/56; A47J 31/42; A47J 431/4482; A47J 27/2105; A47J 31/4403; A47J 31/32; A47J 31/4457; A47J 31/52; A47J 31/0573; A47J 31/545; A47J 31/4467; B65D 81/3266

See application file for complete search history.

(56) **References Cited**

U.S. PATENT DOCUMENTS

D590,652	S	*	4/2009	Cesaroni	D7/309
D602,303	S	*	10/2009	Cahen	D7/309
D644,058	S	*	8/2011	Cahen	D7/306
D649,392	S	*	11/2011	Cahen	D7/306
D666,051	S	*	8/2012	de Pra	D7/309
D674,233	S	*	1/2013	Lavy	D7/309
D718,565	S	*	12/2014	Spagnolo	D7/309
D721,531	S	*	1/2015	Krasne	D7/309
D724,369	S	*	3/2015	Cahen	D7/309
8,973,485	B2	*	3/2015	Krauchi A47J 31/4403	99/279
D728,986	S	*	5/2015	De'Longhi	D7/309
D728,987	S	*	5/2015	Cahen	D7/309
D730,674	S	*	6/2015	De'Longhi	D7/309
D760,009	S	*	6/2016	Moammer	D7/309
2013/0004629	A1	*	1/2013	Clark A47J 31/4467	426/231

* cited by examiner

Primary Examiner — Marianne Pandozzi

(74) *Attorney, Agent, or Firm* — K&L Gates LLP

(57) **CLAIM**

The ornamental design for a beverage dispenser, as shown and described.

DESCRIPTION

FIG. 1 illustrates a front perspective view of a beverage dispenser according to the present disclosure;

FIG. 2 illustrates a front side elevational view thereof;

FIG. 3 illustrates a back side elevational view thereof;

FIG. 4 illustrates a right side elevational view thereof;

FIG. 5 illustrates a left side elevational view thereof;

FIG. 6 illustrates a top plan view thereof; and,

FIG. 7 illustrates a bottom plan view thereof.

The broken lines in the drawing depict portions of the beverage dispenser that form no part of the claimed design.

1 Claim, 7 Drawing Sheets

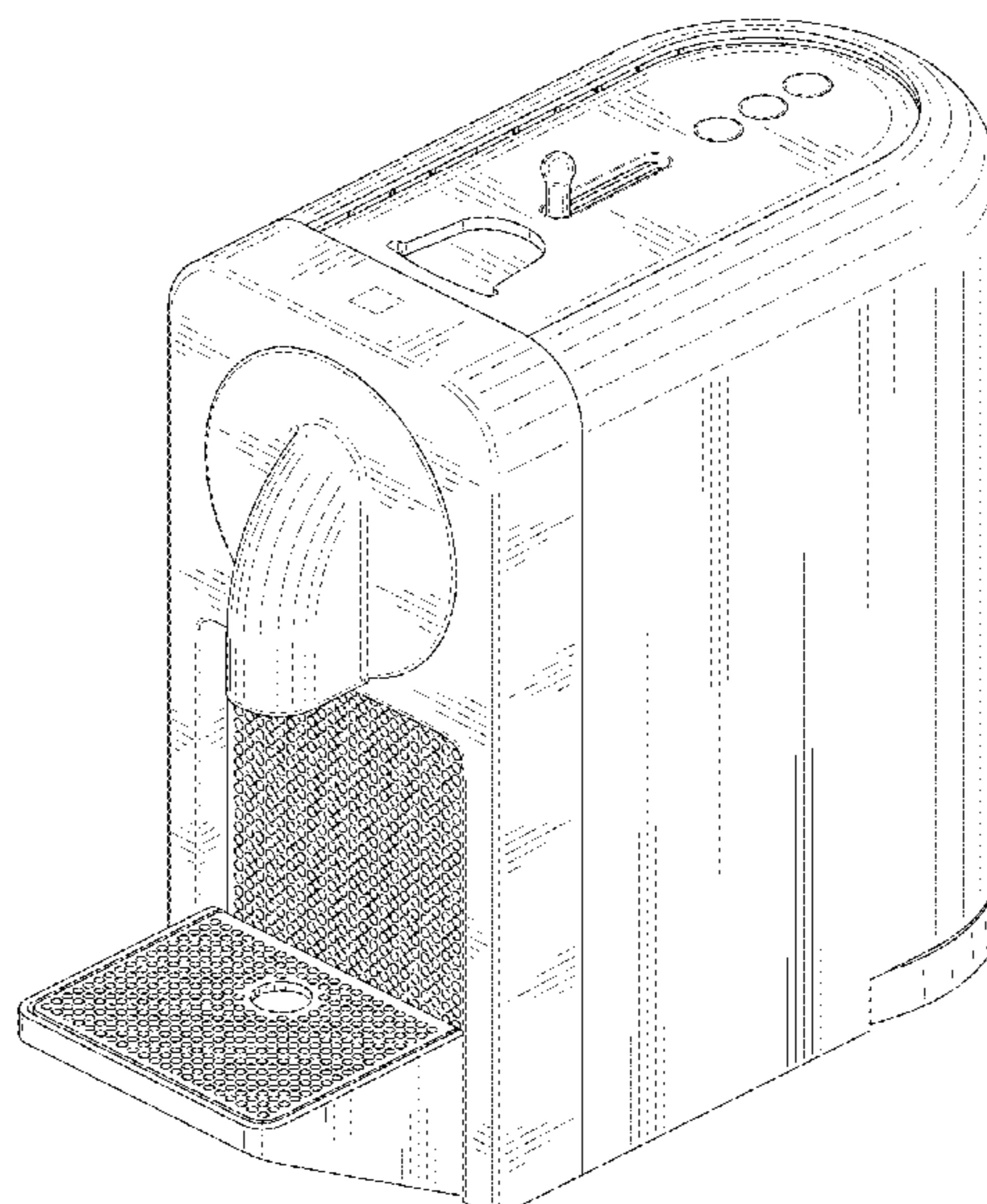


FIG. 1

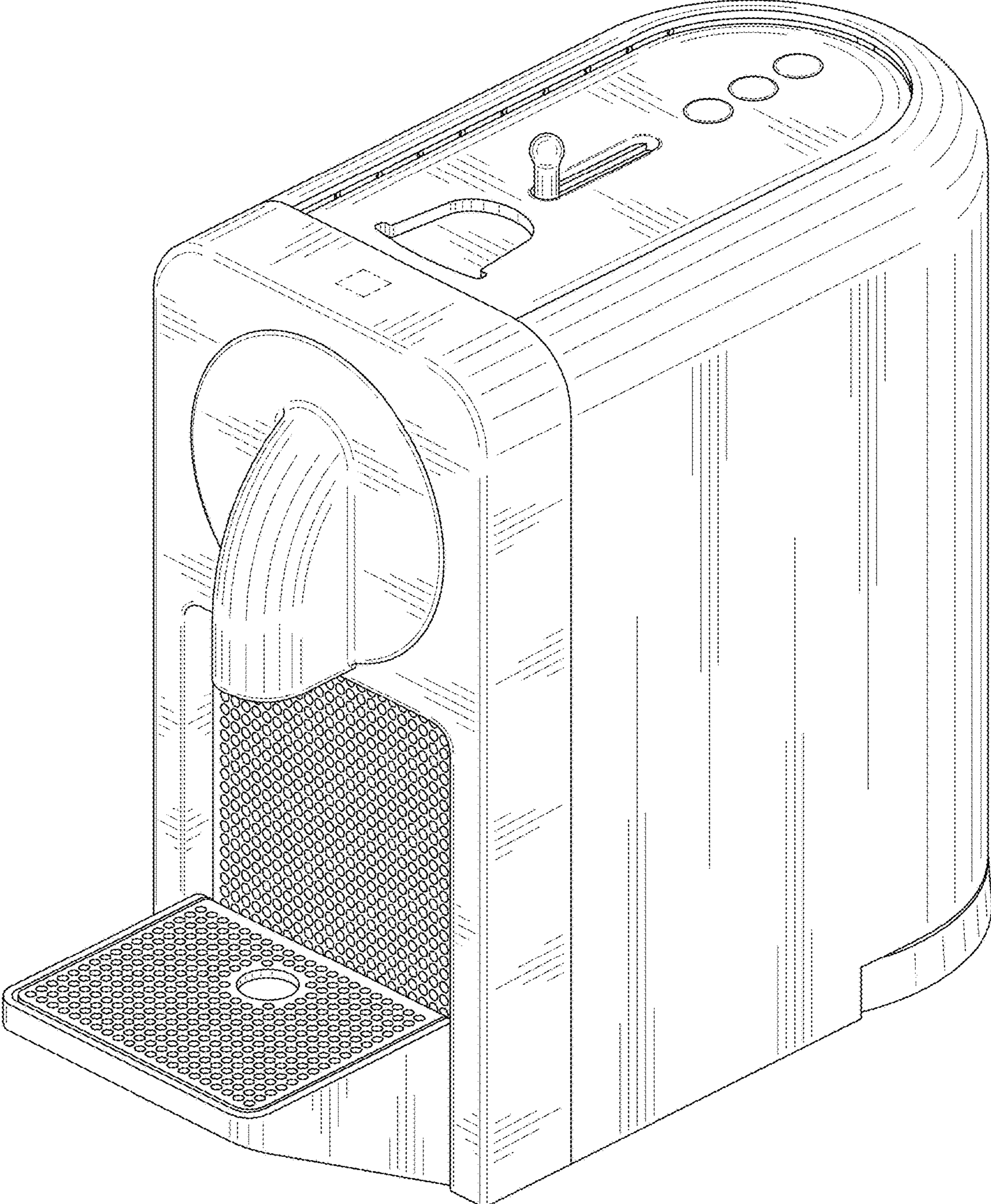


FIG. 2

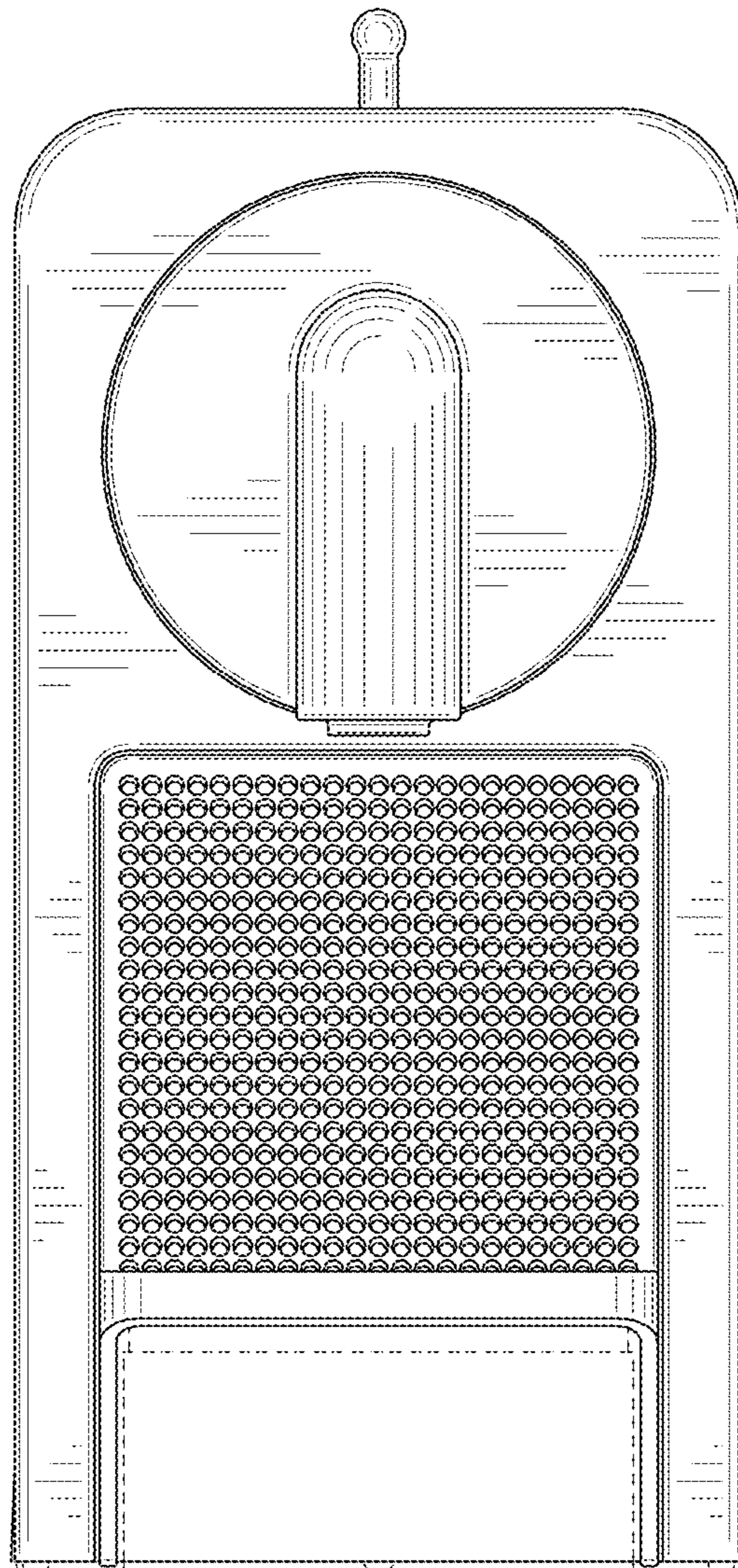


FIG. 3

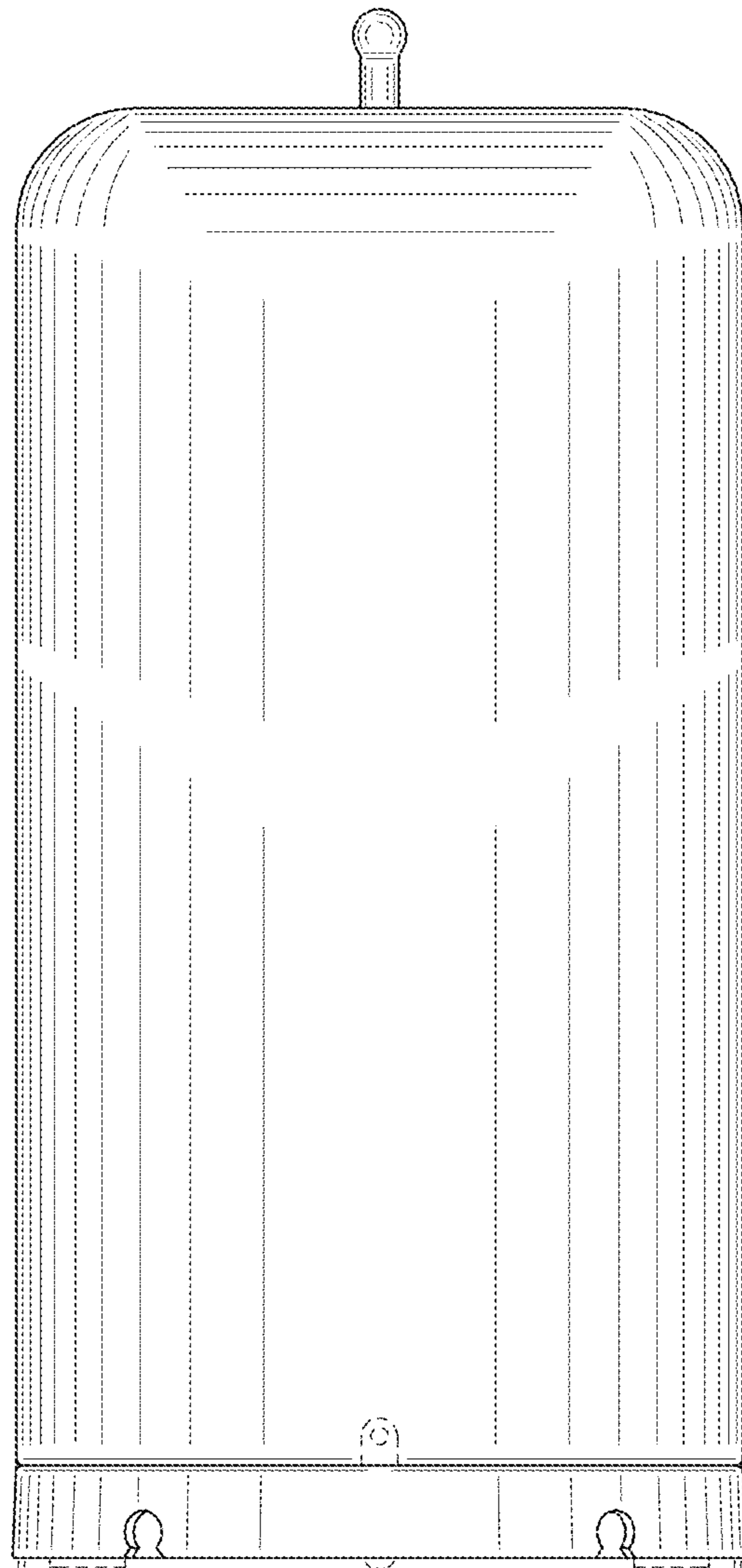


FIG. 4

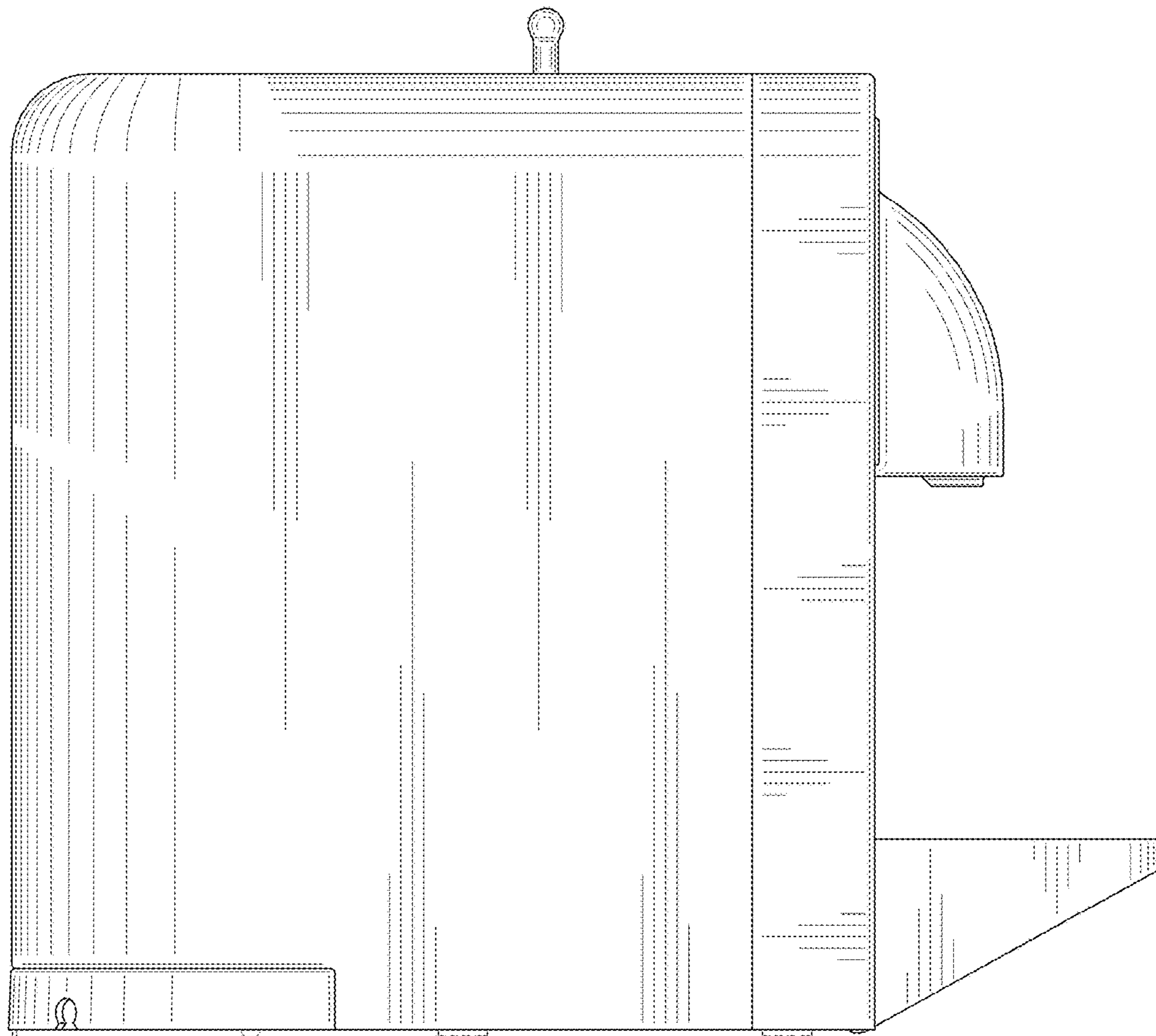


FIG. 5

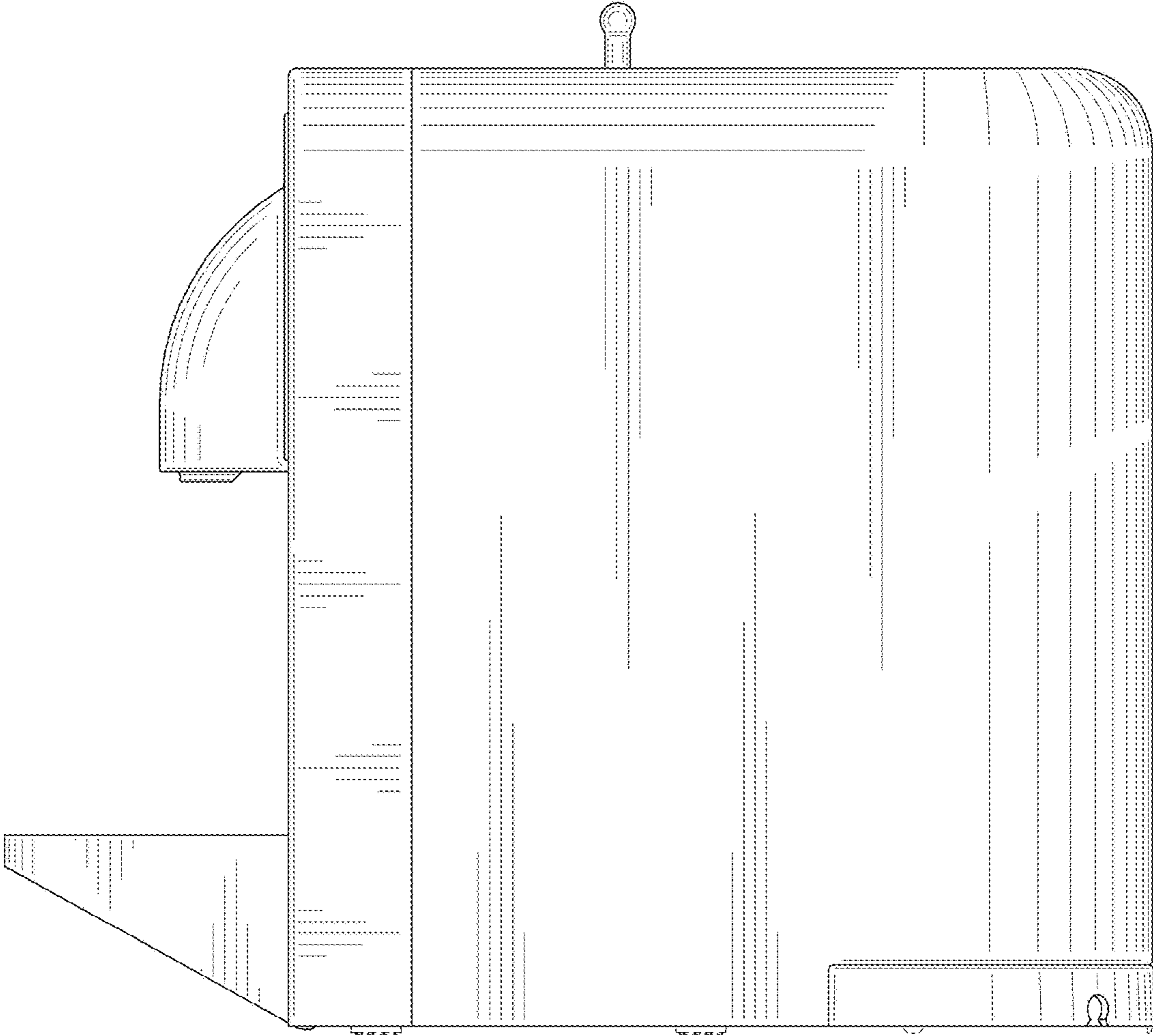


FIG. 6

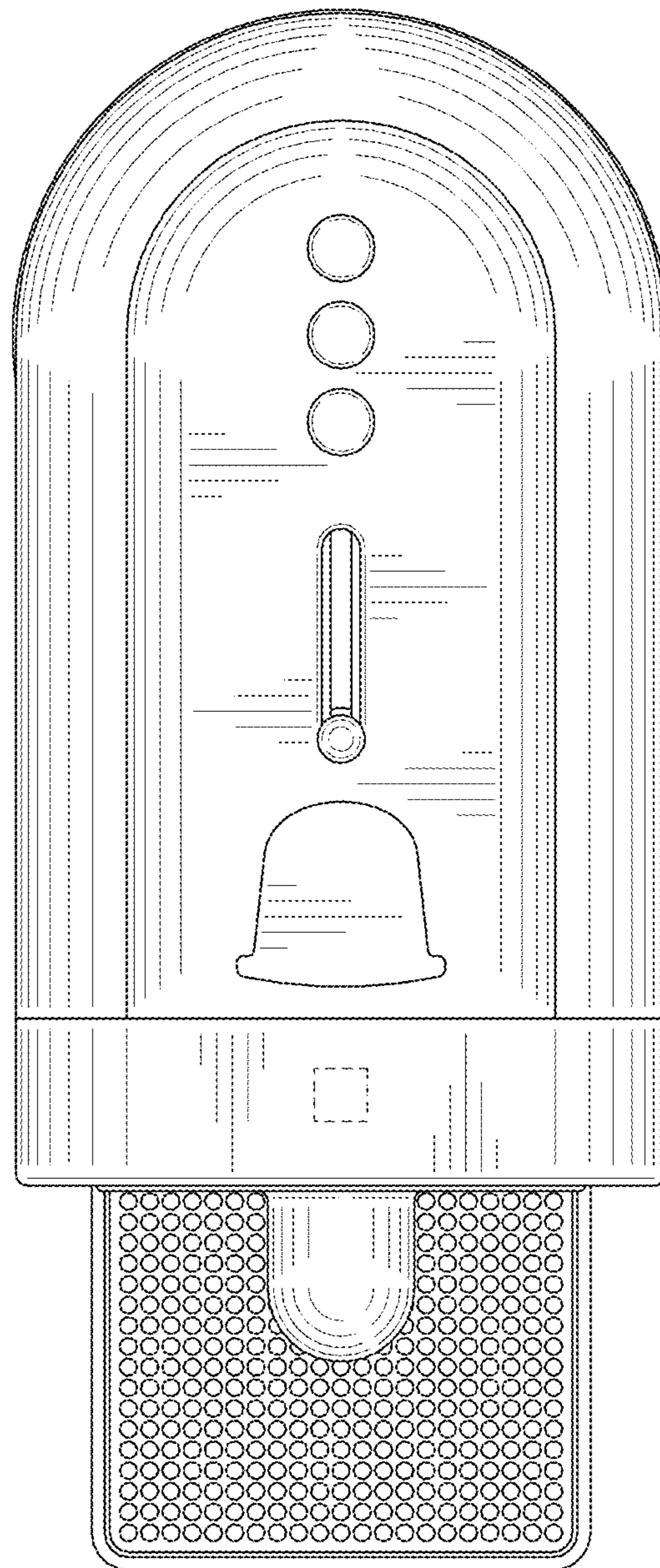


FIG. 7

