



US00D830753S

(12) **United States Design Patent**  
**Waterhouse et al.**

(10) **Patent No.:** **US D830,753 S**  
(45) **Date of Patent:** **\*\* Oct. 16, 2018**

- (54) **CUSHION FOR VEHICLE SEAT**
- (71) Applicant: **Volvo Lastvagnar AB**, Göteborg (SE)
- (72) Inventors: **Miles Waterhouse**, Greensboro, NC (US); **Brian Balicki**, Kernersville, NC (US)
- (73) Assignee: **Volvo Lastvagnar AB**, Göteborg (SE)
- (\*\*) Term: **15 Years**
- (21) Appl. No.: **29/600,052**
- (22) Filed: **Apr. 10, 2017**
- (51) **LOC (11) Cl.** ..... **06-01**
- (52) **U.S. Cl.**  
USPC ..... **D6/716.1; D6/356**
- (58) **Field of Classification Search**  
USPC ..... D6/356, 335-338, 357, 360, 367, 716.4, D6/716.1, 349; D12/400, 345, 190, 195  
CPC . B60N 2/00; B60N 2/01; B60N 2/012; B60N 2/02; B60N 2/0292; B60N 2/24; B60N 2/32; B60N 2/34; B60N 2/38; B60N 2/42  
See application file for complete search history.

(56) **References Cited**

**U.S. PATENT DOCUMENTS**

- D365,216 S \* 12/1995 Smith ..... D6/356
- D387,914 S \* 12/1997 Beermann ..... D6/356
- D534,005 S \* 12/2006 Beermann ..... D6/356

- D696,035 S \* 12/2013 Hatter ..... D6/356
- D704,489 S \* 5/2014 Menne, III ..... D6/716.1
- D723,820 S \* 3/2015 Ashley ..... D6/356
- D750,926 S \* 3/2016 Line ..... D6/716.1
- 9,573,503 B2 \* 2/2017 Nie ..... B60N 2/986
- D792,140 S \* 7/2017 Hemry ..... D6/356
- D805,313 S \* 12/2017 Varga ..... D6/356
- D812,538 S \* 3/2018 Lokers ..... D12/195
- 2009/0085372 A1 \* 4/2009 Hasselberg ..... B62D 21/15  
296/187.03
- 2009/0134686 A1 \* 5/2009 Naito ..... B60N 2/4221  
297/452.55

**OTHER PUBLICATIONS**

Images of Volvo VNL Truck, released 2002, 2 pages.

\* cited by examiner

*Primary Examiner* — Deanna L Pratt  
(74) *Attorney, Agent, or Firm* — Tucker Ellis LLP

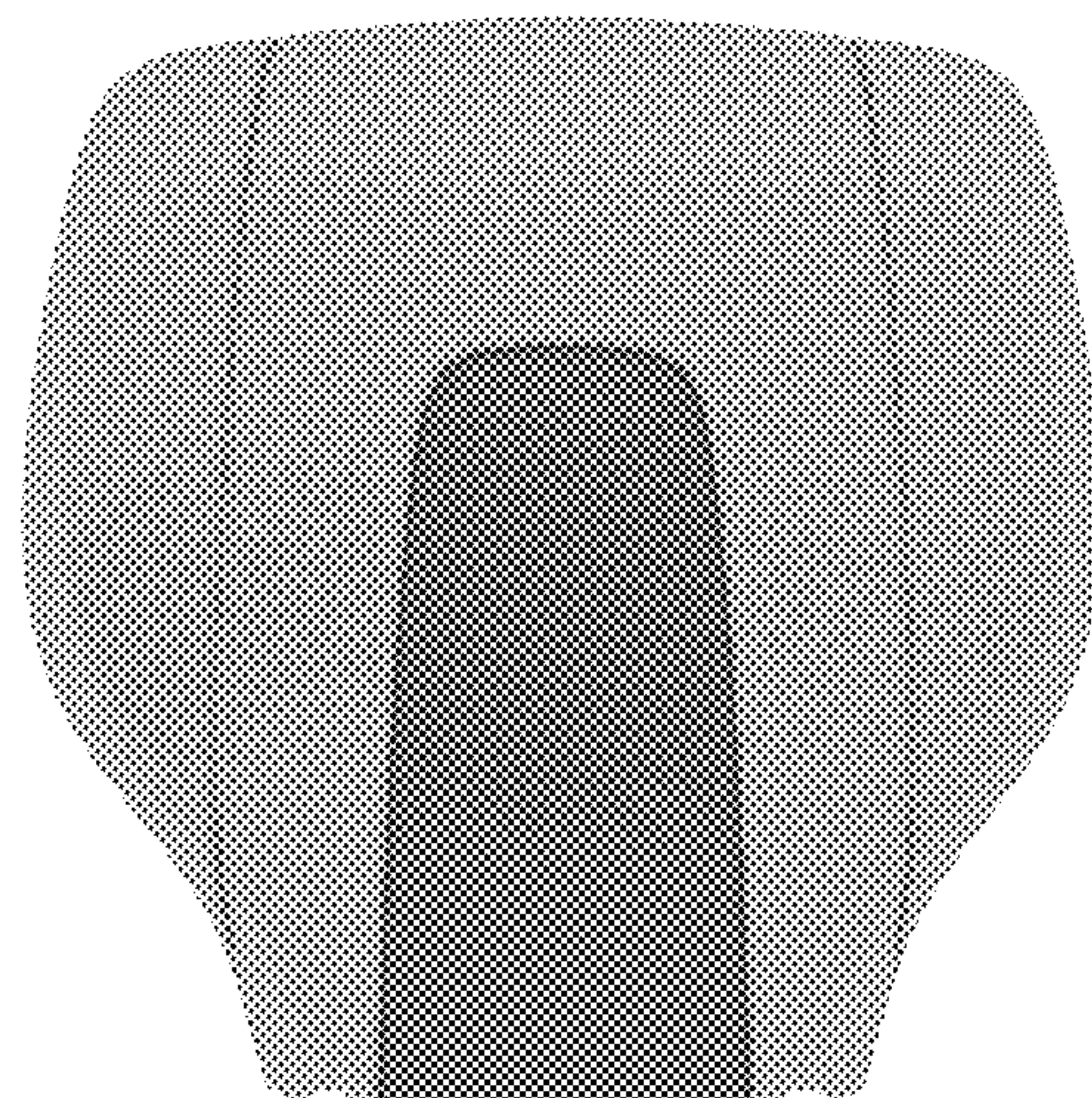
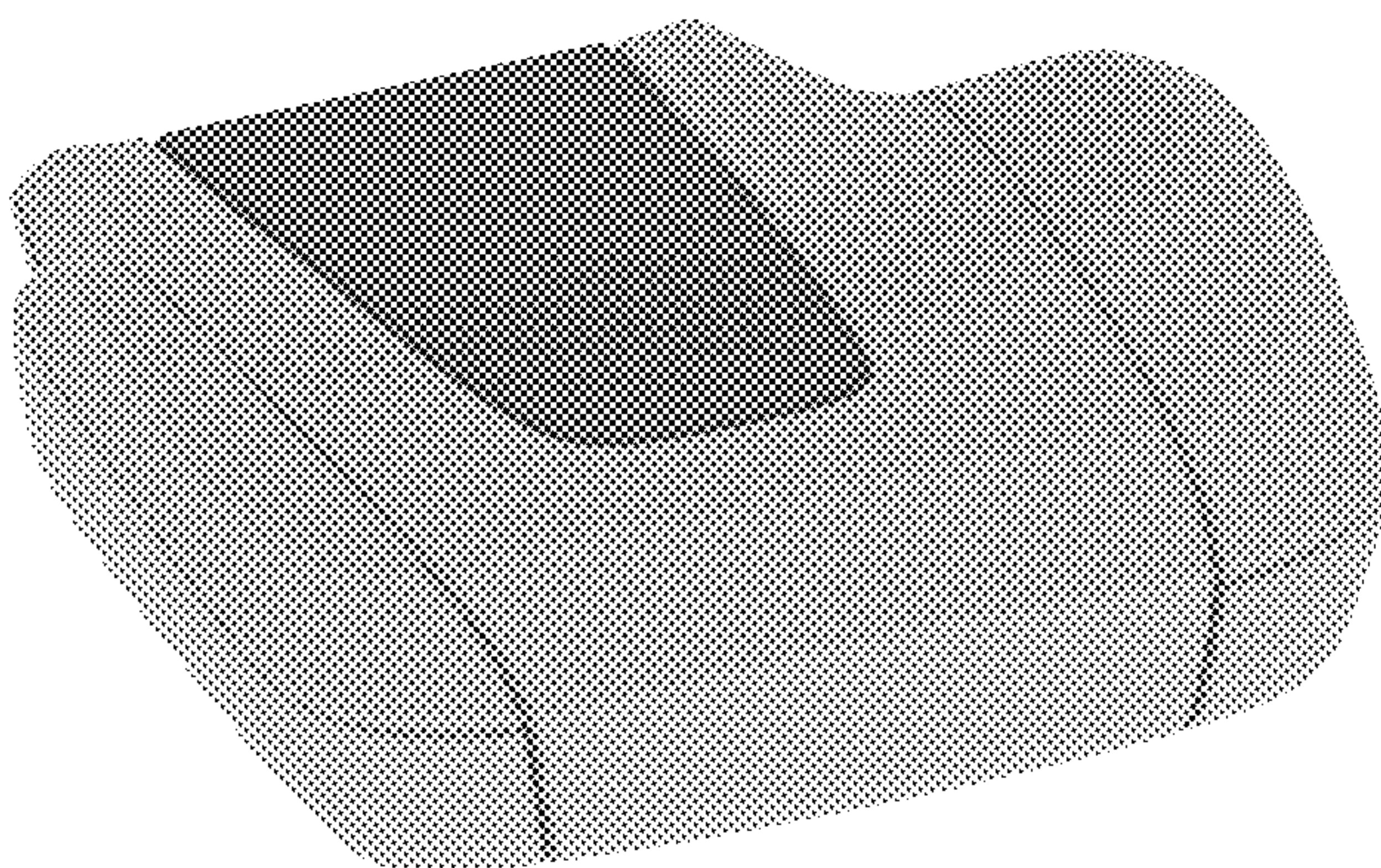
(57) **CLAIM**

The ornamental design for a cushion for vehicle seat, as shown and described.

**DESCRIPTION**

FIG. 1 is a perspective view of a cushion for vehicle seat showing our new design.  
FIG. 2 is a front view thereof.  
FIG. 3 is a right side view thereof.  
FIG. 4 is a left side view thereof; and,  
FIG. 5 is a top view thereof.

**1 Claim, 4 Drawing Sheets**



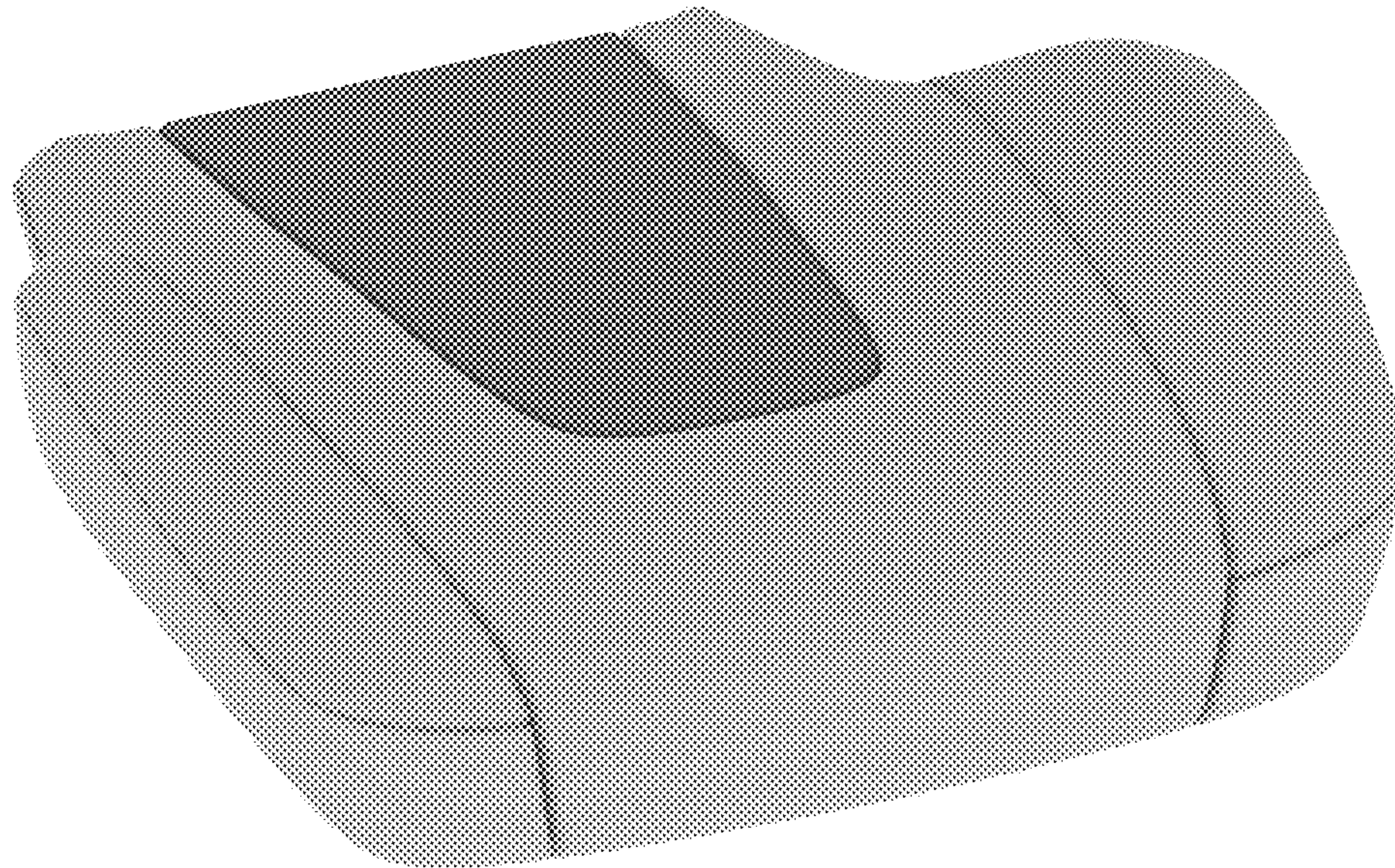


FIG. 1



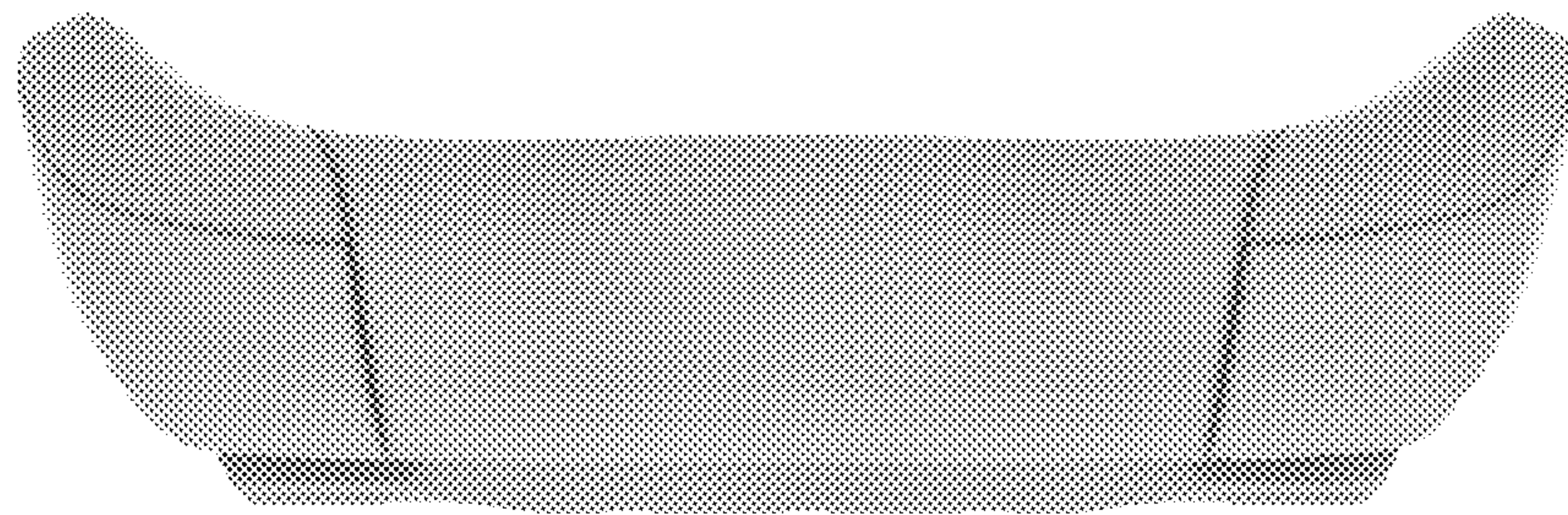


FIG. 2

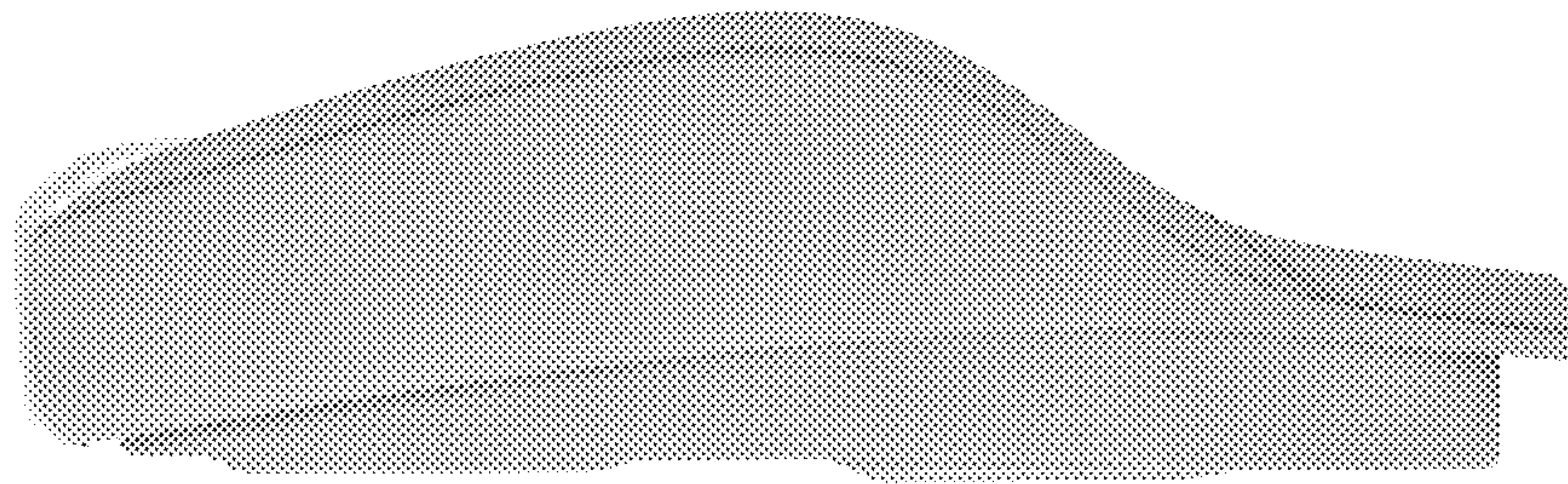


FIG. 3

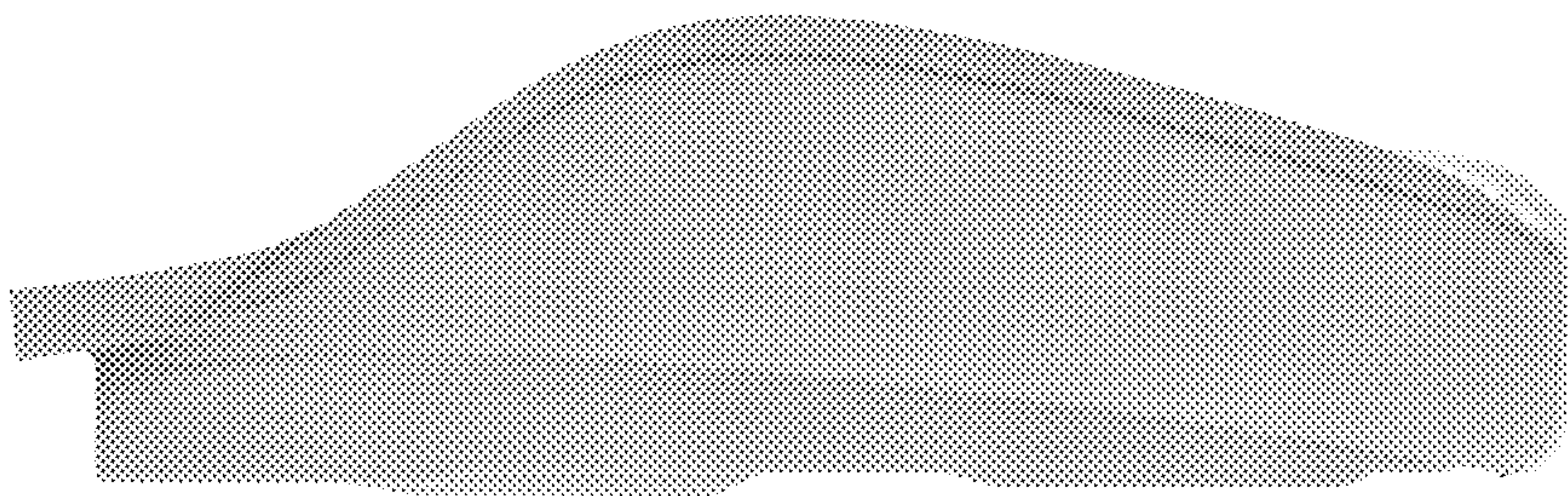


FIG. 4



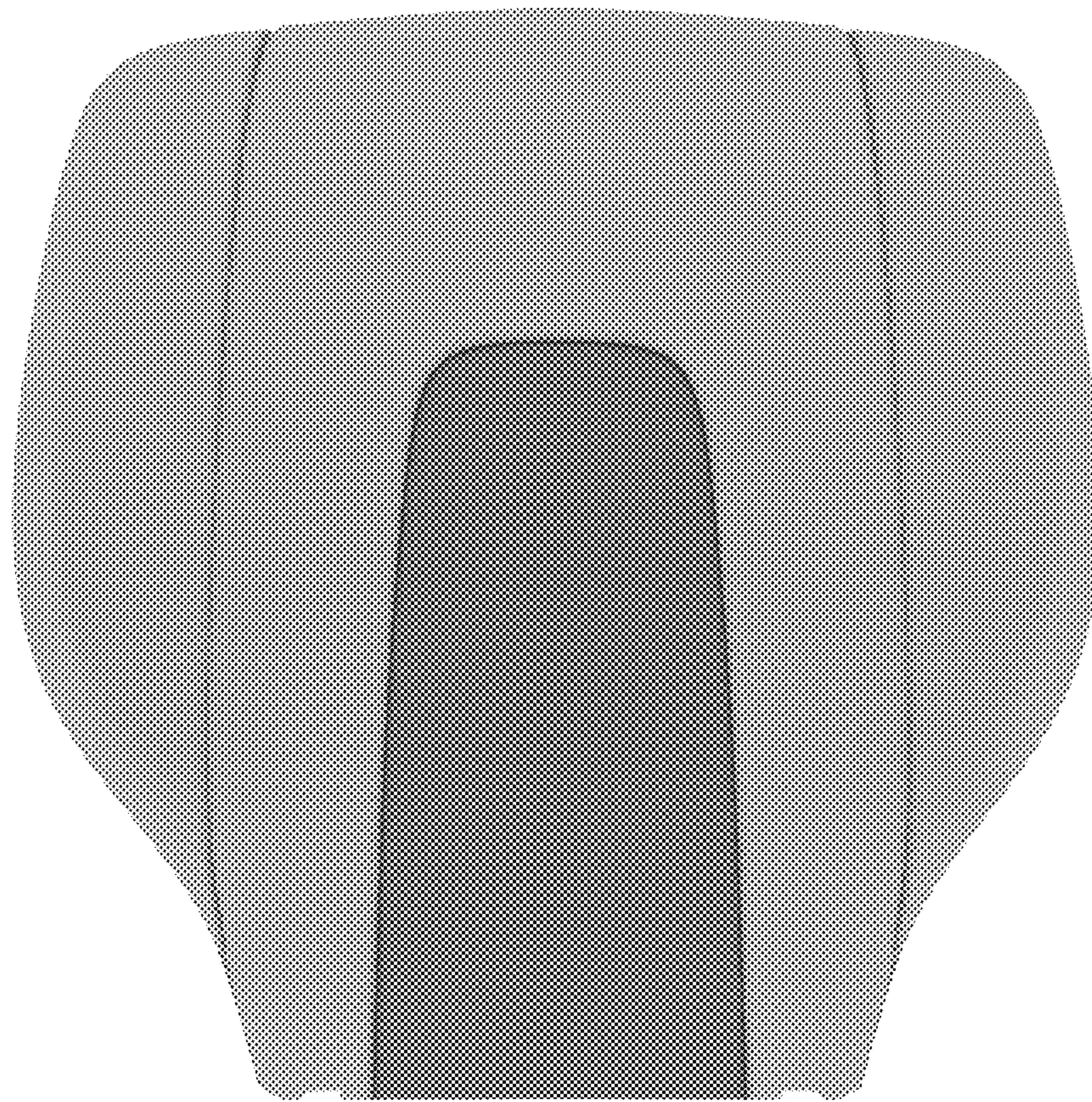


FIG. 5