



US00D830752S

(12) **United States Design Patent**
Hiyoshi et al.

(10) **Patent No.:** **US D830,752 S**
(45) **Date of Patent:** **** Oct. 16, 2018**

- (54) **LOVE SEAT**
- (71) Applicant: **Steelcase Inc.**, Grand Rapids, MI (US)
- (72) Inventors: **Yuka Hiyoshi**, Grand Rapids, MI (US);
Bruce Smith, East Grand Rapids, MI (US); **William Bennie**, Rockford, MI (US); **Irfan Kachwalla**, Mid Levels West (HK); **James Ludwig**, Grand Rapids, MI (US); **Jessica Nebel**, Munich (DE); **Santiago Carral O’Gorman**, Grand Rapids, MI (US); **Madison Scheper**, Grand Rapids, MI (US)

D99,959 S	6/1936	Nathan	
D103,416 S *	3/1937	Tyrrell D6/381
D158,877 S	6/1950	Manbert	
3,498,654 A	3/1970	Diaz et al.	
3,756,657 A	9/1973	Johnson	
D230,918 S	3/1974	Andrus	
D231,880 S	6/1974	Weinstock	
D239,228 S	3/1976	Introini	
D252,484 S	7/1979	Petersilie	
4,179,158 A	12/1979	Flaum et al.	
D284,046 S	6/1986	Staats et al.	
D289,950 S	5/1987	Offredi	
D293,637 S	1/1988	Tallon	
D352,186 S	11/1994	Torck et al.	
D368,174 S	3/1996	Lewis	
D376,274 S	12/1996	Lewis	
D382,129 S	8/1997	Lewis	

(Continued)

(73) Assignee: **Steelcase Inc.**, Grand Rapids, MI (US)

(**) Term: **15 Years**

(21) Appl. No.: **29/634,434**

(22) Filed: **Jan. 22, 2018**

Related U.S. Application Data

(63) Continuation of application No. 29/582,803, filed on Oct. 31, 2016, now Pat. No. Des. 811,109.

(51) **LOC (11) Cl.** **06-01**

(52) **U.S. Cl.**
USPC **D6/716; D6/375**

(58) **Field of Classification Search**
USPC D6/334-336, 361, 364, 369, 371, 372, D6/373, 374, 375, 381, 716, 716.1, 716.4
CPC A47C 3/16; A47C 7/18; A47C 7/50; A47C 7/24; A47C 11/00; A47C 15/00
See application file for complete search history.

(56) **References Cited**

U.S. PATENT DOCUMENTS

61,610 A	1/1867	Cutter
936,451 A	10/1909	Havenhill

Primary Examiner — Mimoso De

(74) *Attorney, Agent, or Firm* — Brinks Gilson & Lione

(57) **CLAIM**

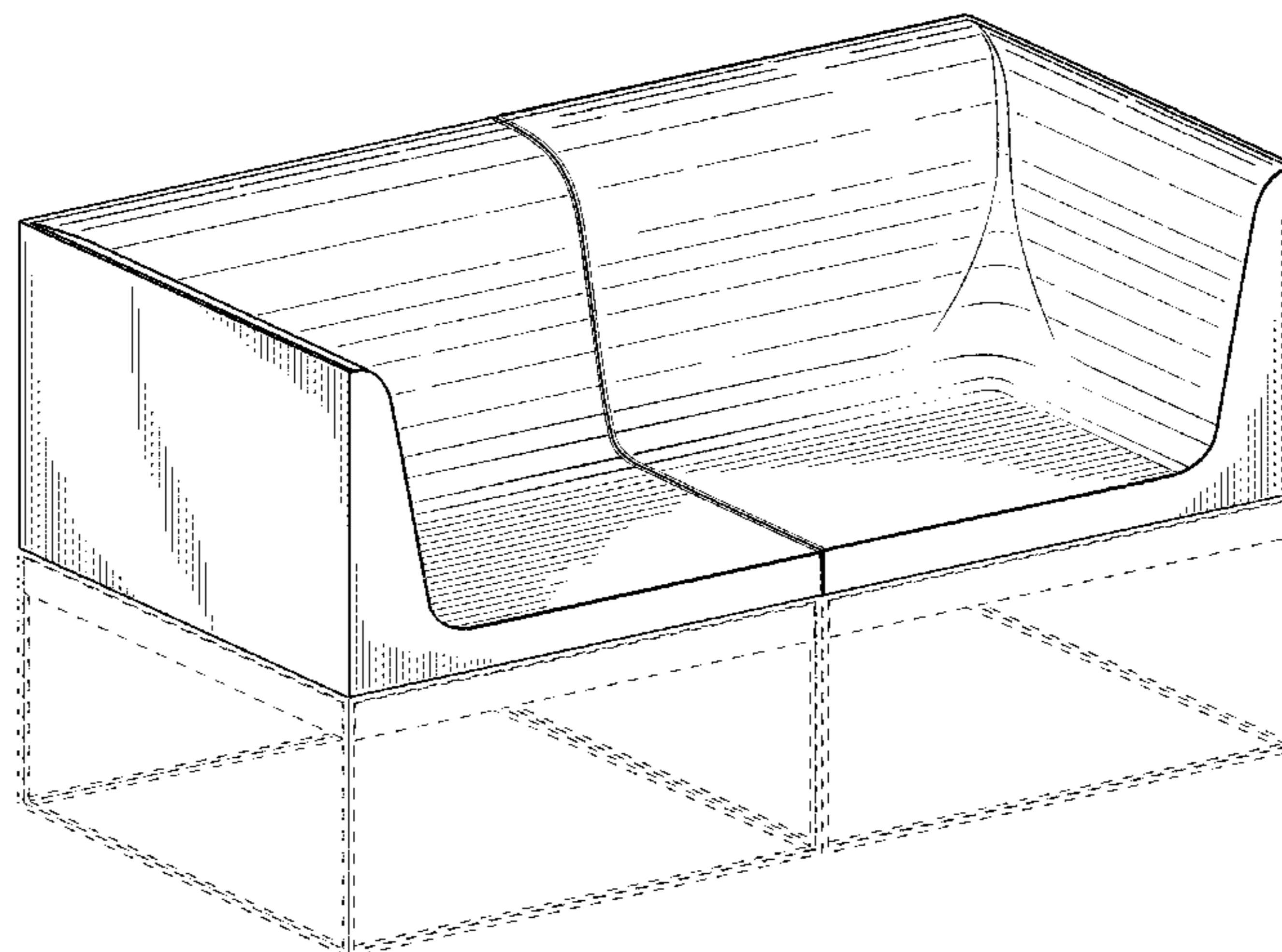
We claim the ornamental design for a love seat, as shown and described.

DESCRIPTION

FIG. 1 is a top front perspective view of a love seat; FIG. 2 is a bottom rear perspective view thereof; FIG. 3 is a front elevation view thereof; FIG. 4 is a rear elevation view thereof; FIG. 5 is a top plan view thereof; is a left side elevation view thereof; FIG. 6 is a bottom plan view thereof; is a right side elevation view thereof; is a bottom plan view thereof; and, FIG. 7 is a left side elevation view thereof, where the right side elevation view is a mirror image thereof.

The broken line structures in the drawings form no part of the claimed design. Interior surfaces and other portions of the love seat not shown in the illustrated drawings form no part of the claimed design.

1 Claim, 5 Drawing Sheets



(56)

References Cited

U.S. PATENT DOCUMENTS

D387,573 S 12/1997 Lewis
 D431,381 S 10/2000 Gomez
 D439,071 S 3/2001 D'Urso et al.
 D448,946 S 10/2001 Goetz
 D484,712 S 1/2004 Gomez
 D484,713 S 1/2004 Gomez
 D515,837 S 2/2006 Nicoletti
 D519,743 S 5/2006 Suzuki et al.
 D567,527 S 4/2008 Galardo
 D576,820 S 9/2008 Priestman
 D577,924 S 10/2008 van Ierssel et al.
 D577,926 S 10/2008 Marin et al.
 D588,825 S 3/2009 van Ierssel et al.
 D589,714 S 4/2009 Cazares et al.
 D602,705 S 10/2009 Holbrook

D640,479 S 6/2011 Sempe
 D643,643 S 8/2011 Lievore
 D648,948 S 11/2011 Sempe
 D655,100 S * 3/2012 Yeung Ka Fei D6/371
 D660,033 S * 5/2012 Nguyen D6/369
 D681,361 S 5/2013 Silver et al.
 D682,575 S 5/2013 Versace
 D695,035 S 12/2013 Ciani et al.
 D698,172 S 1/2014 Ciani et al.
 D712,173 S 9/2014 Ciani et al.
 D712,674 S 9/2014 Ciani et al.
 D743,726 S 11/2015 Yeh
 D751,311 S 3/2016 Schroeder
 D770,795 S 11/2016 Sempe
 D806,424 S * 1/2018 Bougay D6/369
 D811,108 S * 2/2018 Hiyoshi D6/375
 D811,109 S * 2/2018 Hiyoshi D6/375

* cited by examiner

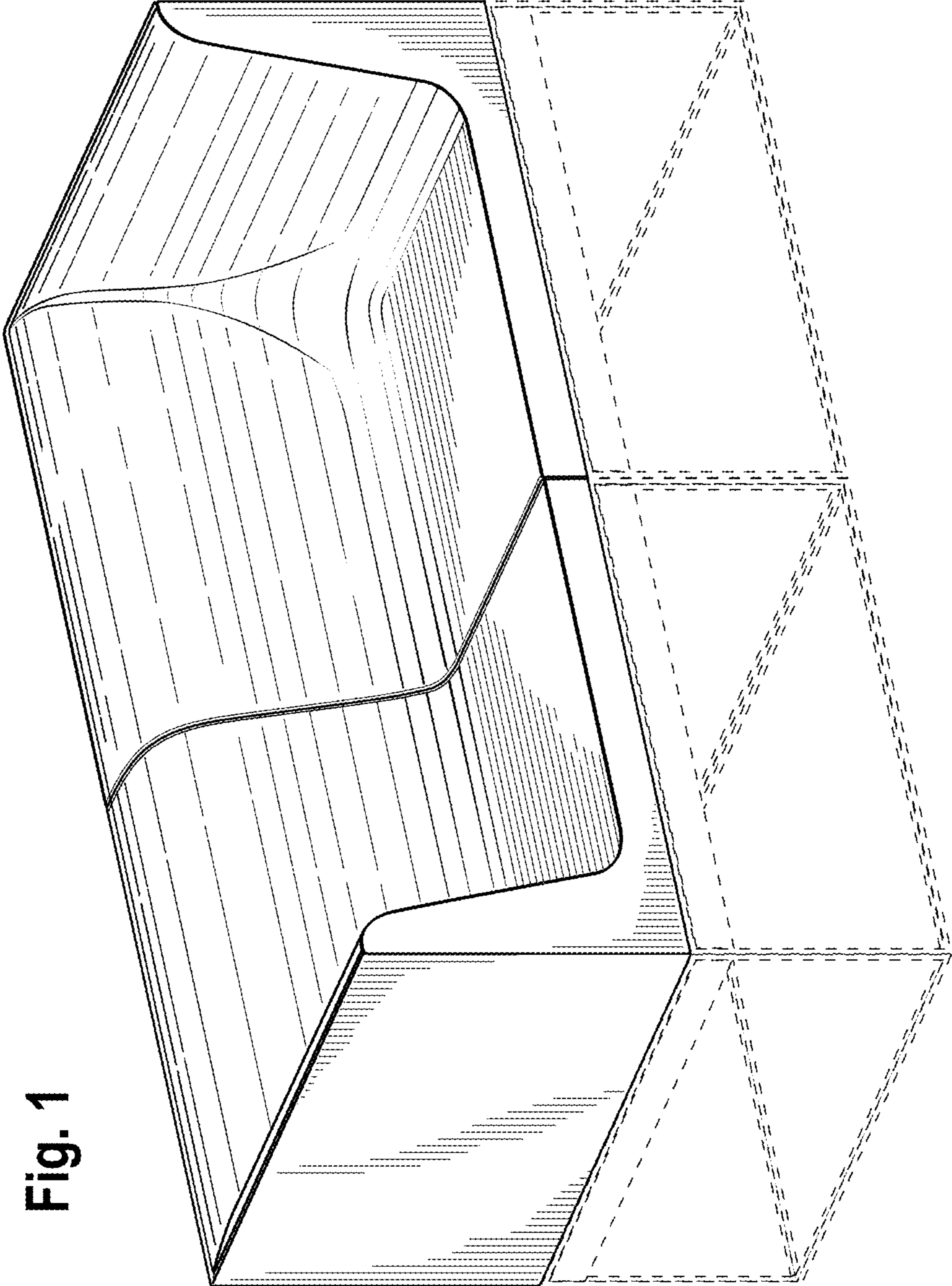


Fig. 1

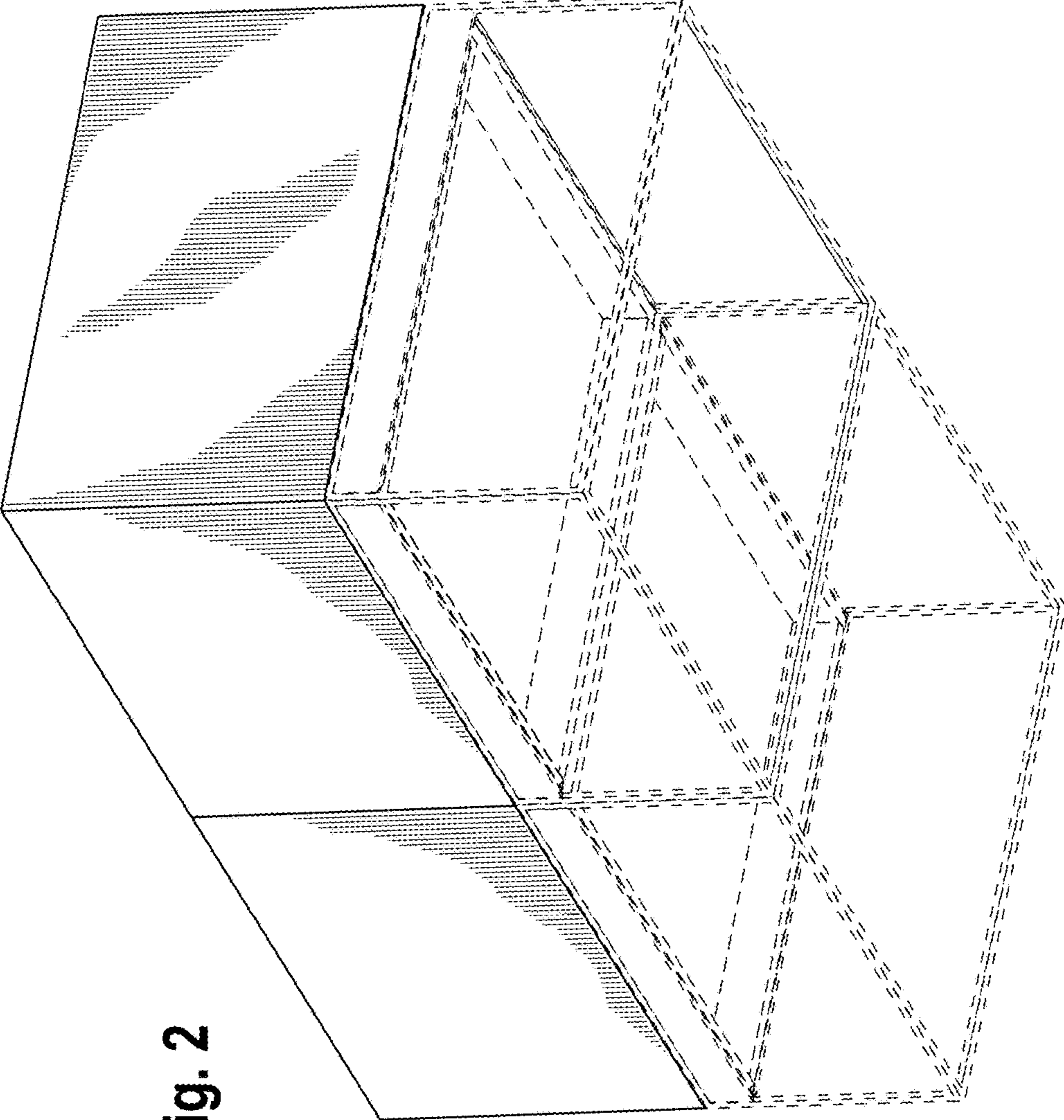


Fig. 2

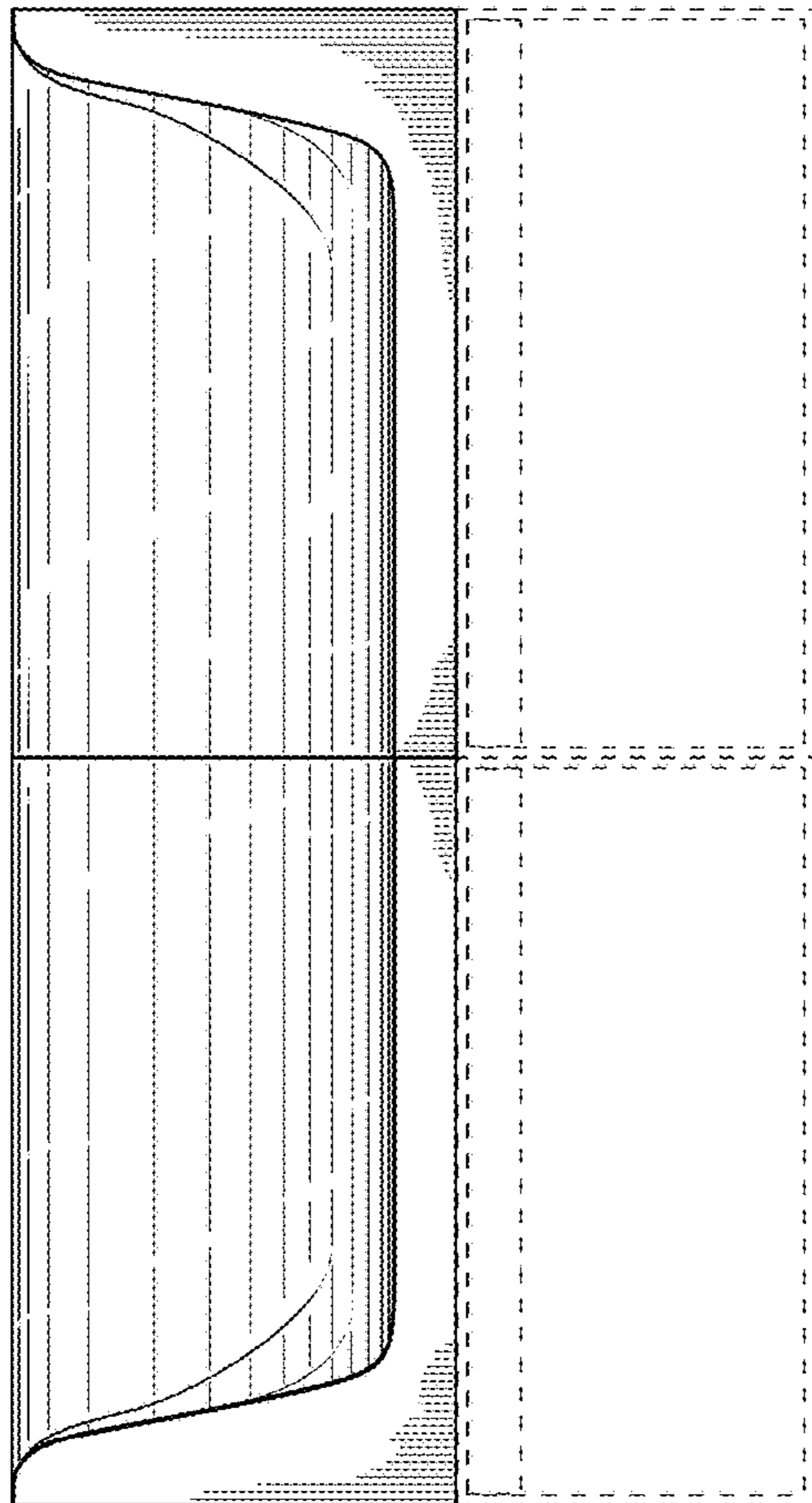


Fig. 3

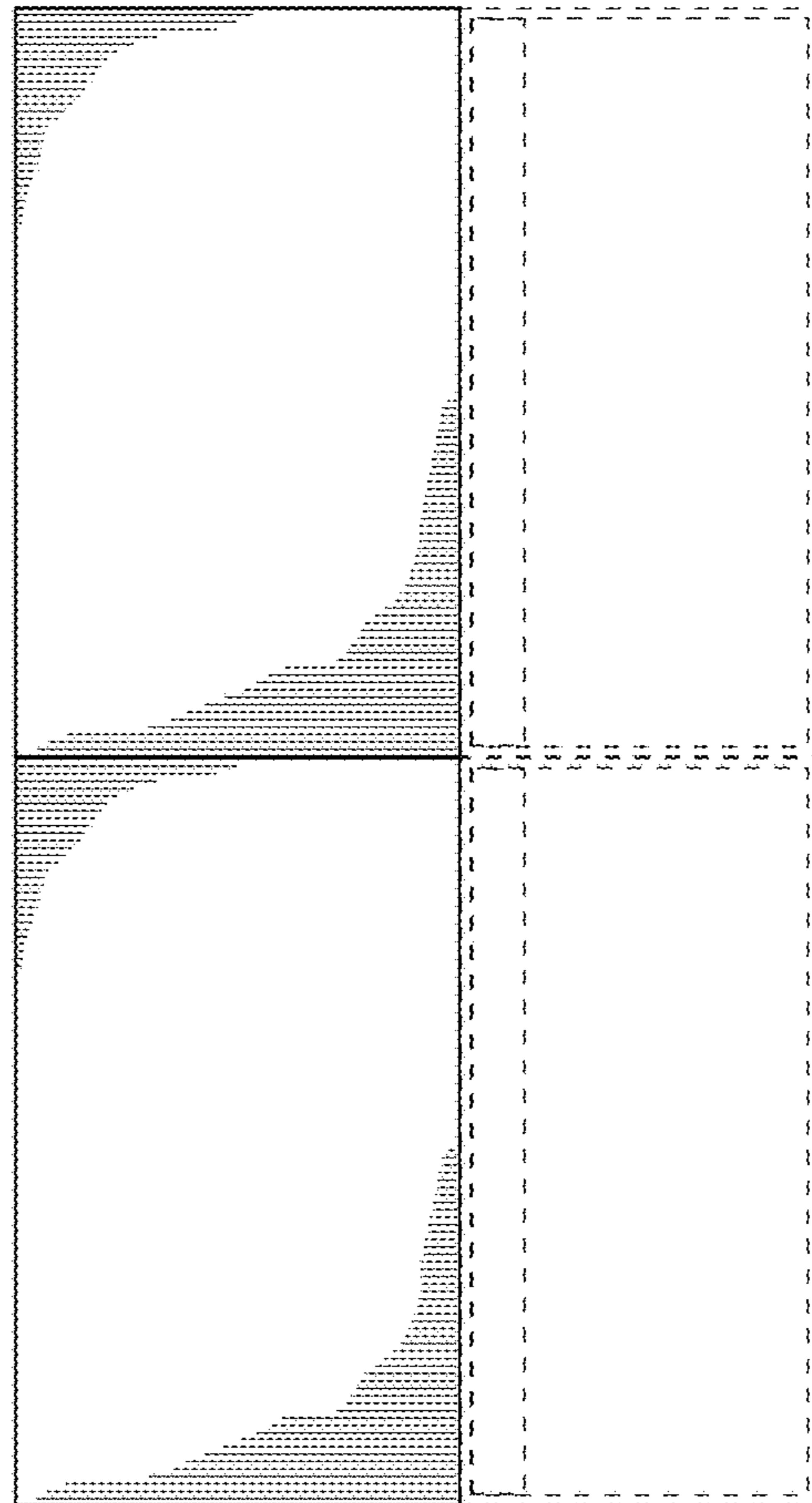


Fig. 4

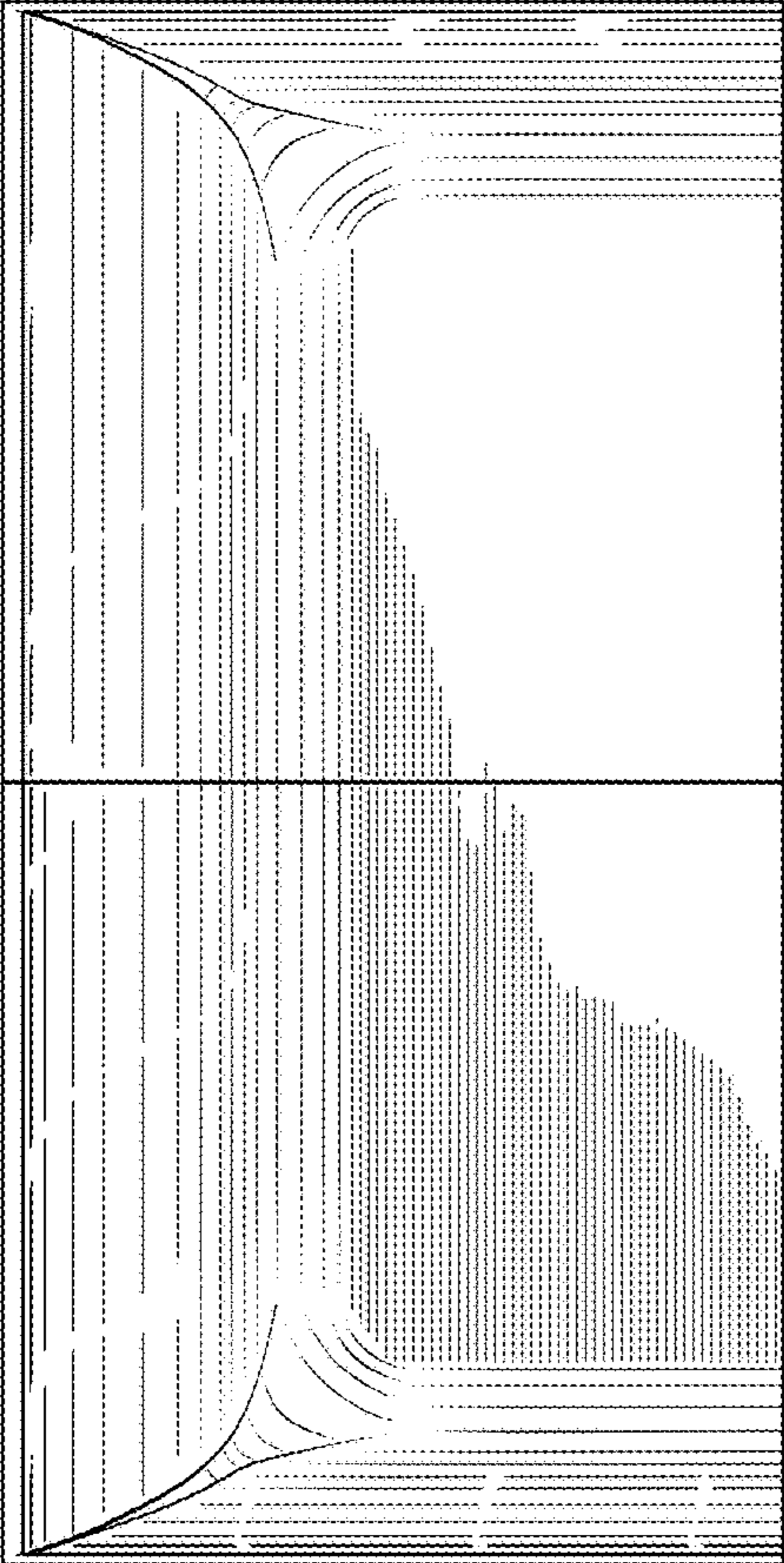


Fig. 5

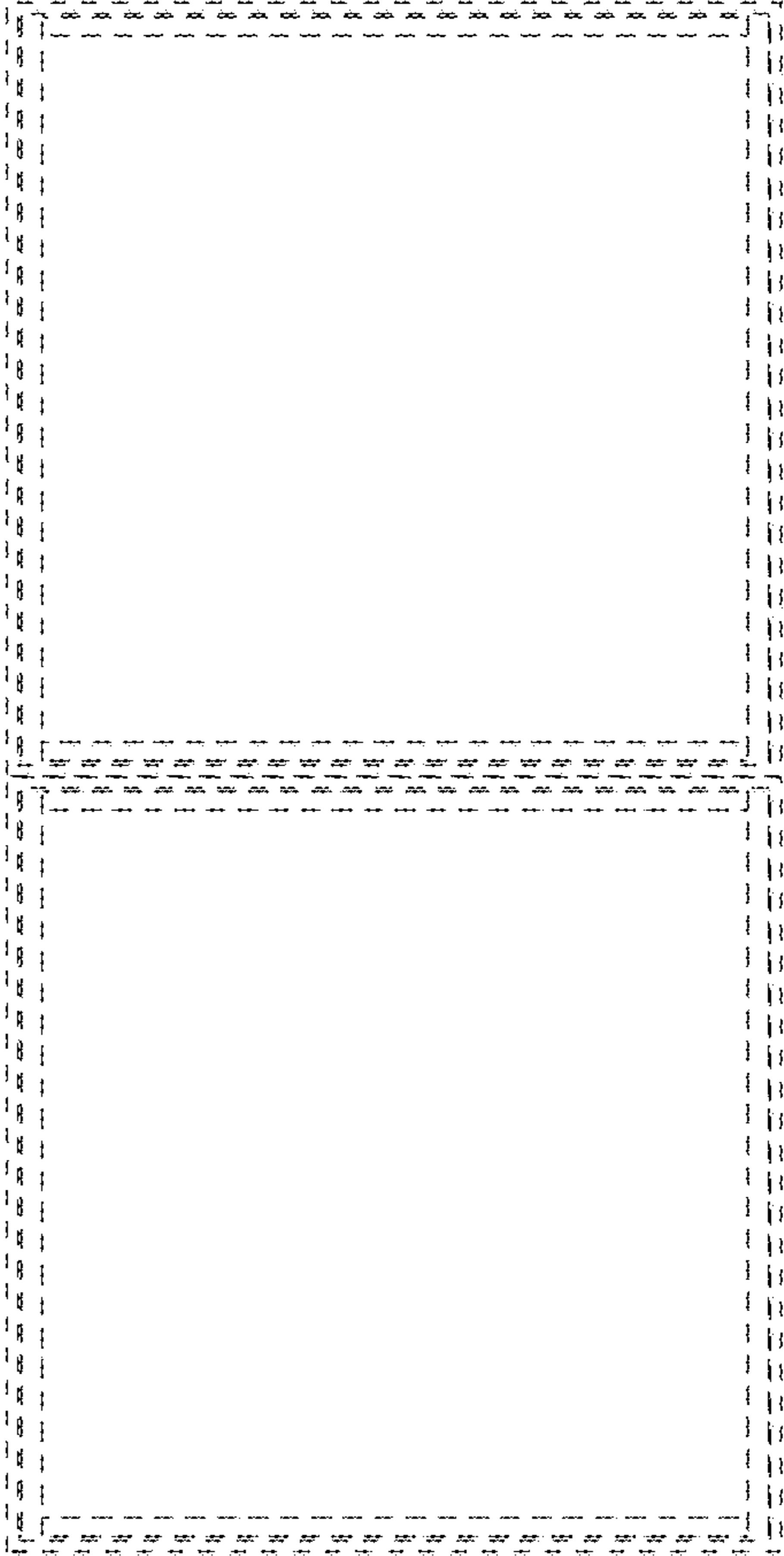


Fig. 6

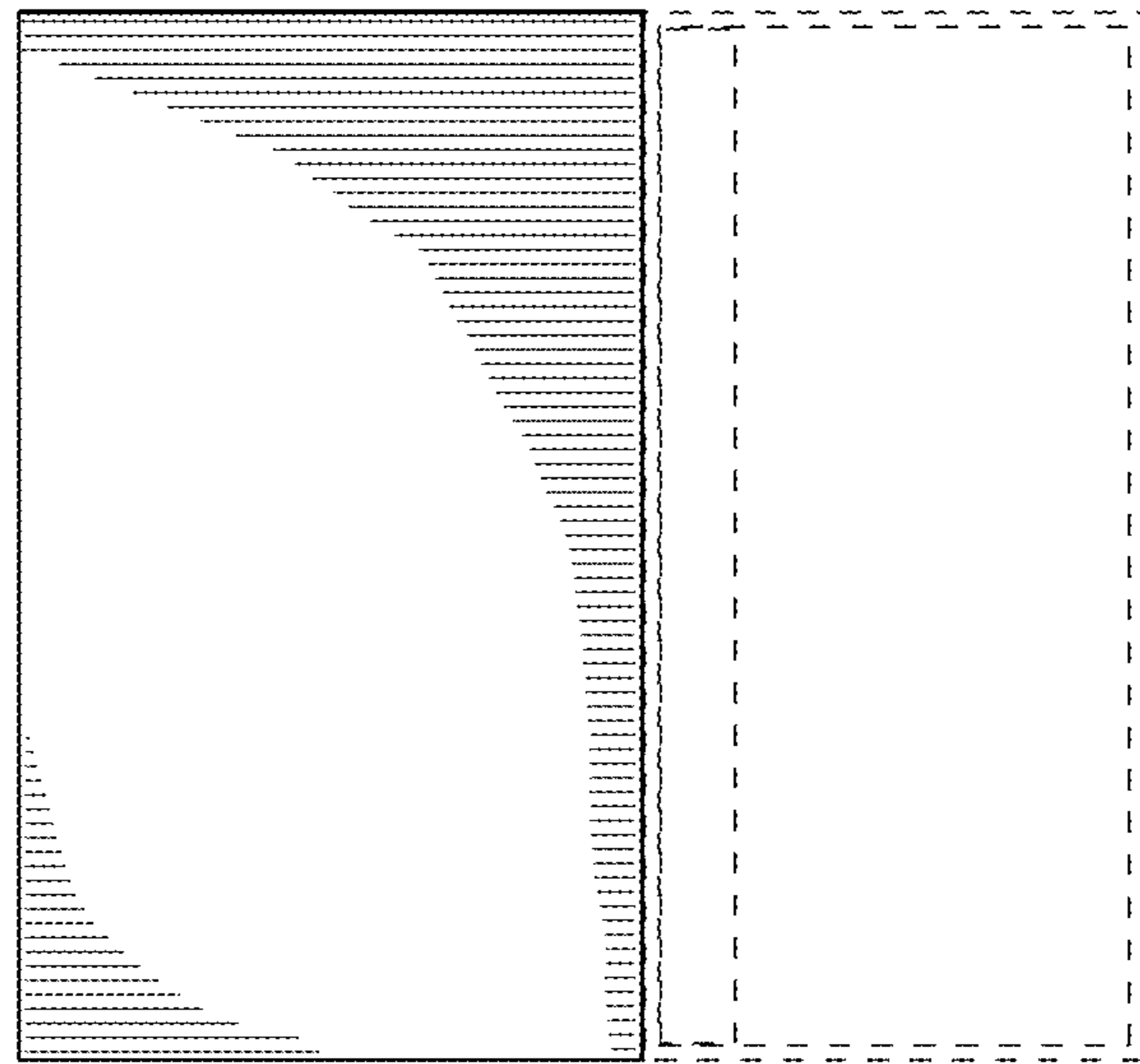


Fig. 7