



US00D830750S

(12) **United States Design Patent**
Hiyoshi et al.

(10) **Patent No.:** **US D830,750 S**
(45) **Date of Patent:** **** Oct. 16, 2018**

- (54) **CLUB CHAIR**
- (71) Applicant: **Steelcase Inc.**, Grand Rapids, MI (US)
- (72) Inventors: **Yuka Hiyoshi**, Grand Rapids, MI (US);
Bruce Smith, East Grand Rapids, MI (US); **William Bennie**, Rockford, MI (US); **Irfan Kachwalla**, Mid Levels West (HK); **James Ludwig**, Grand Rapids, MI (US); **Jessica Nebel**, Munich (DE); **Santiago Carral O’Gorman**, Grand Rapids, MI (US); **Madison Scheper**, Grand Rapids, MI (US)

- D99,959 S 6/1936 Nathan
- D158,877 S 6/1950 Manbert
- 3,498,654 A 3/1970 Diaz et al.
- 3,756,657 A 9/1973 Johnson
- D230,918 S 3/1974 Andrus
- D231,880 S 6/1974 Weinstock
- D234,331 S 2/1975 Rocchia
- D234,988 S 4/1975 Lopez-Benitez
- D239,228 S 3/1976 Introini
- D244,328 S * 5/1977 Heumann D6/334
- D252,484 S 7/1979 Petersilie
- D266,639 S 10/1982 Thorpe
- D284,046 S 6/1986 Staats et al.
- D289,950 S 5/1987 Offredi
- D293,637 S 1/1988 Tallon
- D321,435 S 11/1991 Scalisi et al.
- D352,186 S 11/1994 Torck et al.

- (73) Assignee: **Steelcase Inc.**, Grand Rapids, MI (US)
- (**) Term: **15 Years**

Primary Examiner — Mimoso De
(74) *Attorney, Agent, or Firm* — Brinks Gilson & Lione

- (21) Appl. No.: **29/634,427**
- (22) Filed: **Jan. 22, 2018**

Related U.S. Application Data

- (63) Continuation of application No. 29/582,796, filed on Oct. 31, 2016, now Pat. No. Des. 811,108.
- (51) **LOC (11) Cl.** **06-01**
- (52) **U.S. Cl.**
USPC **D6/716; D6/375**
- (58) **Field of Classification Search**
USPC D6/334, 335, 336, 361, 364, 369, 371, D6/372, 373, 374, 375, 381, 716, 716.1, D6/716.4
CPC A47C 3/16; A47C 7/18; A47C 7/50; A47C 7/24; A47C 11/00; A47C 15/002
See application file for complete search history.

- (56) **References Cited**
U.S. PATENT DOCUMENTS

61,610 A 1/1867 Cutter
936,451 A 10/1909 Haven hill

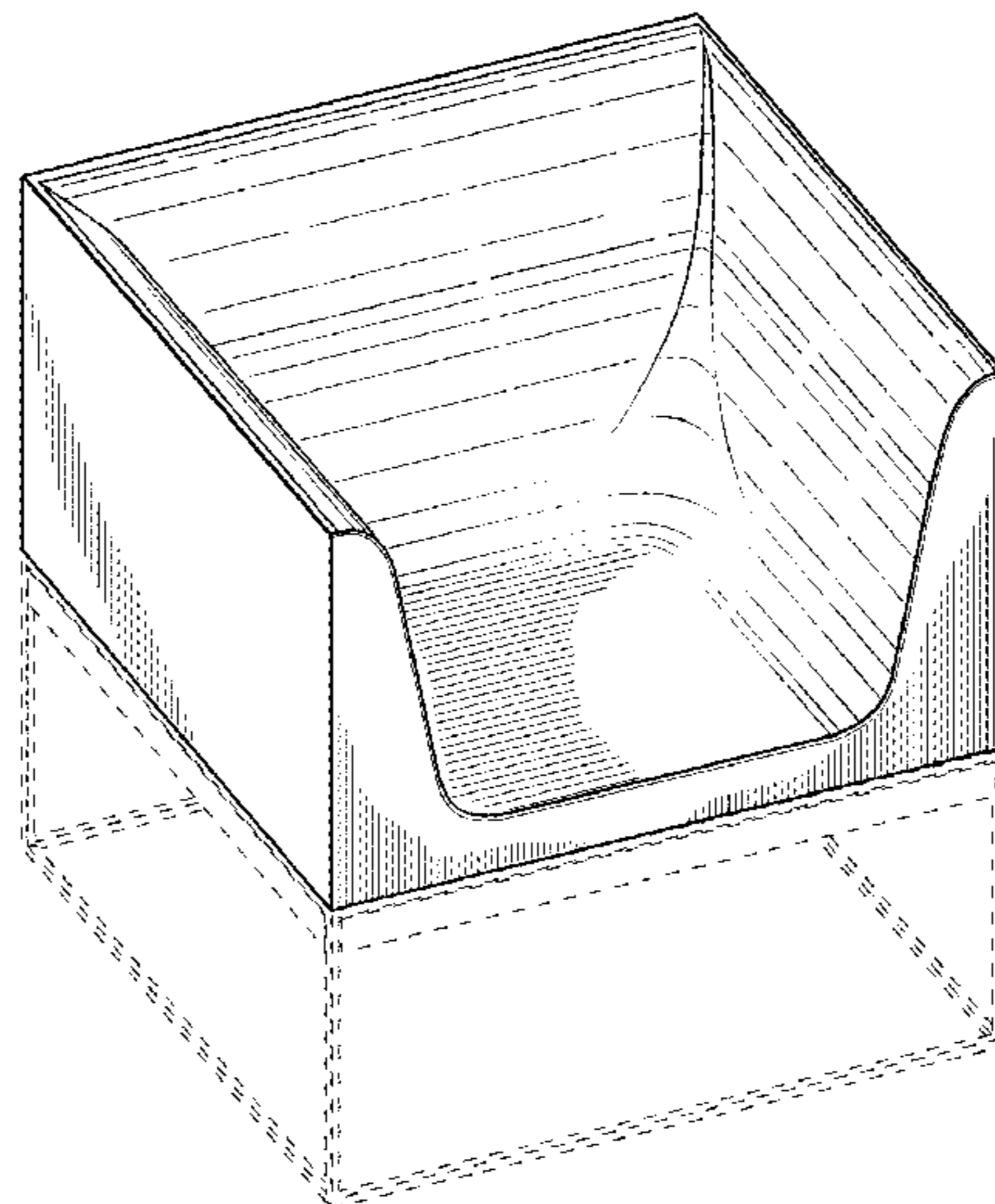
(57) **CLAIM**

We claim the ornamental design for a club chair, as shown and described.

DESCRIPTION

FIG. 1 is a top front perspective view of a club chair of the present design;
FIG. 2 is a bottom front perspective view thereof;
FIG. 3 is a front elevation view thereof;
FIG. 4 is a rear elevation view thereof;
FIG. 5 is a top plan view thereof;
FIG. 6 is a bottom plan view thereof; and,
FIG. 7 is a side elevation view thereof, where the left and right side elevation views are mirror images of each other. The broken line structures in the drawings form no part of the claimed design. Interior surfaces and other portions of the club chair not shown in the illustrated drawings form no part of the claimed design.

1 Claim, 5 Drawing Sheets



(56)

References Cited

U.S. PATENT DOCUMENTS

D360,310 S * 7/1995 Stamberg D6/334
 D368,174 S 3/1996 Lewis
 D376,274 S 12/1996 Lewis
 D380,095 S * 6/1997 Diaz-Azcuy D6/334
 D382,129 S 8/1997 Lewis
 D387,573 S 12/1997 Lewis
 D392,470 S 3/1998 Smith
 D410,800 S * 6/1999 Gomez D6/369
 D422,422 S * 4/2000 Black D6/334
 D431,381 S 10/2000 Gomez
 D439,071 S 3/2001 D'Urso et al.
 D448,946 S 10/2001 Goetz
 D484,712 S 1/2004 Gomez
 D484,713 S 1/2004 Gomez
 D515,837 S 2/2006 Nicoletti
 D519,743 S 5/2006 Suzuki et al.
 D567,527 S 4/2008 Galardo
 D576,820 S 9/2008 Priestman

D577,924 S 10/2008 van Ierssel et al.
 D577,926 S 10/2008 Marin et al.
 D586,140 S 2/2009 Massaud
 D588,825 S 3/2009 van Ierssel et al.
 D589,714 S 4/2009 Cazares et al.
 D602,705 S 10/2009 Holbrook
 D643,643 S 8/2011 Lievore
 D660,610 S 5/2012 Nguyen
 D681,361 S 5/2013 Silver et al.
 D682,575 S 5/2013 Versace
 D695,035 S 12/2013 Ciani et al.
 D698,172 S 1/2014 Ciani et al.
 D712,173 S 9/2014 Ciani et al.
 D712,674 S 9/2014 Ciani et al.
 D743,726 S 11/2015 Yeh
 D751,311 S 3/2016 Schroeder
 D806,424 S * 1/2018 Bougay D6/369
 D810,451 S * 2/2018 Liu D6/335
 D811,108 S * 2/2018 Hiyoshi D6/375
 D811,109 S * 2/2018 Hiyoshi D6/375

* cited by examiner

Fig. 1

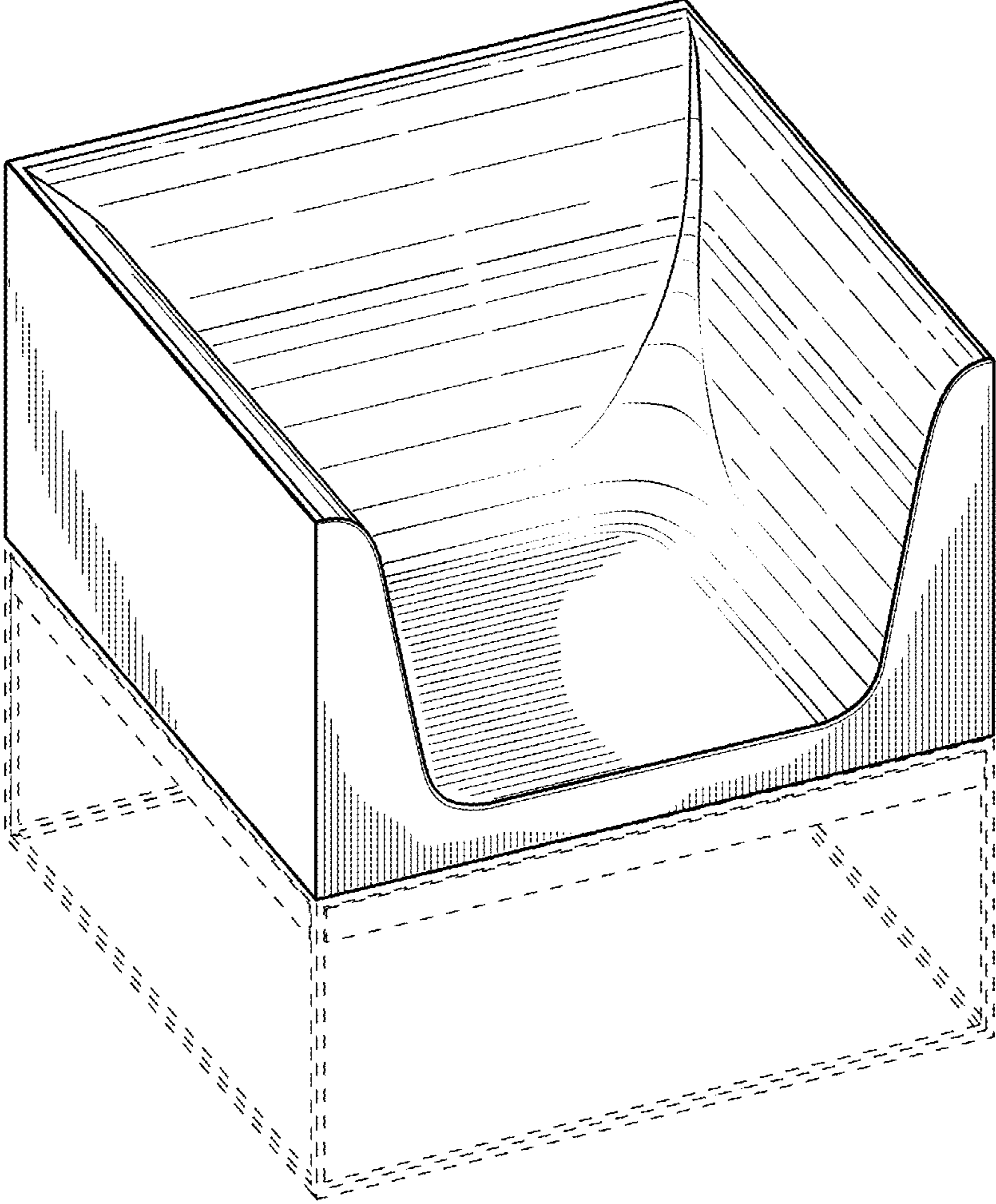


Fig. 2

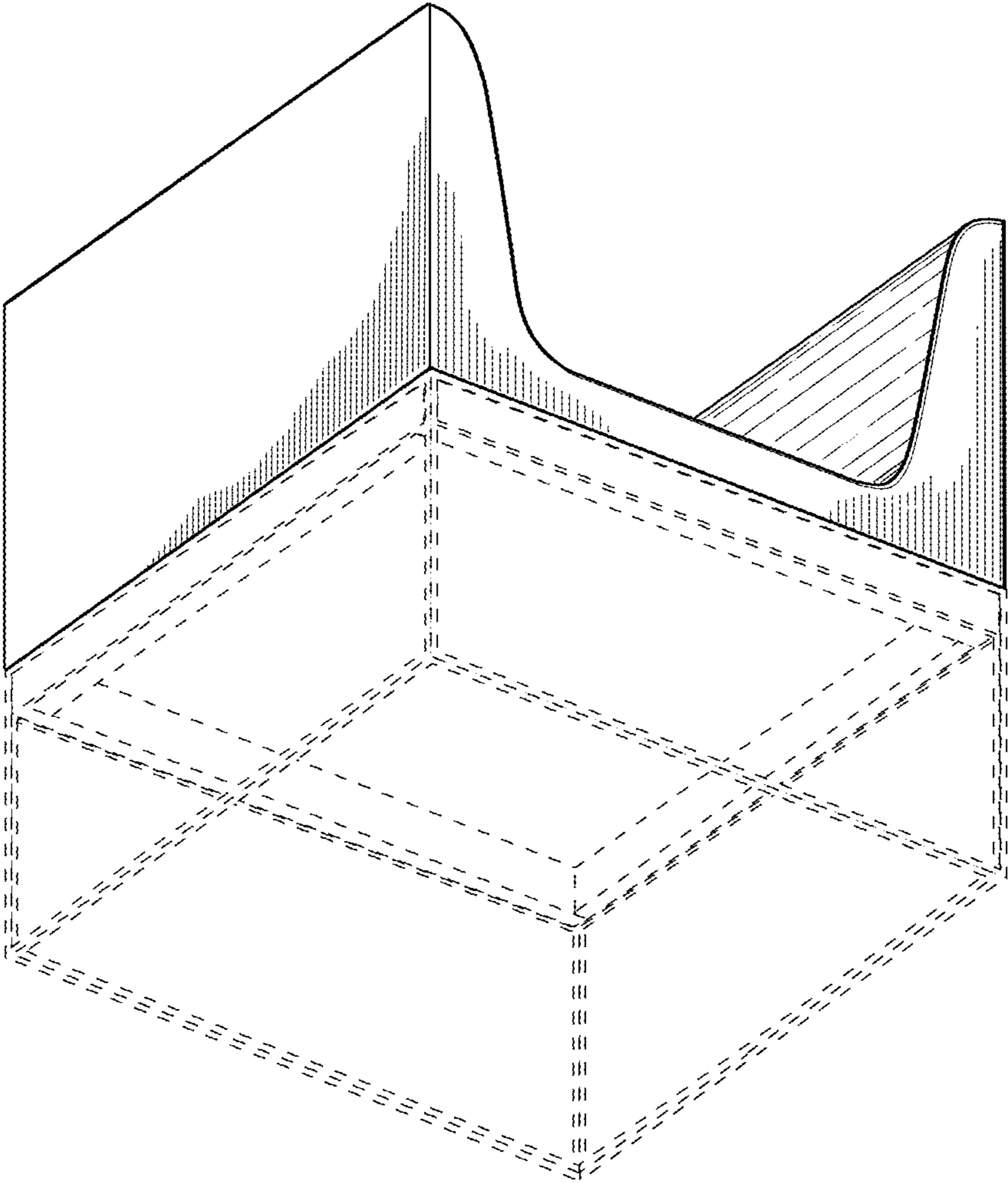


Fig. 3

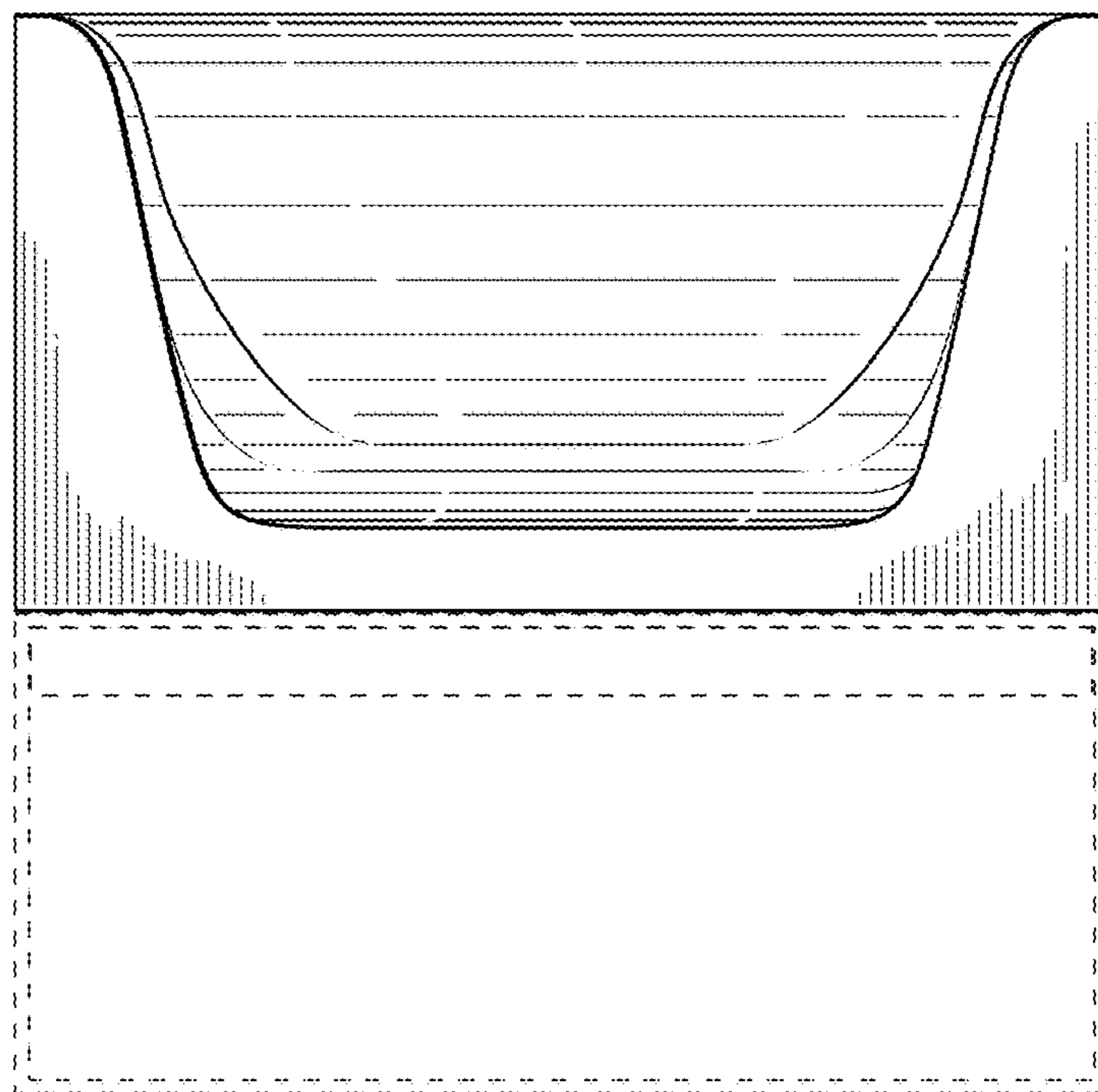


Fig. 4

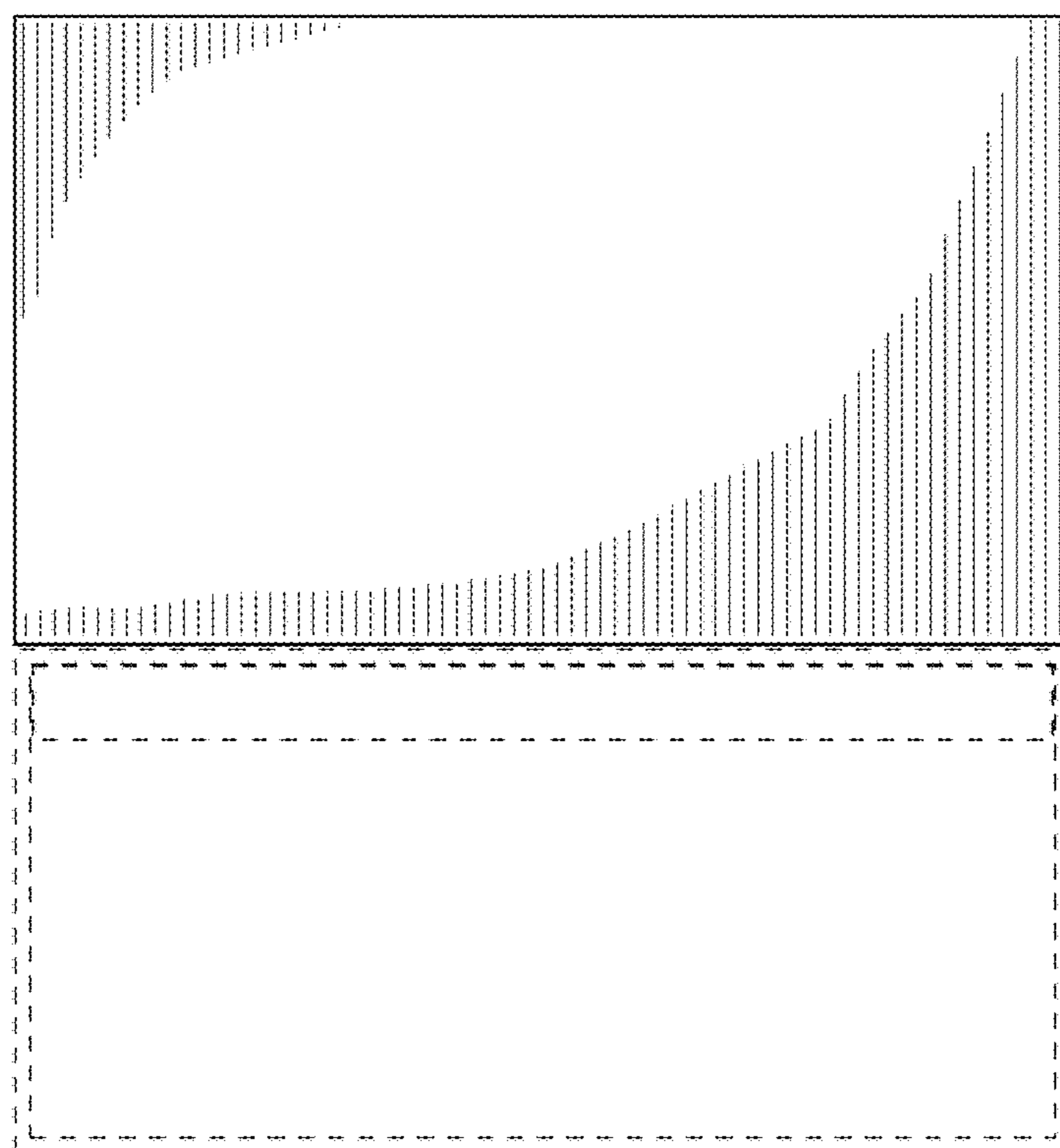


Fig. 5

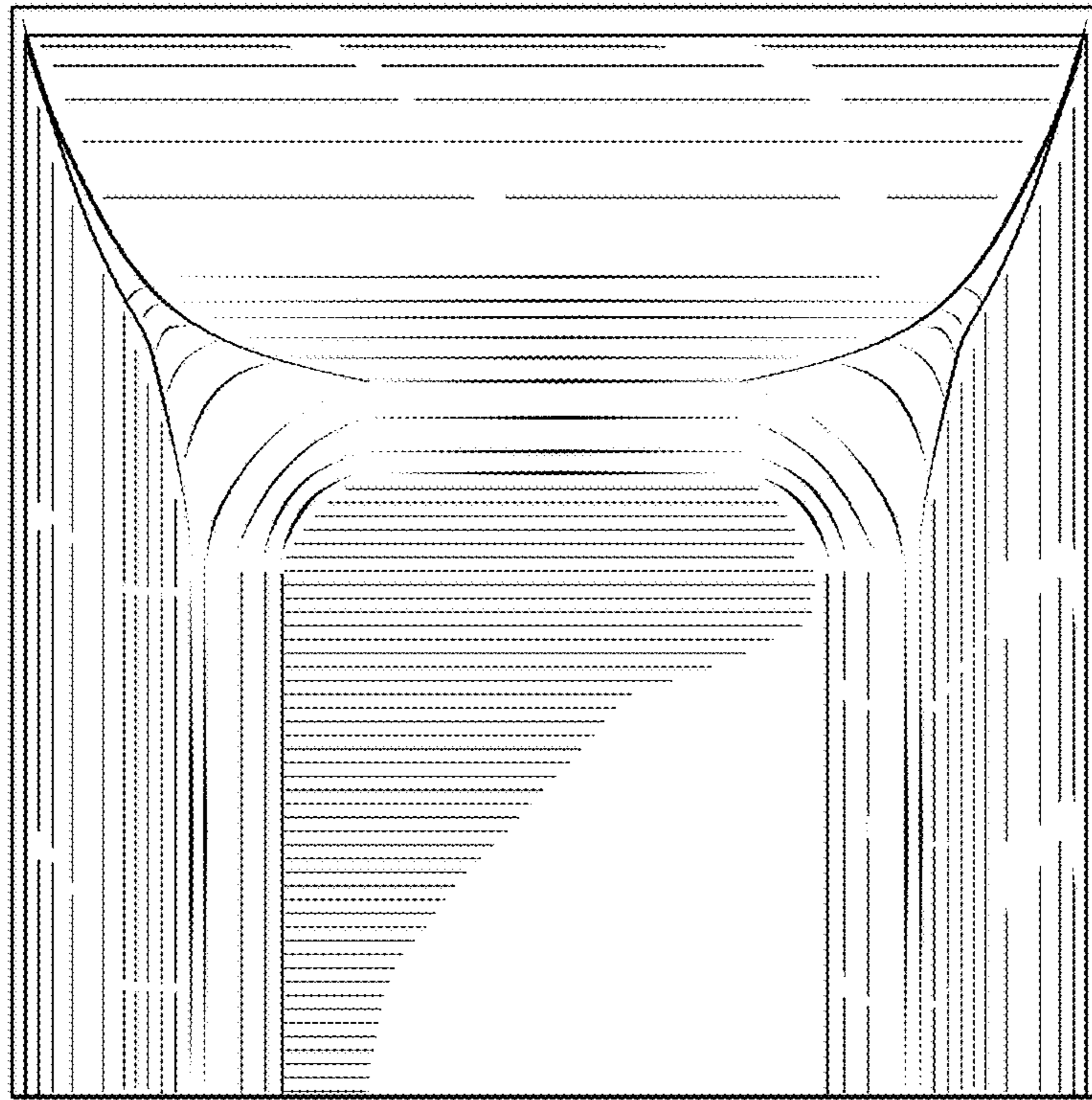


Fig. 6

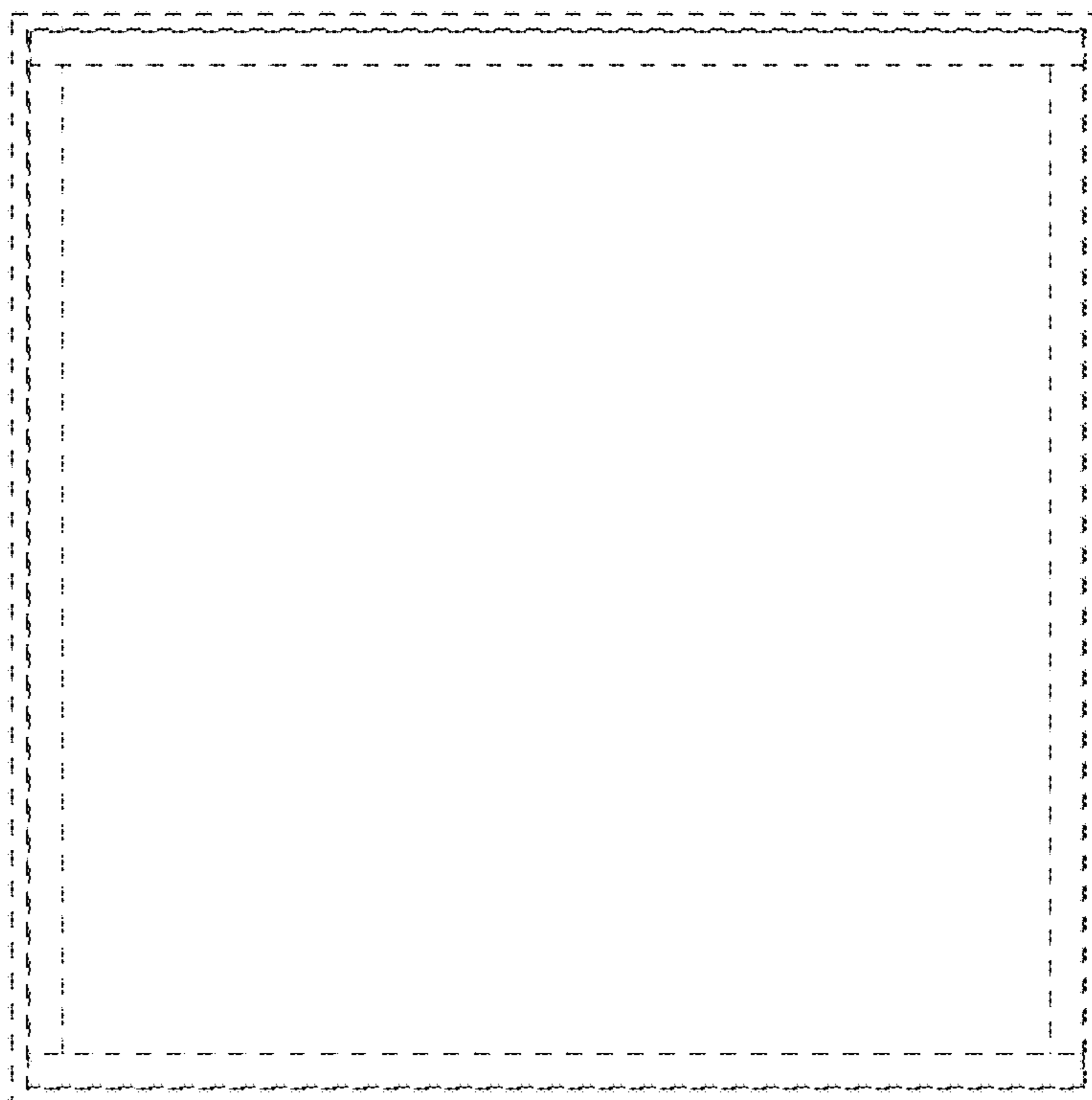


Fig. 7

