



US00D830749S

(12) **United States Design Patent** (10) **Patent No.:** **US D830,749 S**
Devries et al. (45) **Date of Patent:** **** Oct. 16, 2018**

(54) **CHAIR**
(71) Applicant: **EXEMPLIS LLC**, Cypress, CA (US)
(72) Inventors: **Paul Devries**, Huntington Beach, CA (US); **Mitch Mulder**, Huntington Beach, CA (US); **Brittney Blaise**, Lakewood, CA (US)
(73) Assignee: **EXEMPLIS LLC**, Cypress, CA (US)
(**) Term: **15 Years**

D513,457 S * 1/2006 Asano D6/376
D513,566 S * 1/2006 Green D6/380
D541,068 S * 4/2007 Foster D6/374
D597,757 S * 8/2009 Barbieri D6/374
D600,465 S * 9/2009 Kumazawa D6/373
D609,487 S * 2/2010 Kumazawa D6/373
D609,488 S * 2/2010 Kumazawa D6/373
D611,265 S * 3/2010 Ko D6/368
D643,640 S * 8/2011 DeSanta D6/366
D645,272 S * 9/2011 Lissoni D6/376
D655,933 S * 3/2012 Kumazawa D6/373
D656,334 S * 3/2012 Kumazawa D6/373
D656,335 S * 3/2012 Kumazawa D6/373

(Continued)

(21) Appl. No.: **29/557,537**
(22) Filed: **Mar. 9, 2016**
(51) **LOC (11) Cl.** **06-01**
(52) **U.S. Cl.**
USPC **D6/716; D6/380**
(58) **Field of Classification Search**
USPC D6/334-336, 360, 366, 371, 372, 373,
D6/374, 375, 376, 379, 380, 716, 716.1,
D6/716.4
CPC A47C 3/04; A47C 4/02; A47C 4/03; A47C
5/04; A47C 3/12; A47C 5/12; A47C 7/44;
A47C 7/004; A47C 7/006; A47C 7/54
See application file for complete search history.

OTHER PUBLICATIONS

SitOnIt website, Lumin chair, May 22, 2015, <http://www.sitonit.net/productcatalog/lumin.html> (Year: 2015).*

Primary Examiner — David G Muller
Assistant Examiner — Nathan M Johnston
(74) *Attorney, Agent, or Firm* — Richard P. Sybert; David R. Heckadon; Gordon Rees Scully Mansukhani LLP

(57) **CLAIM**

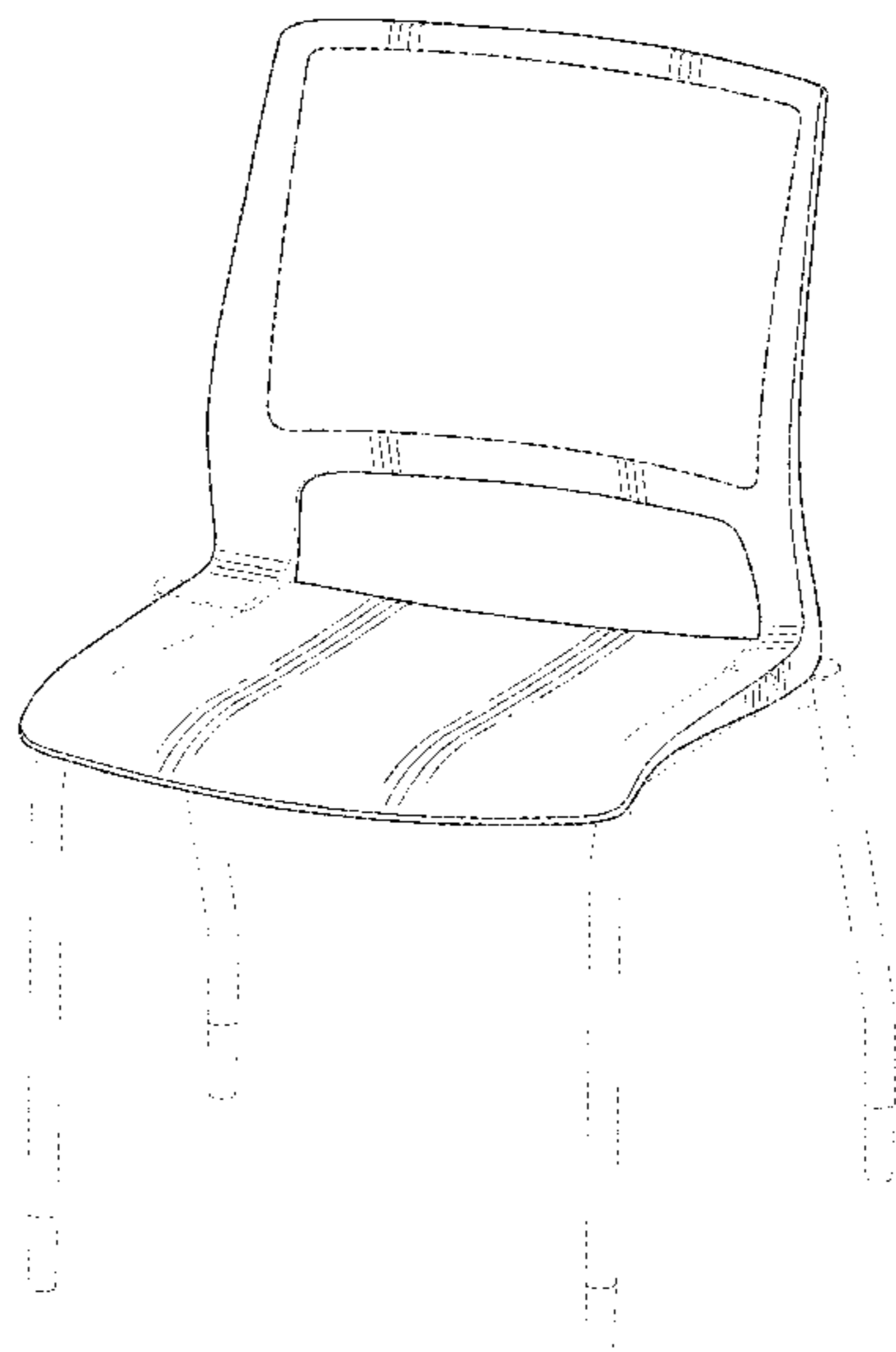
The ornamental design for a chair, as shown and described.

DESCRIPTION

FIG. 1 is a top front isometric view of a chair showing our new design.
FIG. 2 is a top plan view thereof.
FIG. 3 is a bottom plan view thereof.
FIG. 4 is a left-side elevation view thereof; and,
FIG. 5 is a right-side elevation view thereof.
The dashed dot lines immediately adjacent to the shaded areas in the figures represent the boundaries of the claimed design. The dashed lines in the figures illustrate the portions of the design that form no part of the claimed design. None of the broken lines form any part of the claimed design.

(56) **References Cited**
U.S. PATENT DOCUMENTS
D178,095 S * 6/1956 Koert D6/380
4,400,031 A * 8/1983 DeDecker A47C 3/04
108/91
D278,870 S * 5/1985 Giorgetti D6/369
D279,247 S * 6/1985 Murry D6/380
D281,941 S * 12/1985 Ambasz D6/716
D312,004 S * 11/1990 Smith D6/368
D352,183 S * 11/1994 Sheridan D6/374
5,961,184 A * 10/1999 Balderi A47C 5/04
297/440.15
D481,550 S * 11/2003 Astle D6/374

1 Claim, 5 Drawing Sheets



(56)

References Cited

U.S. PATENT DOCUMENTS

D660,612	S *	5/2012	Smith	D6/374
D669,278	S *	10/2012	Kumazawa	D6/373
D681,360	S *	5/2013	Hartman	D6/369
D686,833	S *	7/2013	Chan	D6/376
D686,834	S *	7/2013	Mascetti	D6/376
D688,058	S *	8/2013	Mascetti	D6/376
D751,329	S *	3/2016	Johnson	D6/374
D752,356	S *	3/2016	Tiet	D6/374
D752,896	S *	4/2016	Tiet	D6/374
D760,525	S *	7/2016	Piretti	D6/380
D766,639	S *	9/2016	Glass	D6/373
D778,631	S *	2/2017	Tanaka	D6/373
D787,849	S *	5/2017	Lin	D6/376
2005/0104421	A1 *	5/2005	Astle	A47C 5/043 297/183.7
2007/0222268	A1 *	9/2007	Saez	A47C 3/04 297/354.11
2014/0145480	A1 *	5/2014	Johnson	A47C 3/04 297/239
2016/0051053	A1 *	2/2016	Scagnellato	A47C 7/002 297/239

* cited by examiner

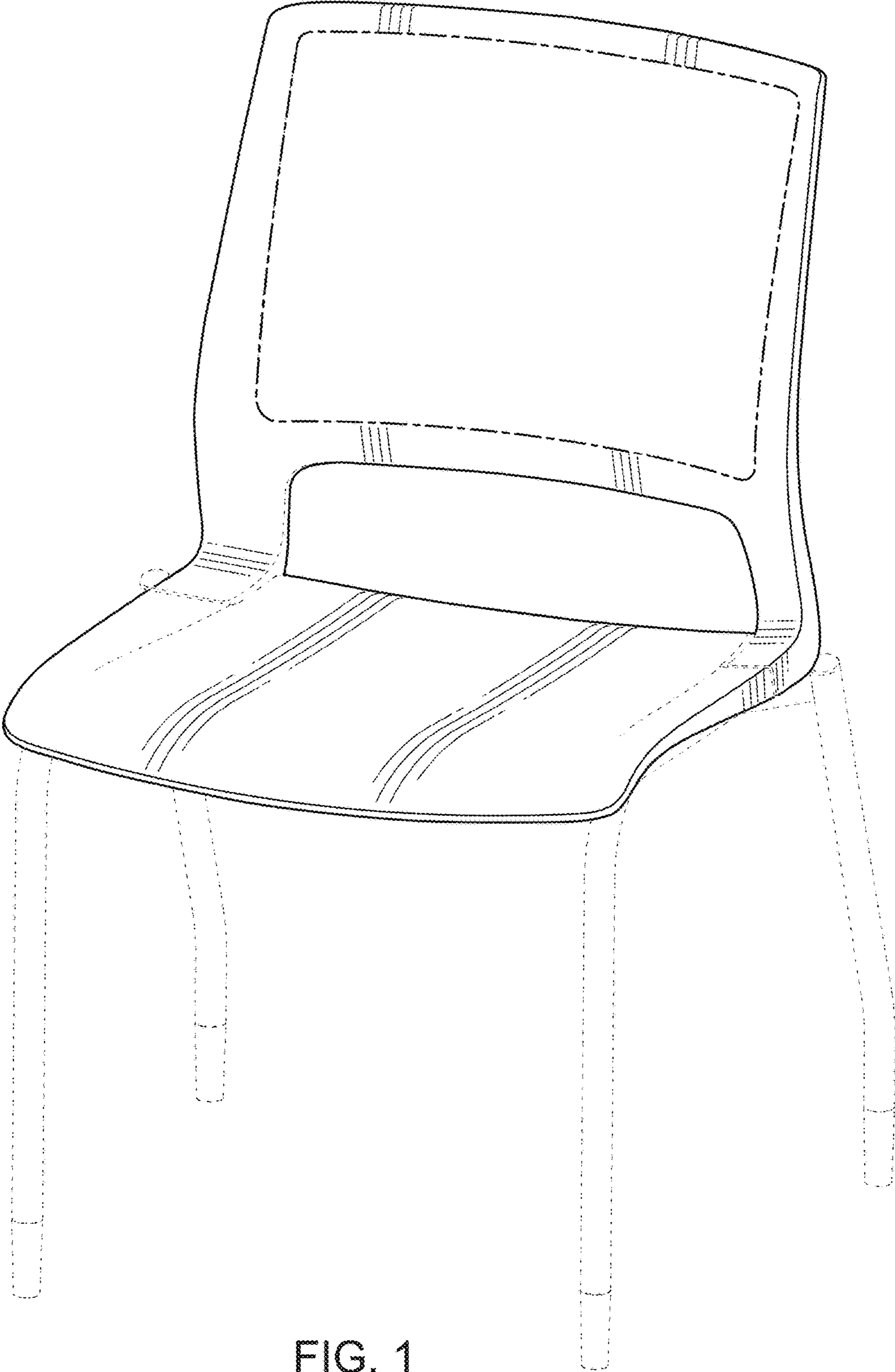


FIG. 1

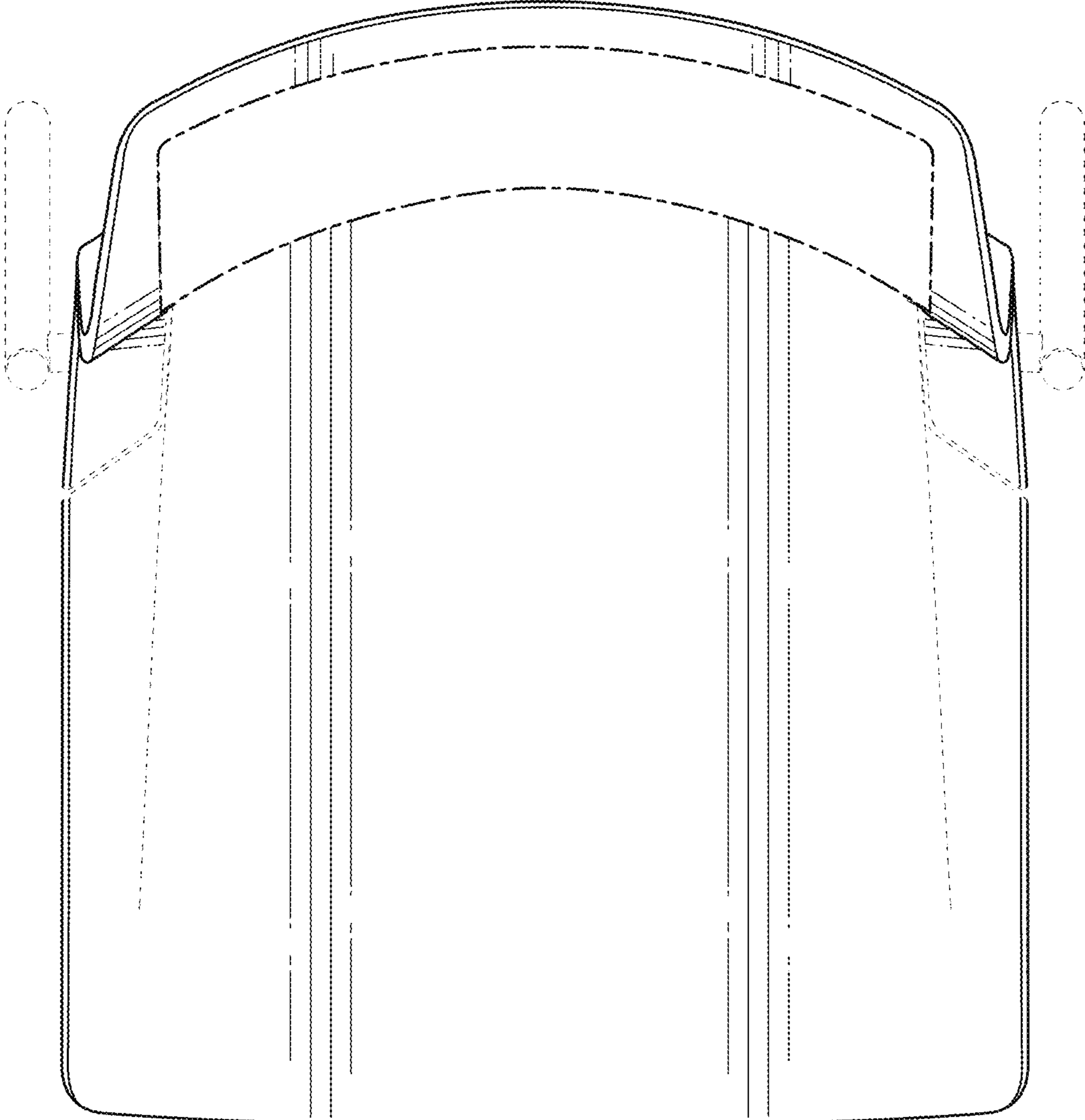


FIG. 2

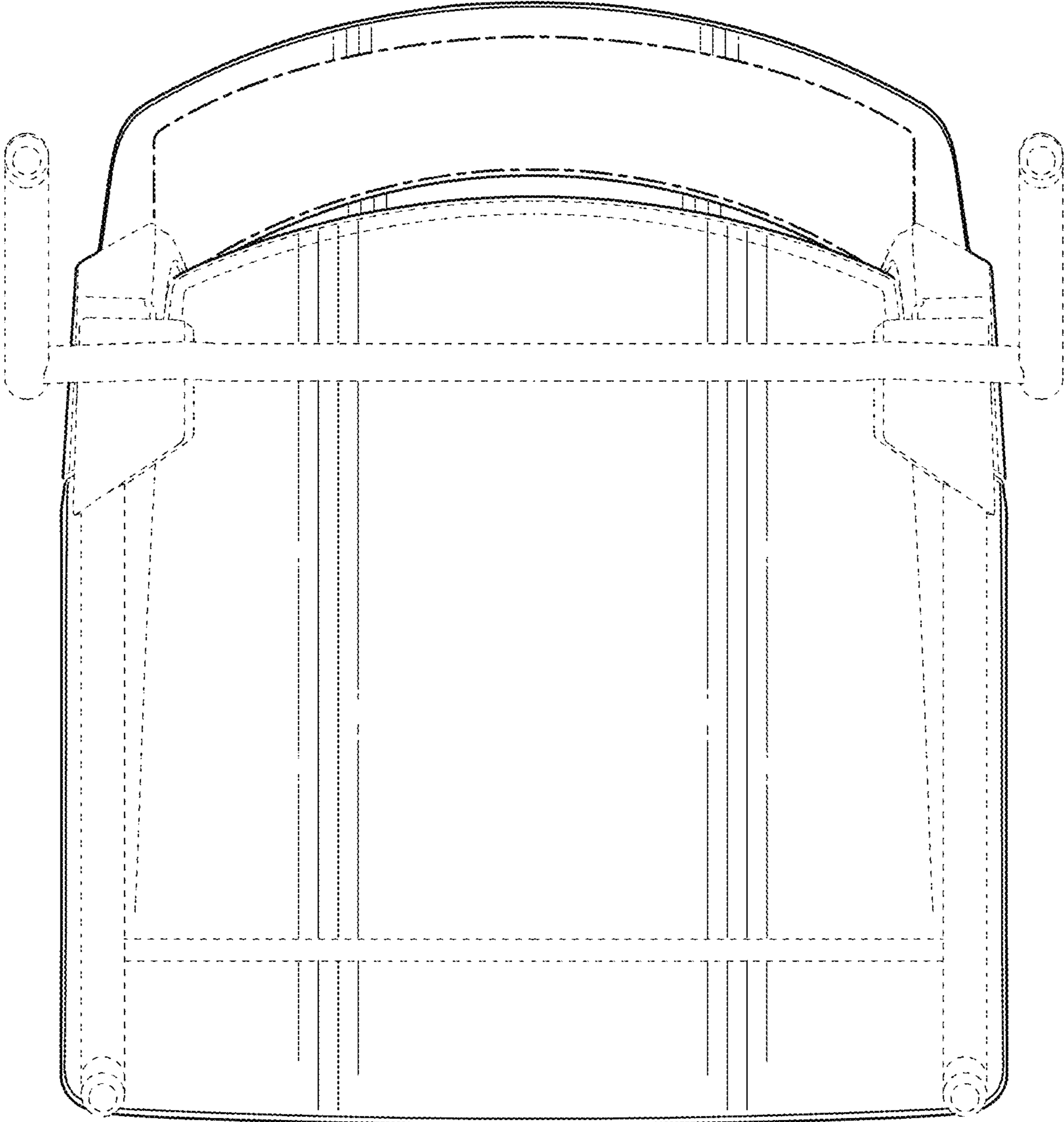


FIG. 3

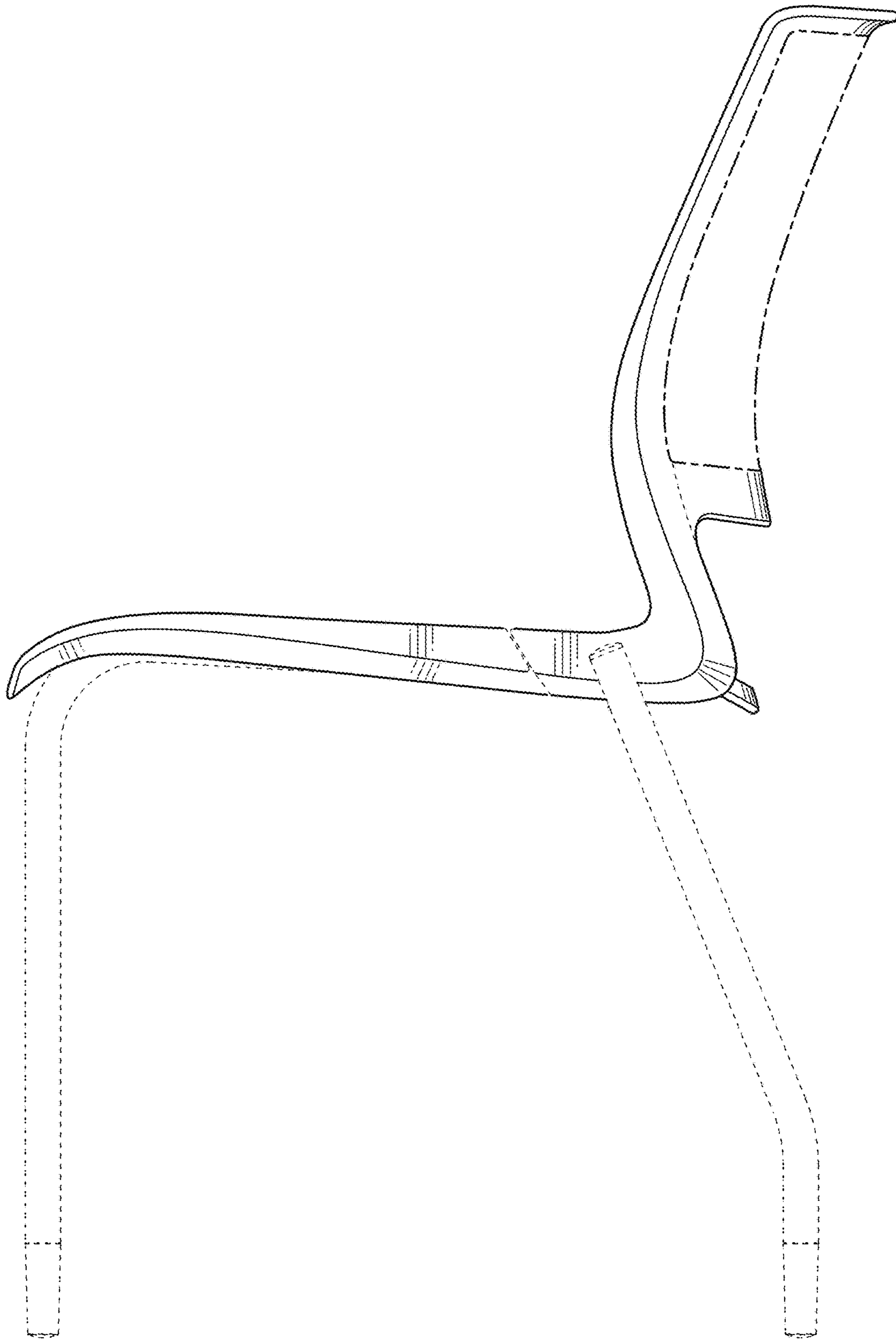


FIG. 4

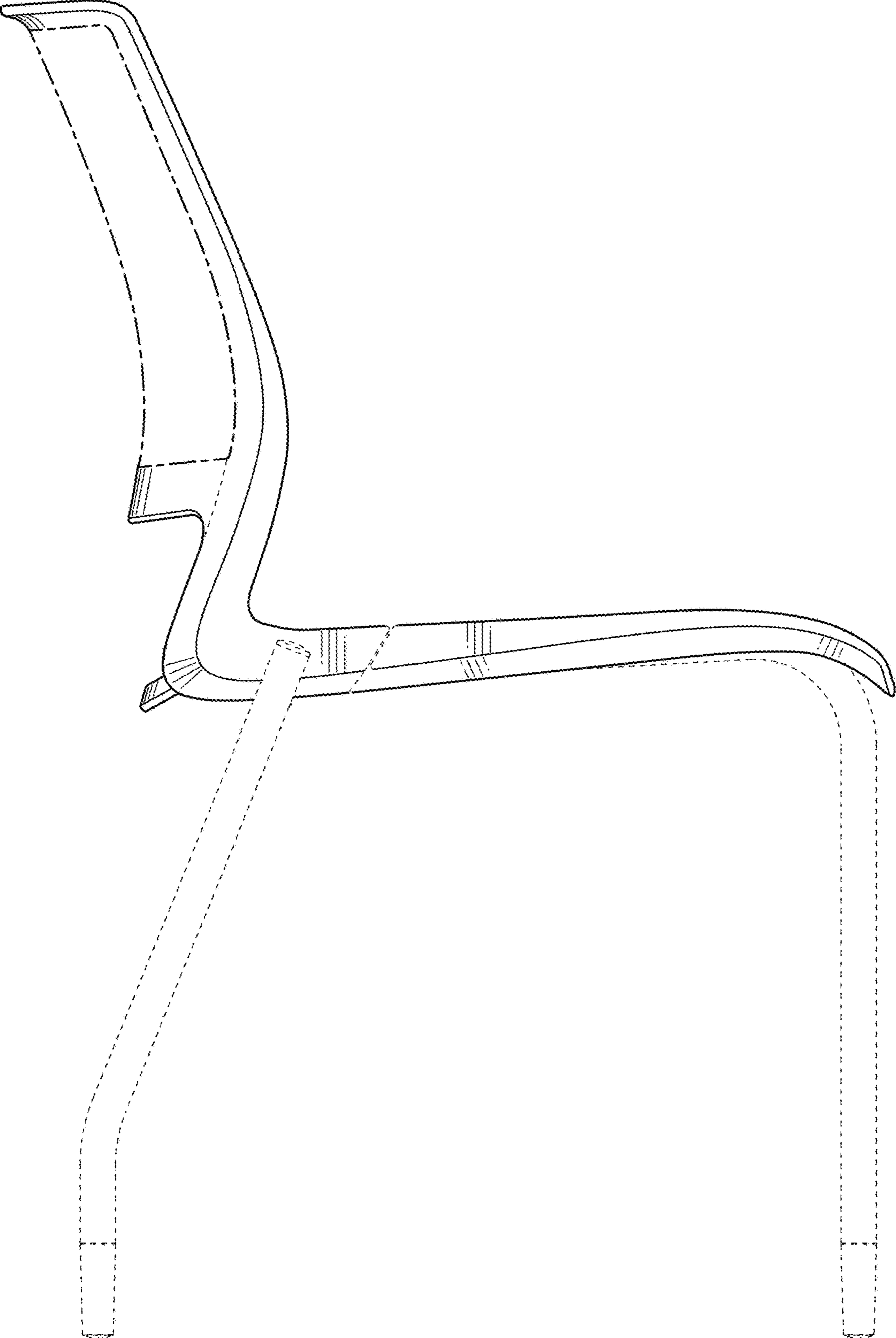


FIG. 5