



US00D830747S

(12) **United States Design Patent** (10) **Patent No.:** **US D830,747 S**
Harvey (45) **Date of Patent:** **** Oct. 16, 2018**

(54) **TABLE**

(71) Applicant: **Herman Miller, Inc.**, Zeeland, MI (US)
(72) Inventor: **Laura Harvey**, Holland, MI (US)
(73) Assignee: **Herman Miller, Inc.**, Zeeland, MI (US)
(**) Term: **15 Years**

(21) Appl. No.: **29/598,273**
(22) Filed: **Mar. 24, 2017**
(51) **LOC (11) Cl.** **06-06**
(52) **U.S. Cl.**
USPC **D6/707.22; D6/708.24**

(58) **Field of Classification Search**
USPC D6/338, 641, 656, 656.1, 656.13, 656.15,
D6/656.18, 685, 686, 687, 693, 696,
D6/696.1, 696.3, 696.4, 697, 697.1,
D6/697.2, 704, 705.1, 707, 707.21,
D6/707.22, 707.23, 708.24
CPC A47B 3/00; A47B 7/00; A47B 7/02; A47B
13/00; A47B 13/08; A47B 21/00; A47B
21/02; A47B 41/00; A47B 41/02; A47B
2200/0001; A47B 2200/0003; A47B
2200/0035
See application file for complete search history.

(56) **References Cited**

U.S. PATENT DOCUMENTS
D221,672 S * 8/1971 Kalilich D21/799.2
D276,396 S * 11/1984 Locher D6/708.24
D339,487 S * 9/1993 Rizzi D6/696.1
D401,086 S * 11/1998 Hellwig D6/650
D565,876 S * 4/2008 Potente D6/707.22
D646,916 S * 10/2011 Barrett D6/707.22

OTHER PUBLICATIONS

Charles Eames chair EA 119 Hopsak, posted at En.Wikipedia.org, posted on Jan. 18, 2008, online, site visited Oct. 19, 2017. Available from Internet: https://en.wikipedia.org/wiki/Eames_Aluminum_Group#/media/File:Charles_Eames_chair_EA_119_Hopsak.jpg.*

* cited by examiner

Primary Examiner — Mary Ann Calabrese
Assistant Examiner — Catherine Ho
(74) *Attorney, Agent, or Firm* — Michael Best & Friedrich LLP

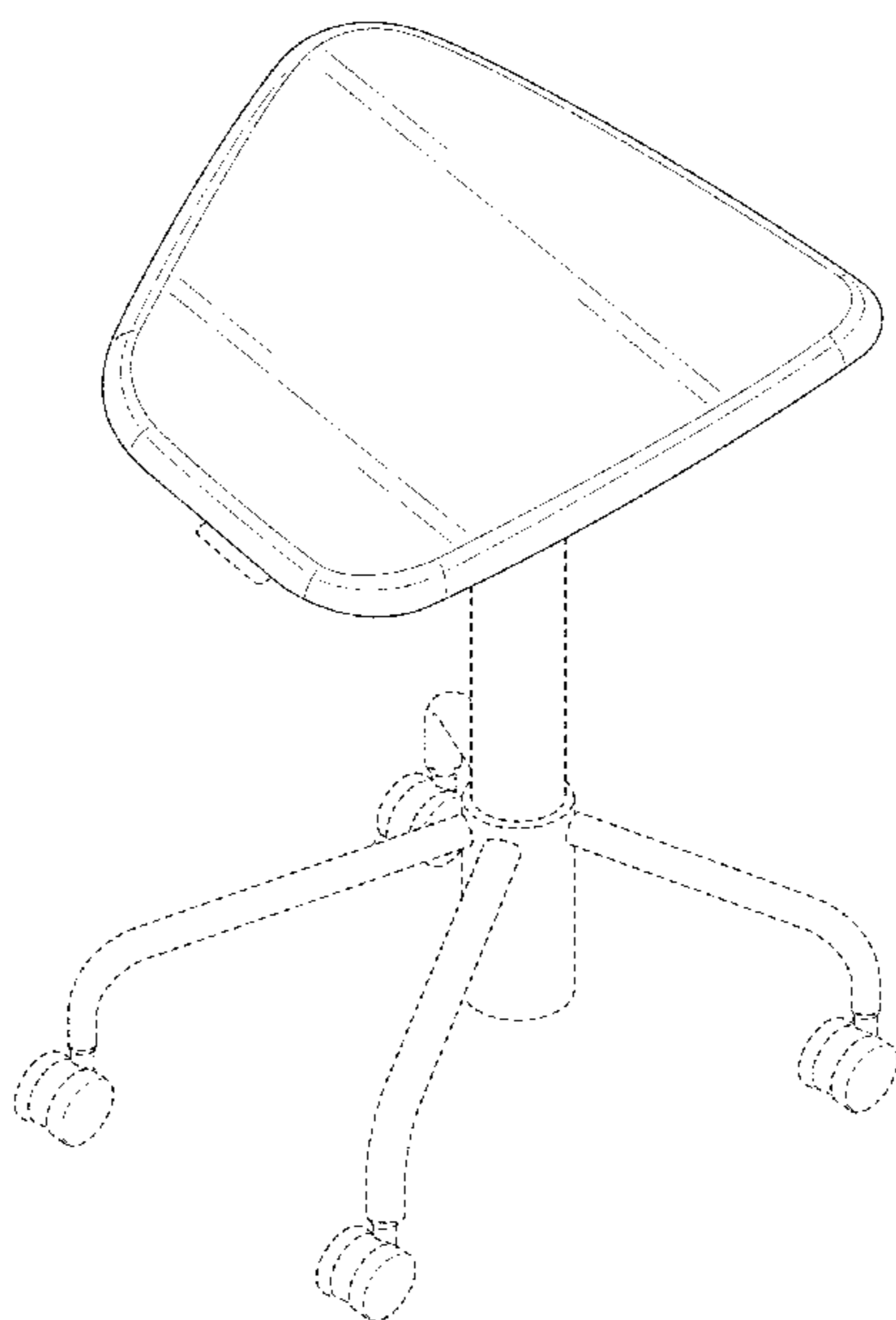
(57) **CLAIM**

I claim the ornamental design for a table, as shown and described.

DESCRIPTION

FIG. 1 is a perspective view of a table embodying the invention.
FIG. 2 is a front view of the table of FIG. 1.
FIG. 3 is a rear view of the table of FIG. 1.
FIG. 4 is a first side view of the table of FIG. 1.
FIG. 5 is a second side view of the table of FIG. 1.
FIG. 6 is a top view of the table of FIG. 1.
FIG. 7 is a bottom view of the table of FIG. 1.
FIG. 8 is a perspective view of another table embodying the invention.
FIG. 9 is a front view of the table of FIG. 8.
FIG. 10 is a rear view of the table of FIG. 8.
FIG. 11 is a first side view of the table of FIG. 8.
FIG. 12 is a second side view of the table of FIG. 8.
FIG. 13 is a top view of the table of FIG. 8; and,
FIG. 14 is a bottom view of the table of FIG. 8.
Portions of the table shown in broken lines are for illustrative purposes only and form no part of the claimed design.

1 Claim, 14 Drawing Sheets



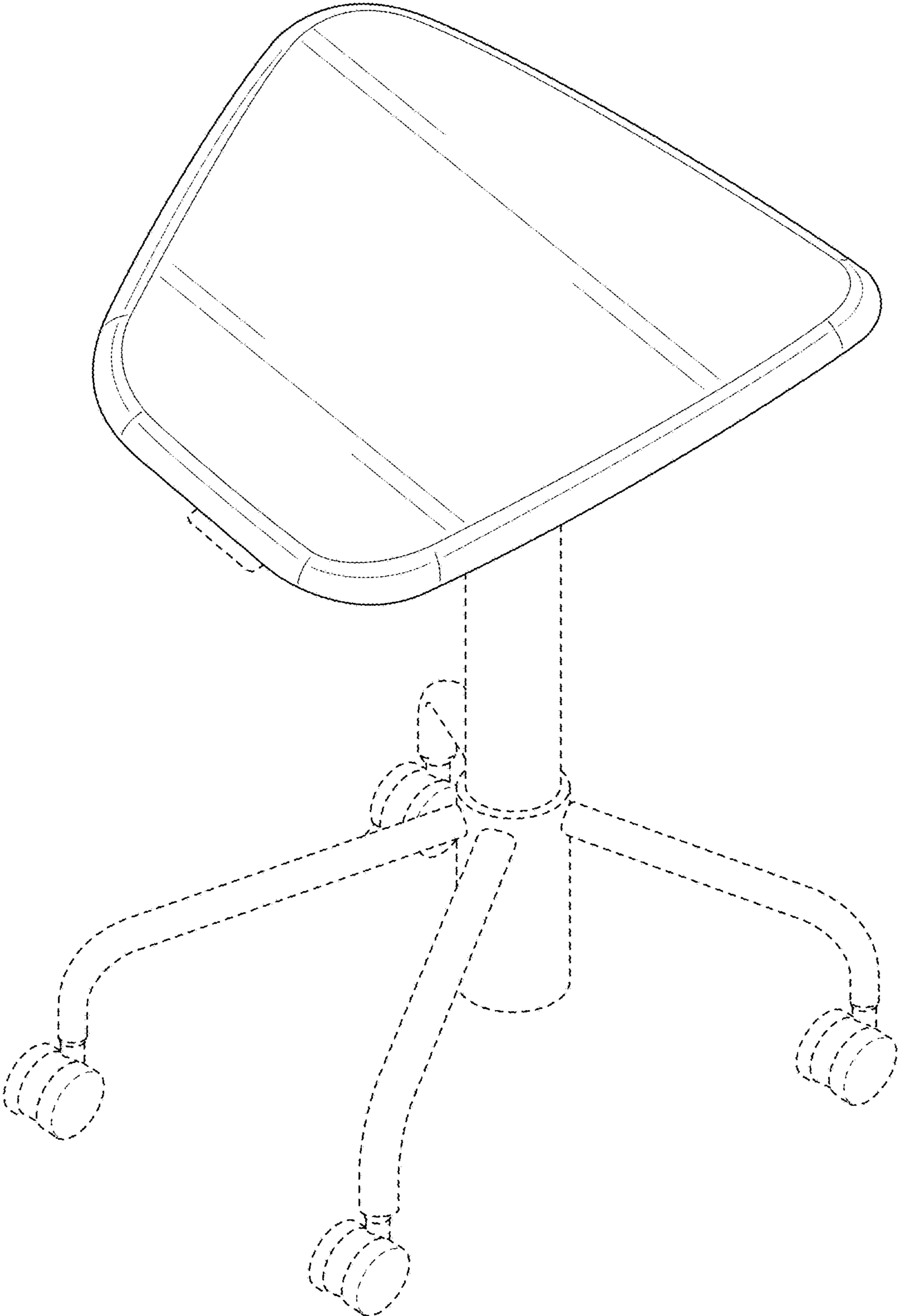


FIG. 1

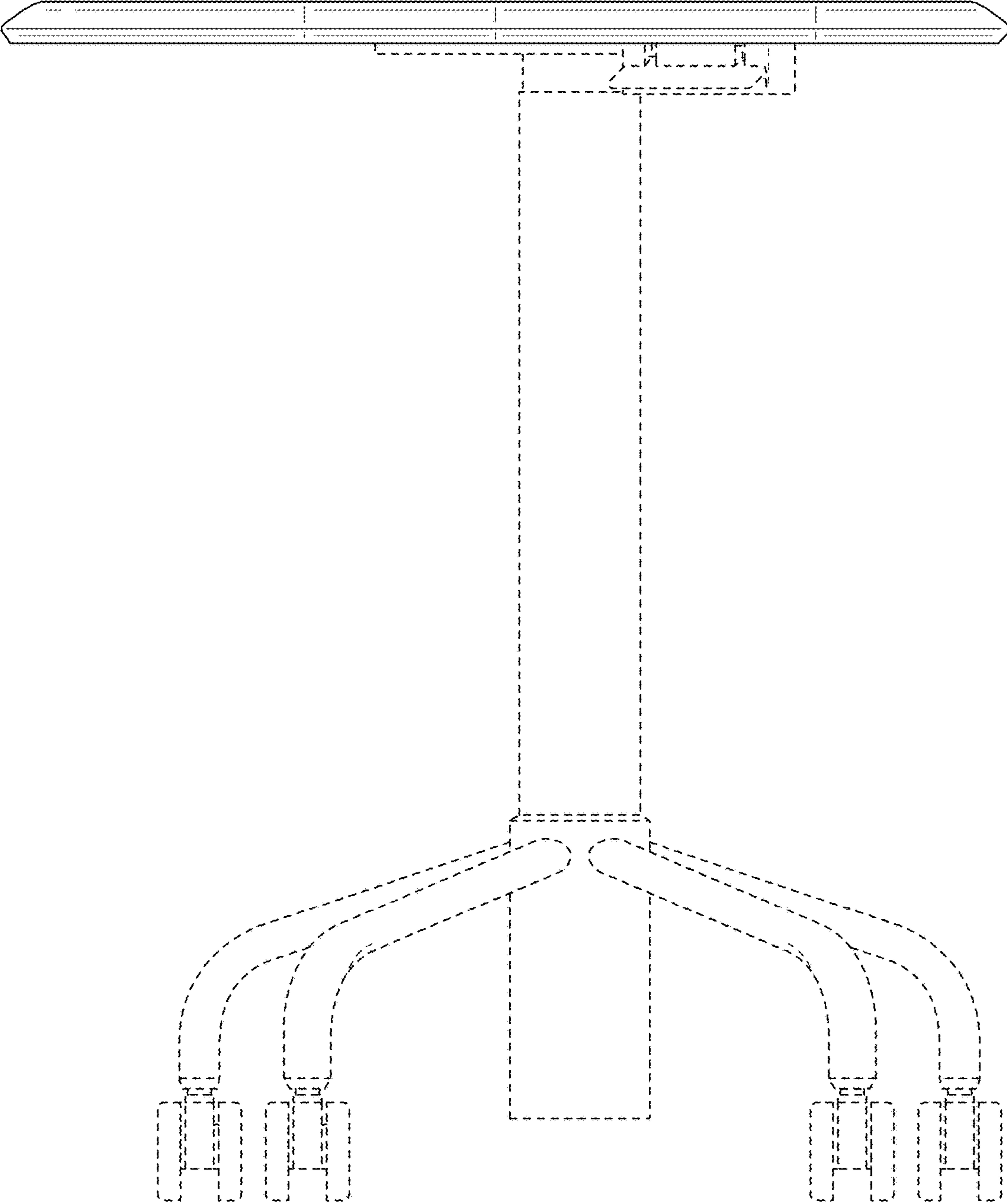


FIG. 2

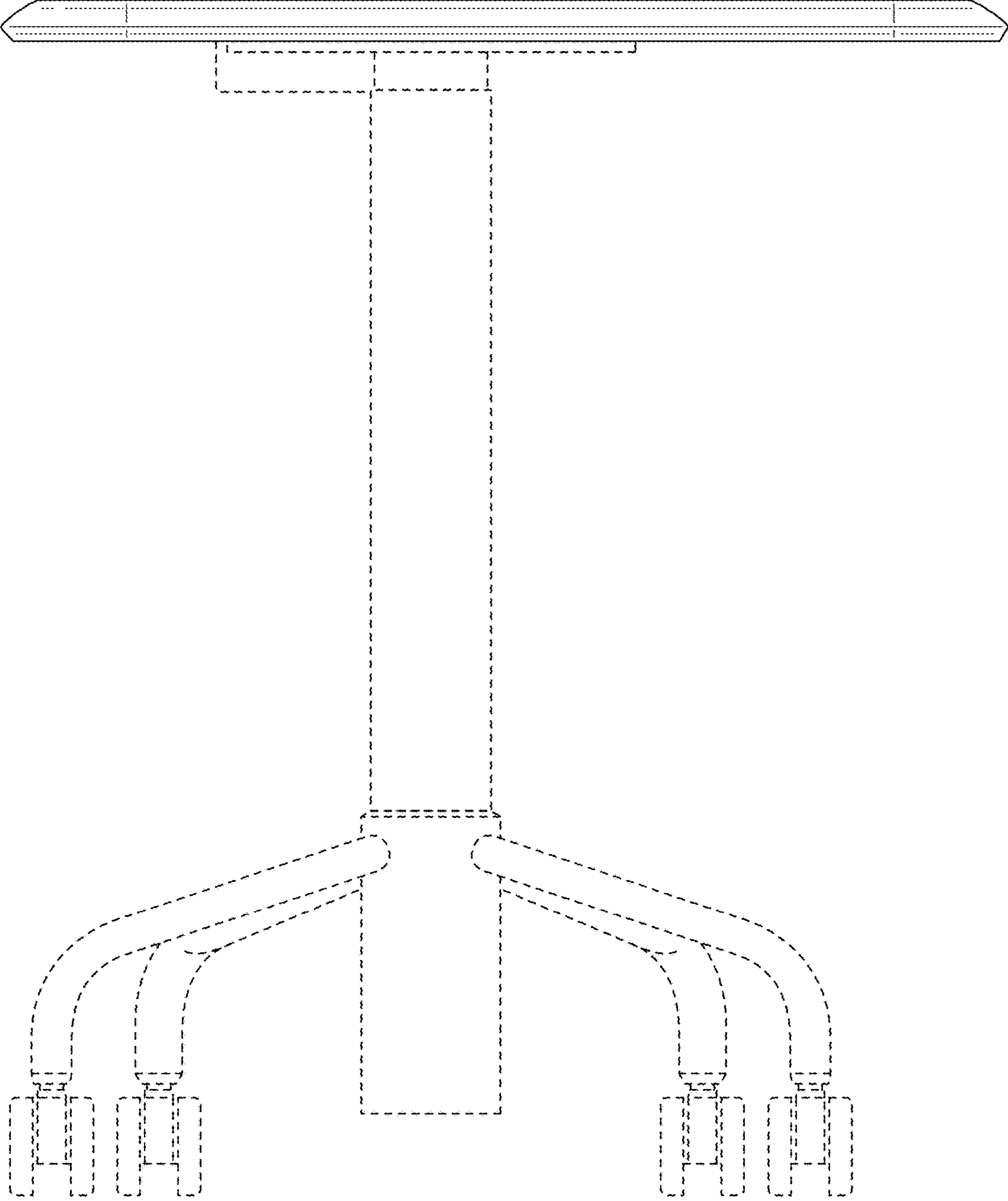


FIG. 3

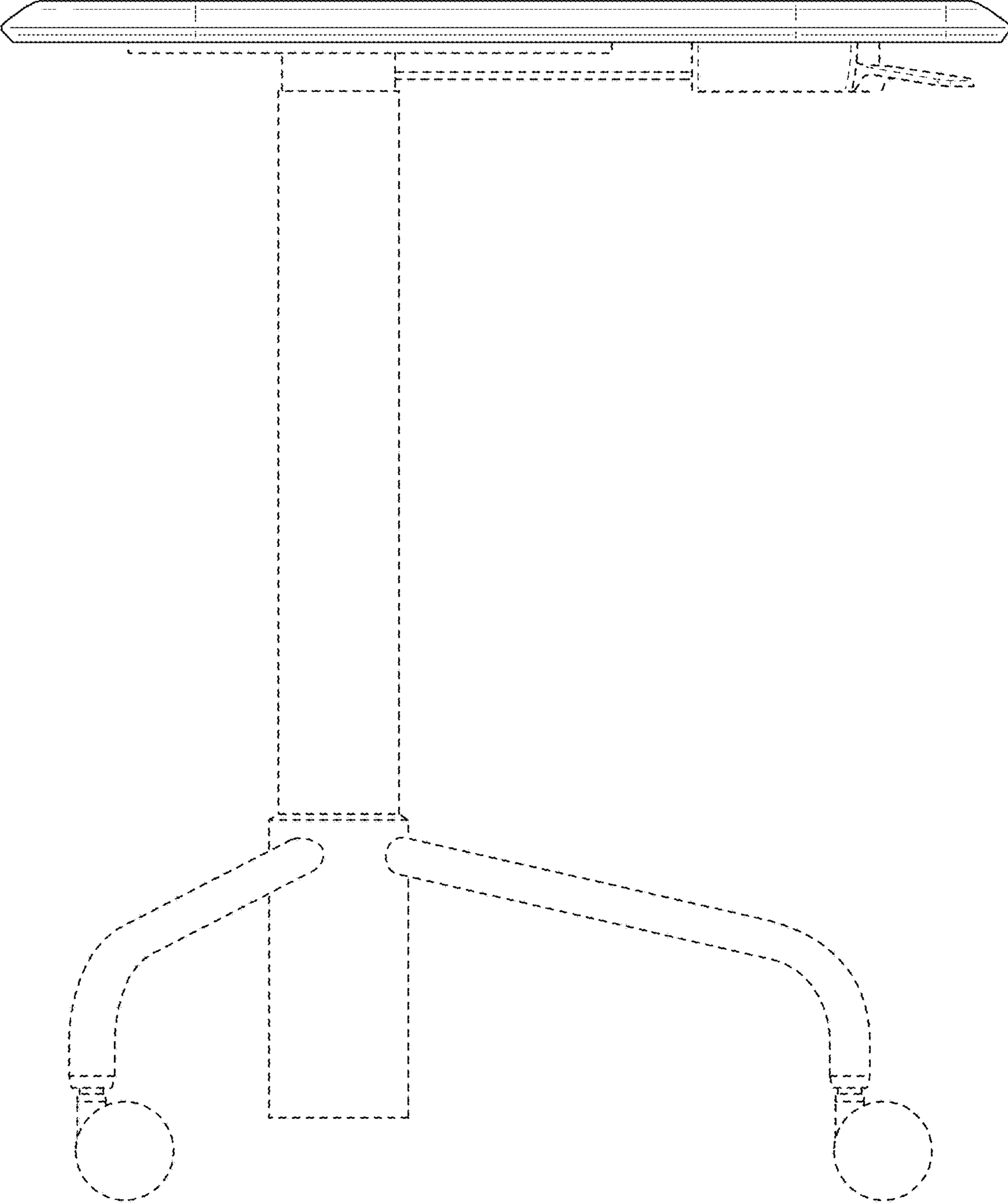


FIG. 4

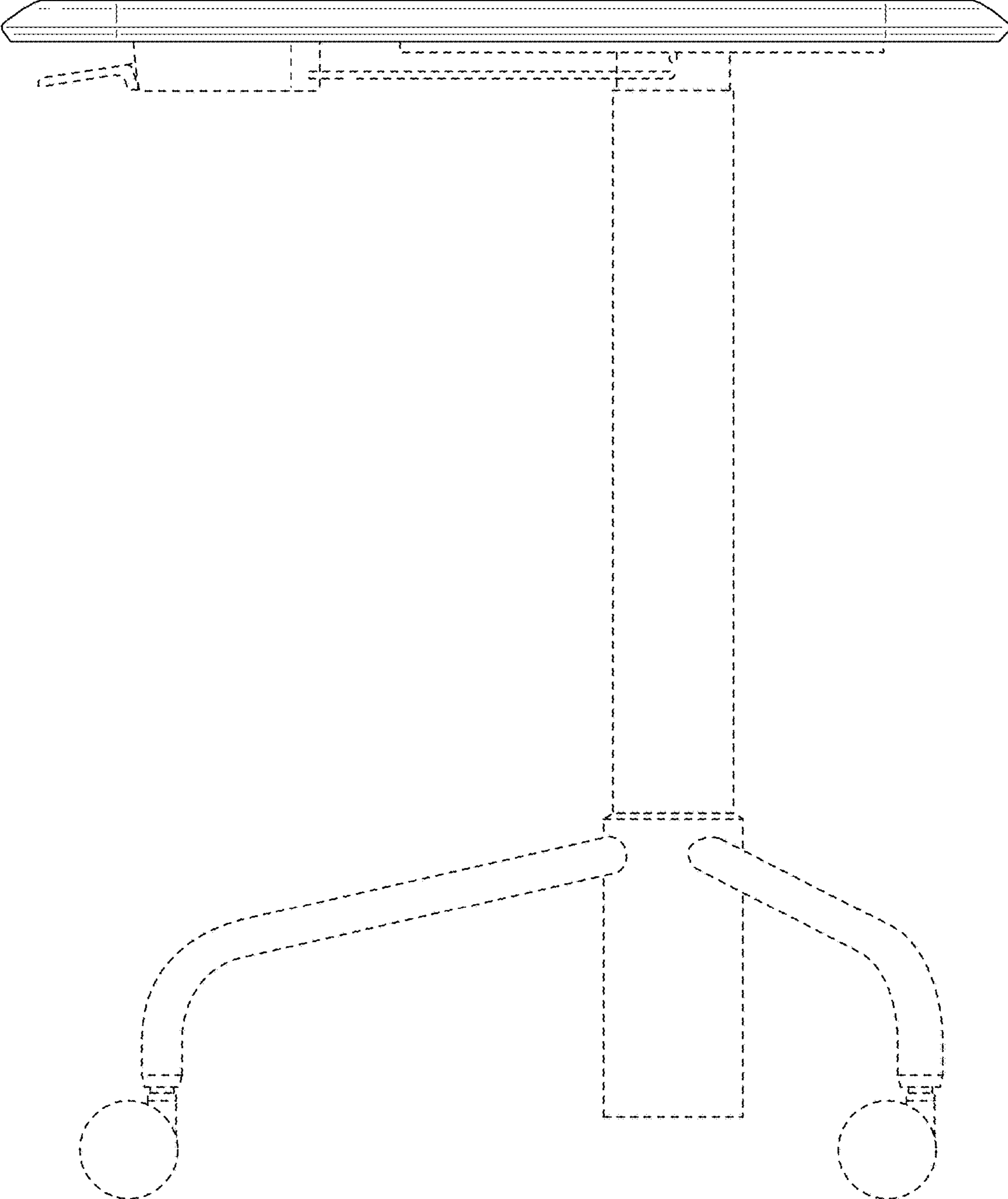


FIG. 5

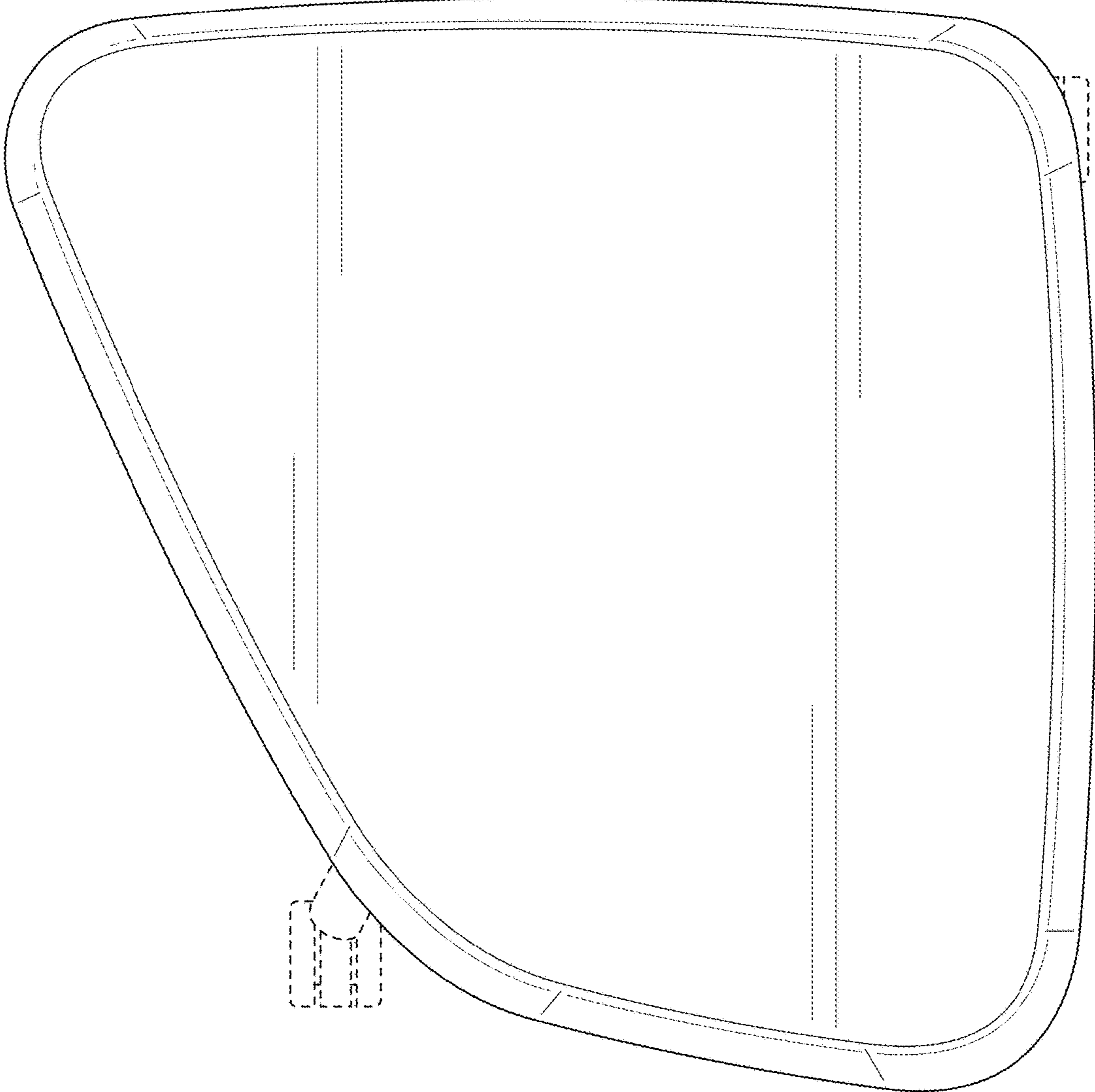


FIG. 6

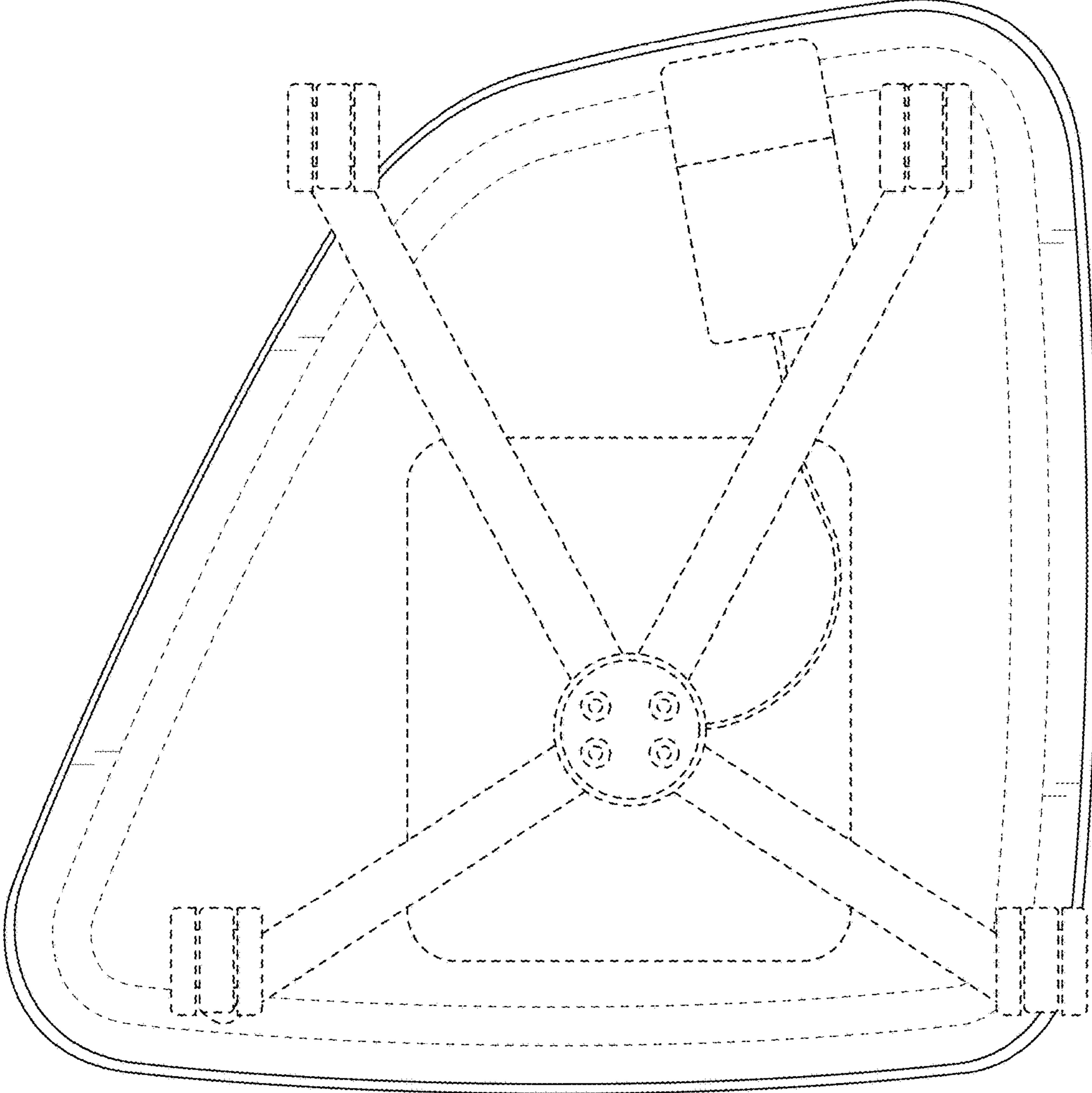


FIG. 7

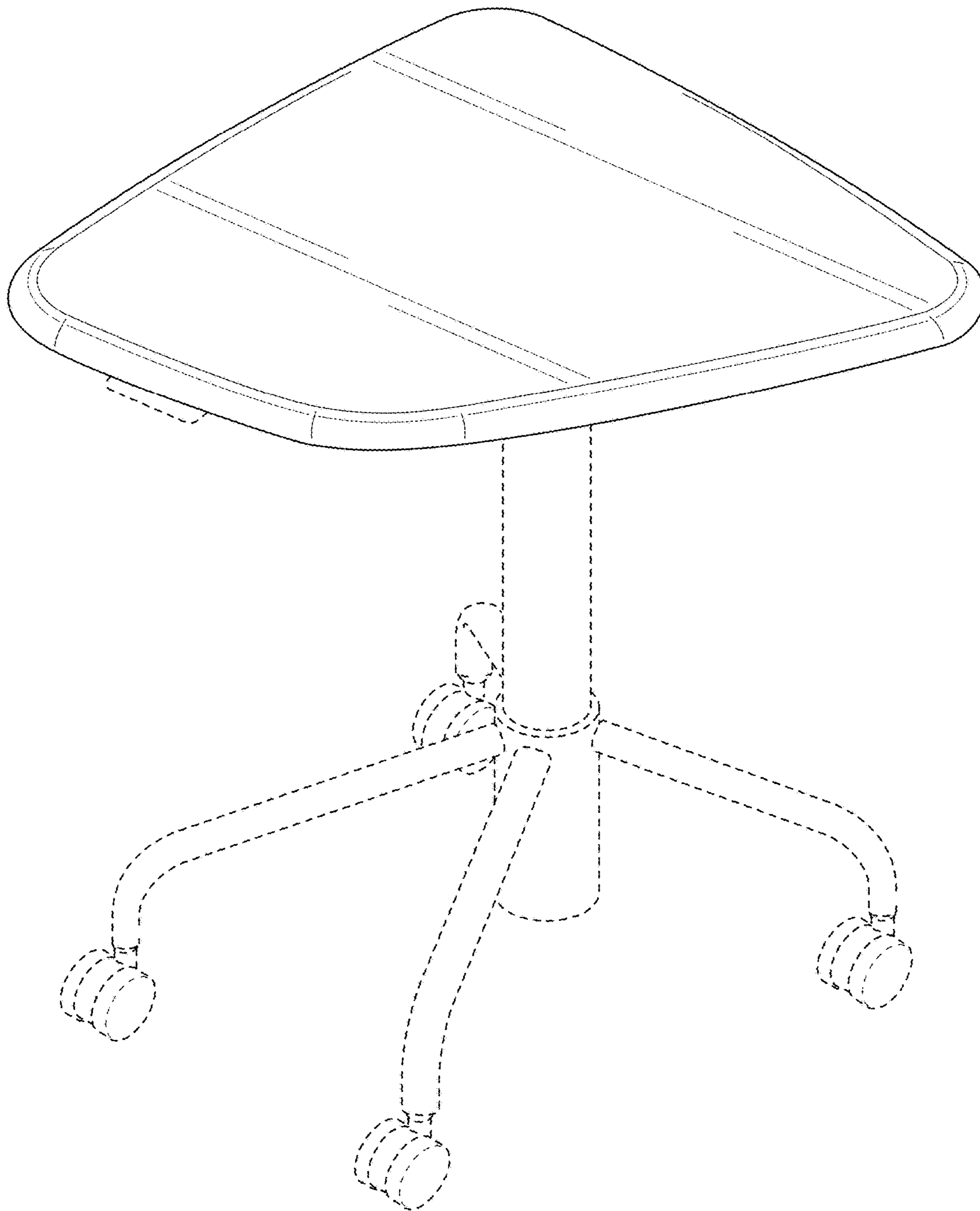


FIG. 8

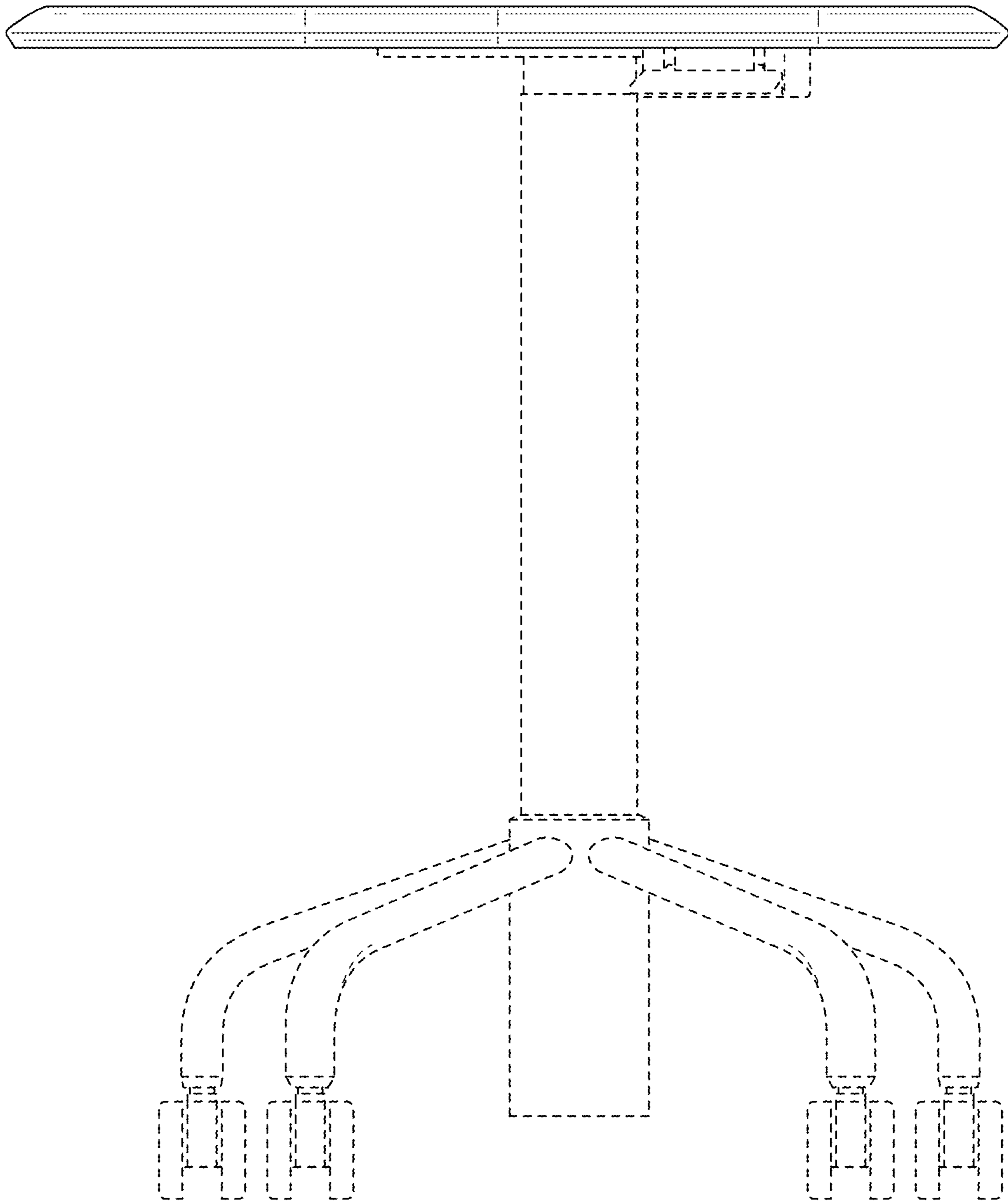


FIG. 9

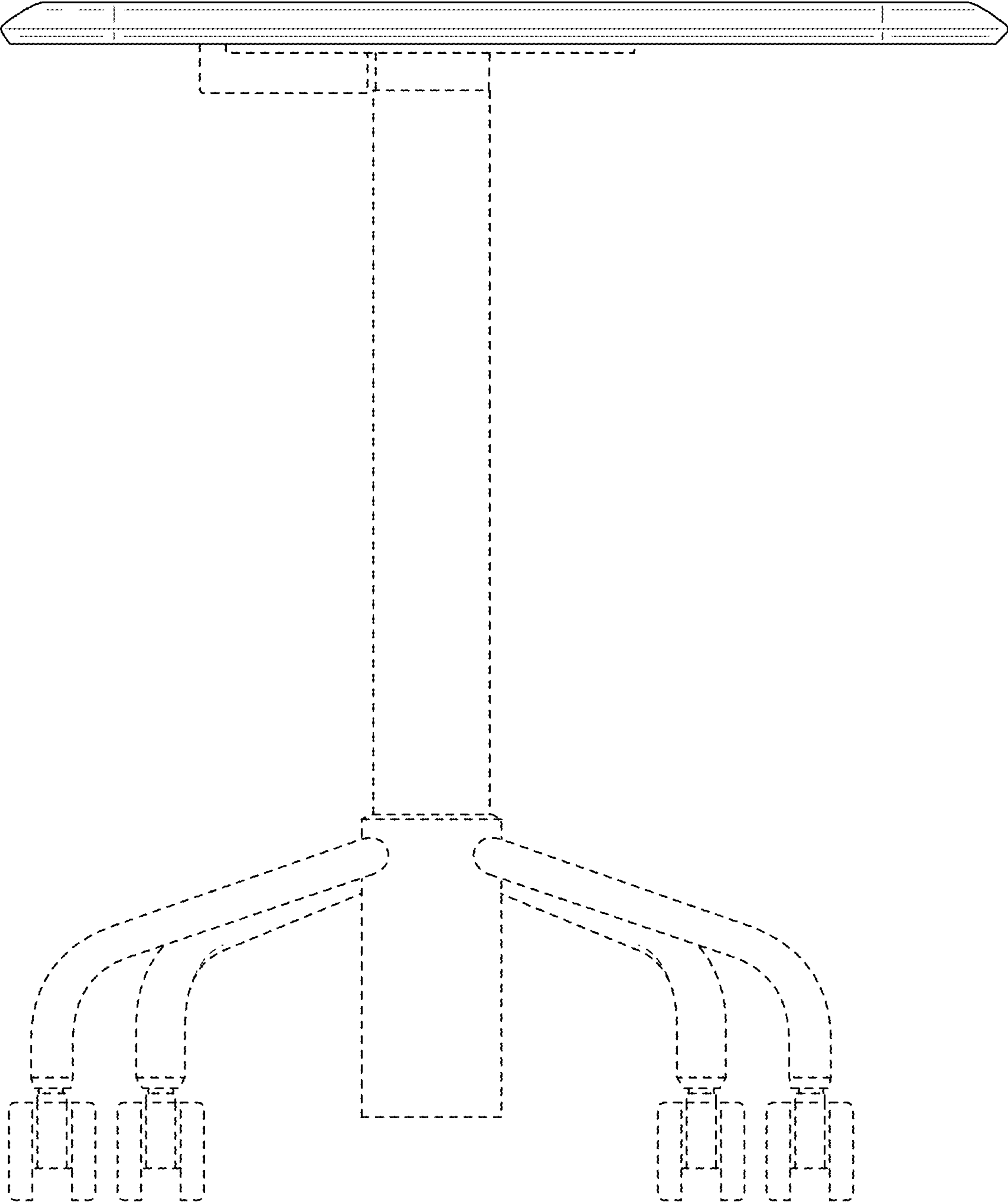


FIG. 10

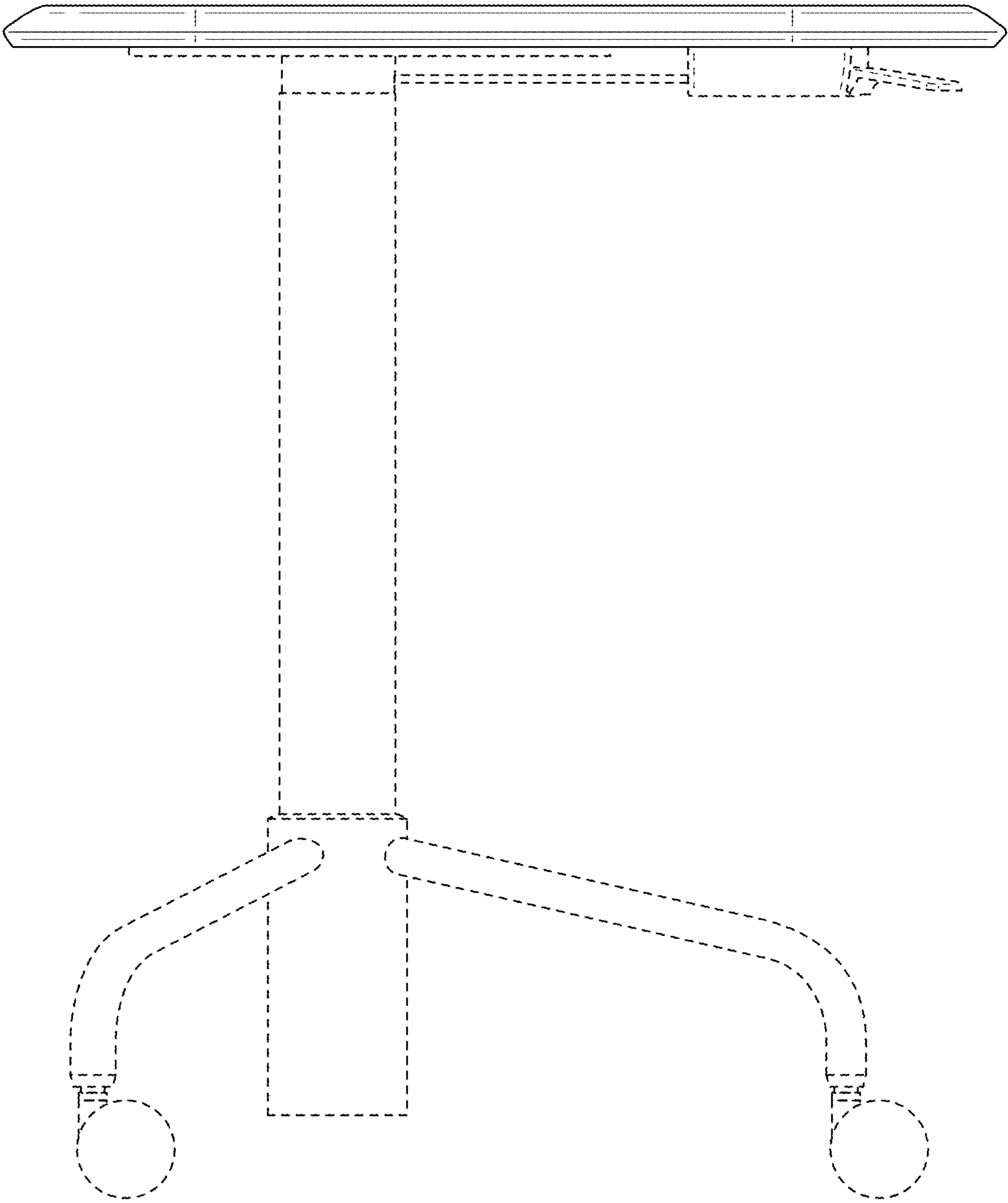


FIG. 11

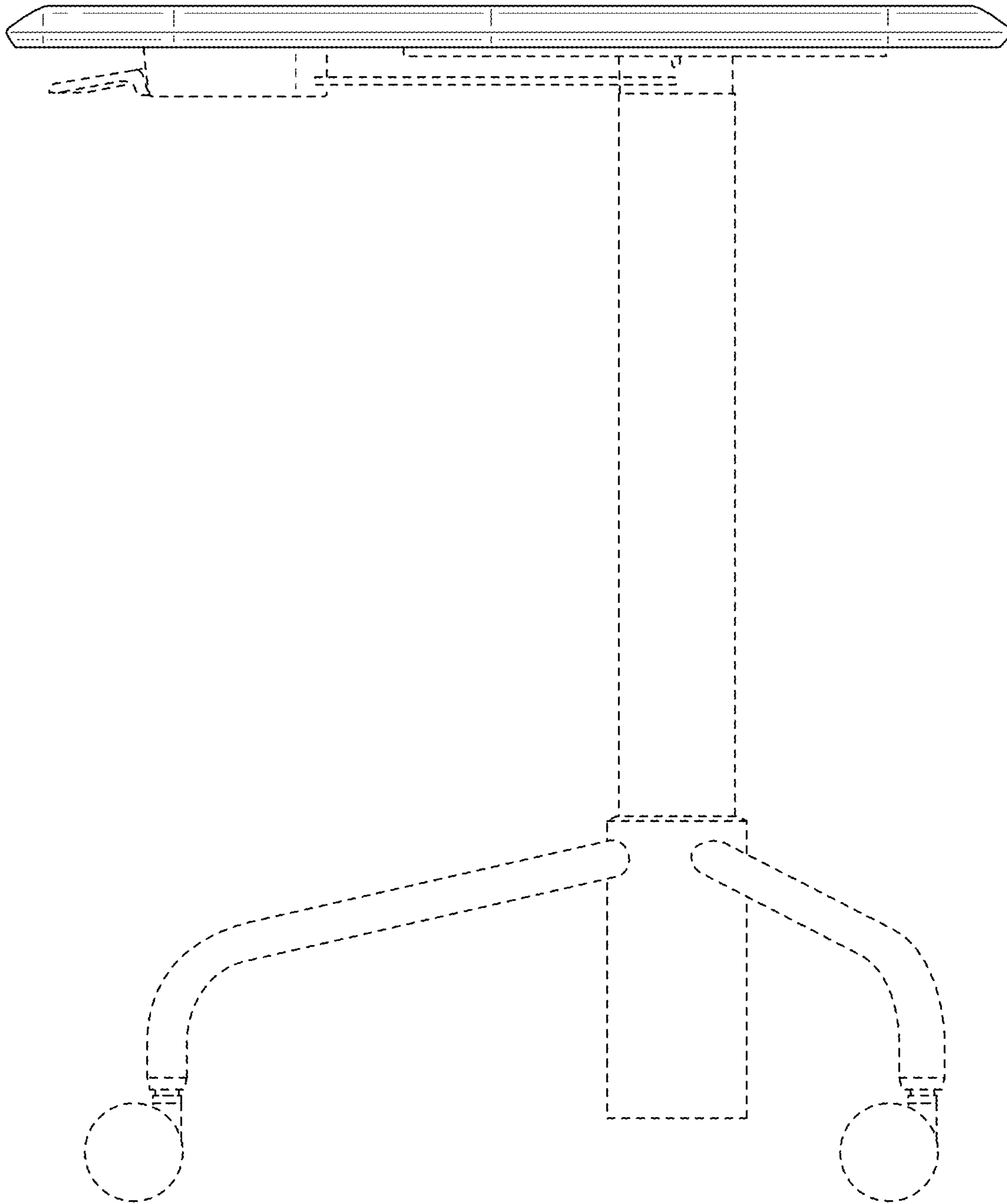


FIG. 12

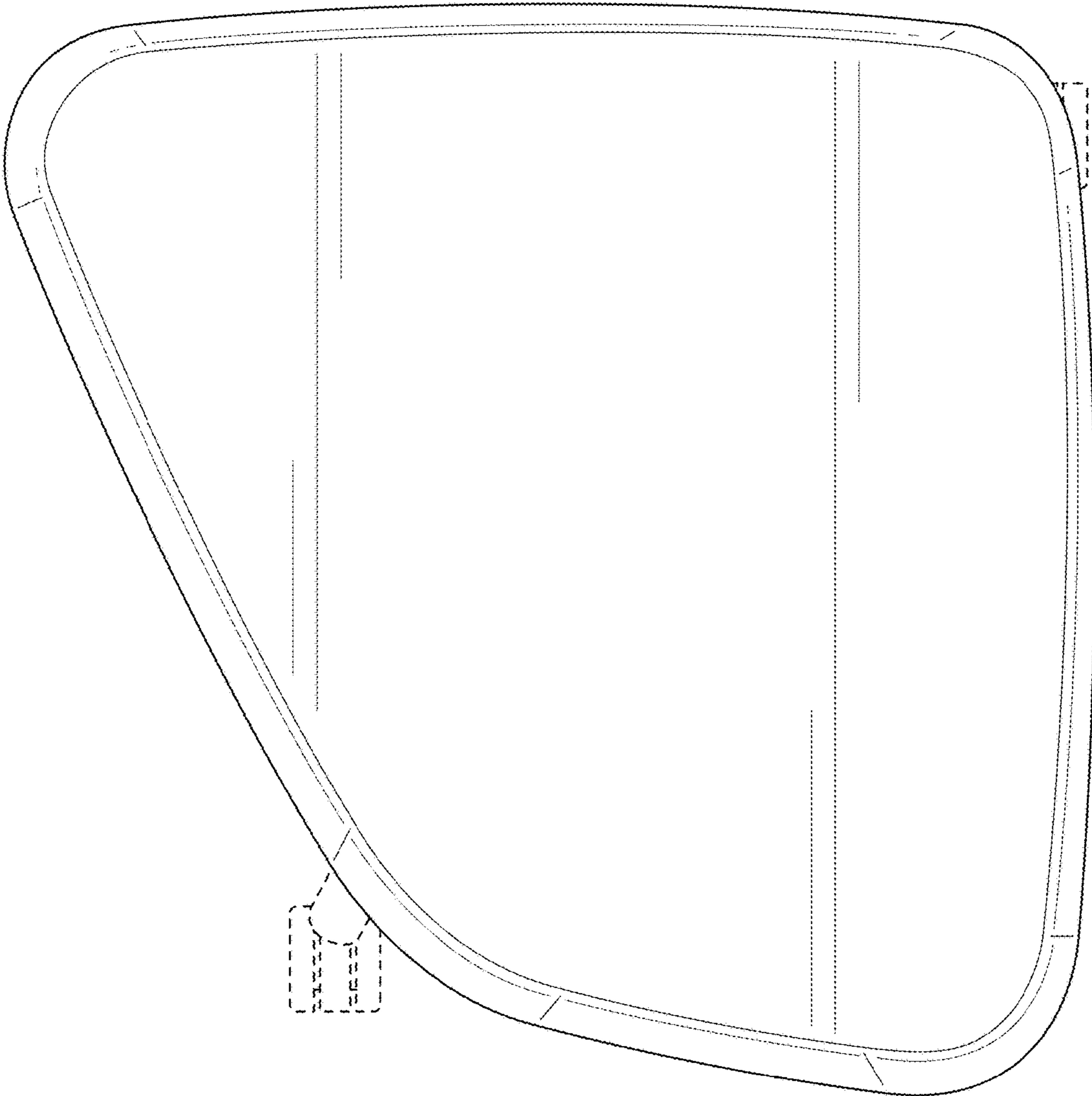


FIG. 13

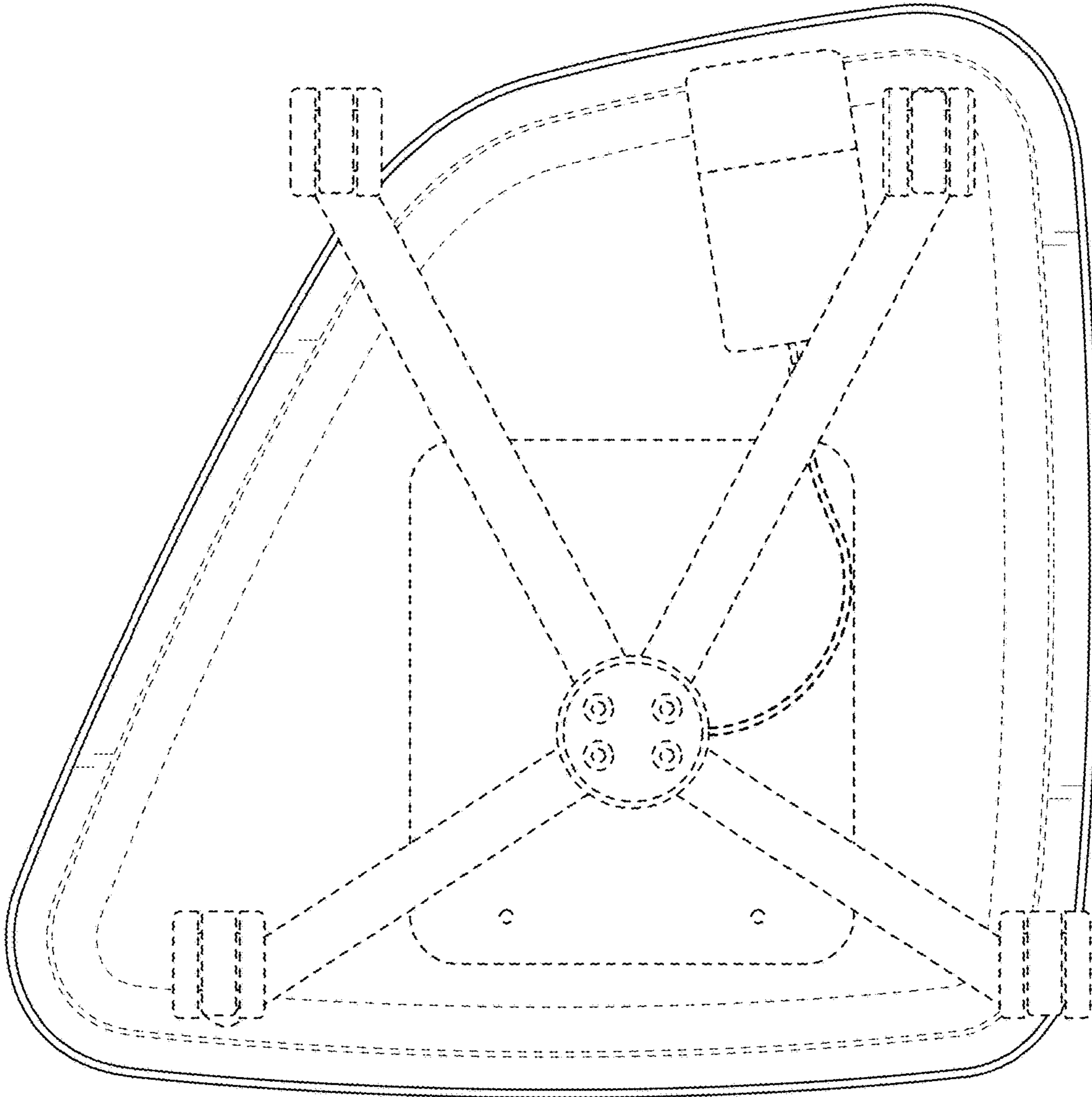


FIG. 14