



US00D830746S

(12) **United States Design Patent** (10) **Patent No.:** **US D830,746 S**
Johnson et al. (45) **Date of Patent:** **** Oct. 16, 2018**

(54) **DISPLAY UNIT**
(71) Applicant: **Target Brands, Inc.**, Minneapolis, MN (US)
(72) Inventors: **Jason W. Johnson**, Wayzata, MN (US); **Jennifer A. Theisen**, Crystal, MN (US); **Travis M. Poirier**, Fridley, MN (US)
(73) Assignee: **Target Brands, Inc.**, Minneapolis, MN (US)
(**) Term: **15 Years**

D561,539 S *	2/2008	Snider	D7/600.2
D577,962 S *	10/2008	Bauer	D7/552.2
D601,365 S *	10/2009	LaValley	D6/677.1
D603,187 S *	11/2009	Conway	D6/677.1
D605,353 S *	12/2009	Lee	D28/73
D642,405 S *	8/2011	Frohne	D6/677.1
D656,758 S *	4/2012	Snider	D6/677.2
D774,597 S *	12/2016	Lowery	D21/336
D793,129 S *	8/2017	Bertault	D6/677.1
D793,130 S *	8/2017	Ellison	D6/677.1
D811,135 S *	2/2018	Malik	D6/677.2
D818,291 S *	5/2018	Aguilera	D6/676.2
D818,746 S *	5/2018	Carder	D6/677.1
2014/0339185 A1 *	11/2014	Ellison	A47F 5/04 211/119.003

(21) Appl. No.: **29/628,318**
(22) Filed: **Dec. 4, 2017**
(51) **LOC (11) Cl.** **06-06**
(52) **U.S. Cl.**
USPC **D6/677.1**
(58) **Field of Classification Search**
USPC D6/672-673, 677, 677.1, 702, 705;
D7/601-602
CPC A47J 47/16; A47G 19/02; A47G 23/06;
A47F 5/0018; A47F 5/0043; A47F 5/04
See application file for complete search history.

* cited by examiner

Primary Examiner — Kelley A Donnelly
(74) *Attorney, Agent, or Firm* — Leanne Taveggia Farrell; Westman, Champlin & Koehler, P.A.

(57) **CLAIM**

The ornamental design for a display unit, as shown and described.

DESCRIPTION

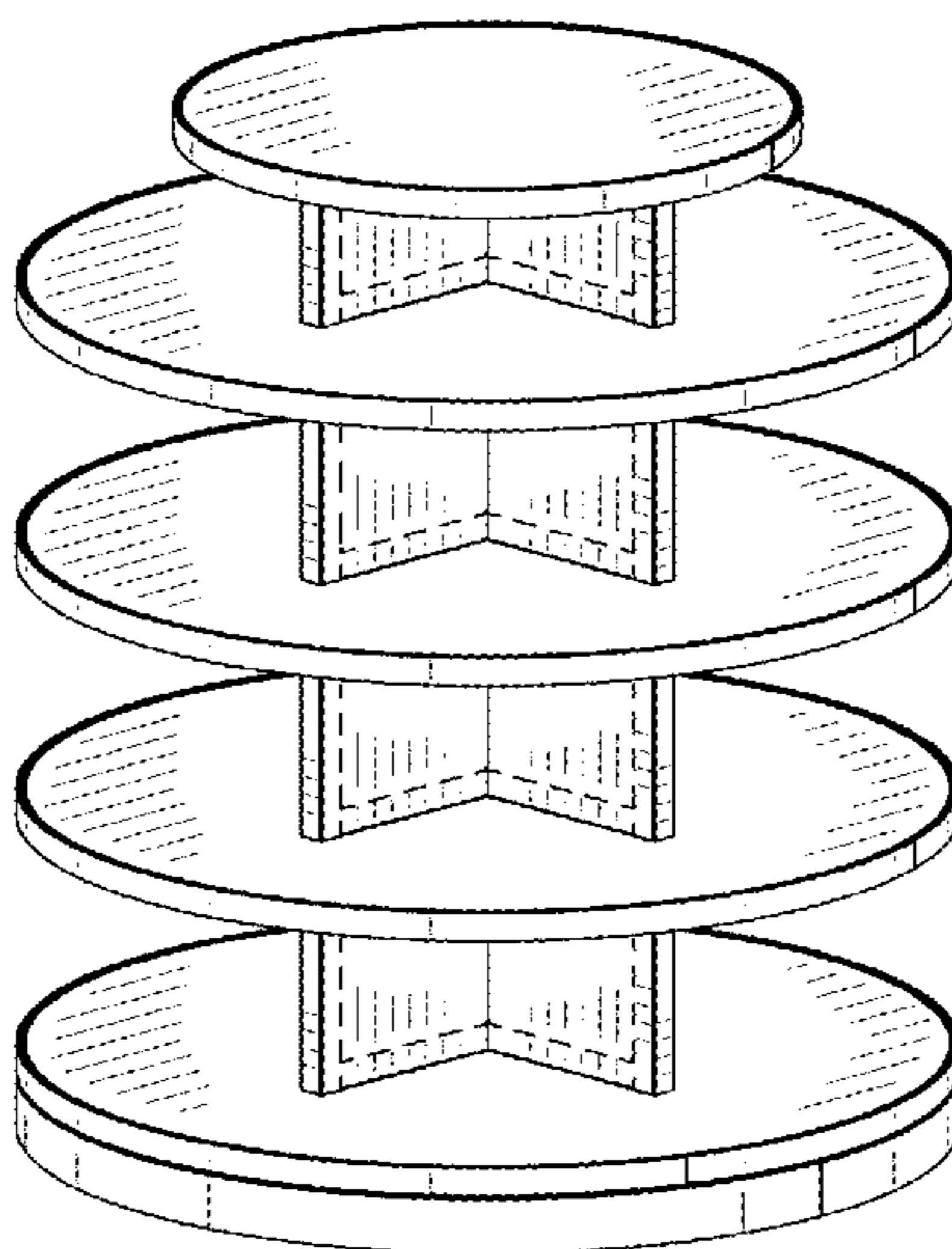
FIG. 1 is a top perspective view of a first embodiment of a display unit showing our new design;
FIG. 2 is a side view thereof, the opposing side, the front and the back being identical;
FIG. 3 is a top view thereof;
FIG. 4 is a top perspective view of a second embodiment thereof;
FIG. 5 is a side view of FIG. 4, the opposing side, the front and the back being identical; and,
FIG. 6 is a top view of FIG. 4.
The broken lines shown in the drawings are included for purposes of illustrating portions of the display unit and form no part of the claimed design.

(56) **References Cited**

U.S. PATENT DOCUMENTS

D149,046 S *	3/1948	Blumenthal et al.	D7/501
3,951,079 A *	4/1976	Tolleson	A47F 5/02 108/94
D241,192 S *	8/1976	Salcer	D6/688
D275,154 S *	8/1984	Stoiber	D6/677.1
D354,862 S *	1/1995	Goldberg	D6/677.1
D407,920 S *	4/1999	Duffield	D6/677.1
6,296,335 B1 *	10/2001	Compagnucci	A47B 49/004 108/23
D451,703 S *	12/2001	All	D6/677.1
D480,581 S *	10/2003	Sewer	D6/677.1
D549,985 S *	9/2007	Carroll	D6/405

1 Claim, 4 Drawing Sheets



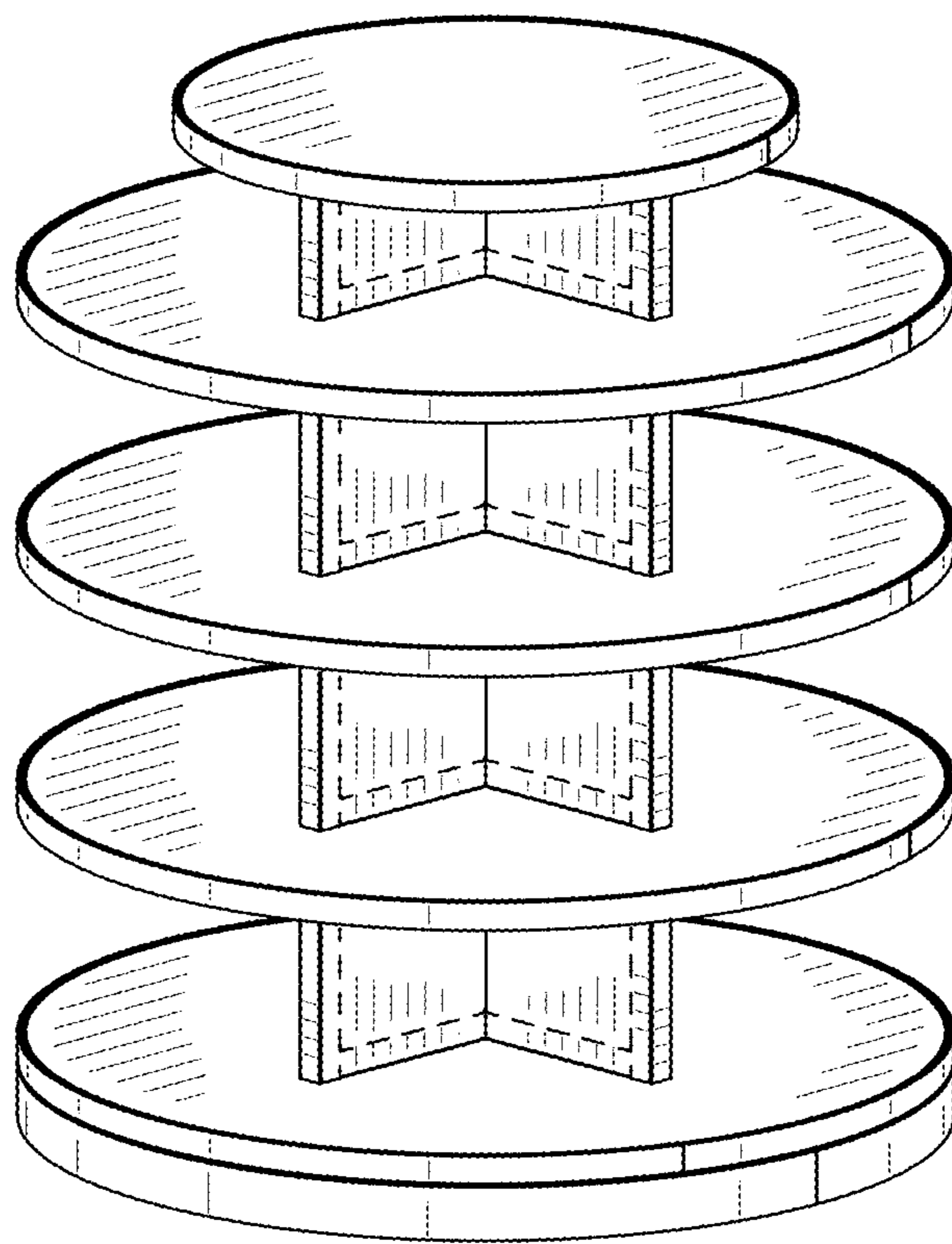


Fig. 1

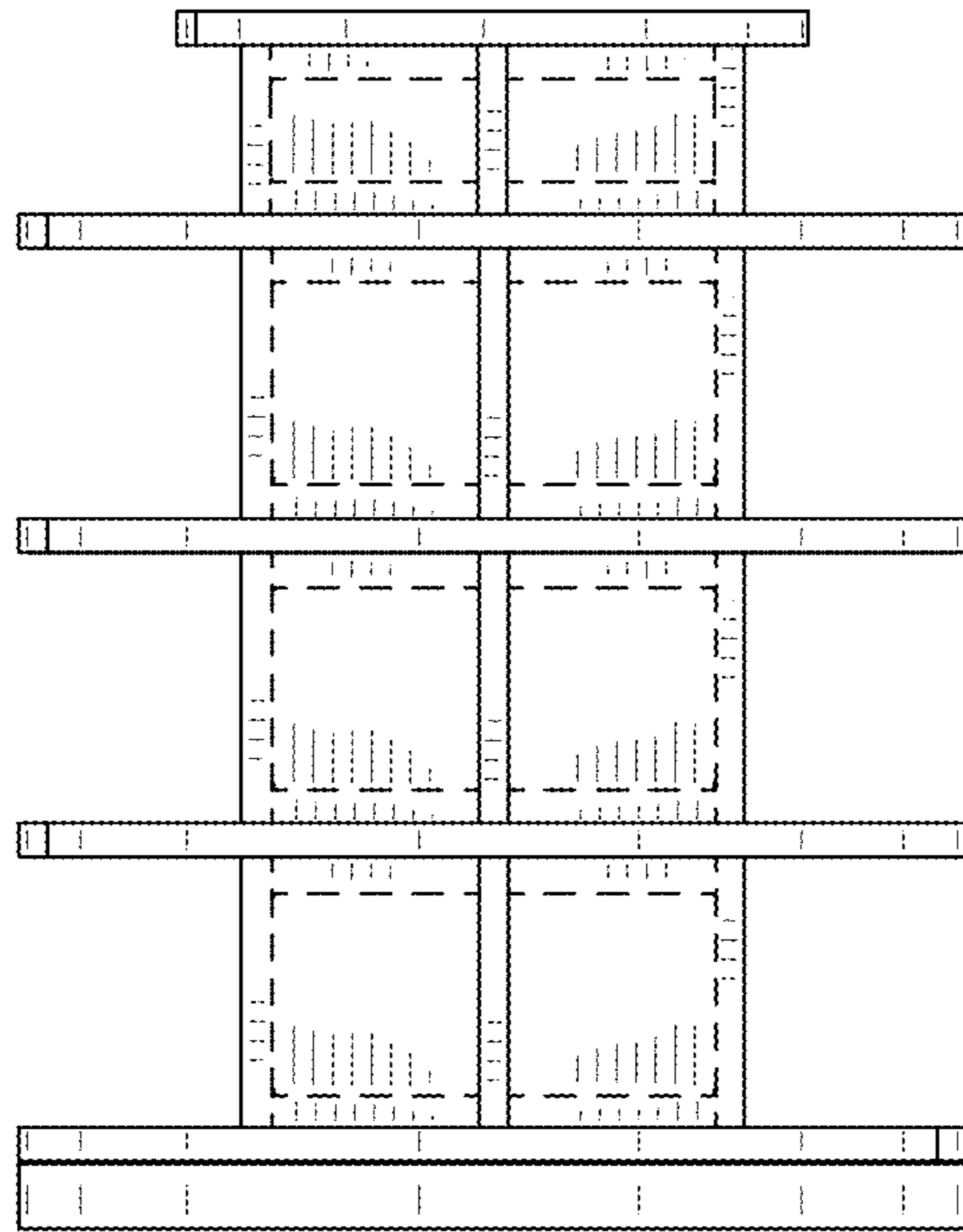


Fig. 2

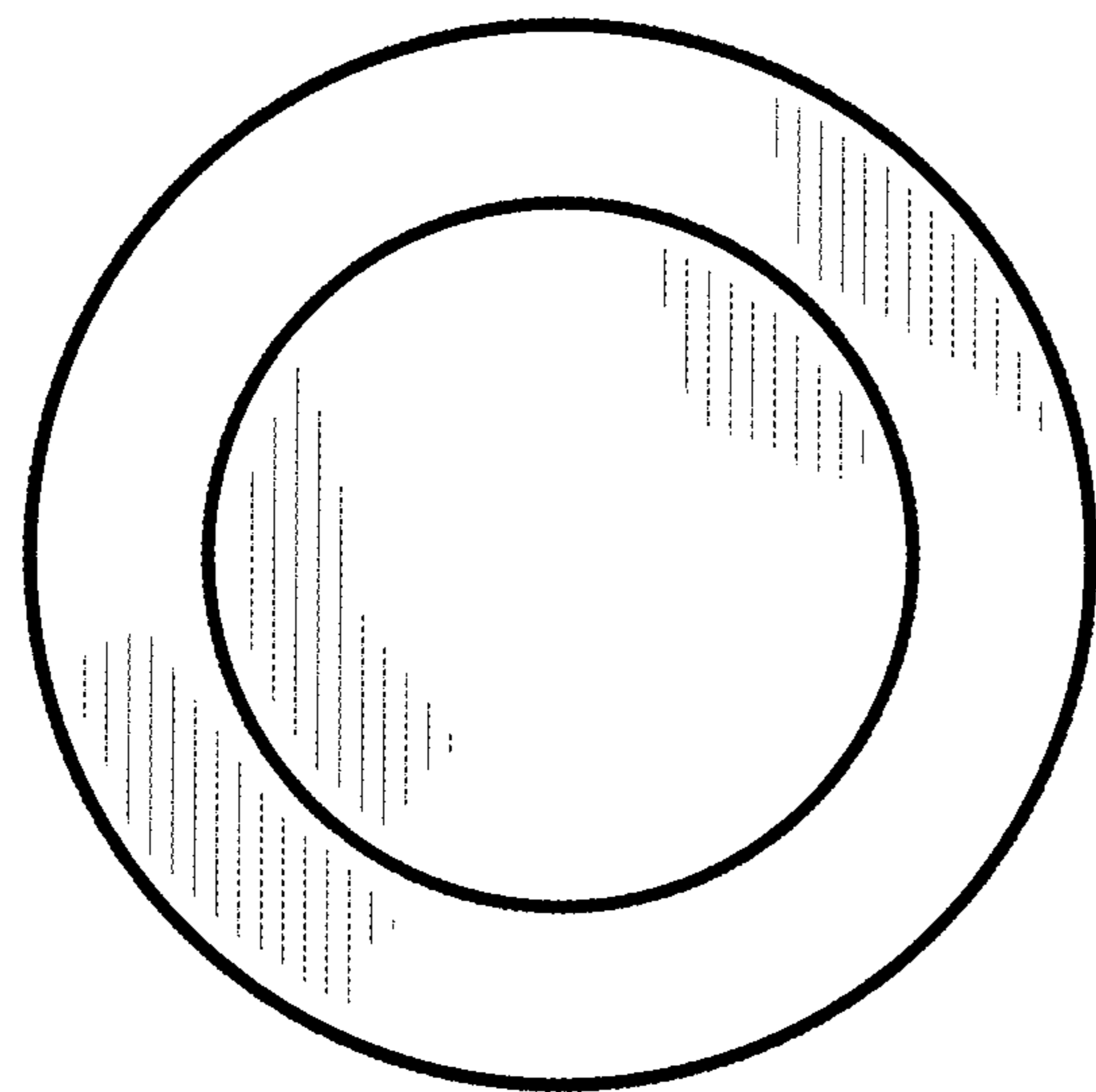


Fig. 3

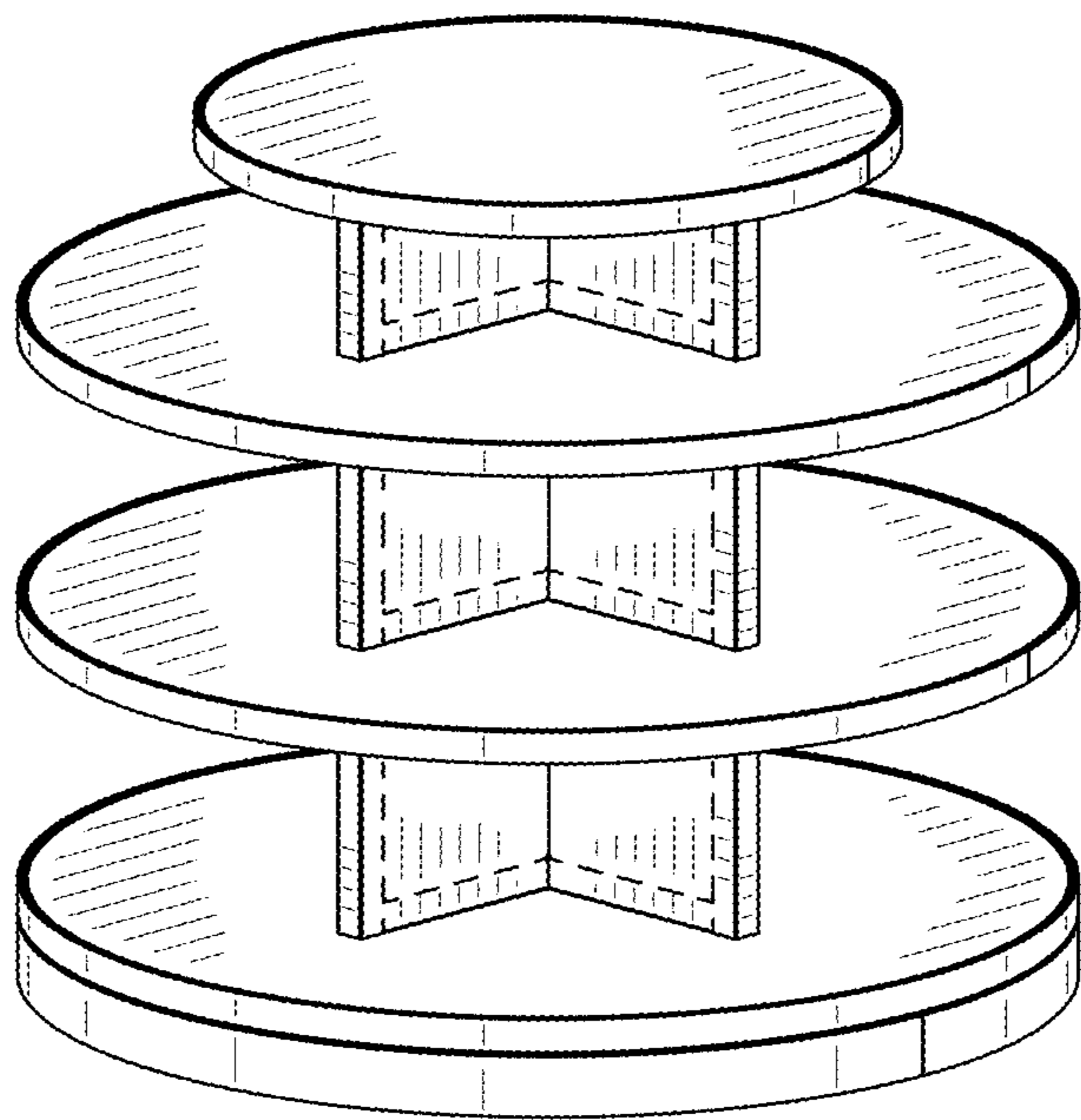


Fig. 4

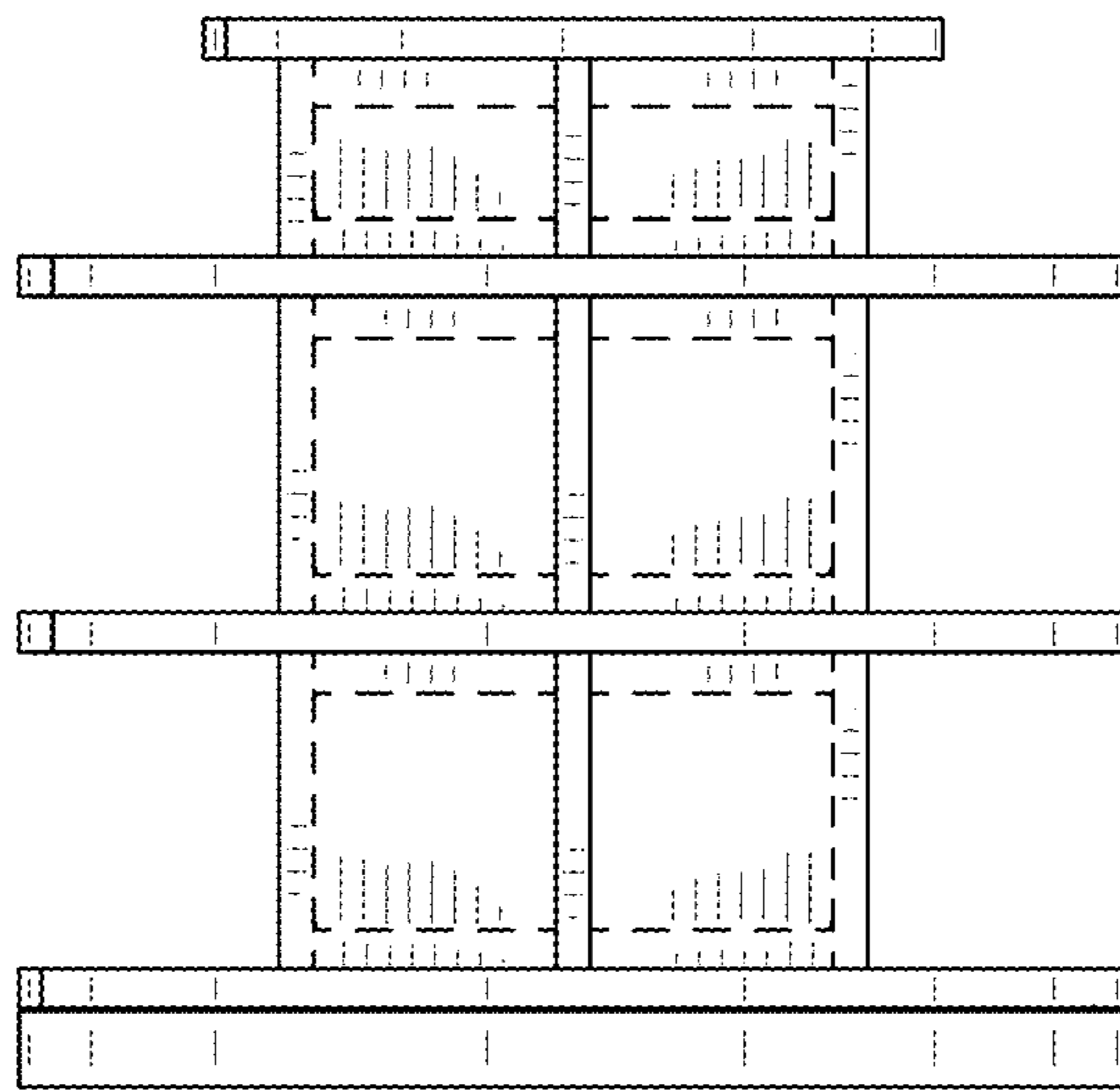


Fig. 5

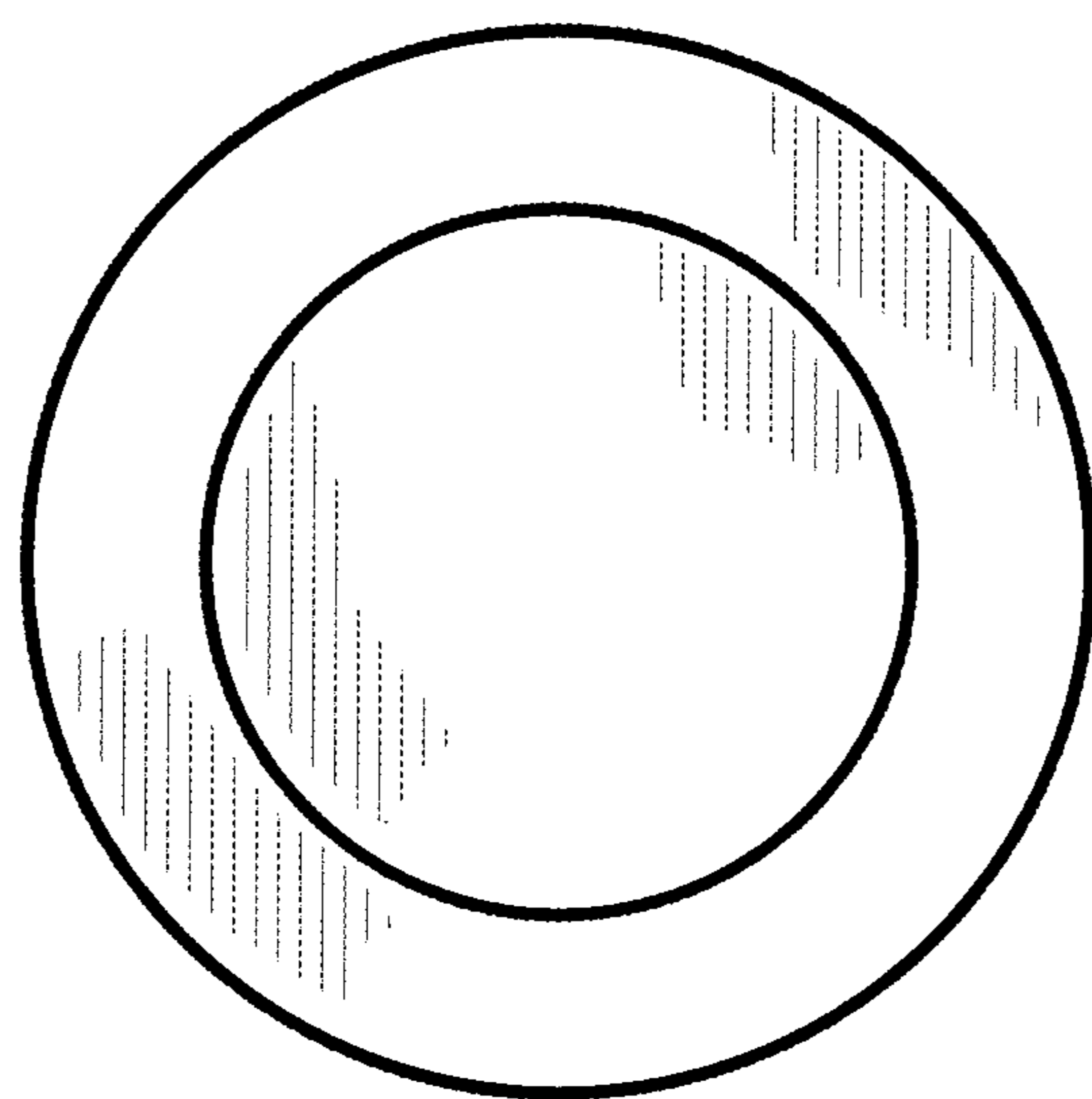


Fig. 6