



US00D830743S

(12) **United States Design Patent** (10) **Patent No.:** **US D830,743 S**  
**Demircift et al.** (45) **Date of Patent:** **\*\* Oct. 16, 2018**

(54) **DISPLAY FRAME**

FOREIGN PATENT DOCUMENTS

(71) Applicant: **Tynies, Inc.**, Glendora, CA (US)

WO 2008067835 A1 6/2008

(72) Inventors: **Jay Cecil Demircift**, La Verne, CA (US); **Sean Serkan Demircift**, La Verne, CA (US)

OTHER PUBLICATIONS

International Search Report and Written Opinion PCT/US16/68534 dated Mar. 31, 2017.

(73) Assignee: **TYNIES, INC.**, Glendora, CA (US)

(Continued)

(\*\*) Term: **15 Years**

*Primary Examiner* — John Windmuller

*Assistant Examiner* — Steven J Czyz

(21) Appl. No.: **29/618,733**

(74) *Attorney, Agent, or Firm* — Entralta P.C.; Justin G. Sanders; Peter D. Weinstein

(22) Filed: **Sep. 22, 2017**

(57) **CLAIM**

(51) **LOC (11) Cl.** ..... **06-04**

The ornamental design for a display frame, as shown and described.

(52) **U.S. Cl.**

USPC ..... **D6/672**

**DESCRIPTION**

(58) **Field of Classification Search**

USPC ..... D6/672, 675, 675.2, 681, 681.1, 681.2, D6/681.3, 682.5

CPC ..... A47F 3/00; A47F 3/06; A47F 3/08; A47F 5/00; A47F 5/0006; A47F 5/0018; A47F 5/0031; A47F 5/01; A47F 5/13; A47F 7/0014; A47F 7/0042; A47F 7/16; A47B 61/00

See application file for complete search history.

FIG. 1 is a perspective view of a display frame showing our new design;

FIG. 2 is a rear view thereof;

FIG. 3 is a front view thereof;

FIG. 4 is a right side view thereof;

FIG. 5 is a left side view thereof;

FIG. 6 is a top view thereof;

FIG. 7 is a bottom view thereof;

FIG. 8 is an exploded view thereof, with a frame portion selectively disengaged from a base portion of our display frame;

FIG. 9 is a bottom perspective view of the frame portion;

FIG. 10 is a further perspective view showing our display frame removably engaged with further units of our display frame; and,

FIG. 11 is a further perspective view showing our display frame removably engaged with a further frame portion.

The broken lines shown are included only for the purpose of illustrating unclaimed portions of the article and environmental subject matter, and form no part of the claimed design.

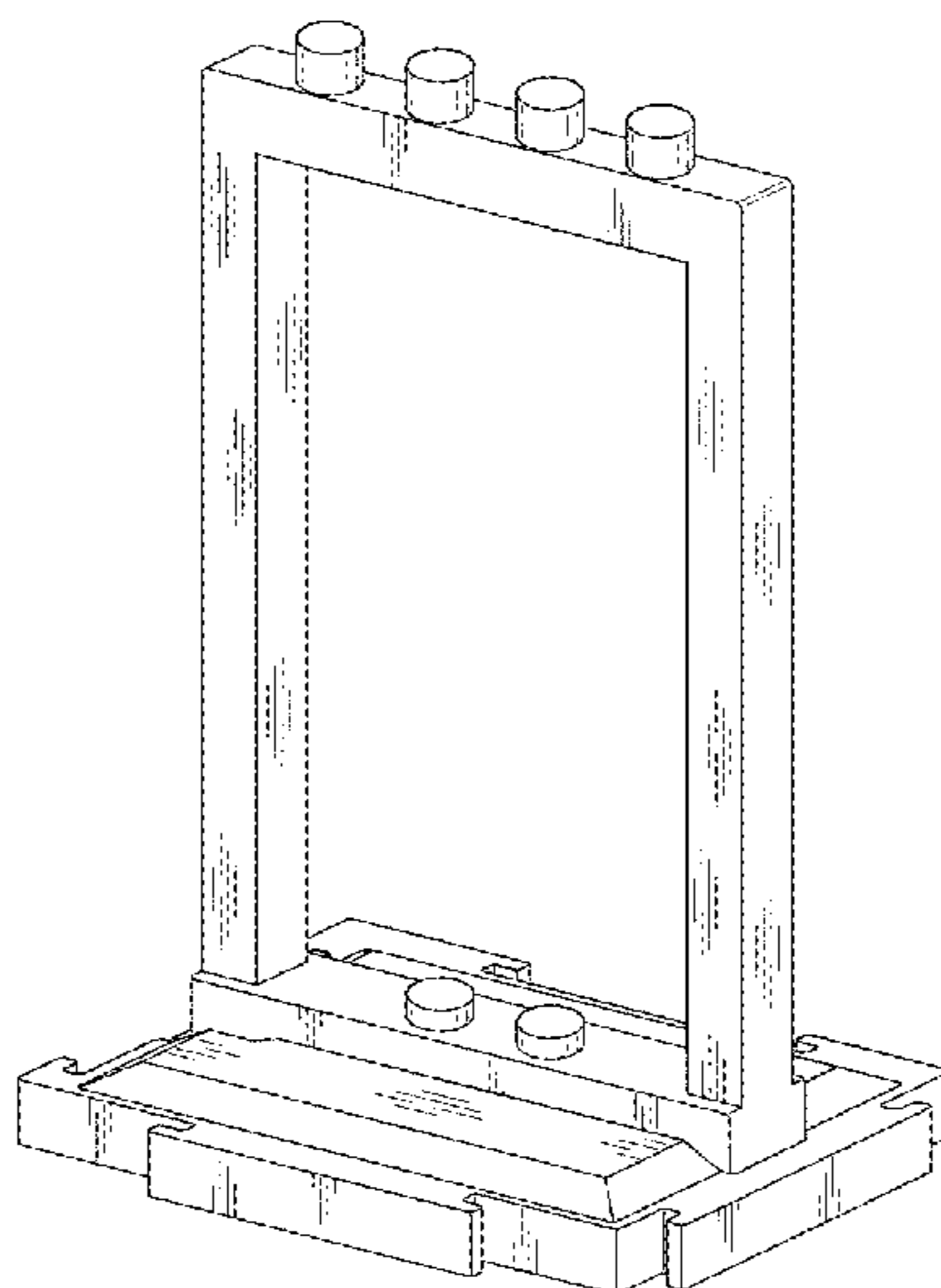
(56) **References Cited**

U.S. PATENT DOCUMENTS

D76,747 S *	10/1928	Hails-Karlebach	.....	D6/672
D110,305 S *	6/1938	Schein et al.	.....	D6/675
D174,407 S *	4/1955	Anderle et al.	.....	D6/672
2,774,159 A	12/1956	Wright		
3,270,878 A	9/1966	Giesler		
3,335,848 A	8/1967	Frankenberg et al.		
D212,266 S *	9/1968	Robinson et al.	.....	D6/682
D245,301 S *	8/1977	Brandenfels	.....	D6/681.1
D259,681 S *	6/1981	Bouwman	.....	D6/675
D267,682 S *	1/1983	Kates	.....	D6/675

(Continued)

**1 Claim, 5 Drawing Sheets**



(56)

References Cited

U.S. PATENT DOCUMENTS

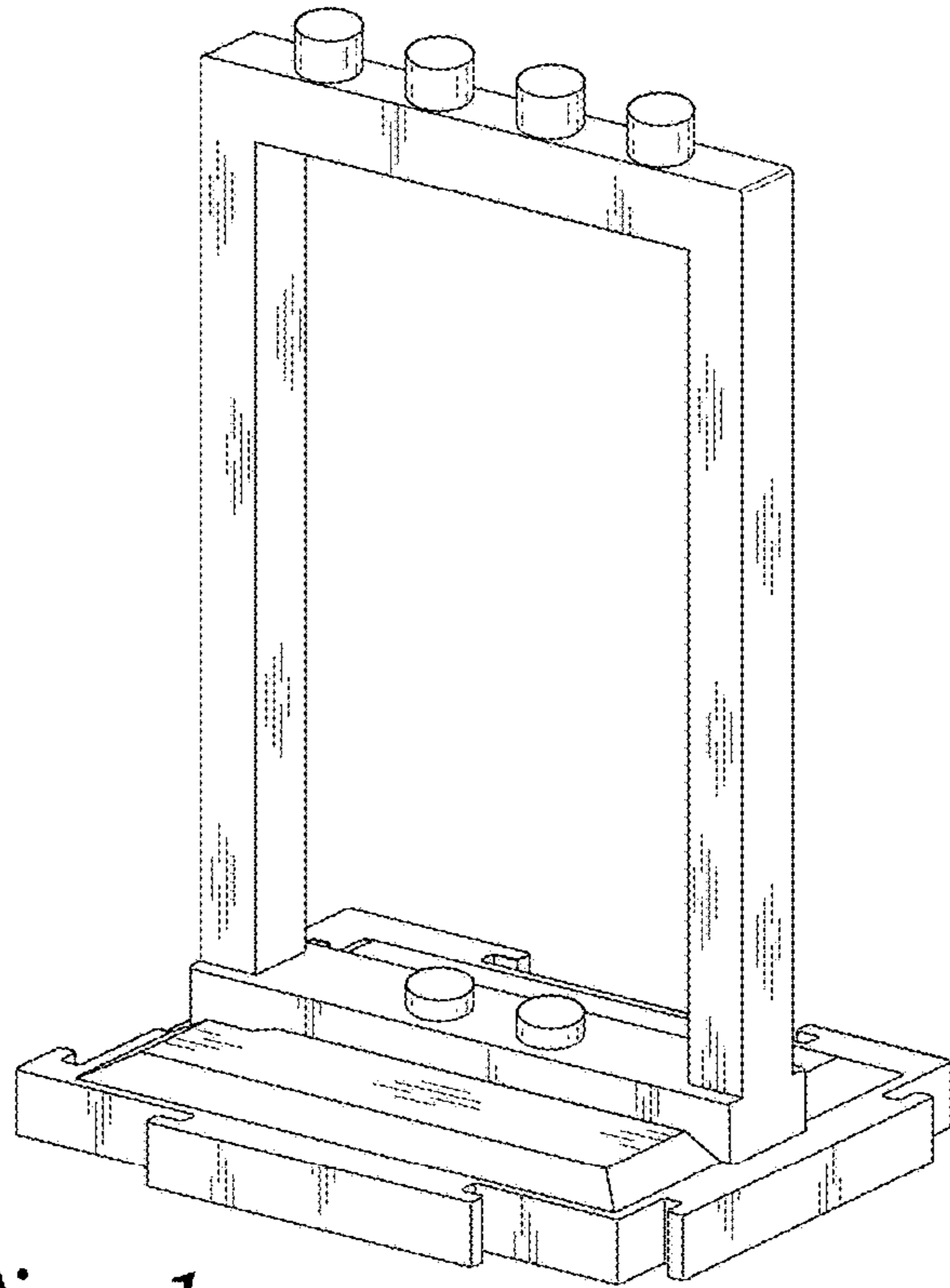
D267,992 S \* 2/1983 Shelton ..... D6/675  
 D272,782 S \* 2/1984 Shelton ..... D6/675  
 D295,806 S \* 5/1988 Wilson ..... D6/681  
 D296,503 S \* 7/1988 Bell ..... D6/675  
 4,852,743 A 8/1989 Ridgeway  
 D305,839 S \* 2/1990 Howard ..... D6/675  
 5,386,911 A 2/1995 Payne  
 D357,826 S \* 5/1995 Fiddament ..... D6/672  
 D359,636 S \* 6/1995 Rosenberg ..... D6/672  
 5,769,235 A 6/1998 Keach et al.  
 5,836,450 A 11/1998 Gonzales  
 5,871,101 A 2/1999 Alden  
 5,979,662 A 11/1999 Green  
 D419,335 S \* 1/2000 Kopala, Jr. .... D6/672  
 D420,836 S \* 2/2000 Bustos ..... D6/680.3  
 6,237,772 B1 5/2001 LaMarche et al.  
 6,367,632 B1 4/2002 Green  
 6,581,777 B2 6/2003 Thibault  
 6,889,856 B2 5/2005 Clark et al.  
 7,097,035 B2 8/2006 Agakanian  
 D572,043 S \* 7/2008 Suzuki ..... D6/682  
 D642,824 S \* 8/2011 Theisen ..... D6/675  
 8,056,721 B2 11/2011 Hession  
 8,096,420 B2 1/2012 Marhsall et al.  
 D660,051 S \* 5/2012 Lin ..... D6/329  
 8,181,377 B2 5/2012 Lofgren et al.  
 8,186,133 B2 5/2012 Bacon  
 8,191,295 B2 6/2012 Junkins et al.  
 D687,243 S \* 8/2013 Kikkert ..... D6/674

8,561,797 B2 10/2013 Paschke et al.  
 8,714,357 B2 5/2014 Ridgeway  
 8,727,123 B1 5/2014 Roberts  
 8,783,459 B1 7/2014 Marcinkowski  
 D745,794 S \* 12/2015 Knoll ..... D6/681  
 D785,381 S \* 5/2017 Johnson ..... D6/681  
 9,737,808 B2 \* 8/2017 Andre ..... A63F 13/45  
 2005/0051678 A1 \* 3/2005 Modesto ..... A47F 5/0884  
 248/121  
 2006/0189247 A1 \* 8/2006 Matheus ..... A47F 3/004  
 446/75  
 2007/0295639 A1 12/2007 Green et al.  
 2008/0029419 A1 2/2008 Applebaum  
 2010/0326019 A1 \* 12/2010 Lofgren ..... A47G 1/12  
 53/469  
 2011/0315567 A1 12/2011 Boynton et al.  
 2015/0022066 A1 \* 1/2015 Dimitrakos ..... A47F 7/03  
 312/140  
 2015/0080125 A1 \* 3/2015 Andre ..... A63H 33/042  
 463/31  
 2015/0294604 A1 \* 10/2015 Kahng ..... A47G 1/12  
 248/309.1

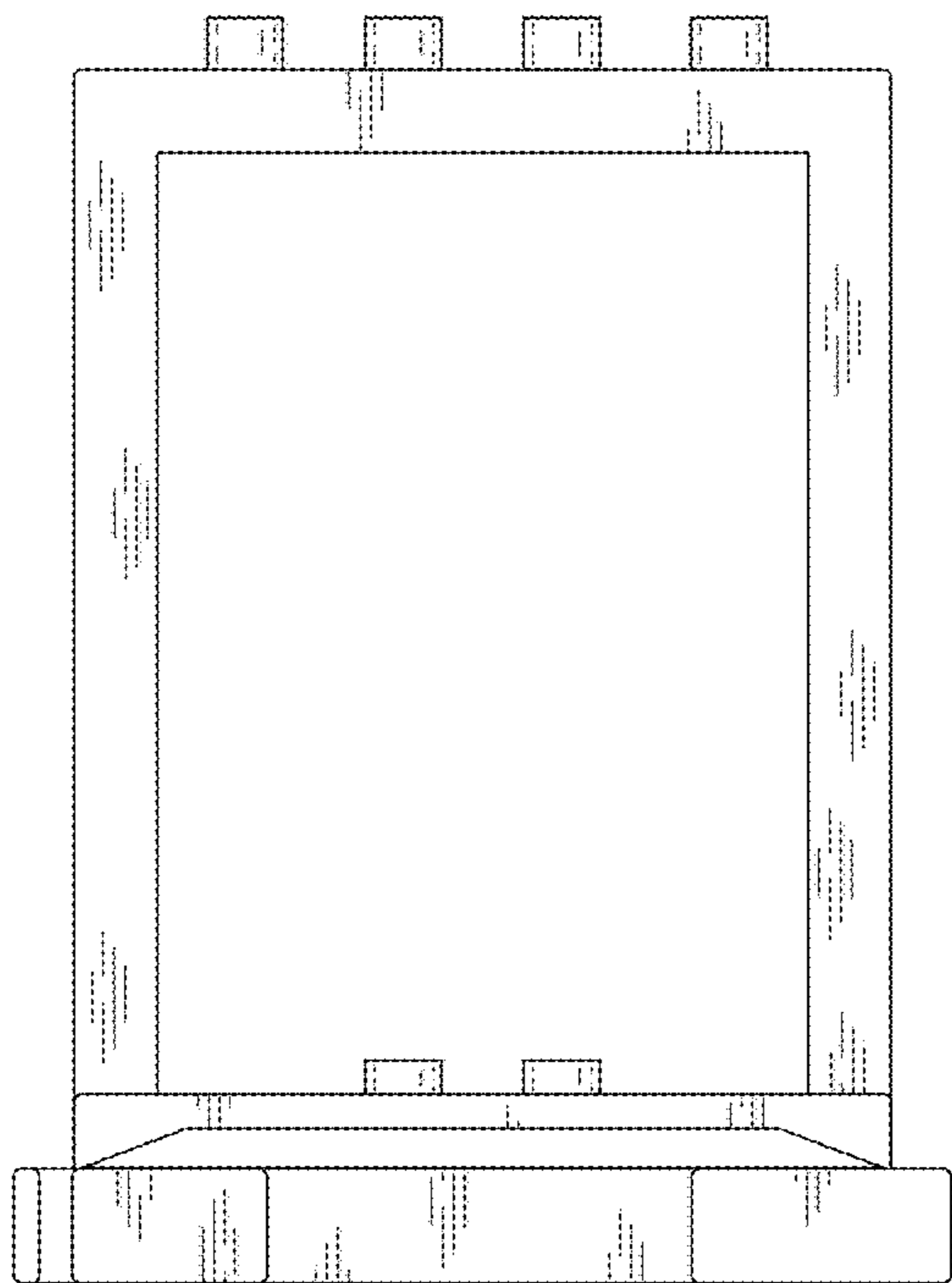
OTHER PUBLICATIONS

Landis' Labyrinth Toy Shop a Tiny Post About Tynies! Mar. 9, 2015  
<http://landislabyrinth.blogspot.com/2015/03/a-tiny-post-about-tynies.html>.  
 TOYDIRECTORY Tynies Glass Figurines Mar. 17, 2014 <https://youtu.be/qCNyEaV2hEA>.

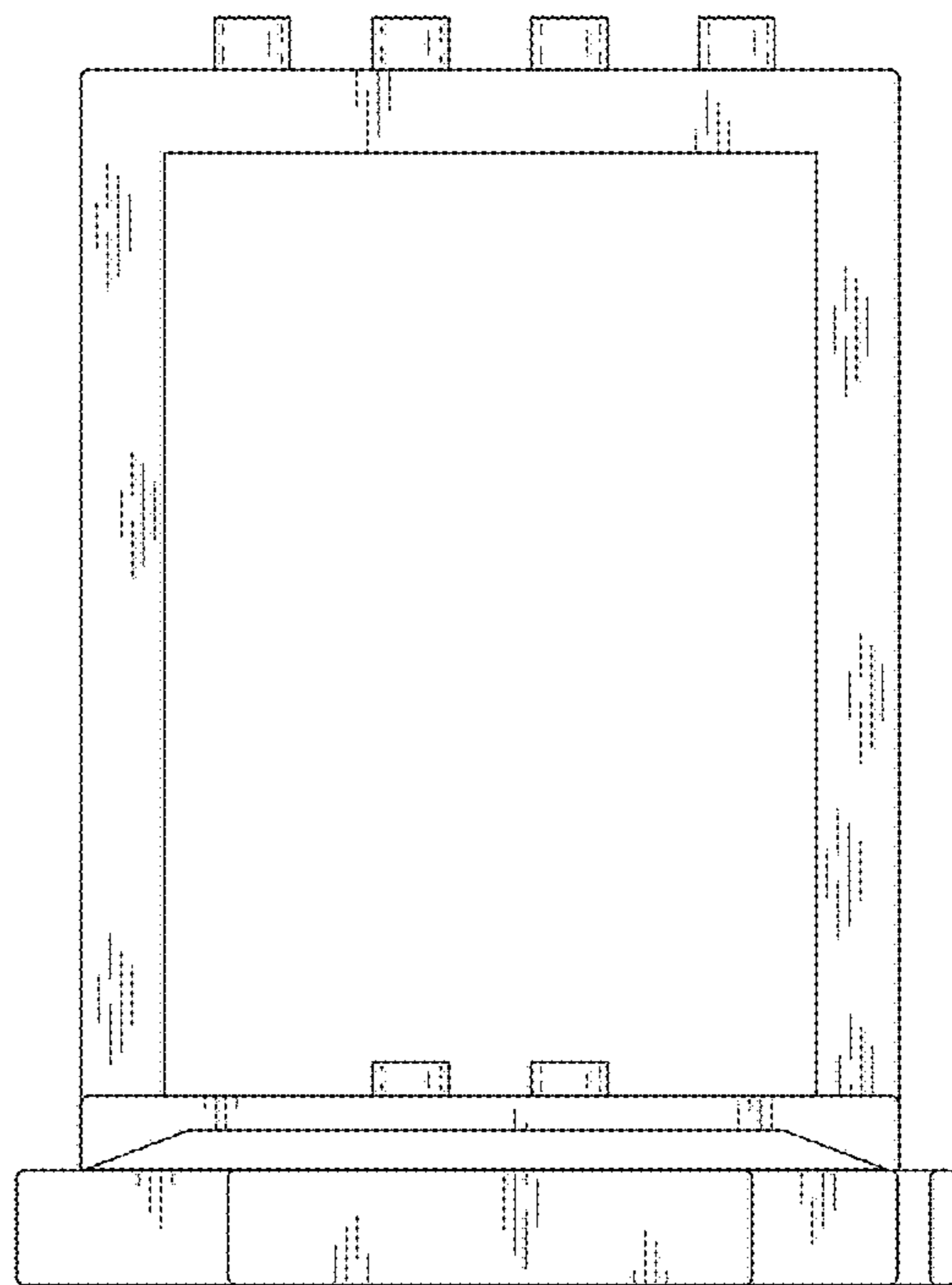
\* cited by examiner



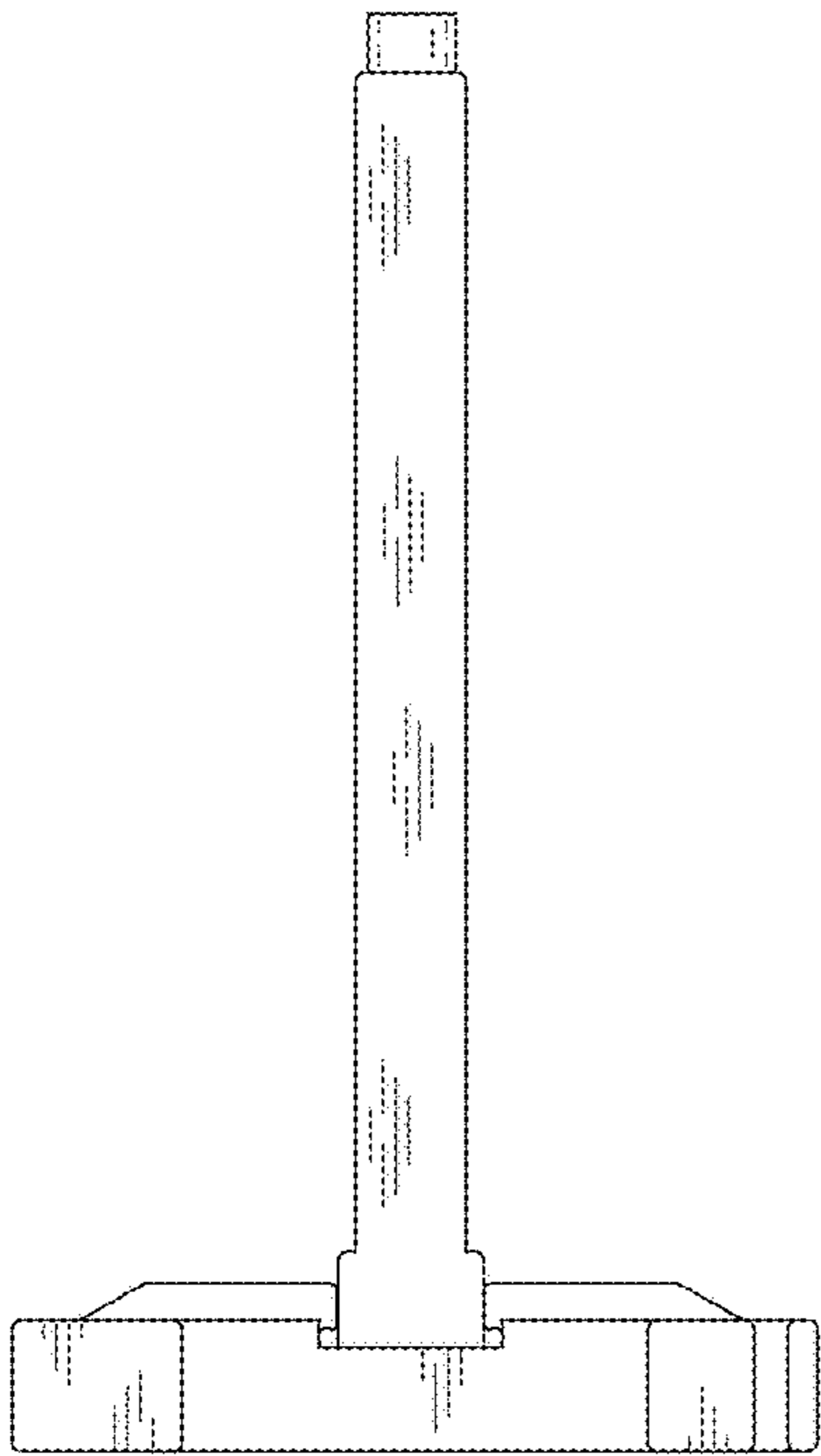
*Fig. 1*



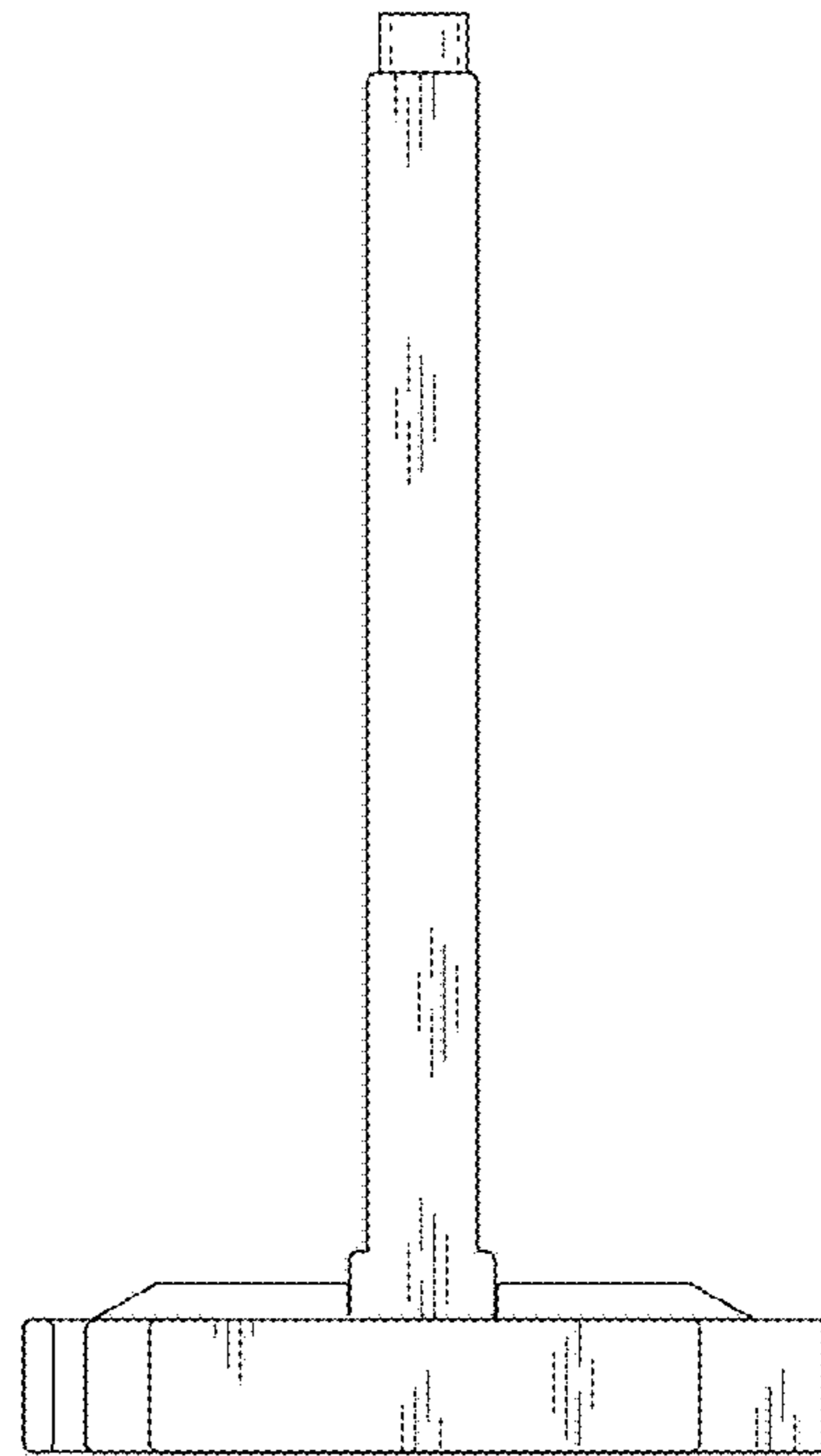
*Fig. 2*



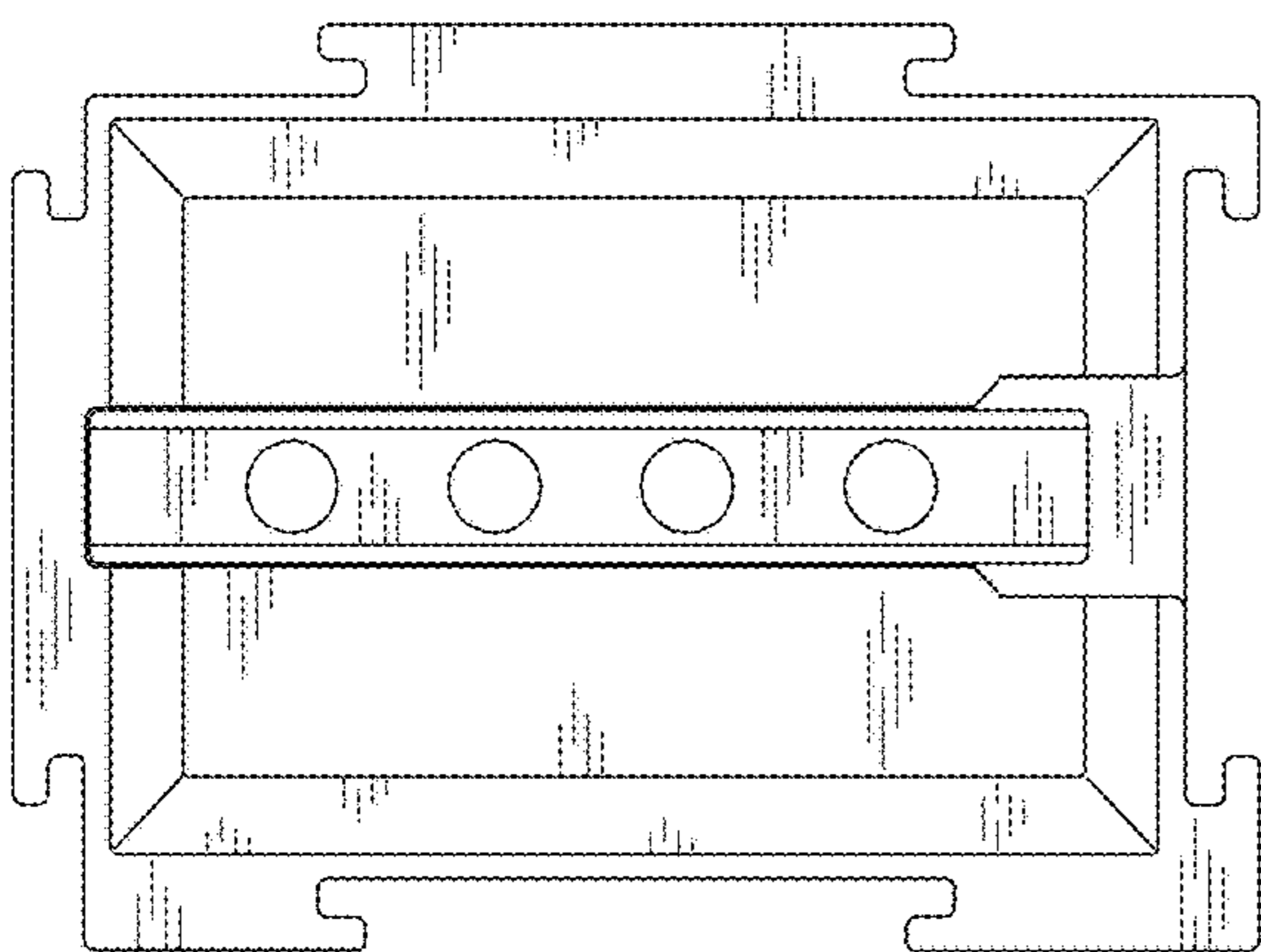
*Fig. 3*



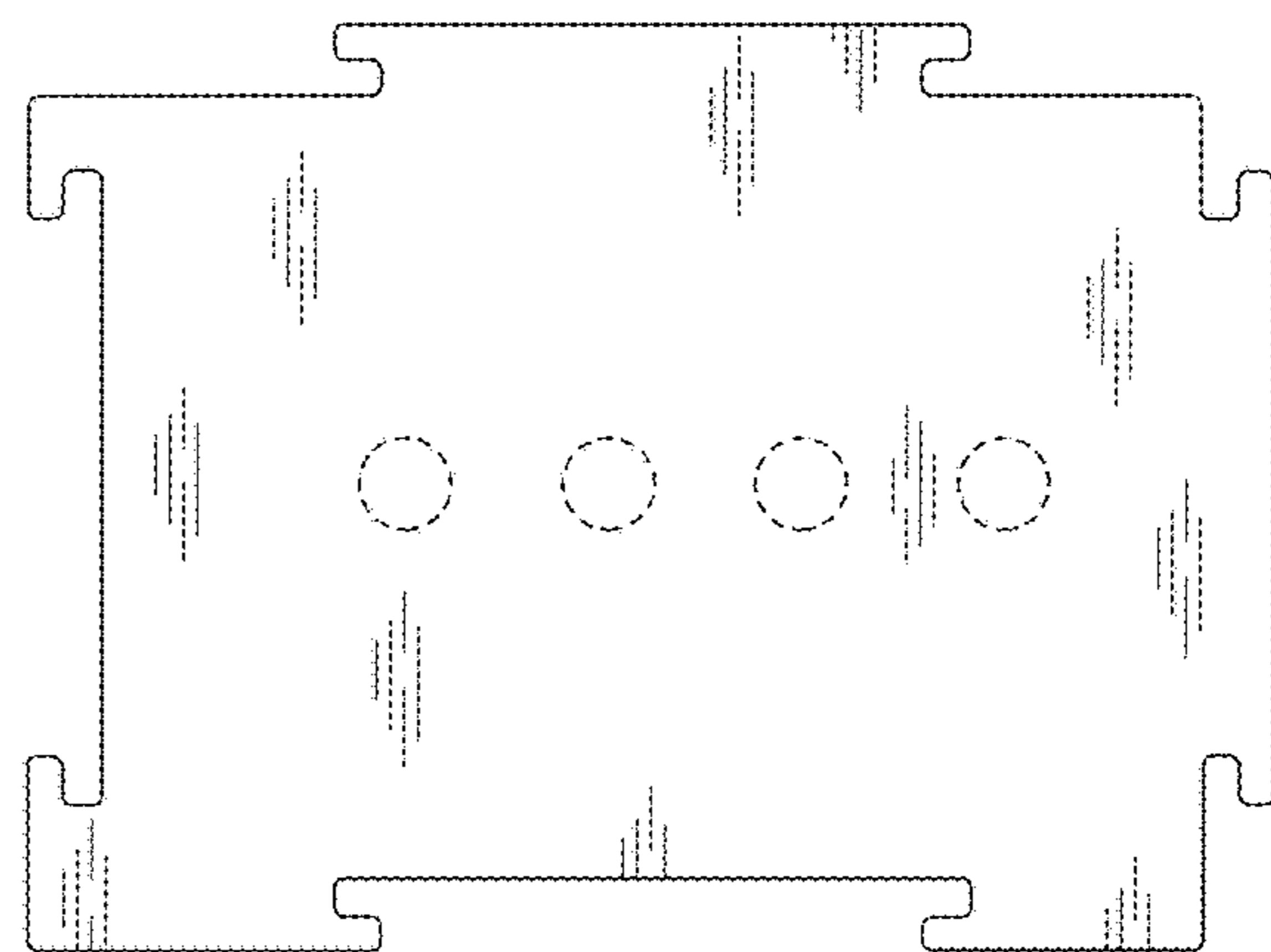
*Fig. 4*



*Fig. 5*

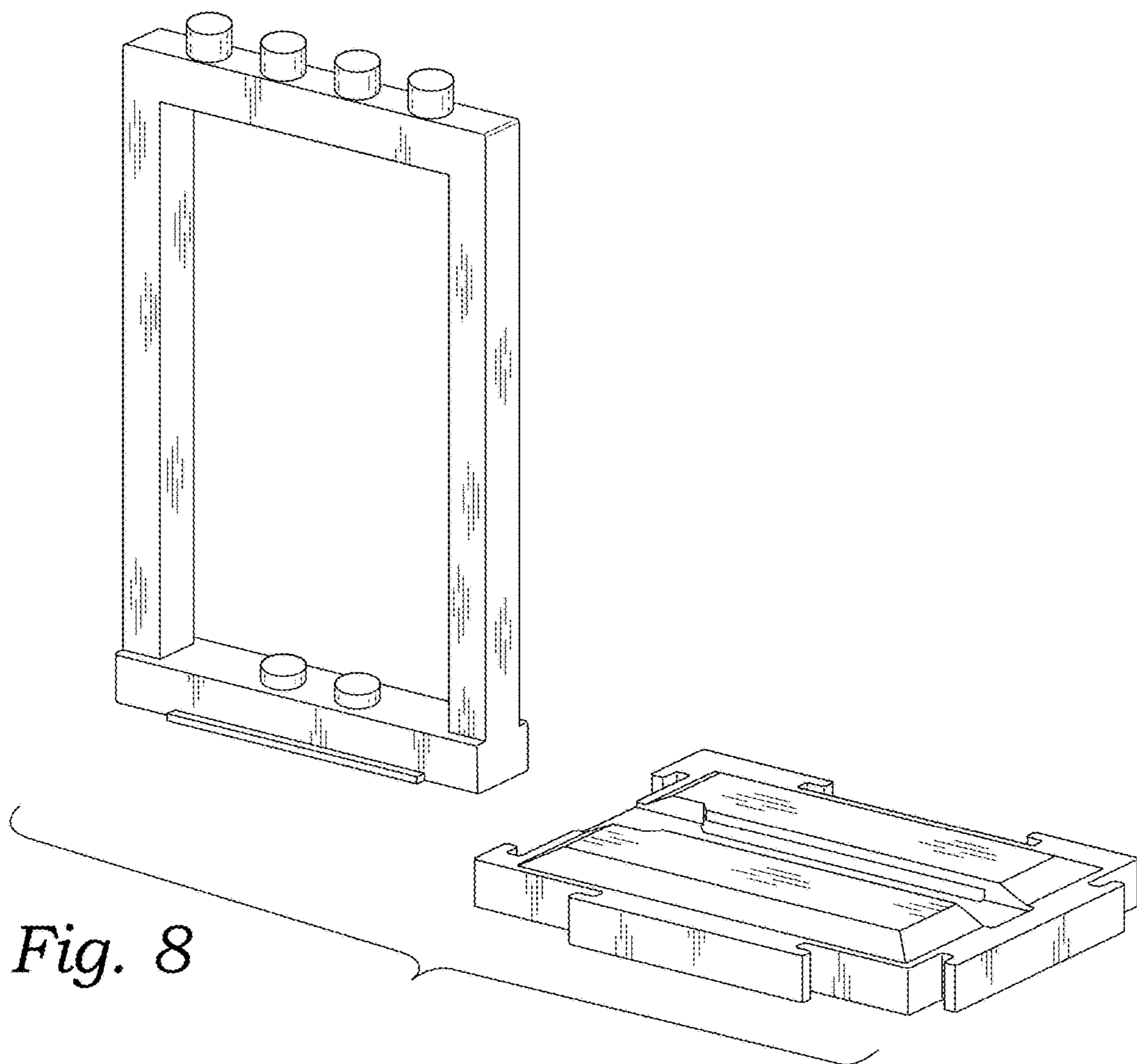


*Fig. 6*

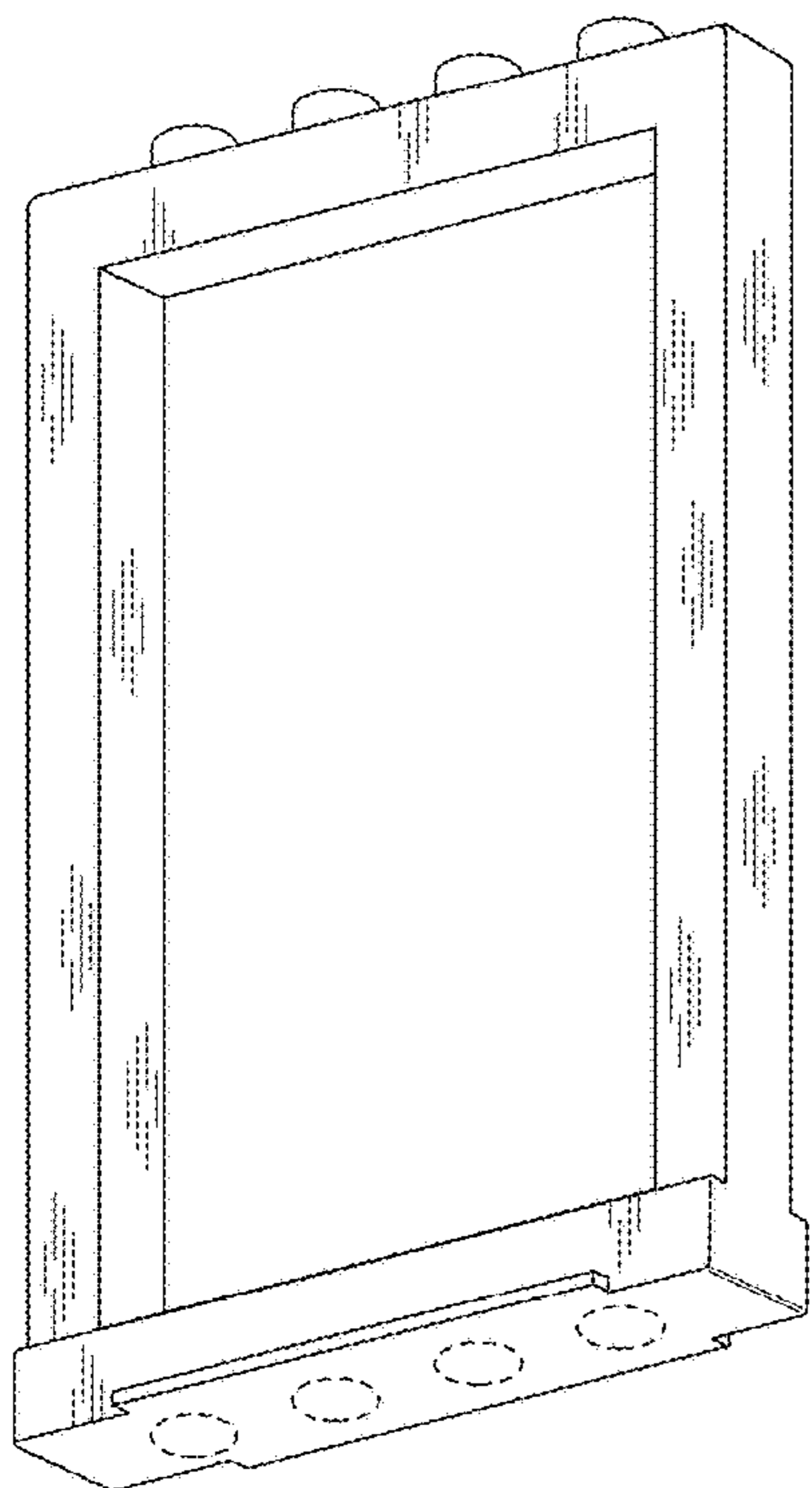


*Fig. 7*

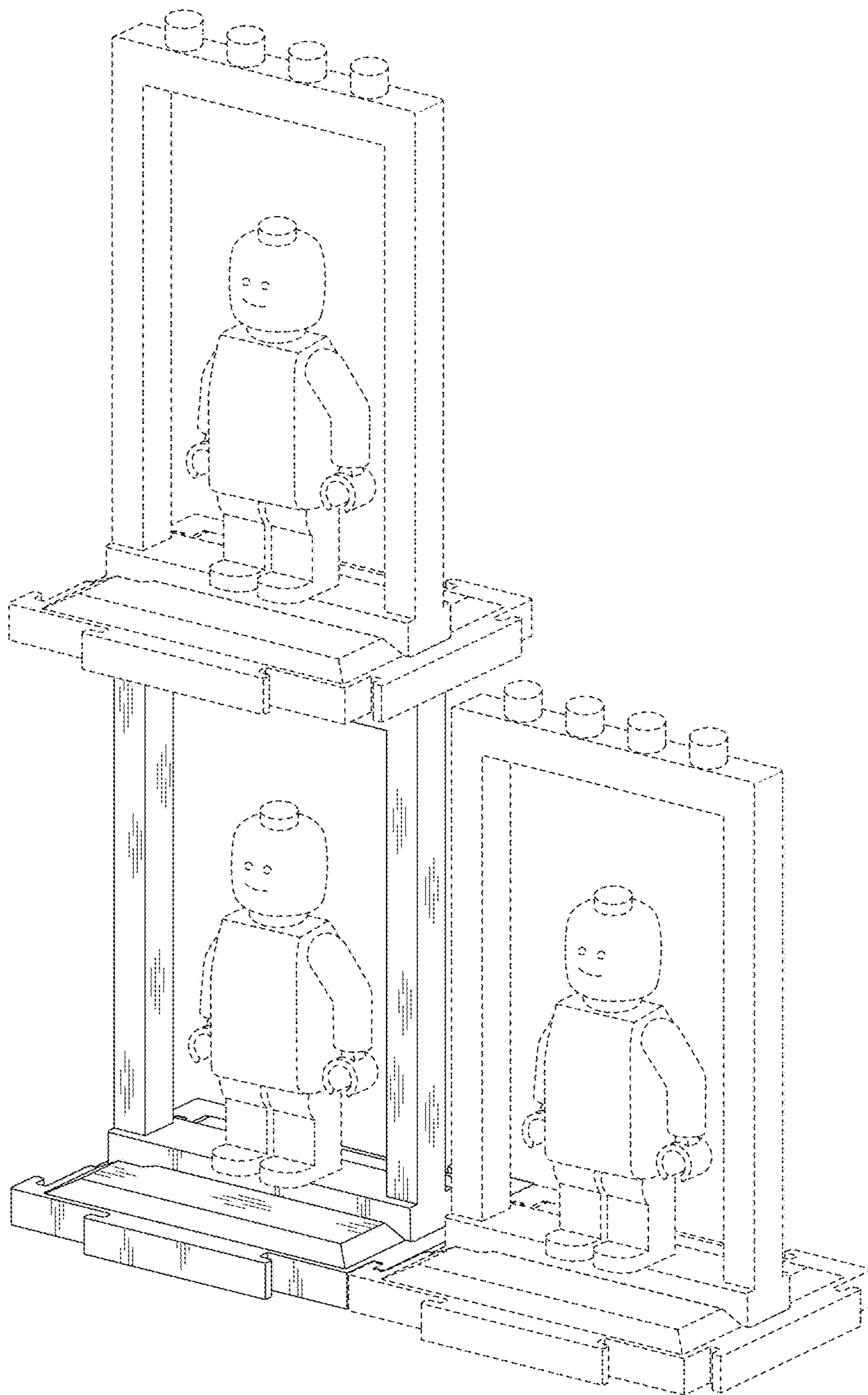




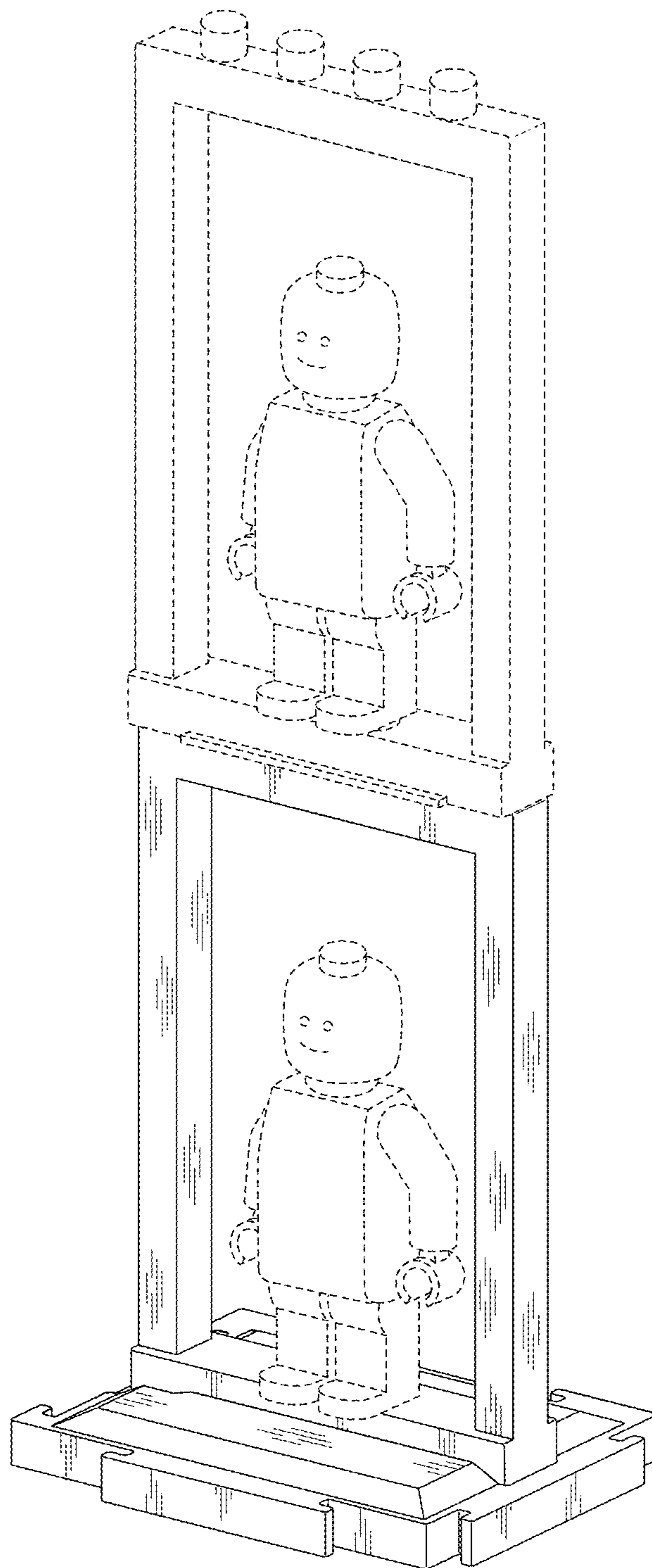
*Fig. 8*



*Fig. 9*



*Fig. 10*



*Fig. 11*