



US00D830742S

(12) **United States Design Patent**  
**Brendlinger**

(10) **Patent No.:** **US D830,742 S**

(45) **Date of Patent:** **\*\* Oct. 16, 2018**

- (54) **POINT OF SALE DISPLAY BOX**
- (71) Applicant: **John R. Brendlinger**, Santa Fe Springs, CA (US)
- (72) Inventor: **John R. Brendlinger**, Santa Fe Springs, CA (US)
- (\*\*) Term: **15 Years**
- (21) Appl. No.: **29/597,128**
- (22) Filed: **Mar. 14, 2017**
- (51) **LOC (11) Cl.** ..... **06-04**
- (52) **U.S. Cl.**  
USPC ..... **D6/672**
- (58) **Field of Classification Search**  
USPC ..... D6/672, 675, 675.4, 680.2, 682, 682.1, D6/682.3, 683, 683.1; D19/75, 86  
CPC ..... A47F 5/0025; A47F 5/112; B65D 1/34; B65D 1/36; B65D 5/4266; B65D 71/72  
See application file for complete search history.

- D332,184 S \* 1/1993 Becker ..... D6/673
- 5,979,662 A \* 11/1999 Green ..... B65D 5/5021  
206/463
- 6,050,420 A 4/2000 Green
- 6,068,139 A \* 5/2000 Brozak, Jr. .... A47F 1/12  
211/169
- D429,085 S \* 8/2000 Welty ..... D6/673
- 6,152,305 A 11/2000 Green
- D452,820 S \* 1/2002 Hacker ..... D9/456
- D460,691 S \* 7/2002 Morris ..... D9/456

(Continued)

*Primary Examiner* — John Windmuller  
*Assistant Examiner* — Steven J Czyz  
 (74) *Attorney, Agent, or Firm* — Robert J. Lauson;  
 Lauson & Tarver LLP

(57) **CLAIM**

I claim the ornamental design for a point of sale display box, as shown and described.

**DESCRIPTION**

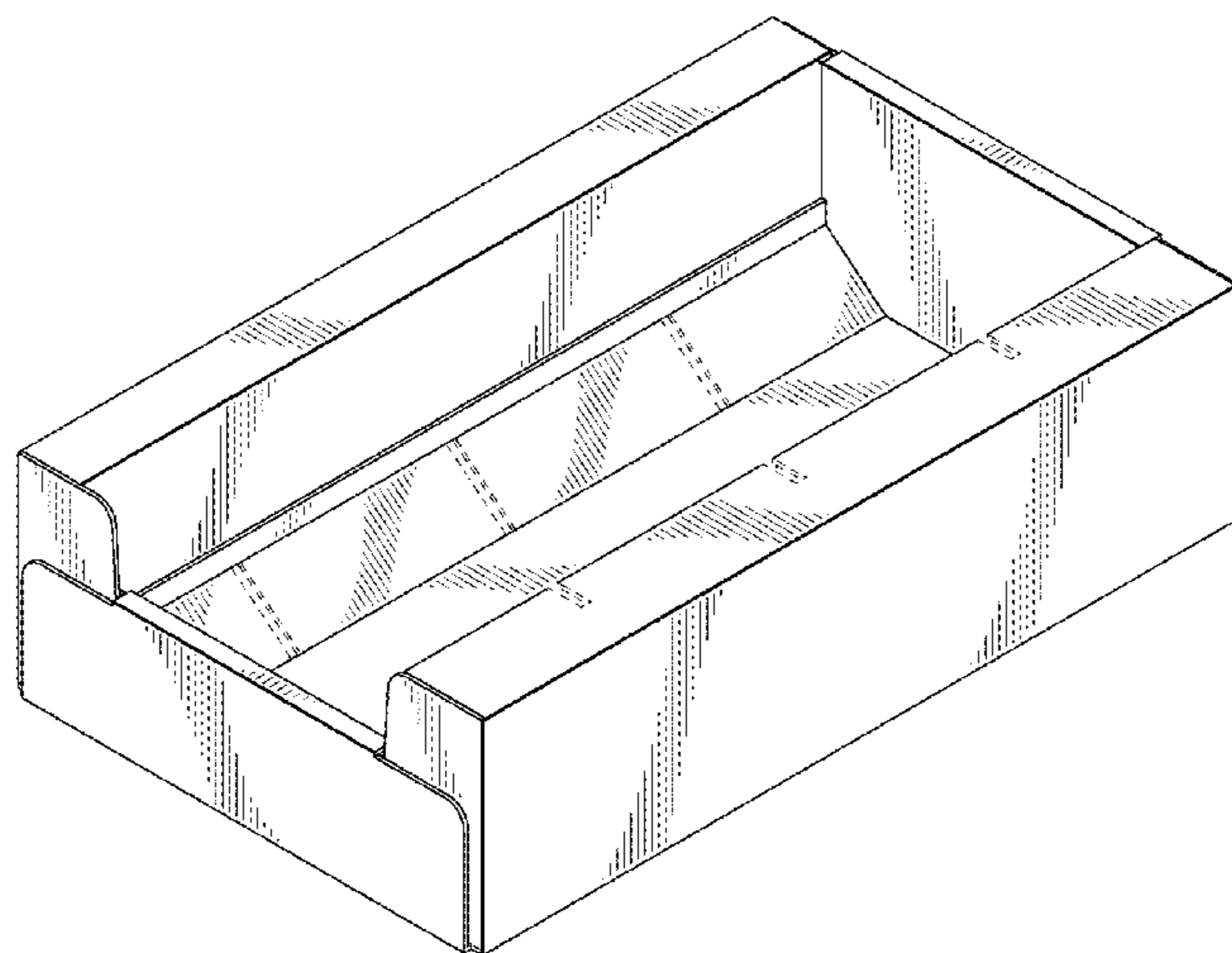
FIG. 1 is a front perspective view of a point of sale display box;  
 FIG. 2 is a rear perspective view of the point of sale display box;  
 FIG. 3 is a right side elevation view of the point of sale display box;  
 FIG. 4 is a left side elevation view of the point of sale display box;  
 FIG. 5 is a front elevation view of the point of sale display box;  
 FIG. 6 is a rear elevation view of the point of sale display box;  
 FIG. 7 is a top plan view of the point of sale display box;  
 and,  
 FIG. 8 is a bottom plan view of the point of sale display box.  
 The broken lines depict portions of the article that form no part of the claimed design.

(56) **References Cited**

U.S. PATENT DOCUMENTS

- D28,839 S \* 6/1898 Kirkwood et al. .... D6/675.4
- D117,278 S \* 10/1939 Kayton et al. .... D6/678.3
- D165,374 S \* 12/1951 Hutcheson et al. .... D6/683.1
- D167,518 S \* 8/1952 Kurschner et al. .... D14/261
- 2,829,816 A \* 4/1958 Jason ..... A47F 5/112  
206/389
- D201,716 S \* 7/1965 Franklin et al. .... D19/107
- 3,227,355 A \* 1/1966 Davidson ..... B65D 5/2009  
206/497
- 3,314,530 A \* 4/1967 Michalka ..... B65D 5/504  
206/565
- 3,696,940 A \* 10/1972 Hoffman ..... A47F 5/112  
211/126.16
- 3,744,706 A \* 7/1973 Colantoni ..... B65D 5/2009  
229/167
- D248,067 S \* 6/1978 Leath ..... D6/680
- D288,039 S \* 2/1987 LeBlanc ..... D19/75

**1 Claim, 3 Drawing Sheets**



(56)

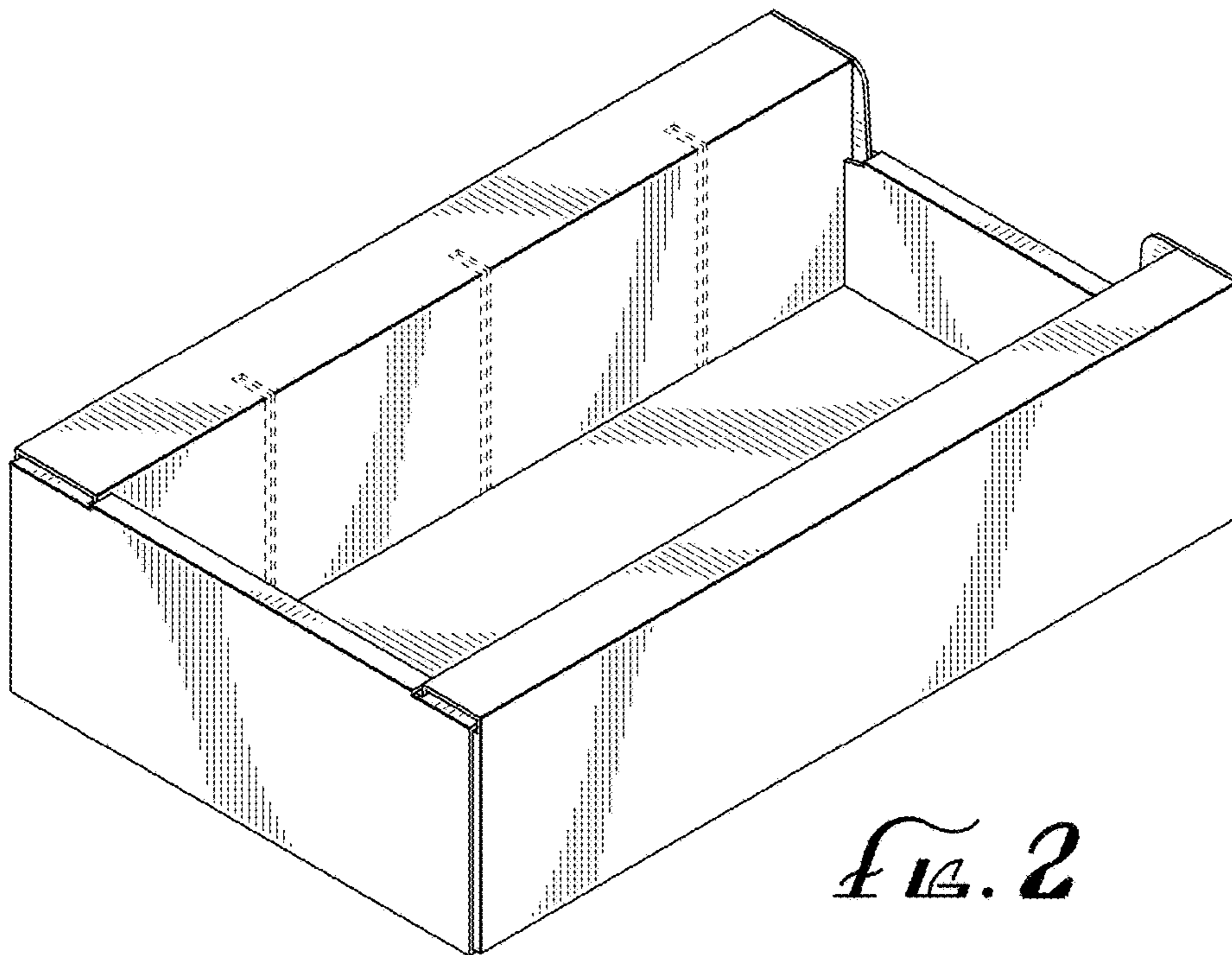
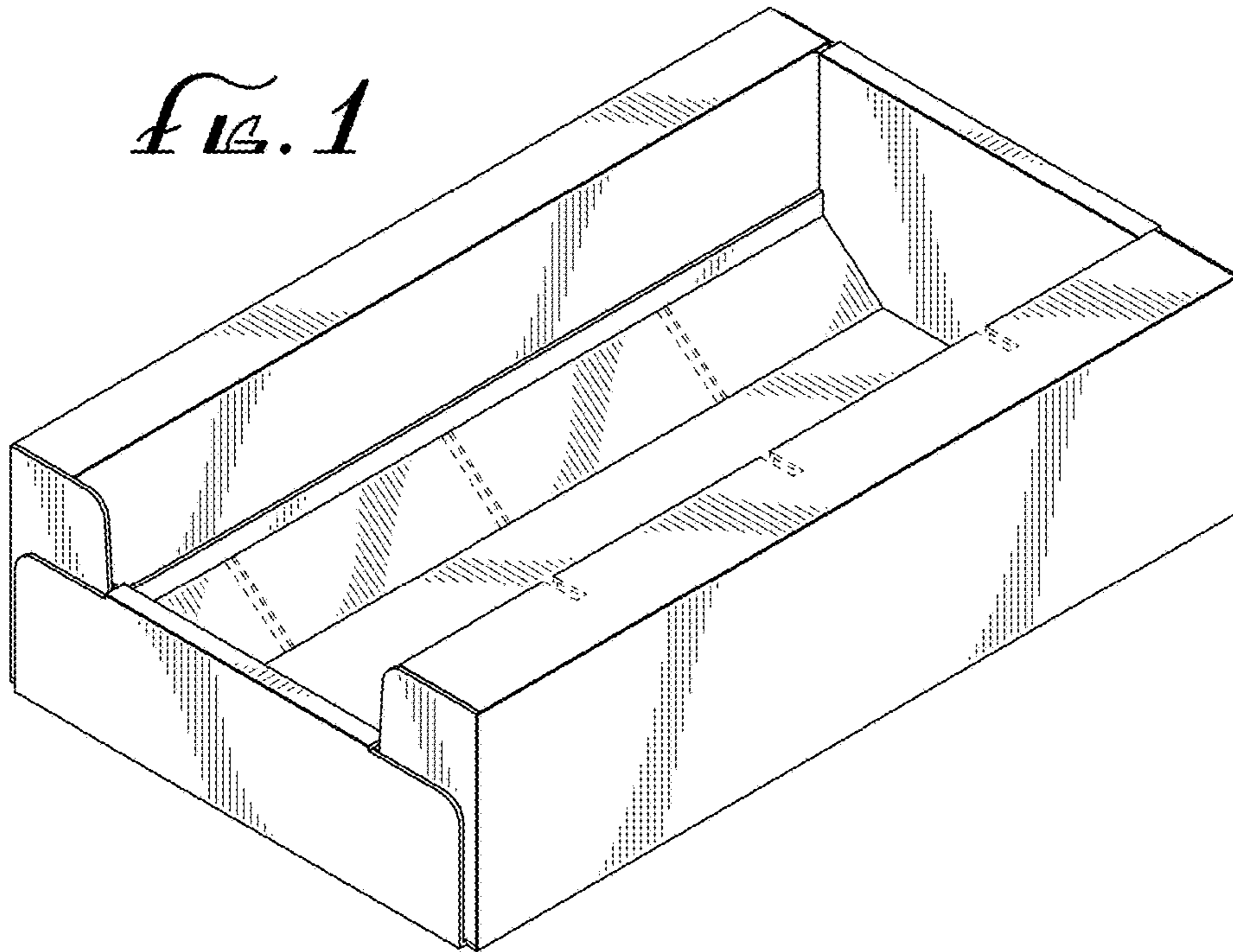
**References Cited**

U.S. PATENT DOCUMENTS

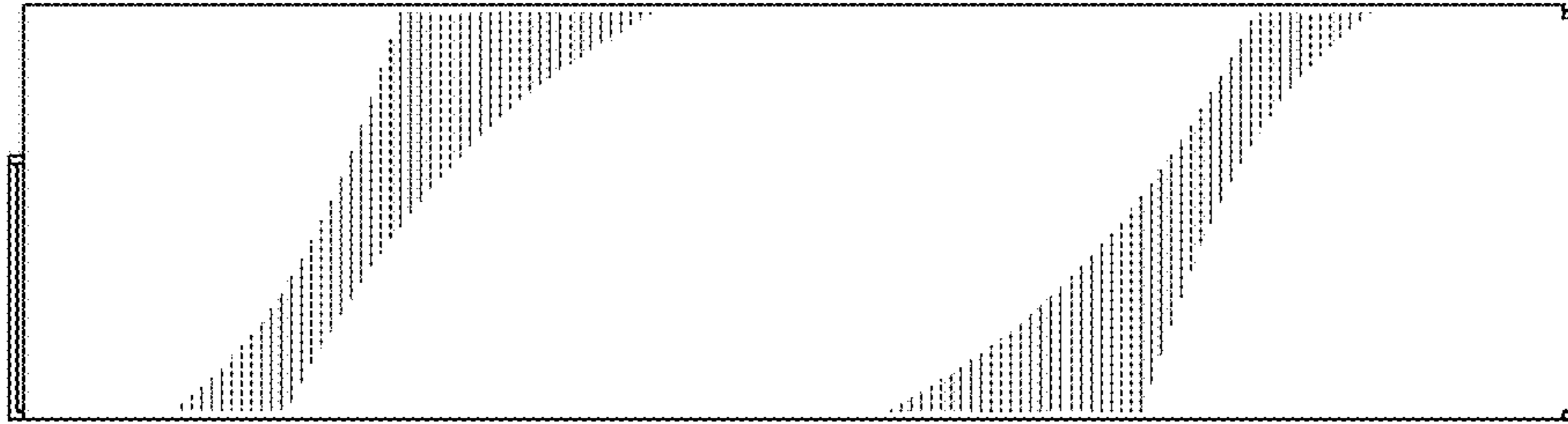
6,427,842 B1 \* 8/2002 Green ..... B65D 5/5021  
206/497  
6,431,363 B1 \* 8/2002 Hacker ..... B65D 5/5038  
206/486  
D673,795 S \* 1/2013 Murrah ..... D6/682.2  
D688,748 S \* 8/2013 Nash ..... D19/86  
D718,077 S \* 11/2014 Schneider, Jr. .... D6/675  
D769,035 S \* 10/2016 Williams ..... D6/683.1  
D793,775 S \* 8/2017 Kelly ..... D6/675  
2009/0194493 A1 \* 8/2009 Calpin ..... A47F 1/125  
211/59.3  
2013/0087476 A1 \* 4/2013 Keefe ..... B65D 77/04  
206/561  
2015/0144686 A1 \* 5/2015 Miranda ..... B65D 5/0005  
229/101  
2017/0341804 A1 \* 11/2017 Noskin ..... B65D 5/503

\* cited by examiner

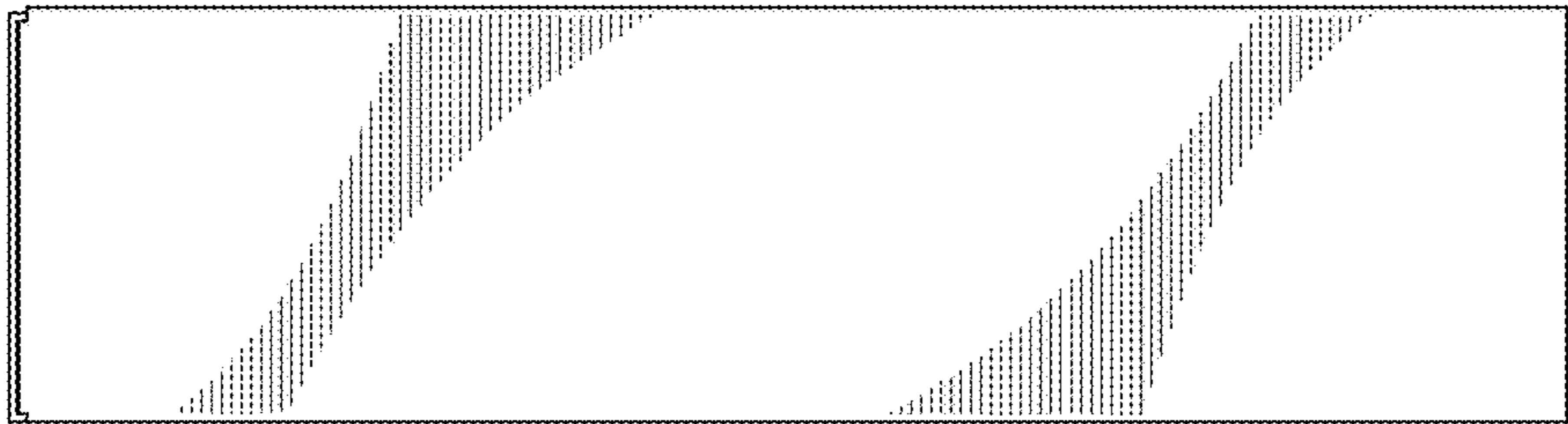
*FIG. 1*



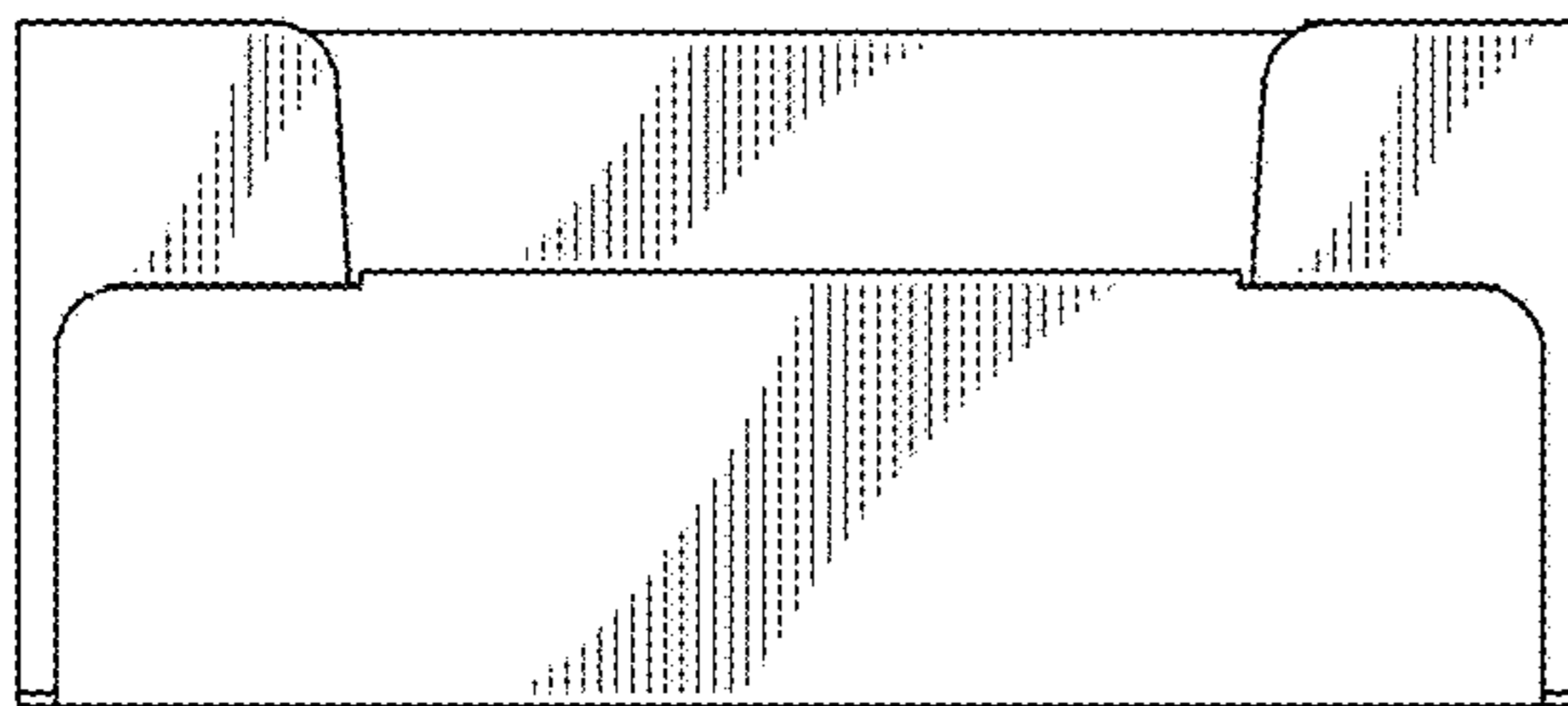
*FIG. 2*



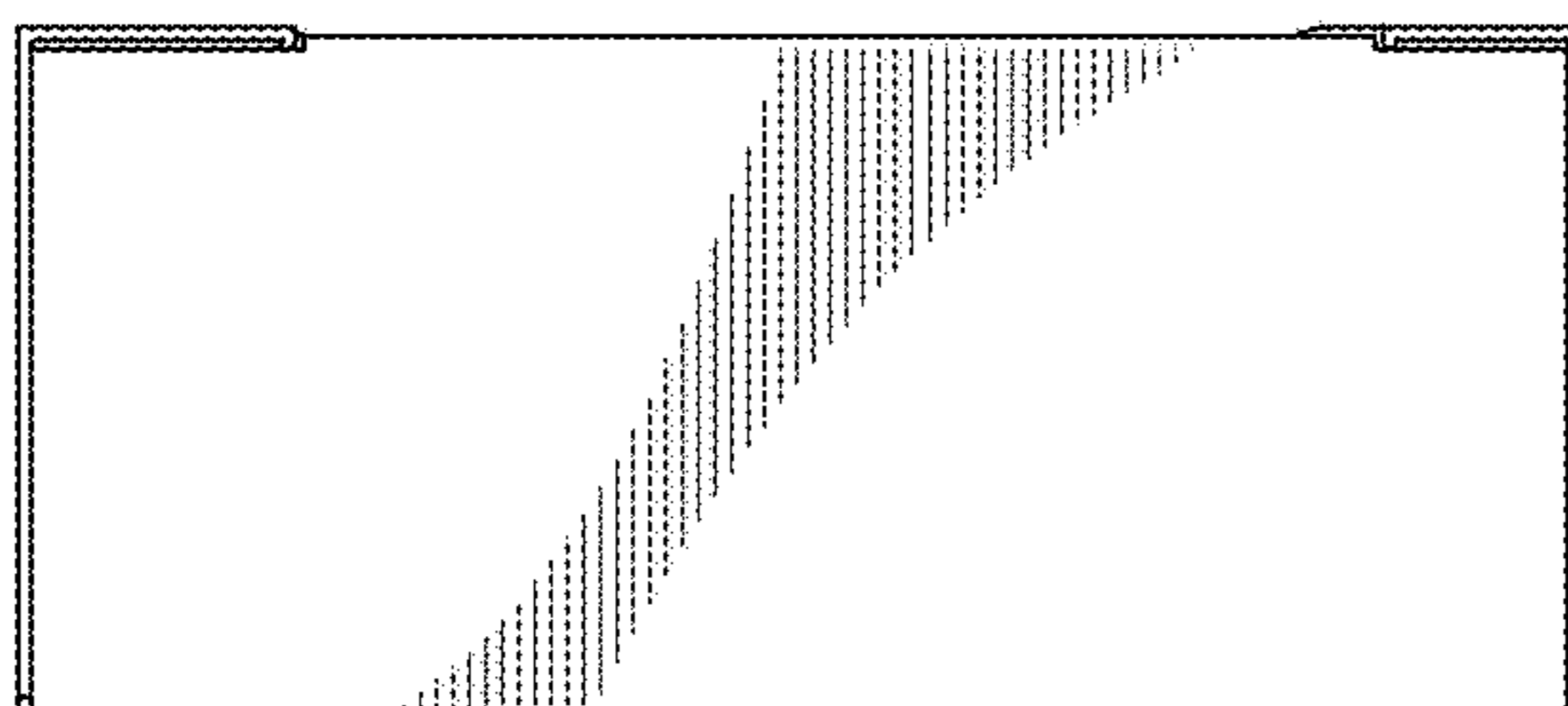
*FIG. 3*



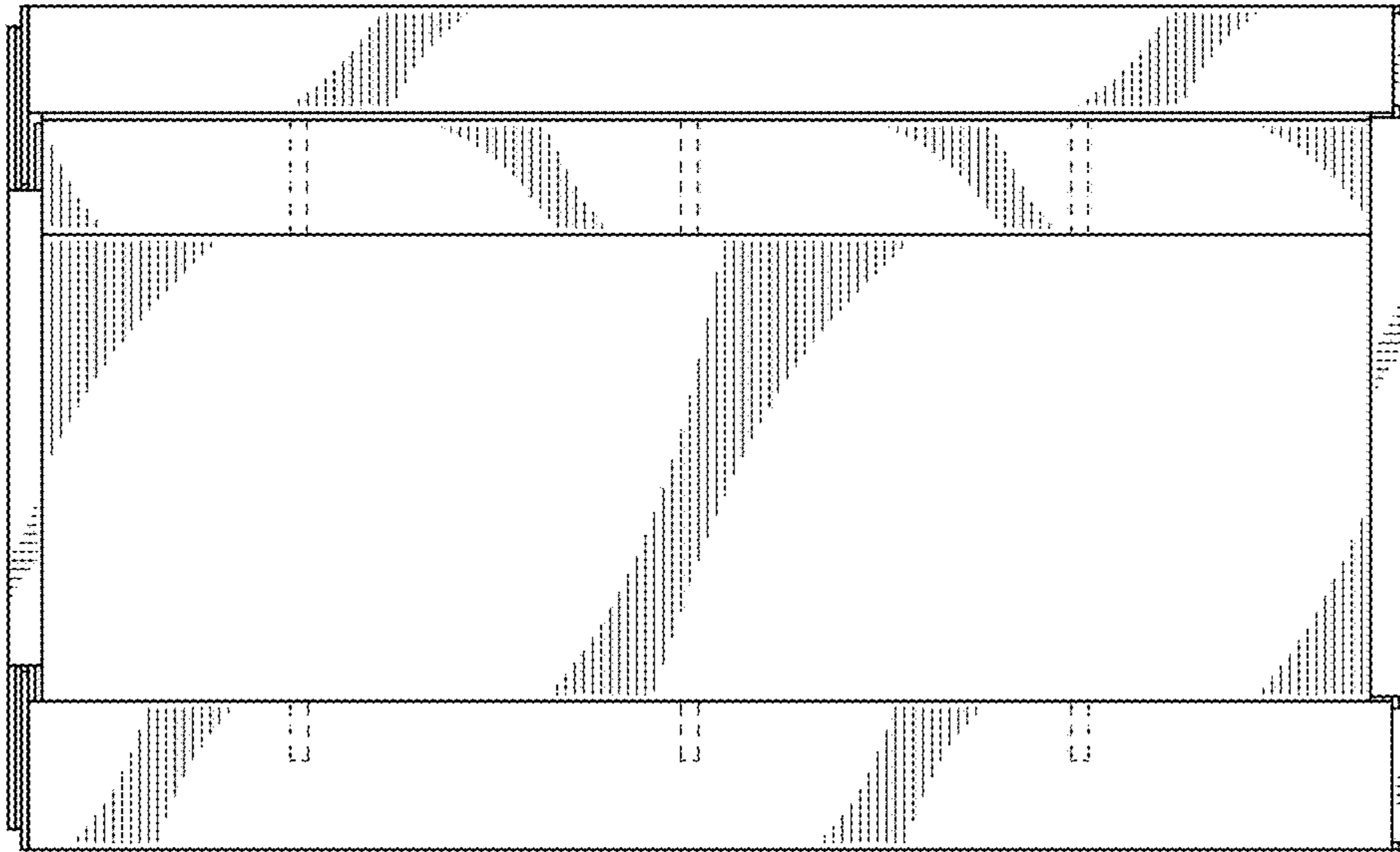
*FIG. 4*



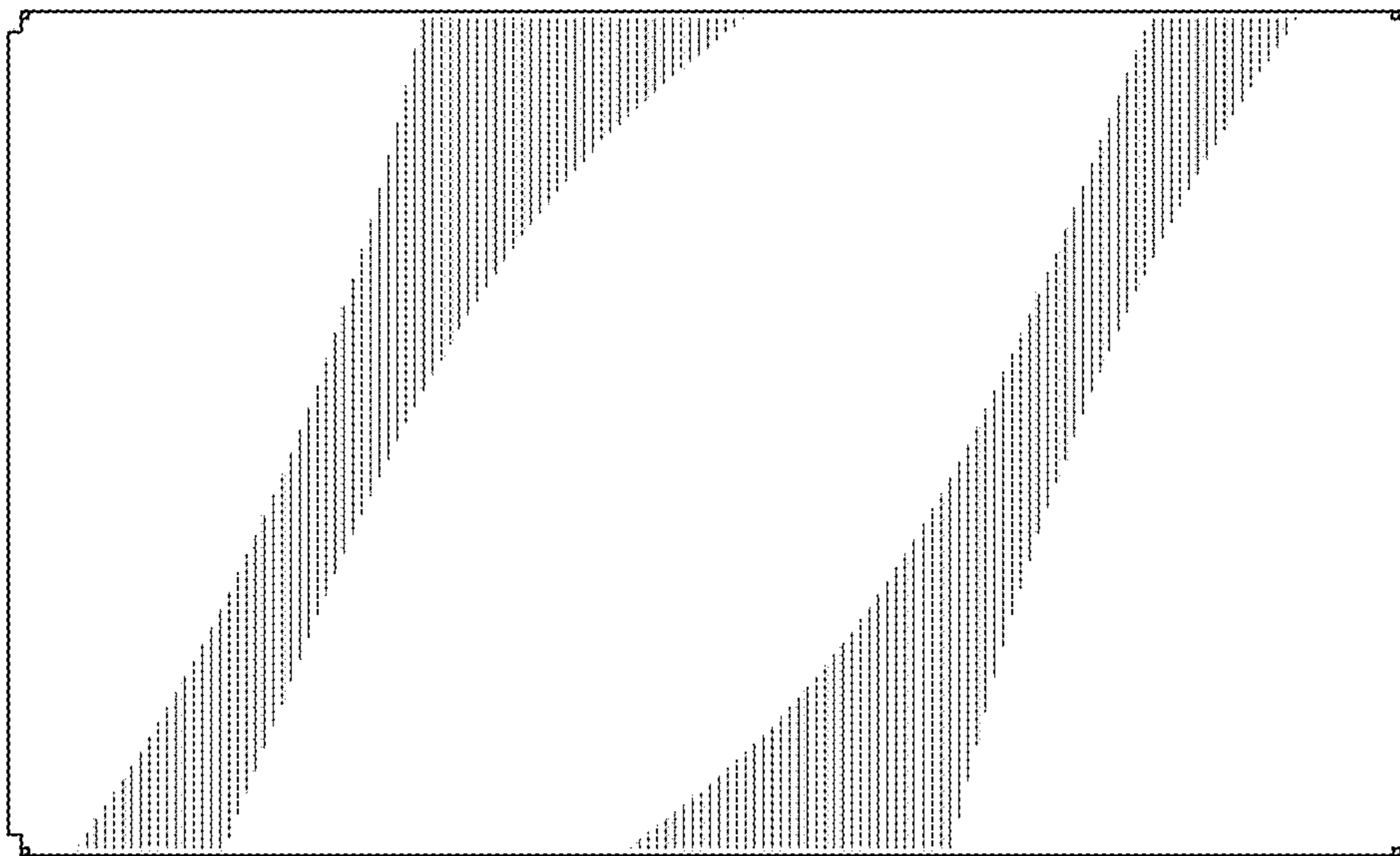
*FIG. 5*



*FIG. 6*



*FIG. 7*



*FIG. 8*