



US00D830739S

(12) **United States Design Patent** (10) **Patent No.:** **US D830,739 S**
Min (45) **Date of Patent:** **** Oct. 16, 2018**

(54) **DESK**
(71) Applicant: **SAMHONGSA CO., LTD**, Seoul (KR)
(72) Inventor: **Woo-Kee Min**, Seoul (KR)
(73) Assignee: **SAMHONGSA CO., LTD**, Seoul (KR)
(**) Term: **15 Years**
(21) Appl. No.: **29/562,426**
(22) Filed: **Apr. 26, 2016**
(30) **Foreign Application Priority Data**
Oct. 26, 2015 (KR) 30-2015-0053837
(51) **LOC (11) Cl.** **06-03**
(52) **U.S. Cl.**
USPC **D6/655**
(58) **Field of Classification Search**
USPC D6/641, 642, 648, 648.1, 648.2, 648.3,
D6/648.4, 649, 653, 655, 655.11, 655.13,
D6/656, 656.15, 699, 708, 708.16,
D6/708.17, 709, 709.2
CPC A47B 7/00; A47B 13/08; A47B 13/10;
A47B 21/00; A47B 2009/006; A47B
11/00; A47B 2200/002; A47B 21/02
See application file for complete search history.

(56) **References Cited**
U.S. PATENT DOCUMENTS
D166,377 S * 4/1952 Curtis D6/678.2
D280,478 S * 9/1985 Stephens D6/641
D304,112 S * 10/1989 Bettess D34/21
D352,845 S * 11/1994 Hellwig D6/656.16
D371,687 S * 7/1996 Sims D6/649
D395,969 S * 7/1998 Barlow-Lawson D6/707.15
D415,910 S * 11/1999 Chang D6/656
D424,828 S * 5/2000 Ko D6/653.1

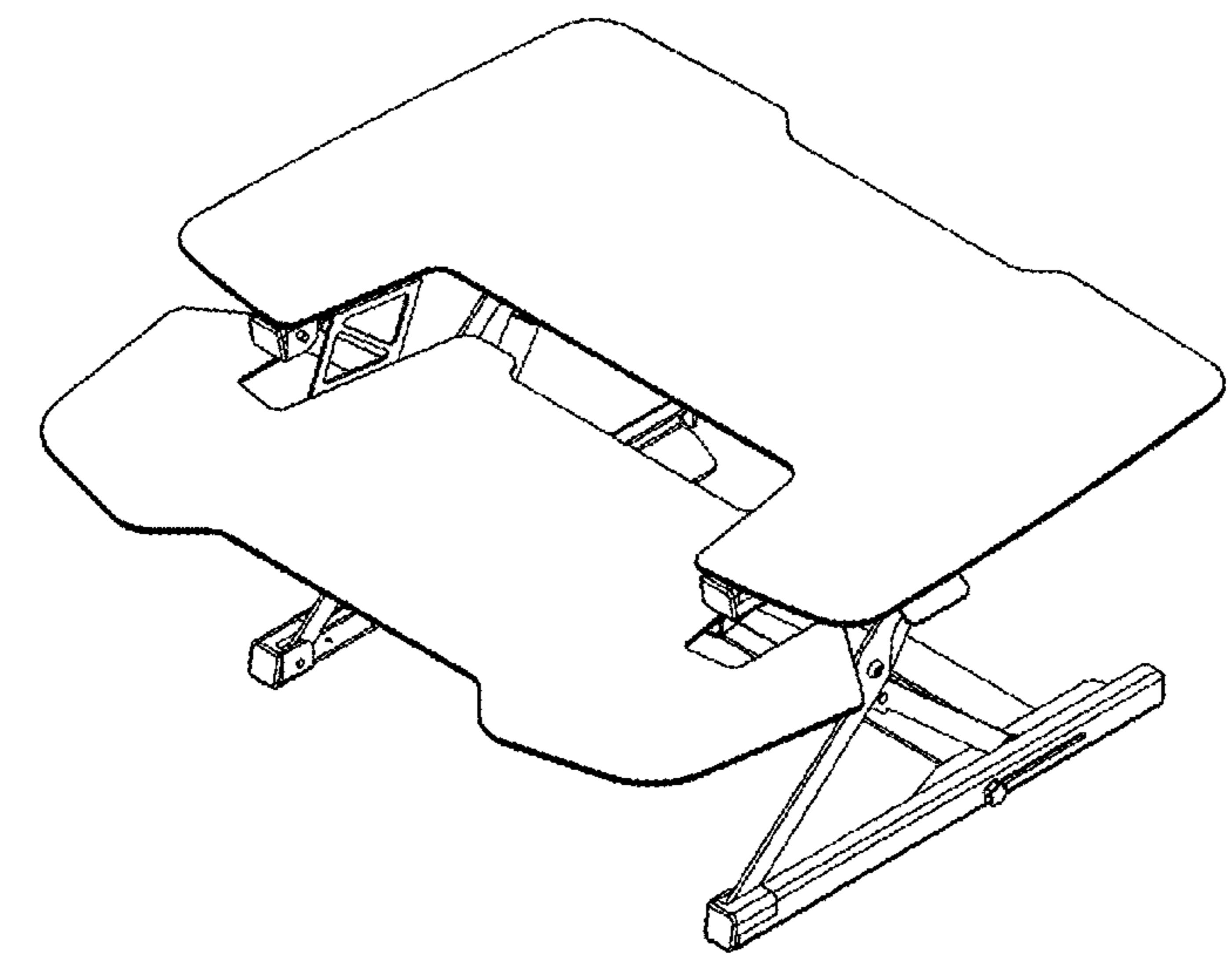
D435,368 S * 12/2000 Tzeng D6/654
D435,986 S * 1/2001 Hines D6/655.11
D436,268 S * 1/2001 Ko D6/653.21
D464,212 S * 10/2002 Chen D6/653.1
D530,939 S * 10/2006 Nakamura D6/654.21
D612,643 S * 3/2010 Rossini D6/707.15
D644,046 S * 8/2011 Cronk D6/656.17
D671,338 S * 11/2012 Sexton D6/675.1
D681,979 S * 5/2013 Keen D6/691
D694,044 S * 11/2013 Copeland D6/656.15
D716,074 S * 10/2014 Kitajima D6/654.21
D733,476 S * 7/2015 Papic D6/655.16
D734,413 S * 7/2015 Bettin D21/694
D771,981 S * 11/2016 Flaherty D6/655
D771,982 S * 11/2016 Flaherty D6/655
9,504,316 B1 * 11/2016 Streicher A47B 21/02
D781,617 S * 3/2017 Flaherty D6/655
D781,618 S * 3/2017 Flaherty D6/655
D781,619 S * 3/2017 Flaherty D6/655
D784,050 S * 4/2017 Flaherty D6/655
(Continued)

Primary Examiner — Mary Ann Calabrese
Assistant Examiner — Sloan Rozin
(74) *Attorney, Agent, or Firm* — Oblon, McClelland,
Maier & Neustadt, L.L.P.

(57) **CLAIM**
The ornamental design for a desk, as shown and described.

DESCRIPTION
FIG. 1 is a front, top, and right side perspective view of a desk;
FIG. 2 is a front elevational view thereof;
FIG. 3 is a rear elevational view thereof;
FIG. 4 is a left side elevational view thereof;
FIG. 5 is a right side elevational view thereof;
FIG. 6 is a top plan view thereof;
FIG. 7 is a bottom plan view thereof; and,
FIG. 8 is a front, bottom, and right side perspective view thereof.

1 Claim, 8 Drawing Sheets



(56)

References Cited

U.S. PATENT DOCUMENTS

2008/0178779	A1 *	7/2008	Agee	A47B 9/04 108/147
2013/0139736	A1 *	6/2013	Flaherty	A47B 9/18 108/106
2015/0096472	A1 *	4/2015	Papic	A47B 9/20 108/28
2016/0106205	A1 *	4/2016	Hall	A47B 9/00 700/275
2016/0278515	A1 *	9/2016	Ergun	A47B 9/16
2017/0105518	A1 *	4/2017	Huang	A47B 9/16
2017/0196351	A1 *	7/2017	Failing	A47B 21/02
2017/0290413	A1 *	10/2017	Hu	A47B 21/02
2017/0354245	A1 *	12/2017	Martin	A47B 9/16

* cited by examiner

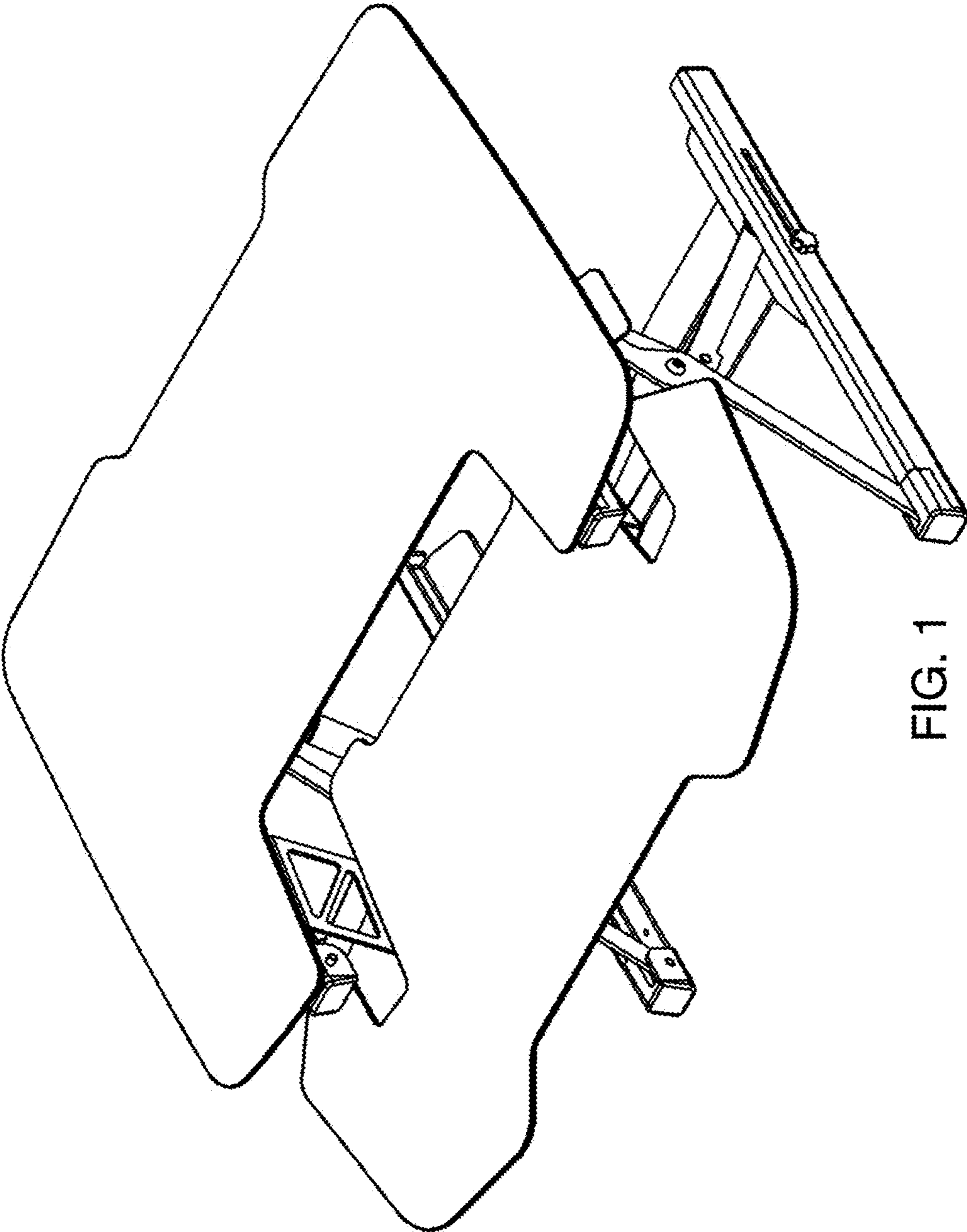


FIG. 1

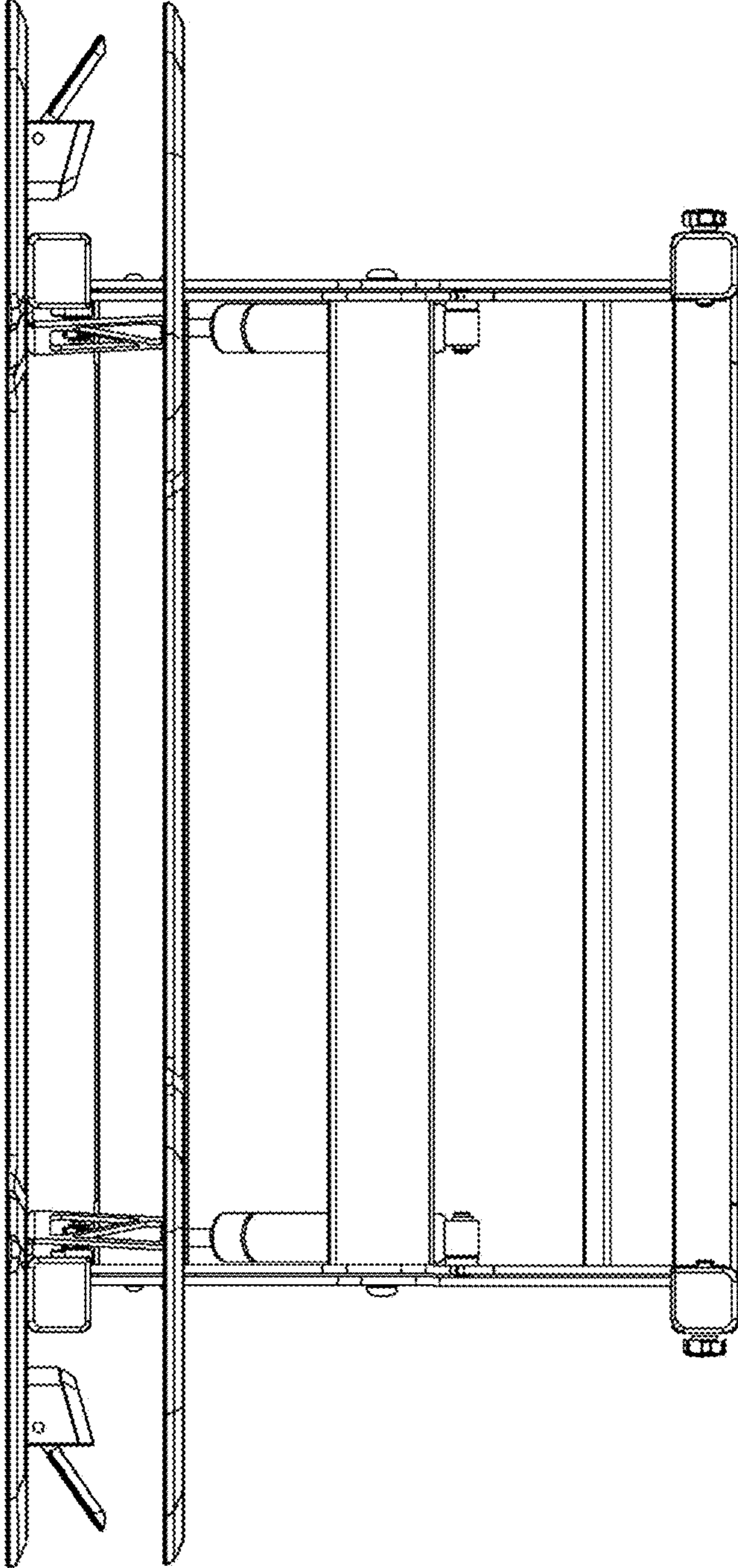


FIG. 2

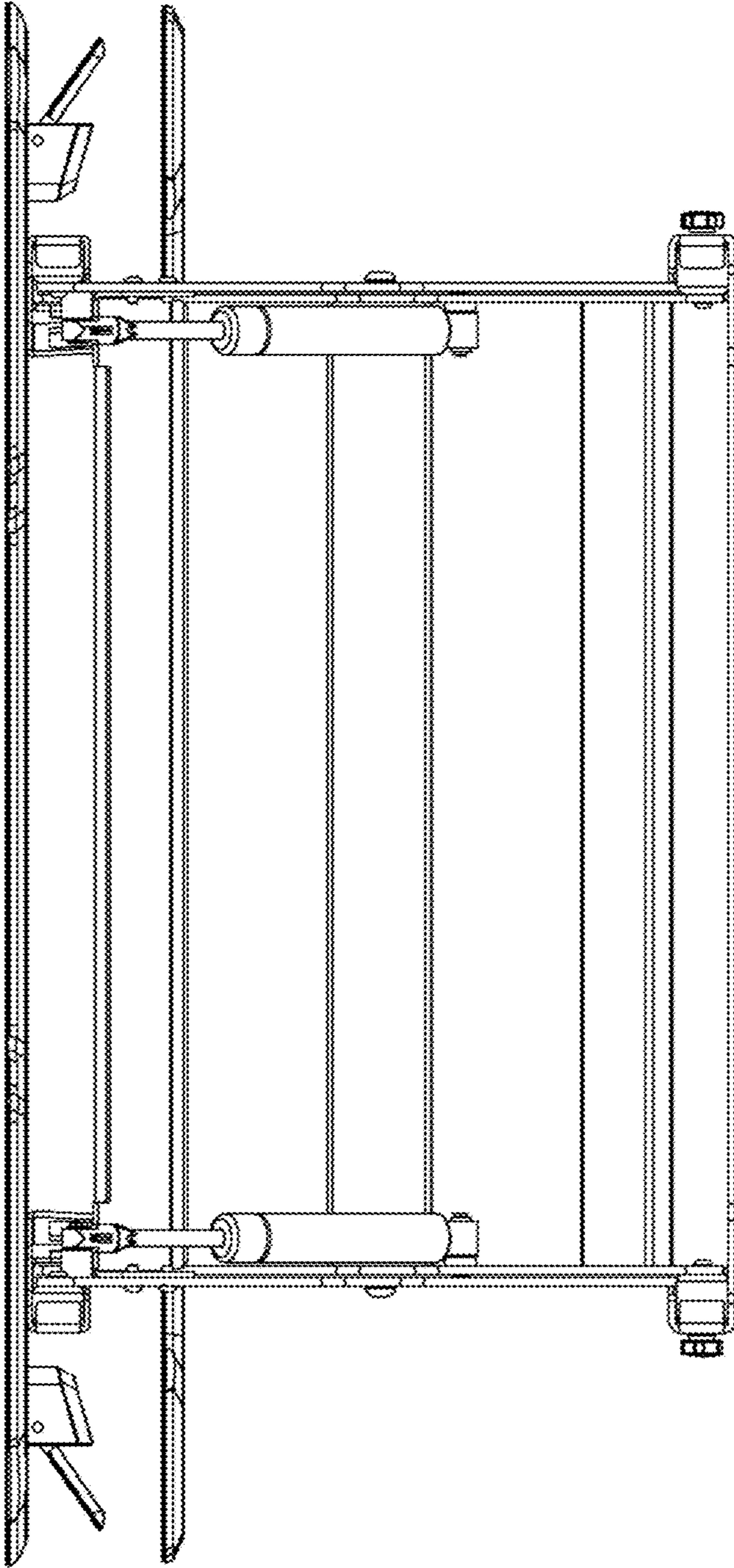


FIG. 3

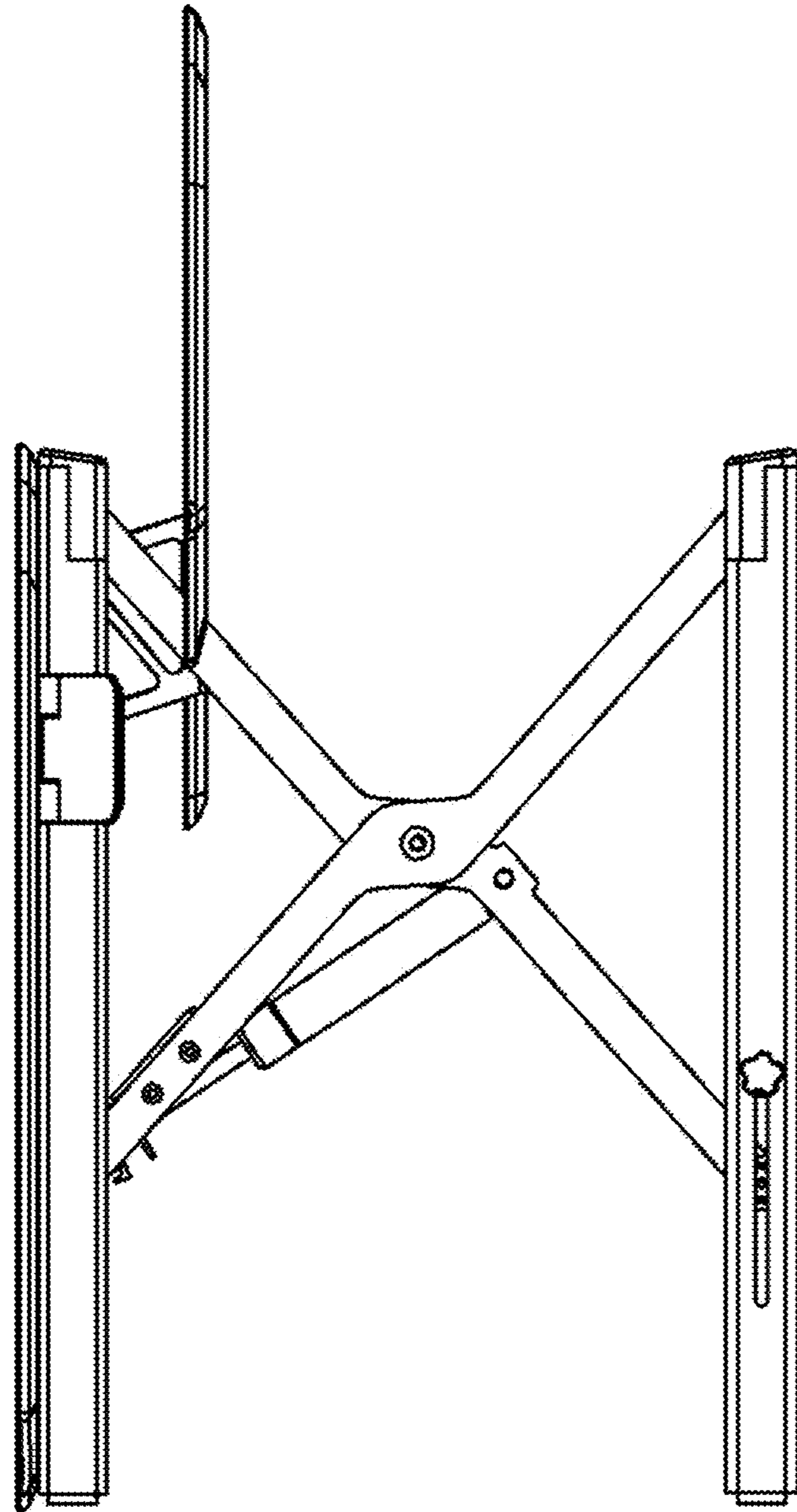


FIG. 4

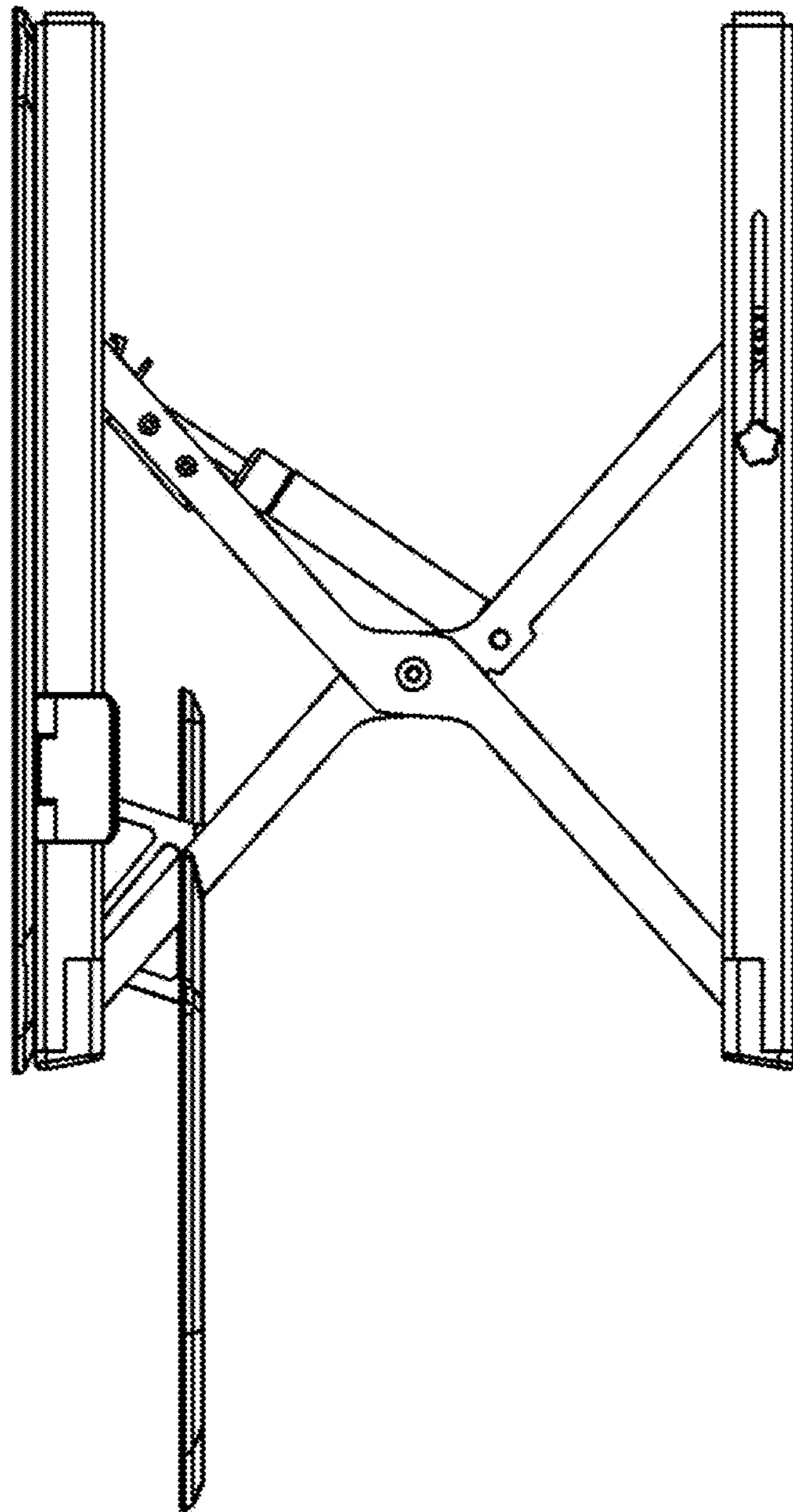


FIG. 5

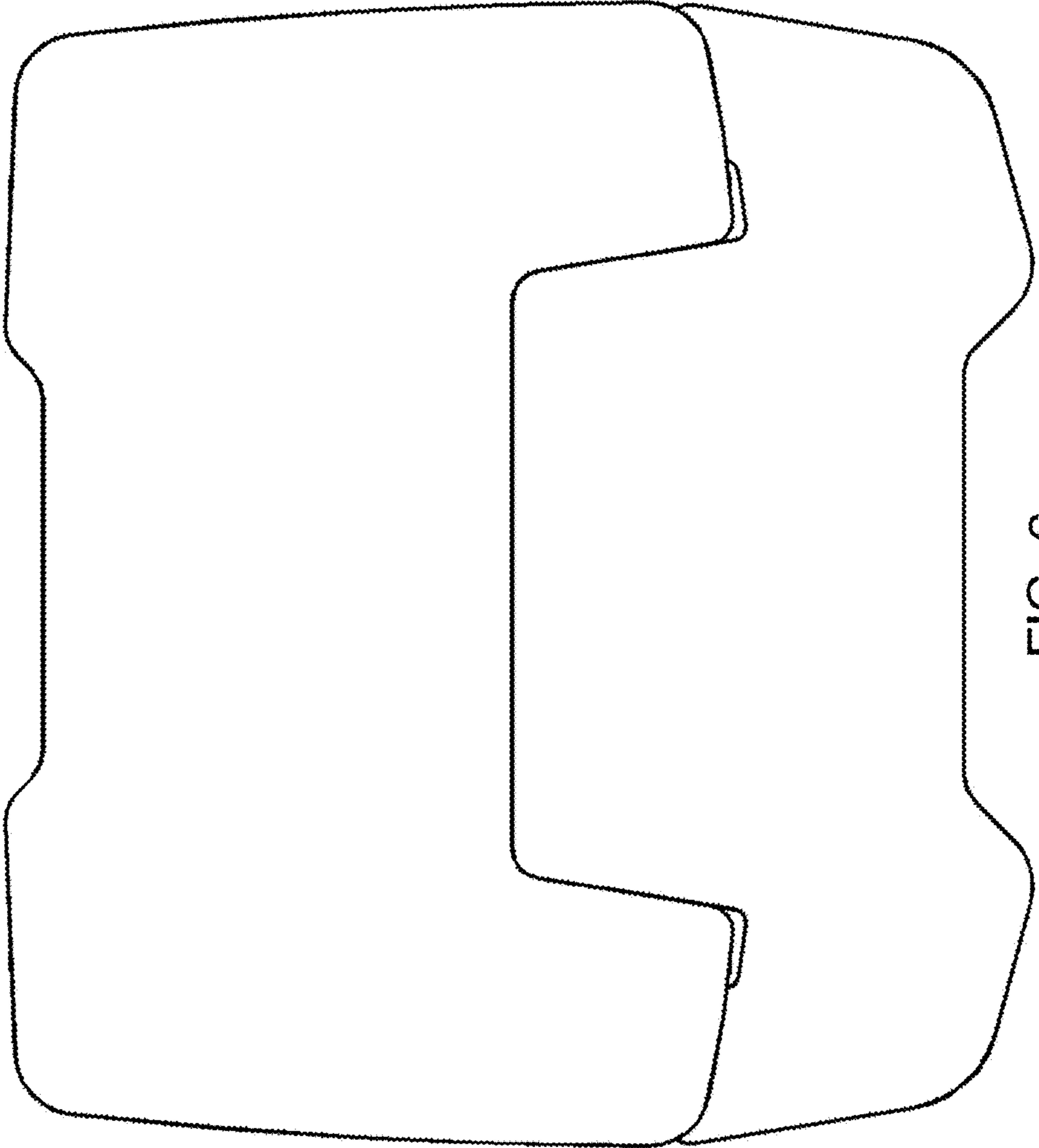


FIG. 6

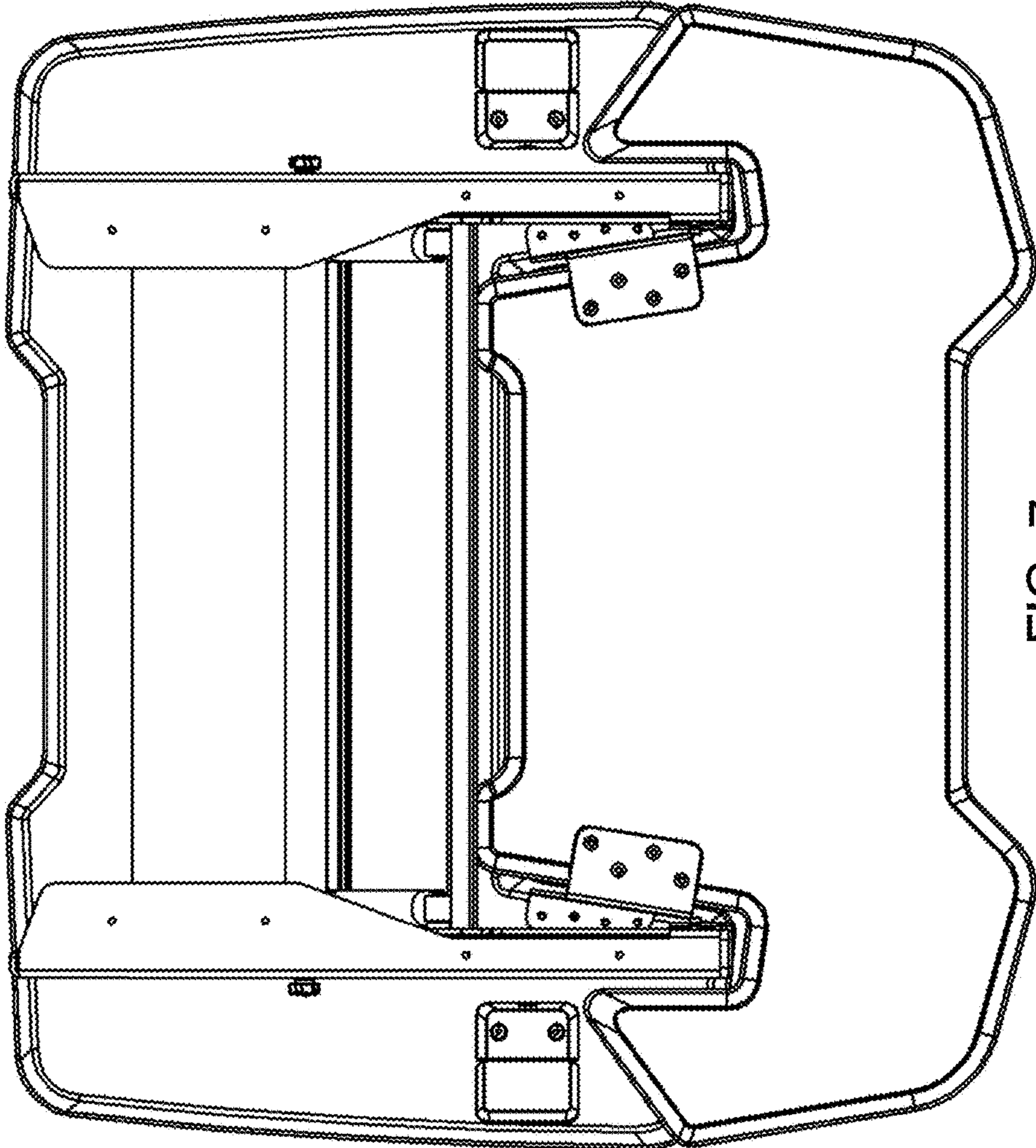


FIG. 7

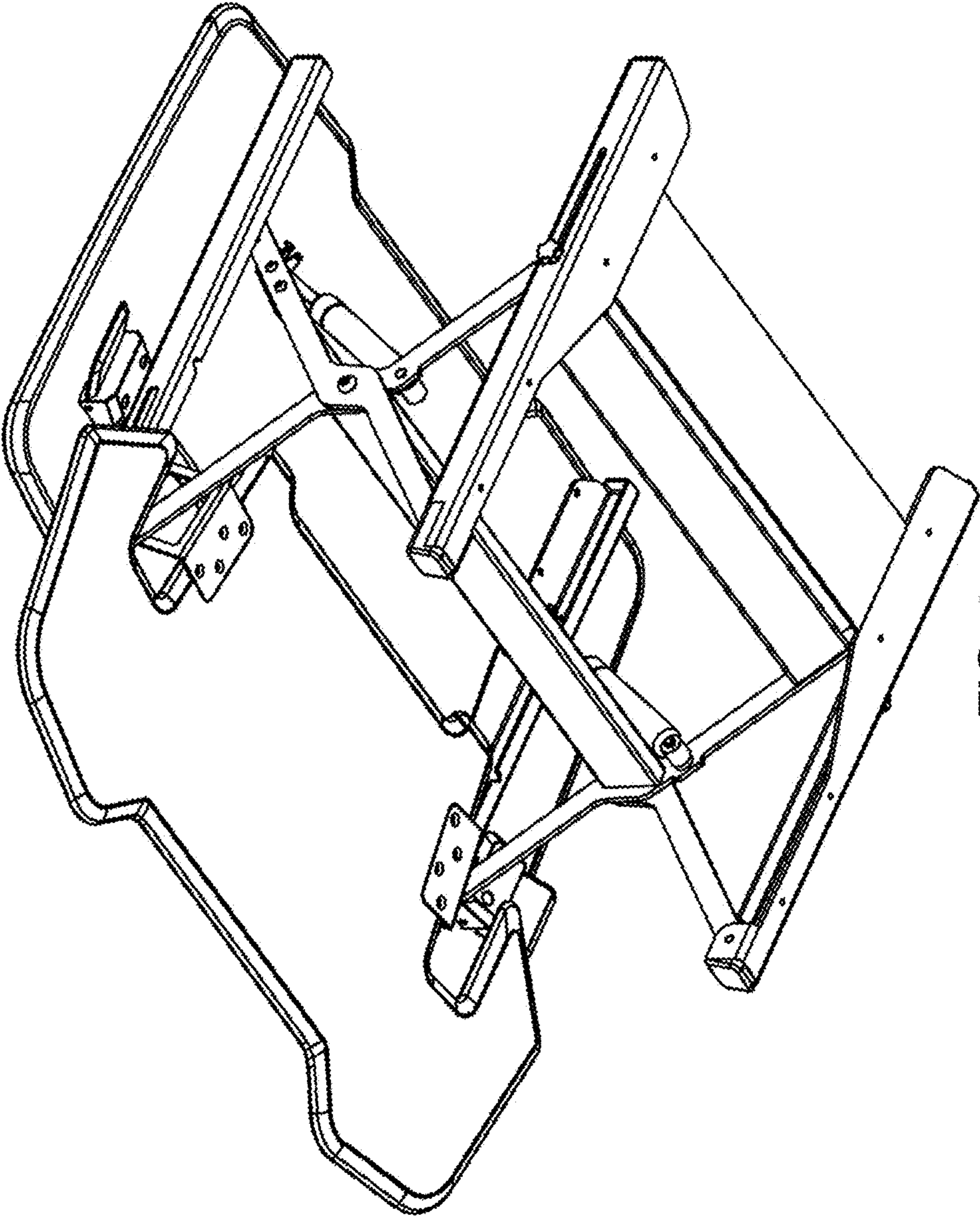


FIG. 8