

US00D830738S

(12) **United States Design Patent** (10) **Patent No.:** **US D830,738 S**
Thuma et al. (45) **Date of Patent:** **** Oct. 16, 2018**

(54) **CABINET RISER**
(71) Applicant: **Suncast Technologies, LLC**, Palm Beach Gardens, FL (US)
(72) Inventors: **Michael Thuma**, La Grange, IL (US); **Torrence Anderson**, Overland Park, KS (US); **Brian C. Donnelly**, Naperville, IL (US)

D694,557 S * 12/2013 Rodgers D6/675
D728,281 S * 5/2015 Heirakuji D6/675
D753,419 S * 4/2016 Heirakuji D6/675
D765,450 S * 9/2016 Biddle D6/691
D776,966 S * 1/2017 Stauss D6/705
D779,500 S * 2/2017 Miller D14/451
D781,086 S * 3/2017 Velez D6/656
D788,506 S * 6/2017 Choi D6/705.7
2009/0038983 A1 * 2/2009 Kieffer A47B 96/028
206/557

(Continued)

(73) Assignee: **Suncast Technologies, LLC**, Palm Beach Gardens, FL (US)

(**) Term: **15 Years**

(21) Appl. No.: **29/568,954**

(22) Filed: **Jun. 22, 2016**

(51) **LOC (11) Cl.** **06-03**

(52) **U.S. Cl.**
USPC **D6/652.1**

(58) **Field of Classification Search**
USPC D6/652, 656, 675, 675.1, 691, 691.8, D6/699.5, 705, 707.15; 206/557; 211/90.04; 297/330; D14/451
CPC A47B 45/00; A47B 57/00; A47B 3/06; A47B 11/00; A47B 47/00; A47B 47/0091; A47B 87/02; A47B 87/0215
See application file for complete search history.

(56) **References Cited**

U.S. PATENT DOCUMENTS

D303,190 S * 9/1989 Suttles D6/699.5
D361,453 S * 8/1995 Sussman D6/675.1
D407,247 S * 3/1999 Brezney D6/675
D448,585 S * 10/2001 Petri D6/652
D497,063 S * 10/2004 Dardashti A47B 7/0075
D6/675.1
D591,090 S * 4/2009 Judkins D6/691.8
D615,785 S * 5/2010 Goldberg A47B 17/033
D6/707.15
D693,610 S * 11/2013 Denby D6/675

OTHER PUBLICATIONS

Home Depot [online] found on Nov. 7, 2017 from URL <https://www.homedepot.com/p/Suncast-Patio-Storage-and-Prep-Station-BMPS6400/300496516> (Year: 2017).*

Primary Examiner — Robin V Webster

Assistant Examiner — Keith J Wilson

(74) *Attorney, Agent, or Firm* — McHale & Slavin, P.A.

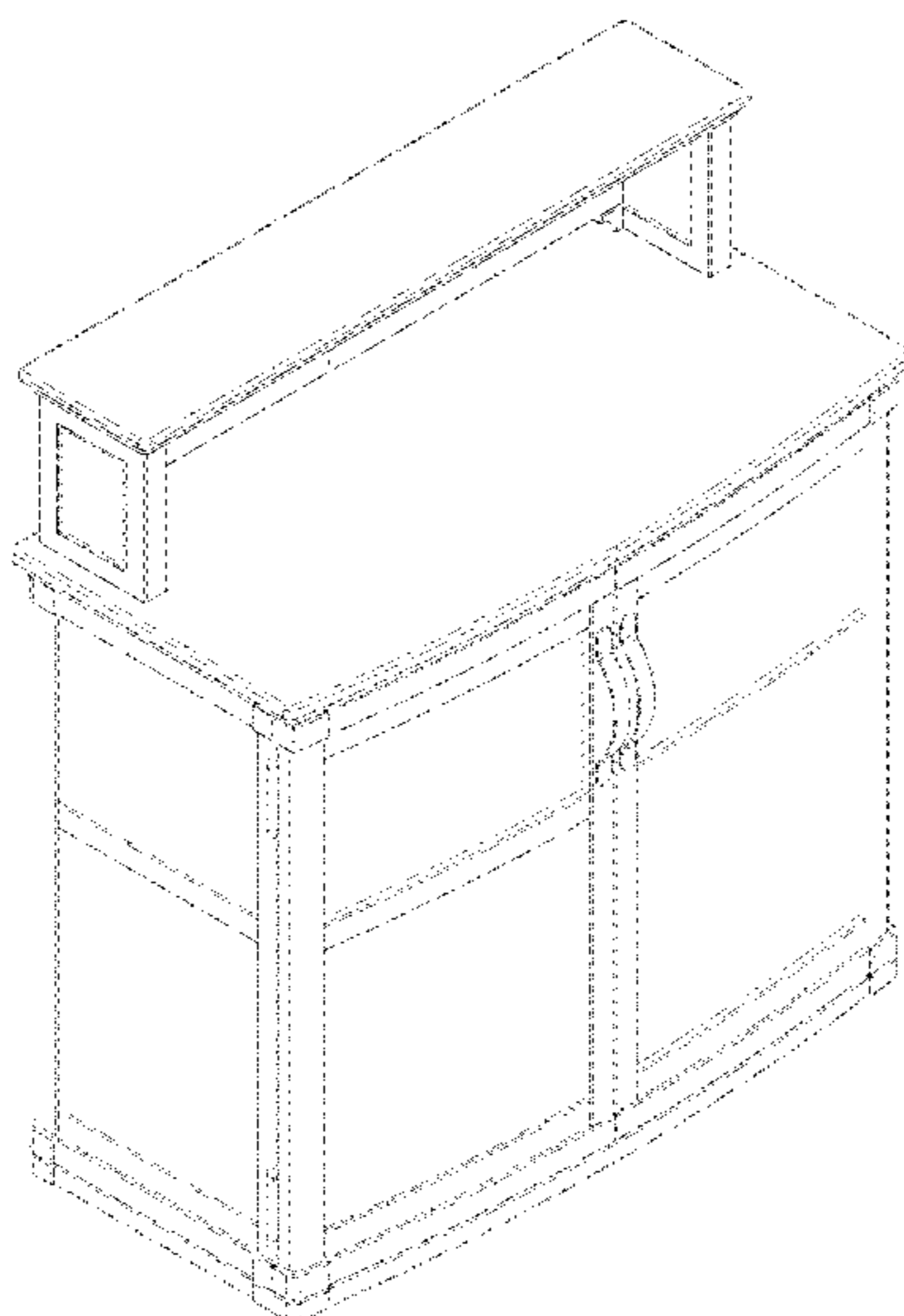
(57) **CLAIM**

The ornamental design for a cabinet riser, as shown and described.

DESCRIPTION

FIG. 1 is a top right isometric view of a cabinet riser showing my new design;
FIG. 2 is a right side view thereof;
FIG. 3 is a left side view thereof;
FIG. 4 is a front view thereof;
FIG. 5 is a rear view thereof;
FIG. 6 is a top view thereof;
FIG. 7 is a top left rear isometric view thereof; and,
FIG. 8 is a top left isometric view thereof.
The portions of the cabinet riser illustrated in broken lines form no part of the claim for the cabinet riser.
The portions of the figures illustrated in dash-dot lines show boundaries for the unclaimed portions of the cabinet riser.

1 Claim, 8 Drawing Sheets



(56)

References Cited

U.S. PATENT DOCUMENTS

2012/0132602 A1* 5/2012 Millspaugh A47K 1/09
211/90.04
2015/0196115 A1* 7/2015 Favaro A47B 3/0803
297/330

* cited by examiner

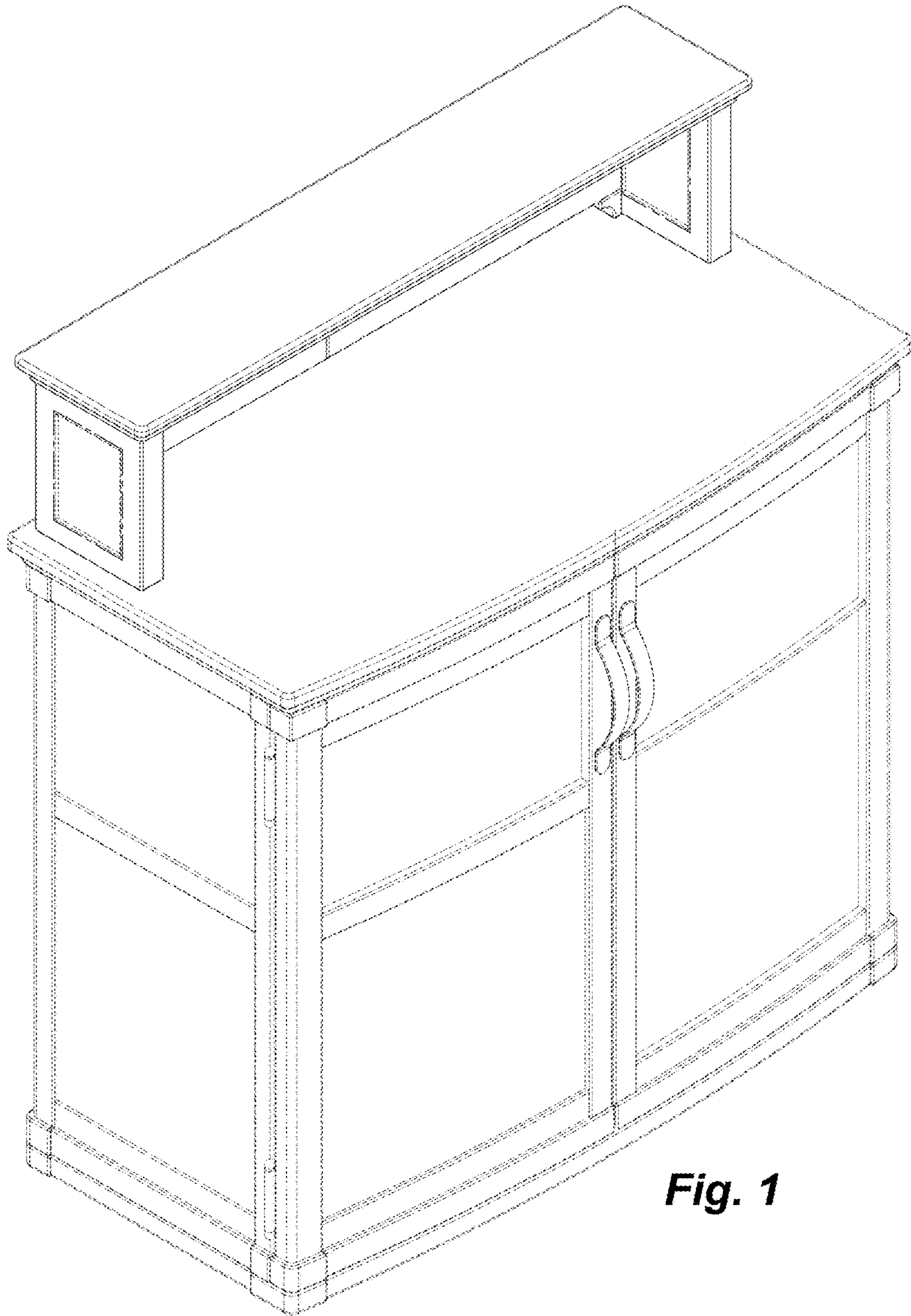


Fig. 1

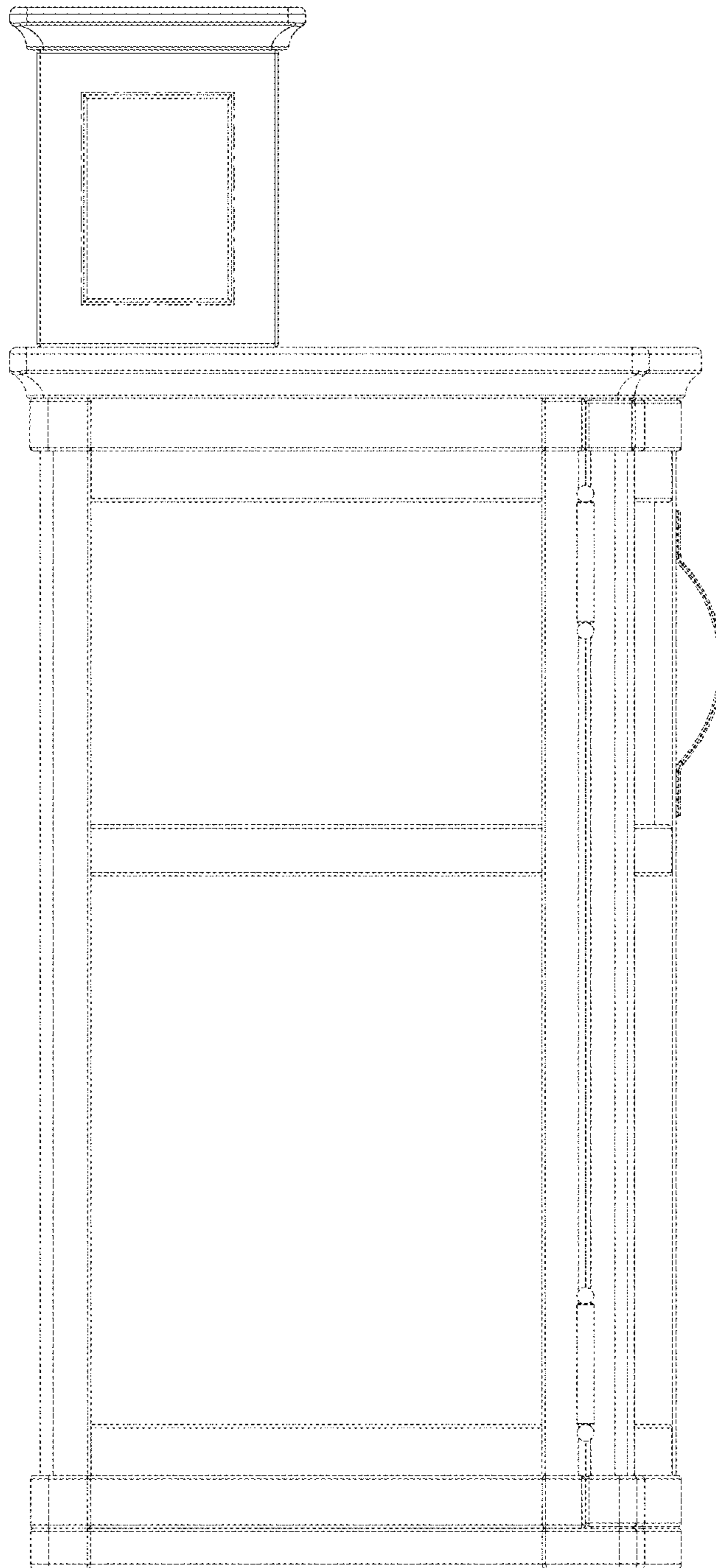


Fig. 2

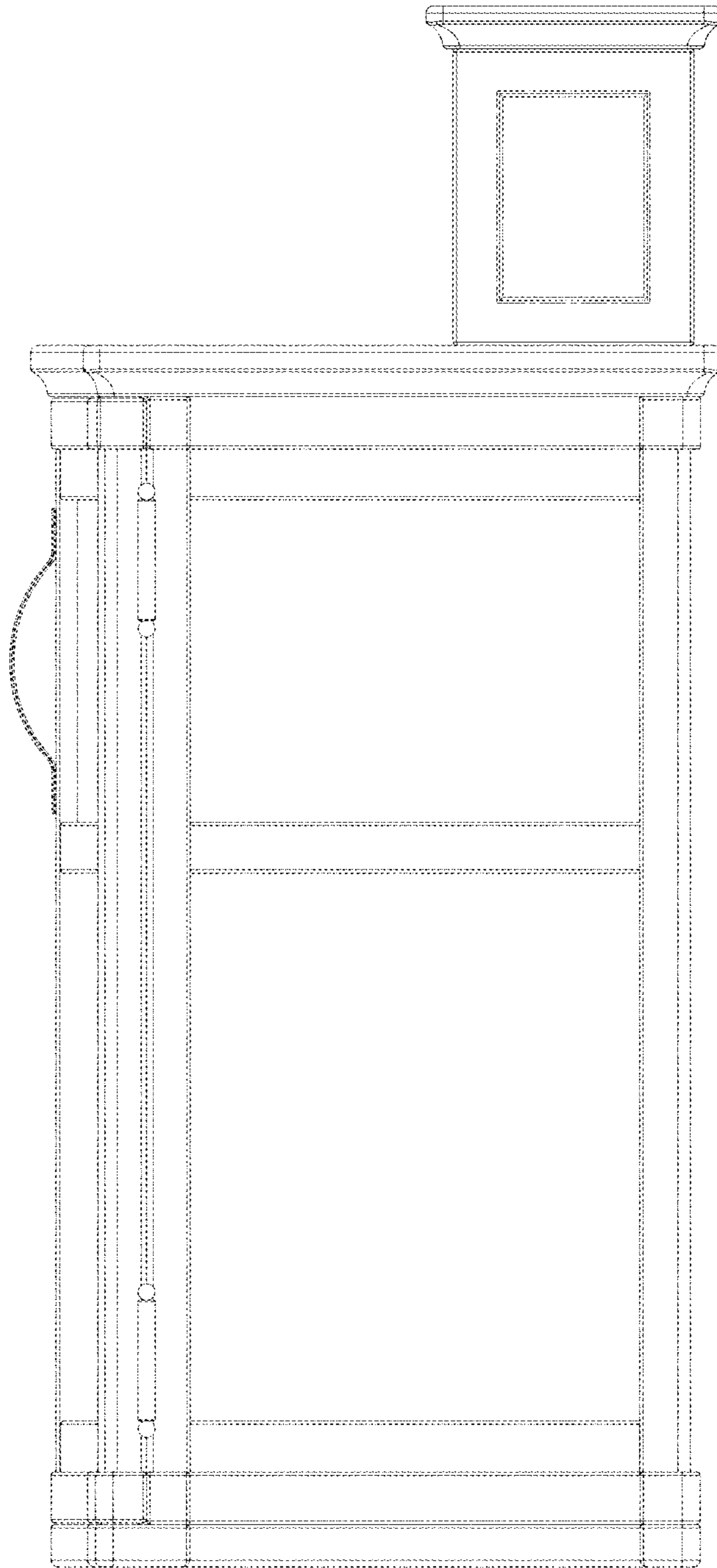


Fig. 3

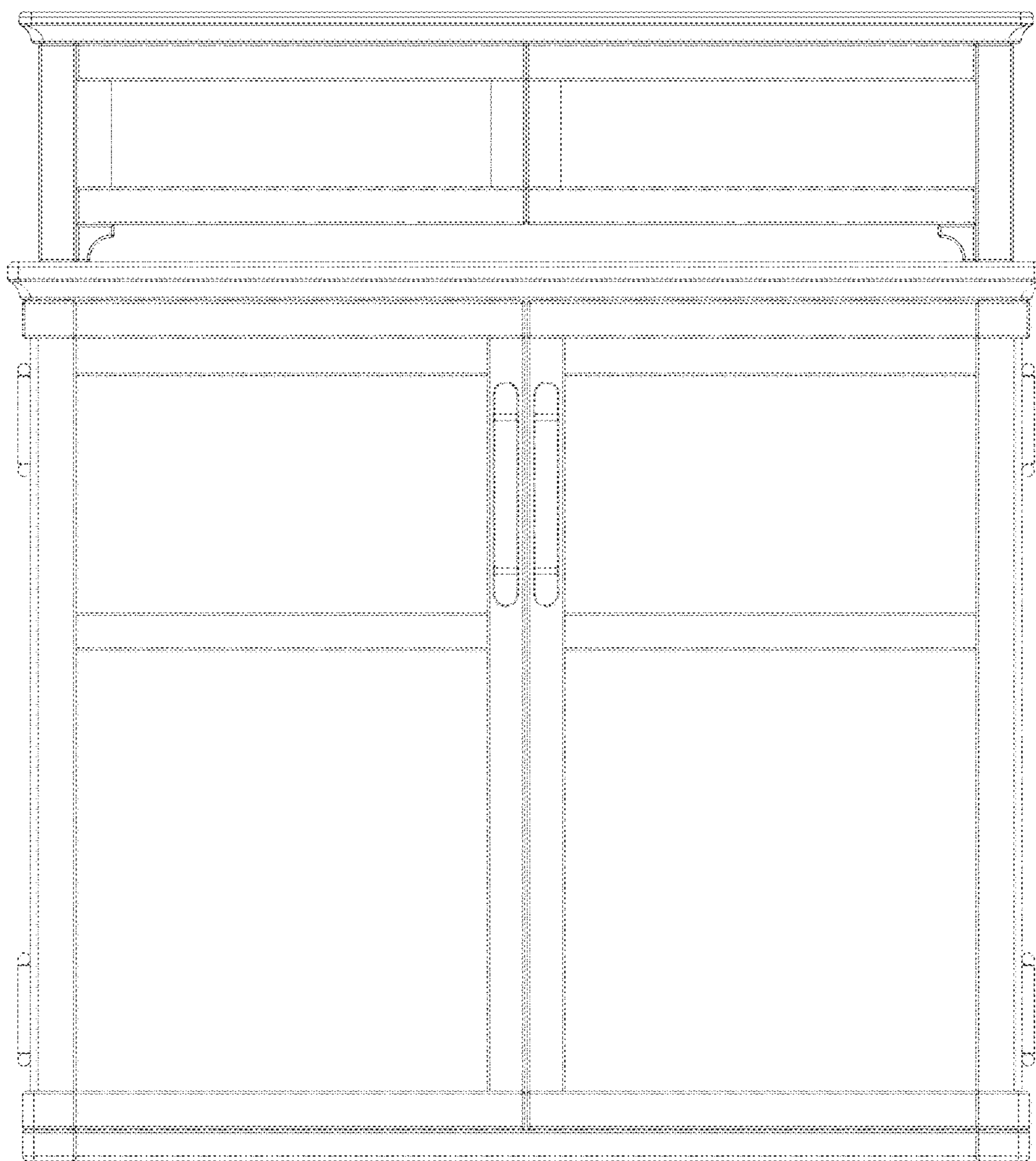


Fig. 4

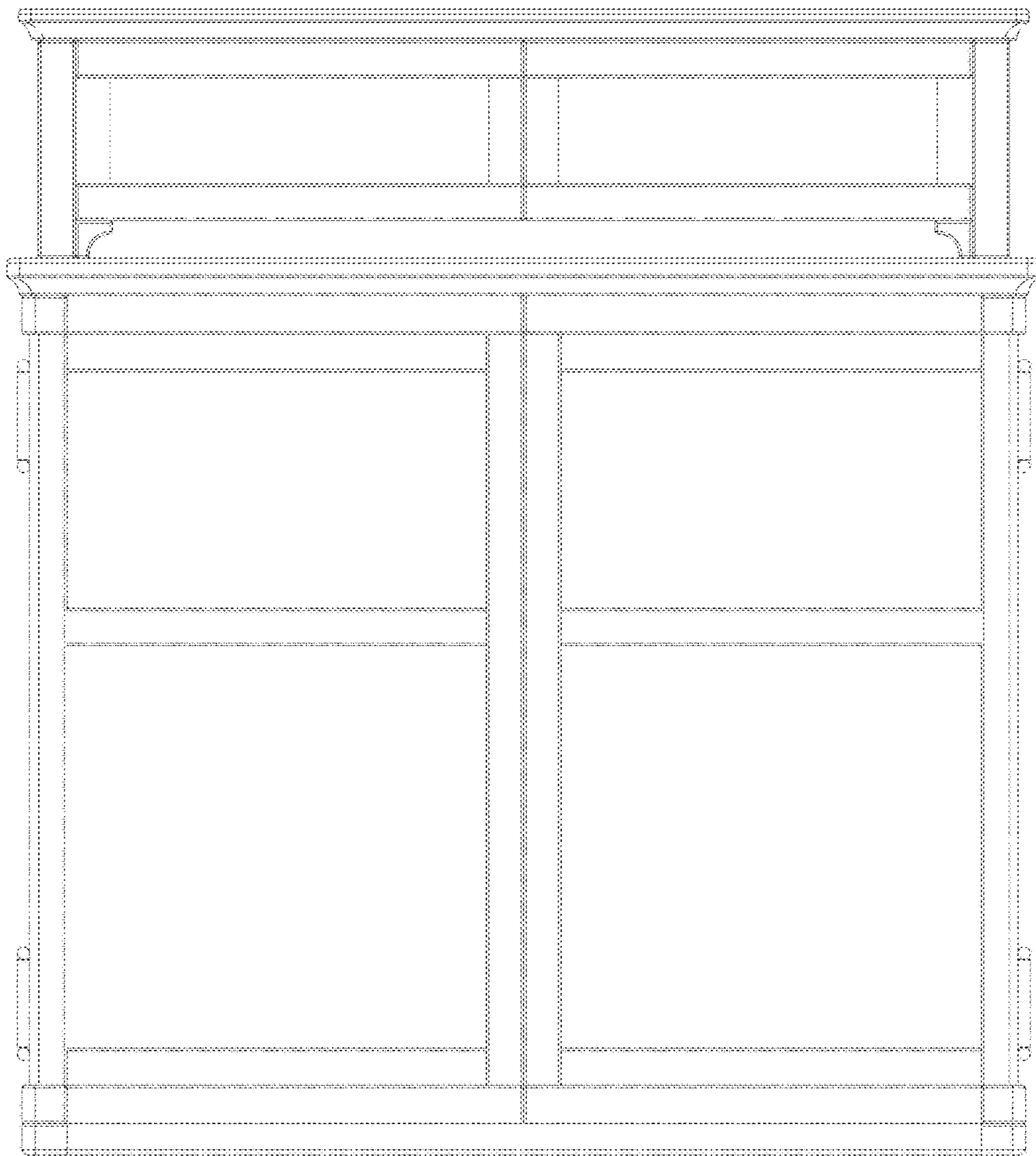


Fig. 5

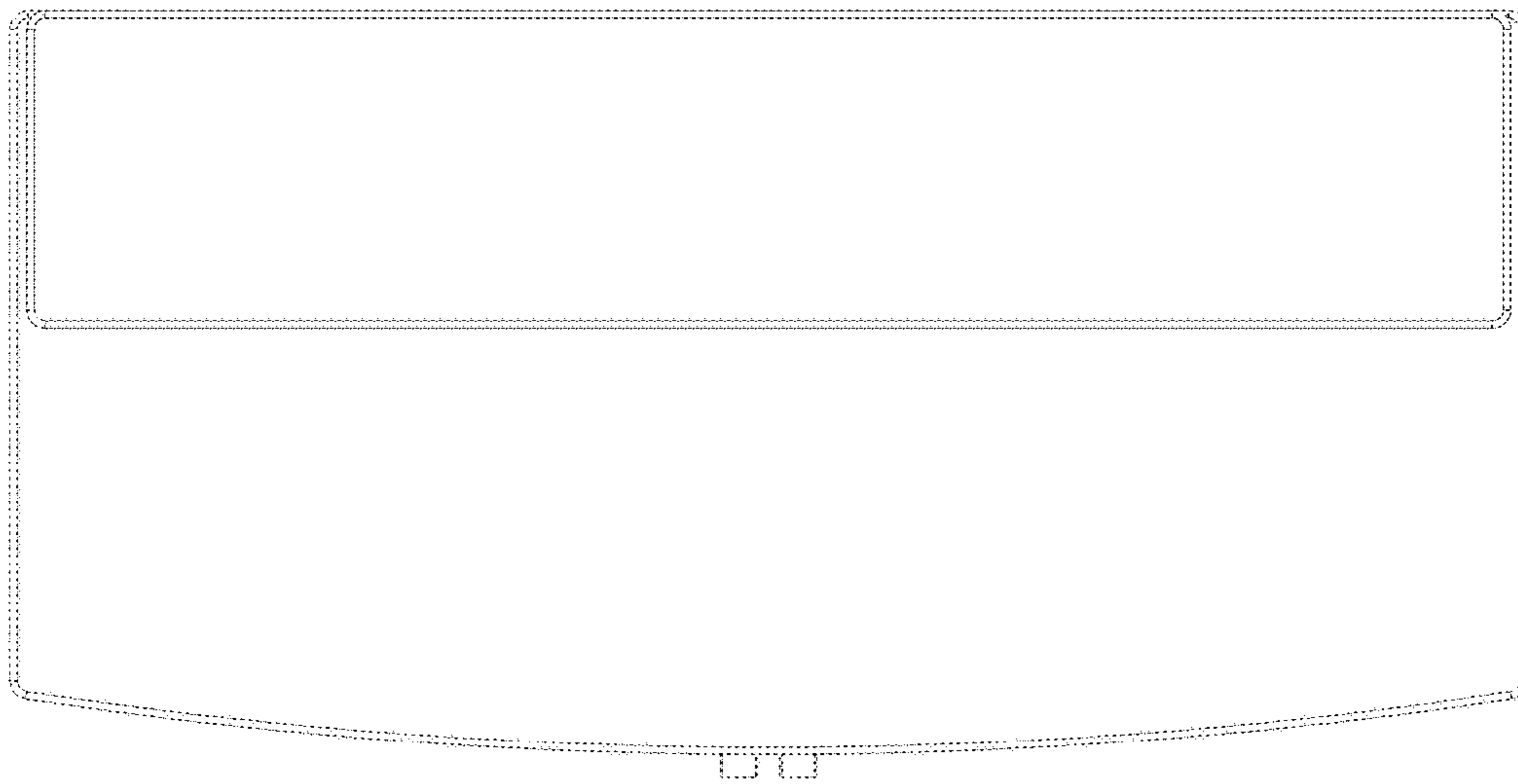


Fig. 6

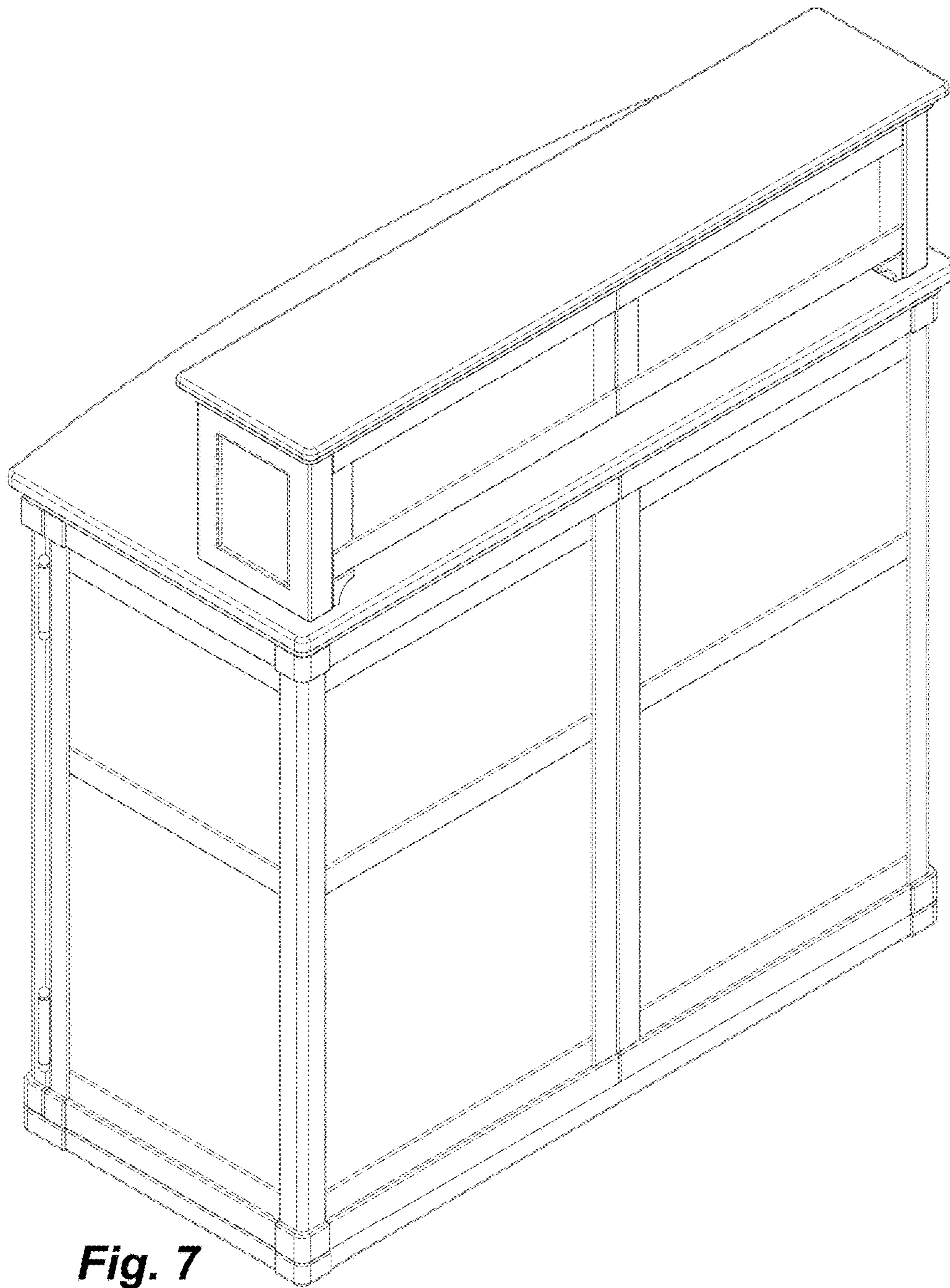


Fig. 7

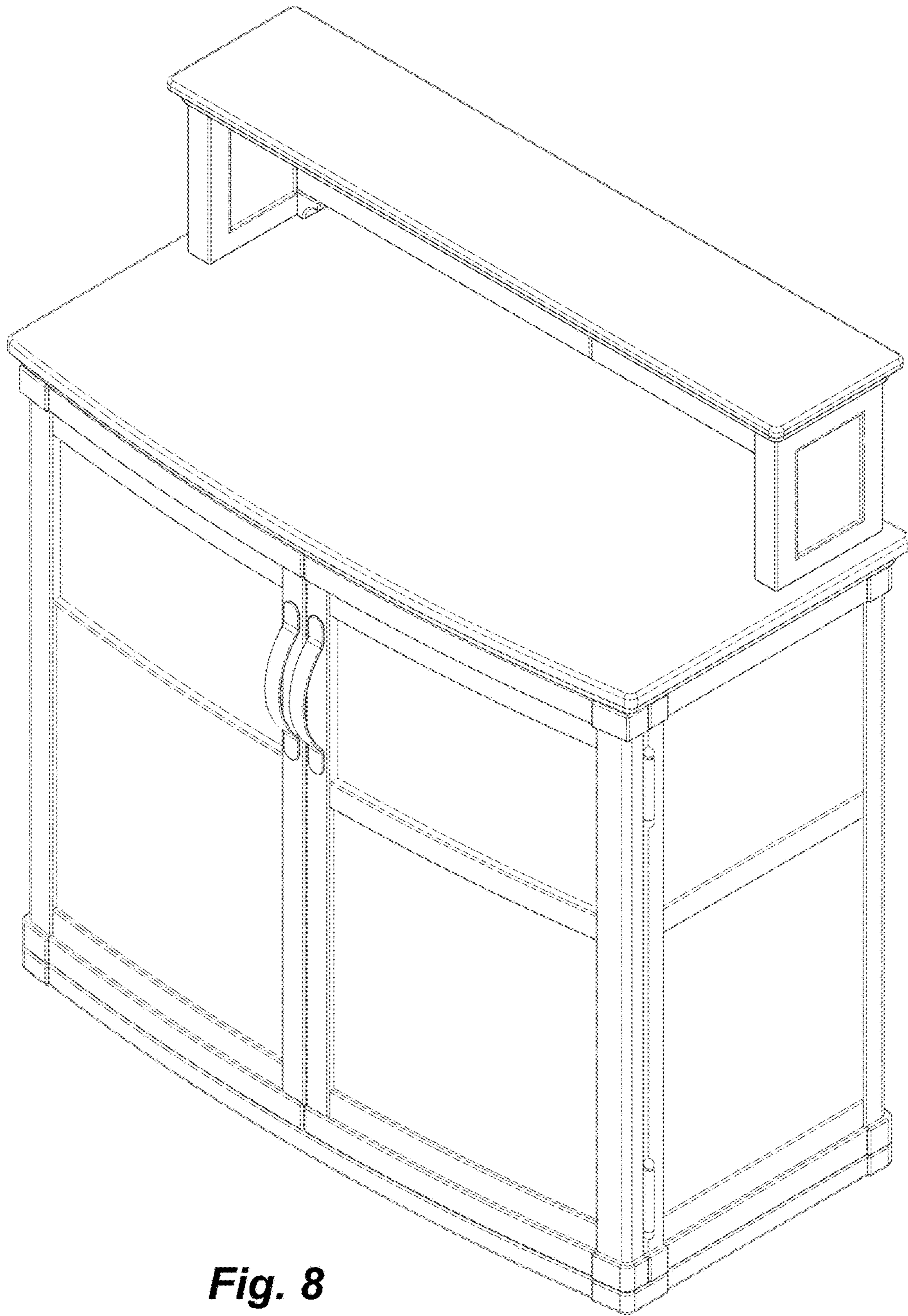


Fig. 8