

US00D830734S

(12) **United States Design Patent** (10) **Patent No.:** **US D830,734 S**
Jerome-Miller et al. (45) **Date of Patent:** **** Oct. 16, 2018**

(54) **PILLOW HAVING HEART-SHAPED CUTOUTS**

(71) Applicant: **Sleepeze, LLC**, Tamarac, FL (US)

(72) Inventors: **Stacey Jerome-Miller**, Fort Lauderdale, FL (US); **Ronald Anthony DeMarco**, Fort Lauderdale, FL (US)

(73) Assignee: **Stacey Miller**, Tamarac, FL (US)

(**) Term: **15 Years**

(21) Appl. No.: **29/635,305**

(22) Filed: **Jan. 30, 2018**

(51) **LOC (11) Cl.** **06-09**

(52) **U.S. Cl.**
USPC **D6/601**

(58) **Field of Classification Search**
USPC D6/601, 300, 303, 304, 307-309, 595, D6/596, 597, 603, 604, 606, 675, 599; D11/56, 103, 131-133; D14/251; D20/28-30; D21/794; 5/613, 617, 621, 5/622, 630, 632, 636, 637, 652, 665, 733, 5/431, 436, 434, 593, 734; 40/773; 428/67; D15/143; D30/118; D24/183; D23/367
CPC A47G 9/10; A47G 9/1009; A47G 9/1018; A47G 9/1027; A47G 9/1036; A47G 9/1045; A47G 9/1063; A47G 9/1072; A47G 9/1081; A47G 9/109; A47C 7/021; A47C 27/00
See application file for complete search history.

(56) **References Cited**

U.S. PATENT DOCUMENTS

4,908,893 A 3/1990 Smit
D375,428 S * 11/1996 Gall D3/234
D437,696 S * 2/2001 Aki D6/303

D446,277 S * 8/2001 Tate D21/794
6,408,468 B1 6/2002 Comfort
D473,413 S * 4/2003 Huang D6/601
D474,364 S 5/2003 Arcieri
D479,937 S * 9/2003 Harrelson D6/601
6,629,324 B1 10/2003 Shapiro
D529,746 S * 10/2006 Soleymani D6/601
D669,391 S * 10/2012 Cadigan D11/133
9,289,082 B1 3/2016 White et al.
D816,374 S * 5/2018 Potter D6/601

* cited by examiner

Primary Examiner — Wan Laymon
Assistant Examiner — Mark Booker

(74) *Attorney, Agent, or Firm* — The Concept Law Group, PA; Scott M. Garrett

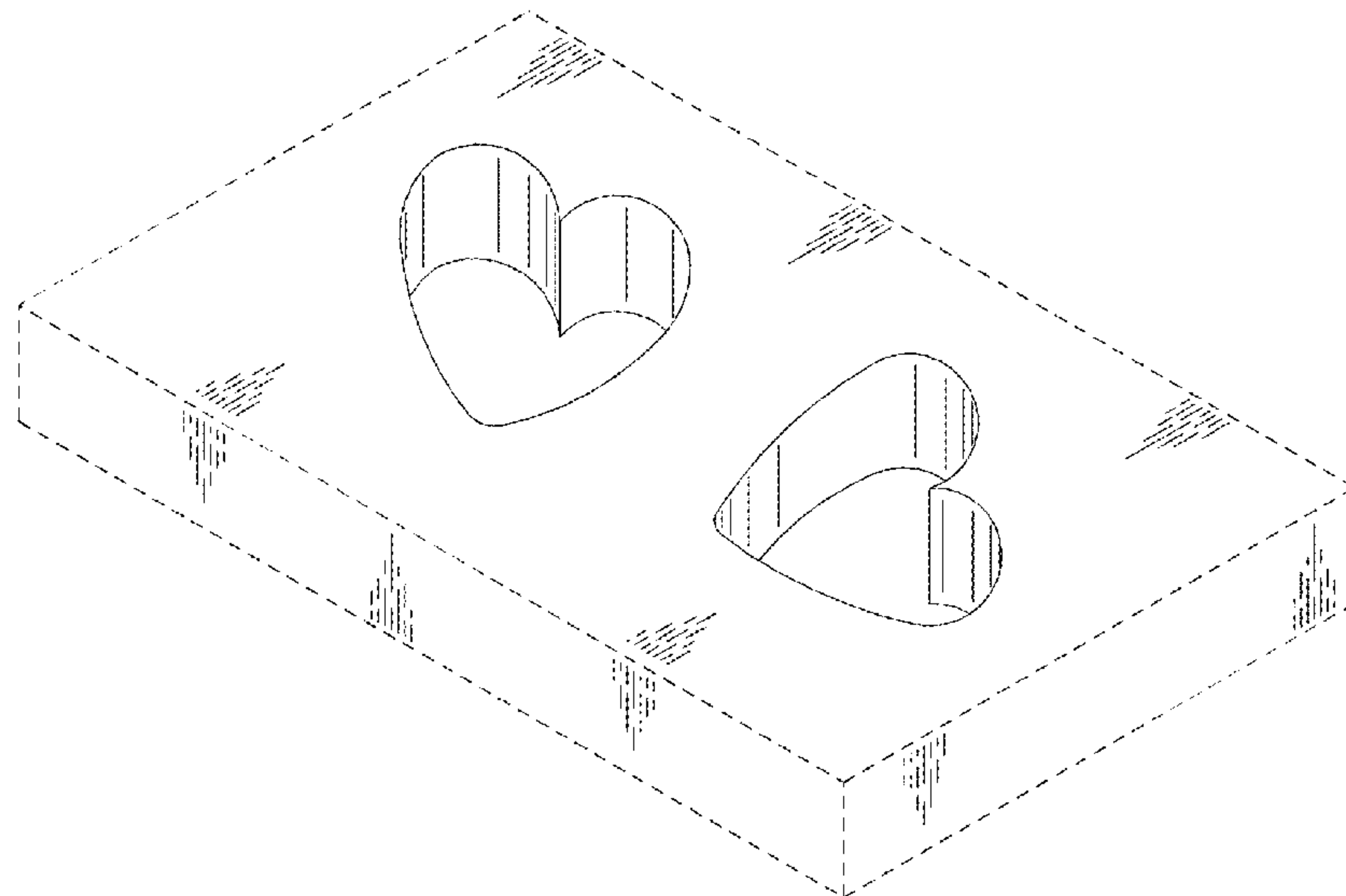
(57) **CLAIM**

The ornamental design for a pillow having heart-shaped cutouts, as shown and described.

DESCRIPTION

FIG. 1 is a perspective view of a pillow having heart-shaped cutouts showing our new design;
FIG. 2 is a top plan view of the pillow having heart-shaped cutouts shown in FIG. 1;
FIG. 3 is a bottom plan view of the pillow having heart-shaped cutouts shown in FIG. 1;
FIG. 4 is a front view of the pillow having heart-shaped cutouts shown in FIG. 1;
FIG. 5 is a rear view of the pillow having heart-shaped cutouts shown in FIG. 1;
FIG. 6 is a right side view of the pillow having heart-shaped cutouts shown in FIG. 1; and,
FIG. 7 is a left side view of the pillow having heart-shaped cutouts shown in FIG. 1.
The broken lines shown in the figures represent portions of the pillow having heart-shaped cutouts that form no part of the claimed design.

1 Claim, 3 Drawing Sheets



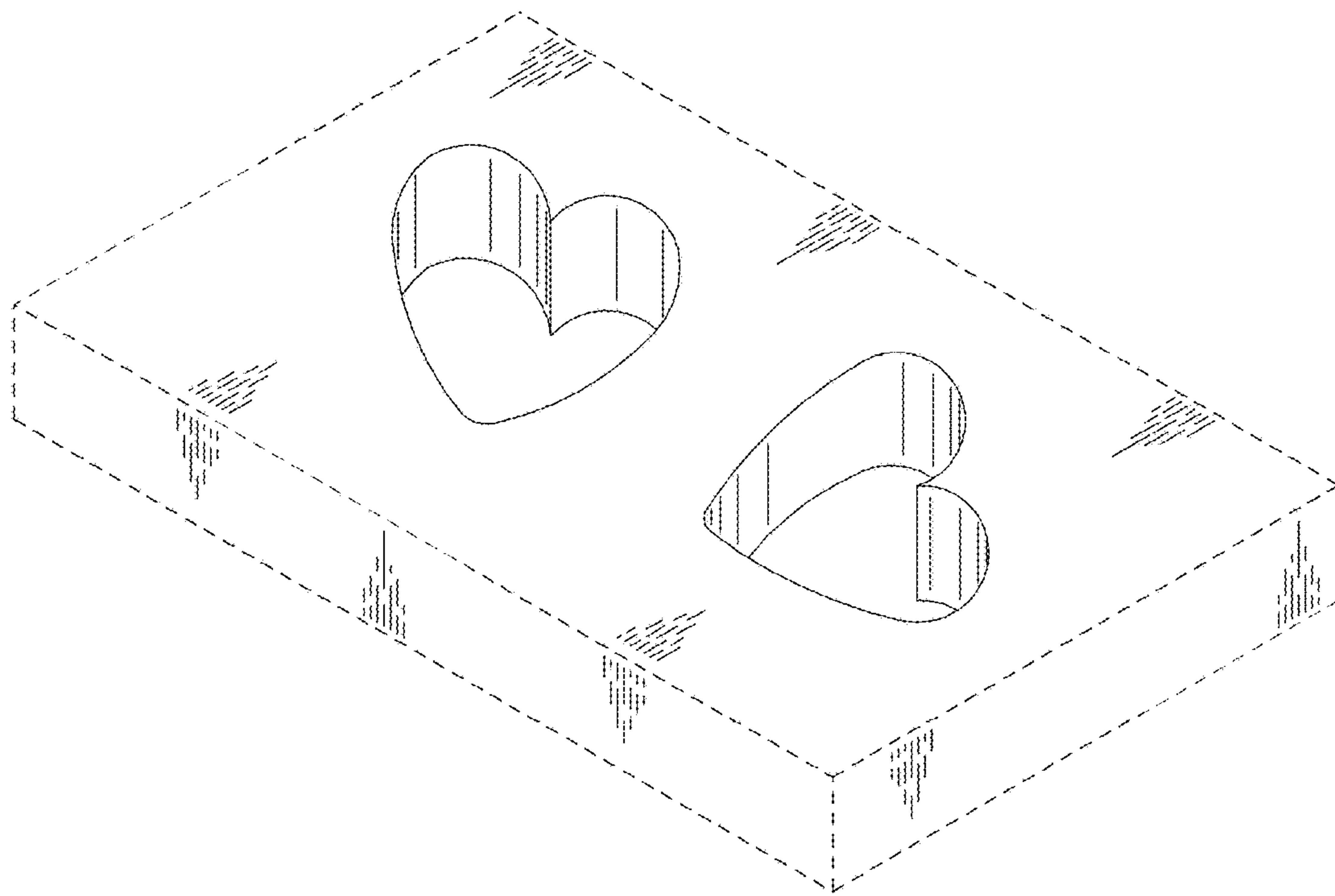


FIG. 1

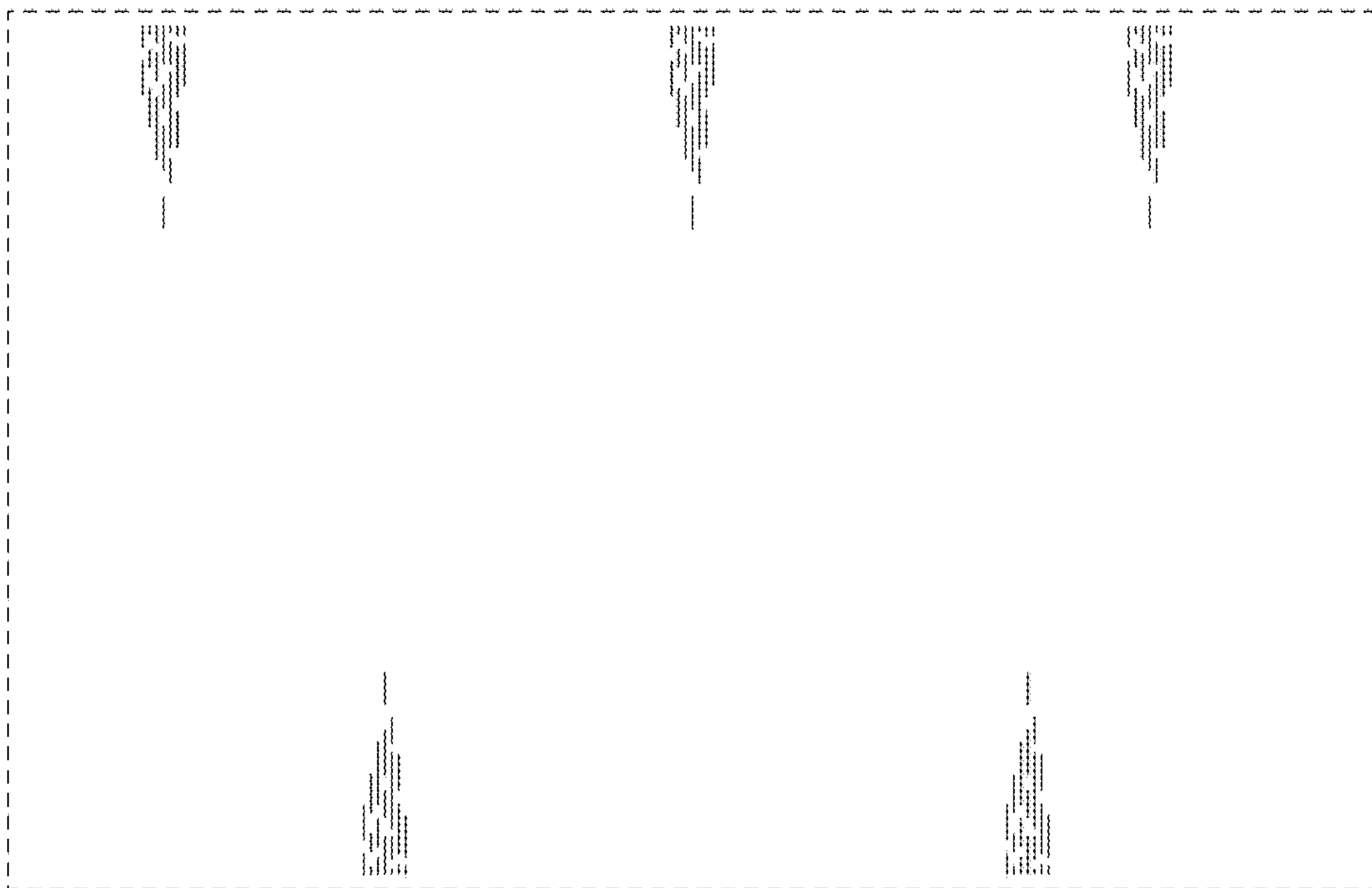


FIG. 2

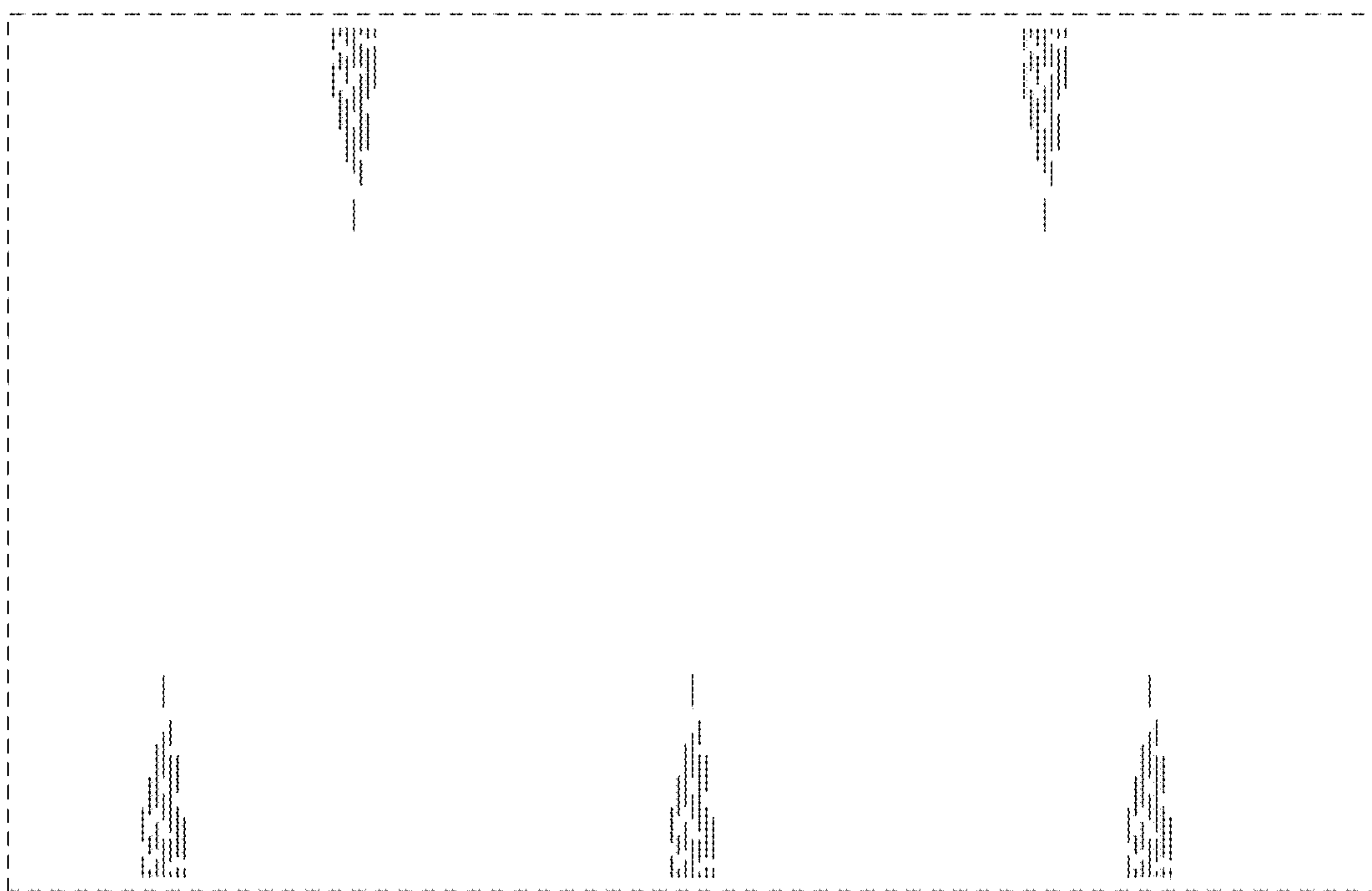


FIG. 3

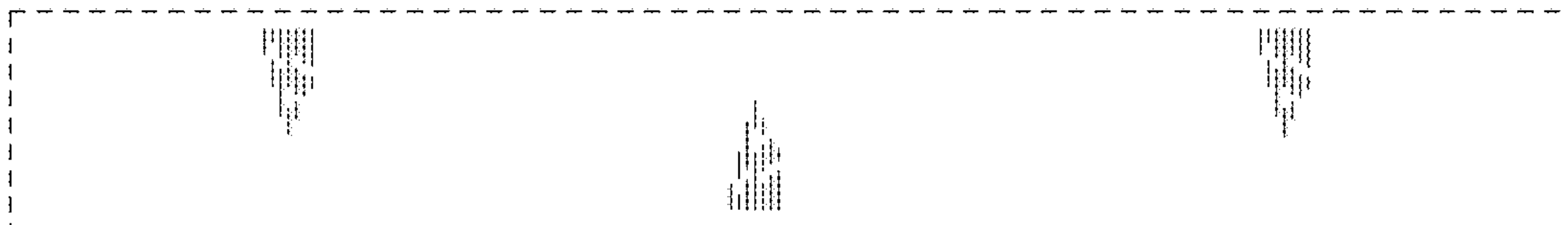


FIG. 4

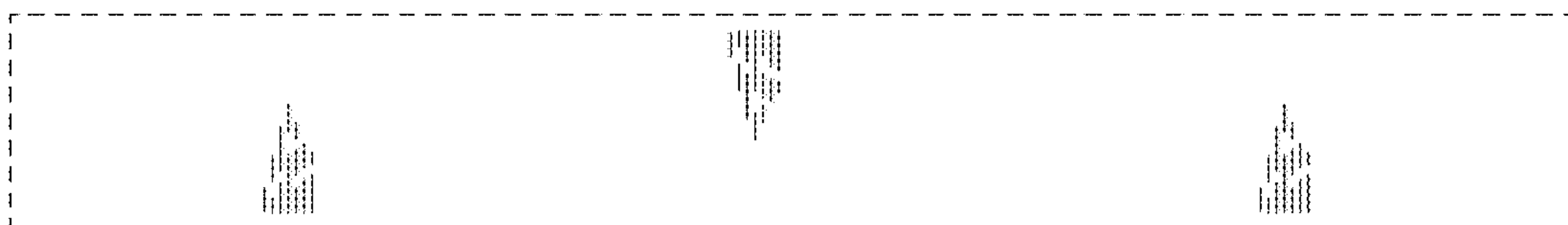


FIG. 5

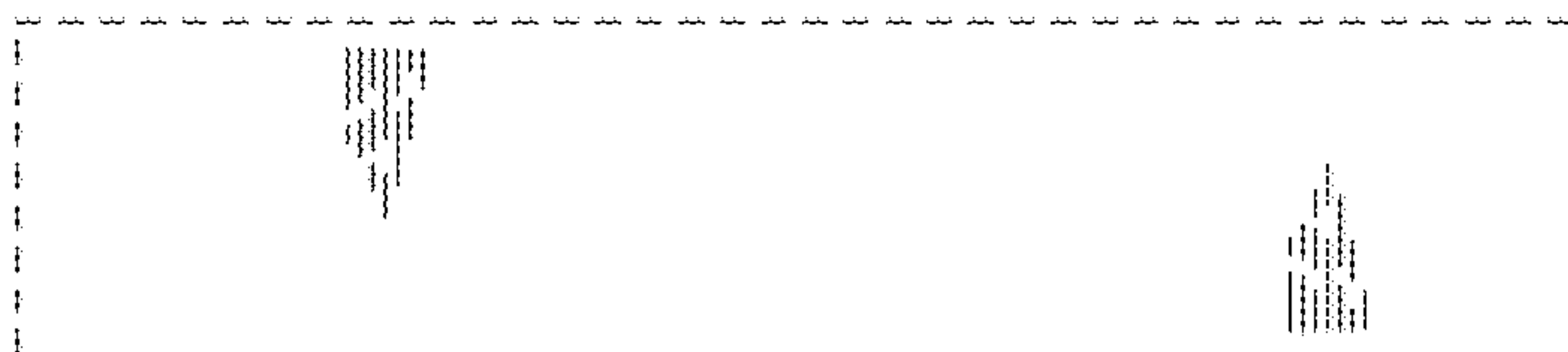


FIG. 6

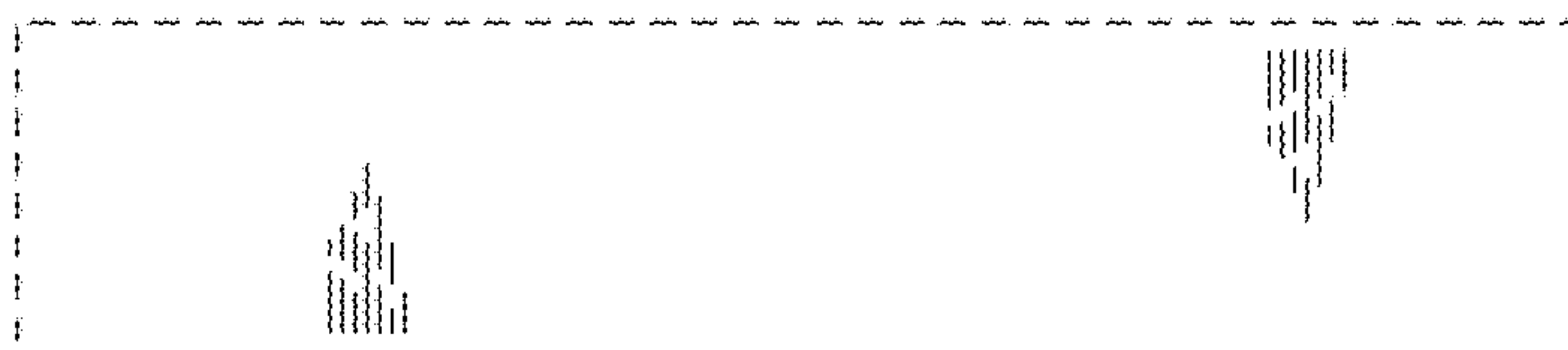


FIG. 7