



US00D830724S

(12) **United States Design Patent** (10) **Patent No.:** **US D830,724 S**  
**Scribner** (45) **Date of Patent:** **\*\* Oct. 16, 2018**

(54) **WORK AREA CURTAIN**  
(71) Applicant: **Car-O-Liner Company**, Wixom, MI (US)  
(72) Inventor: **David M. Scribner**, Pinckney, MI (US)  
(73) Assignee: **CAR-O-LINER COMPANY**, Wixom, MI (US)  
(\*\*) Term: **15 Years**

(21) Appl. No.: **29/582,876**  
(22) Filed: **Oct. 31, 2016**  
(51) **LOC (11) Cl.** ..... **06-10**  
(52) **U.S. Cl.**  
USPC ..... **D6/575**; D26/51; D6/578  
(58) **Field of Classification Search**  
USPC ..... D6/575-579, 581-583, 617; D11/165;  
D25/48.4, 48.7, 164; D20/42; D23/283;  
D26/25, 51; D32/4; D2/573, 973  
CPC . A47H 1/04; A47H 1/13; A47H 13/14; A47H 13/16; A47H 21/00; A47H 23/00; A47H 23/02; A47H 23/05; A47H 23/10; G09F 19/22; E06B 3/7001; E06B 9/00; E06B 9/04  
See application file for complete search history.

(56) **References Cited**  
U.S. PATENT DOCUMENTS  
2,249,927 A \* 7/1941 Abramson ..... E06B 3/7001  
160/128  
3,035,275 A \* 5/1962 Strebeigh ..... A47K 3/38  
160/237  
4,961,454 A \* 10/1990 Reilly, Jr. .... E06B 3/481  
160/118  
5,107,917 A \* 4/1992 Larsson ..... E06B 9/13  
160/229.1  
D428,266 S \* 7/2000 Bergin ..... D5/60  
6,394,171 B1 \* 5/2002 Robbins, III ..... E06B 3/80  
160/184

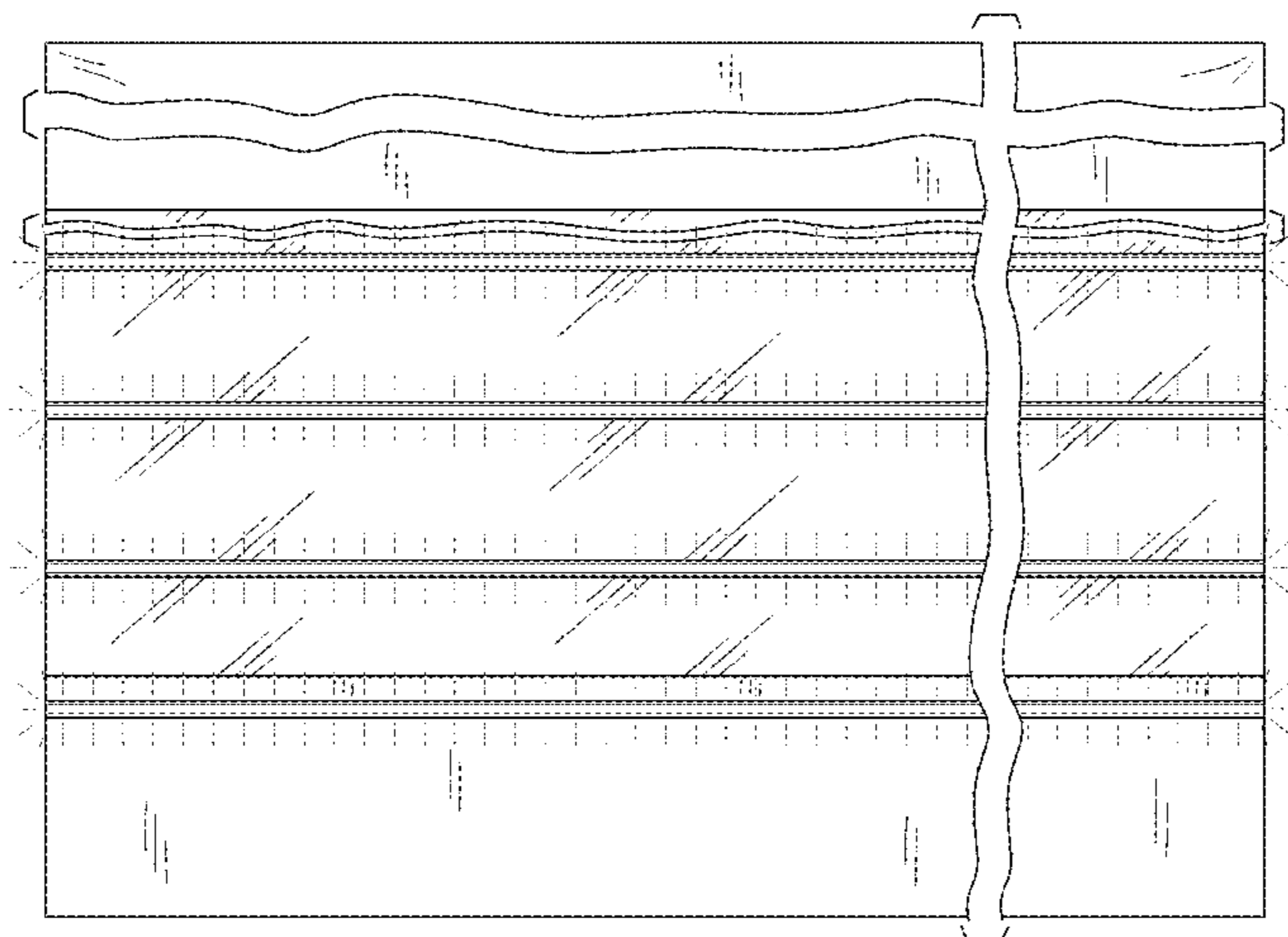
D568,662 S \* 5/2008 Bohlen ..... D6/575  
D677,095 S \* 3/2013 Robbins, III ..... D6/577  
D679,439 S \* 4/2013 Lai ..... D26/75  
D686,432 S \* 7/2013 Colledge ..... D6/575  
9,204,749 B1 \* 12/2015 Trapani ..... A47H 23/08  
2008/0251221 A1 \* 10/2008 Park ..... A47H 23/02  
160/330  
2010/0243181 A1 \* 9/2010 O'Connor ..... A47K 3/38  
160/236  
2014/0130249 A1 \* 5/2014 Krumm ..... A47K 3/38  
4/608

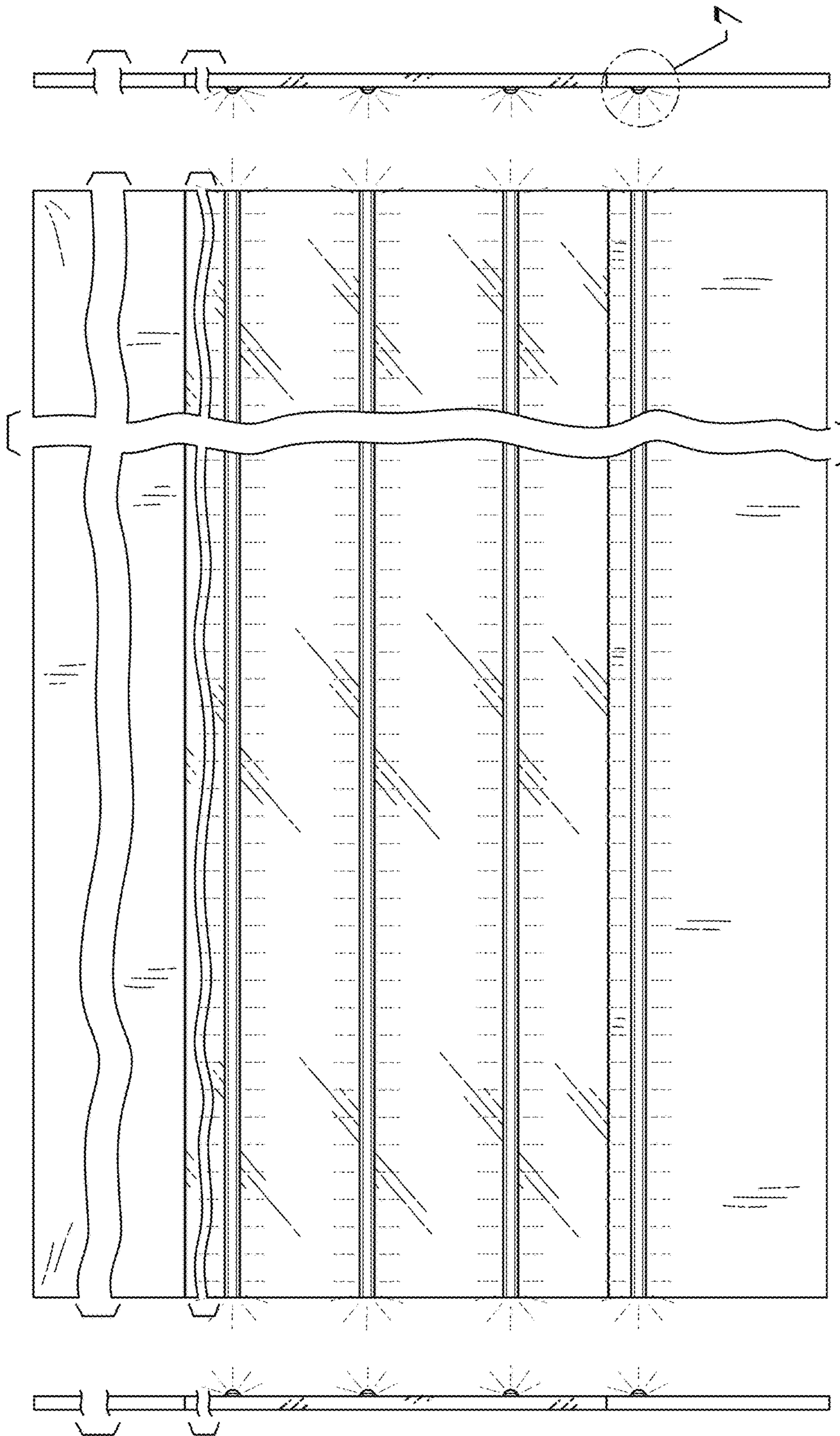
\* cited by examiner  
*Primary Examiner* — Shannon W Morgan  
*Assistant Examiner* — Clare Ann Gannon  
(74) *Attorney, Agent, or Firm* — Reising Ethington PC

(57) **CLAIM**  
The ornamental design for a work area curtain, as shown and described.

**DESCRIPTION**  
FIG. 1 is a front elevational view of a work area curtain showing my new design;  
FIG. 2 is a left side elevational view thereof;  
FIG. 3 is a right side elevational view thereof;  
FIG. 4 is a back elevational view thereof;  
FIG. 5 is a top plan view thereof;  
FIG. 6 is a bottom plan view thereof; and,  
FIG. 7 is an enlarged and fragmentary right side elevational view of the encircled portion of FIG. 6 showing an exemplary one of the rows of lights with an overlying transparent cover.  
The work area curtain is shown with a symbolic break in the length and height. The appearance of any portion of the article between the break lines forms no part of the claimed design.  
The dashed lines in the drawings depict environment, including illumination, and form no part of the claimed design.

**1 Claim, 3 Drawing Sheets**



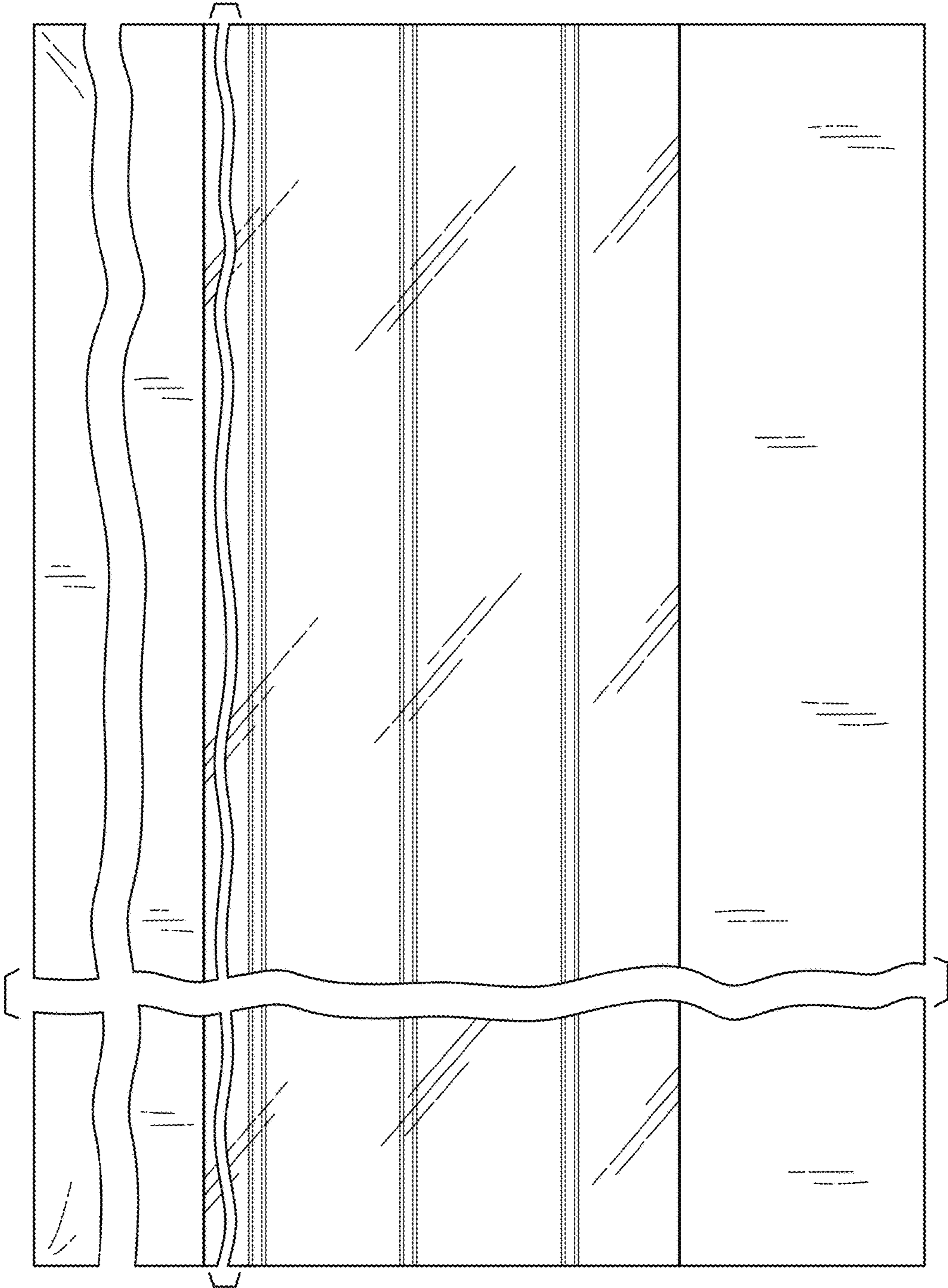


**FIG. 3**

**FIG. 1**

**FIG. 2**

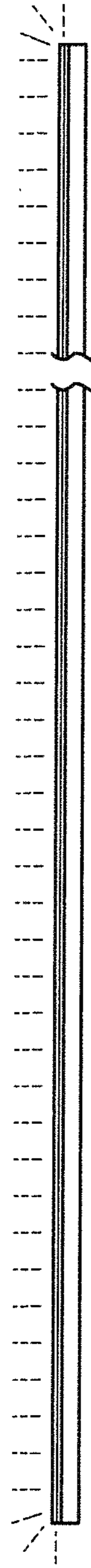




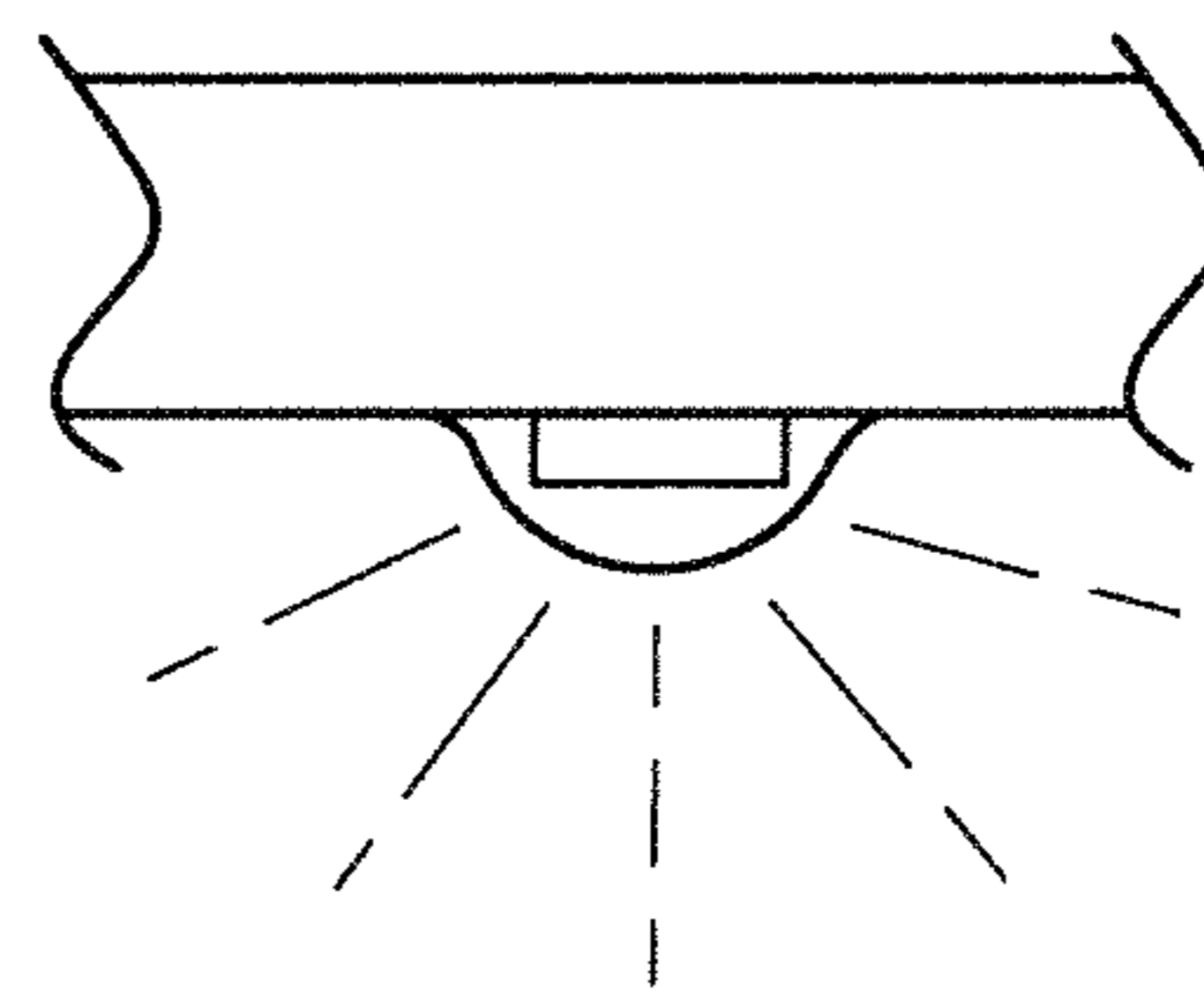
**FIG. 4**



**FIG. 5**



**FIG. 6**



**FIG. 7**