

US00D830722S

(12) **United States Design Patent**  
**Klipshtein**

(10) **Patent No.:** **US D830,722 S**

(45) **Date of Patent:** **\*\* Oct. 16, 2018**

(54) **FOIL DISPENSER**

(71) Applicant: **HUTZLER MANUFACTURING CO., INC.**, Canaan, CT (US)

(72) Inventor: **Guy Klipshtein**, Givatayim (IL)

(73) Assignee: **Hutzler Manufacturing Co., Inc.**, Canaan, CT (US)

(\*\*) Term: **15 Years**

(21) Appl. No.: **29/592,047**

(22) Filed: **Jan. 26, 2017**

(51) **LOC (11) Cl.** ..... **20-02**

(52) **U.S. Cl.**  
USPC ..... **D6/518**

(58) **Field of Classification Search**  
USPC ..... D6/518, 512, 513-515, 519-523;  
D7/589, 601, 600.1-600.3, 631, 669, 672,  
D7/677; D9/734; D34/10; 211/13.1;  
220/908, 909, 403, 404, 407; 221/26, 33,  
221/282-284; 222/129, 173, 180;  
242/270, 590; 248/309.1, 309.2, 905;  
53/549, 567, 576; 206/225, 233, 303,  
206/389, 390, 391, 397, 409  
CPC ..... B65B 7/2807; G07F 13/10; A61J 7/0084;  
A47F 1/10; A47F 1/08; B65D 83/0882;  
B65D 85/672; B65D 85/1009; B65D  
83/0805; A47K 10/44; A47K 10/421  
See application file for complete search history.

(56) **References Cited**

U.S. PATENT DOCUMENTS

D571,135 S *	6/2008	Collado .....	D6/518
D595,075 S *	6/2009	Ramos Peon .....	D6/518
D603,635 S *	11/2009	Krebs .....	D6/518
D604,541 S *	11/2009	Bone .....	D6/518
D625,537 S *	10/2010	Maxwell .....	D6/518
D781,066 S *	3/2017	Janetski .....	D6/518

\* cited by examiner

*Primary Examiner* — Wan Laymon

*Assistant Examiner* — Mark Booker

(74) *Attorney, Agent, or Firm* — Michael J. Striker;  
Elizabeth C. Richter

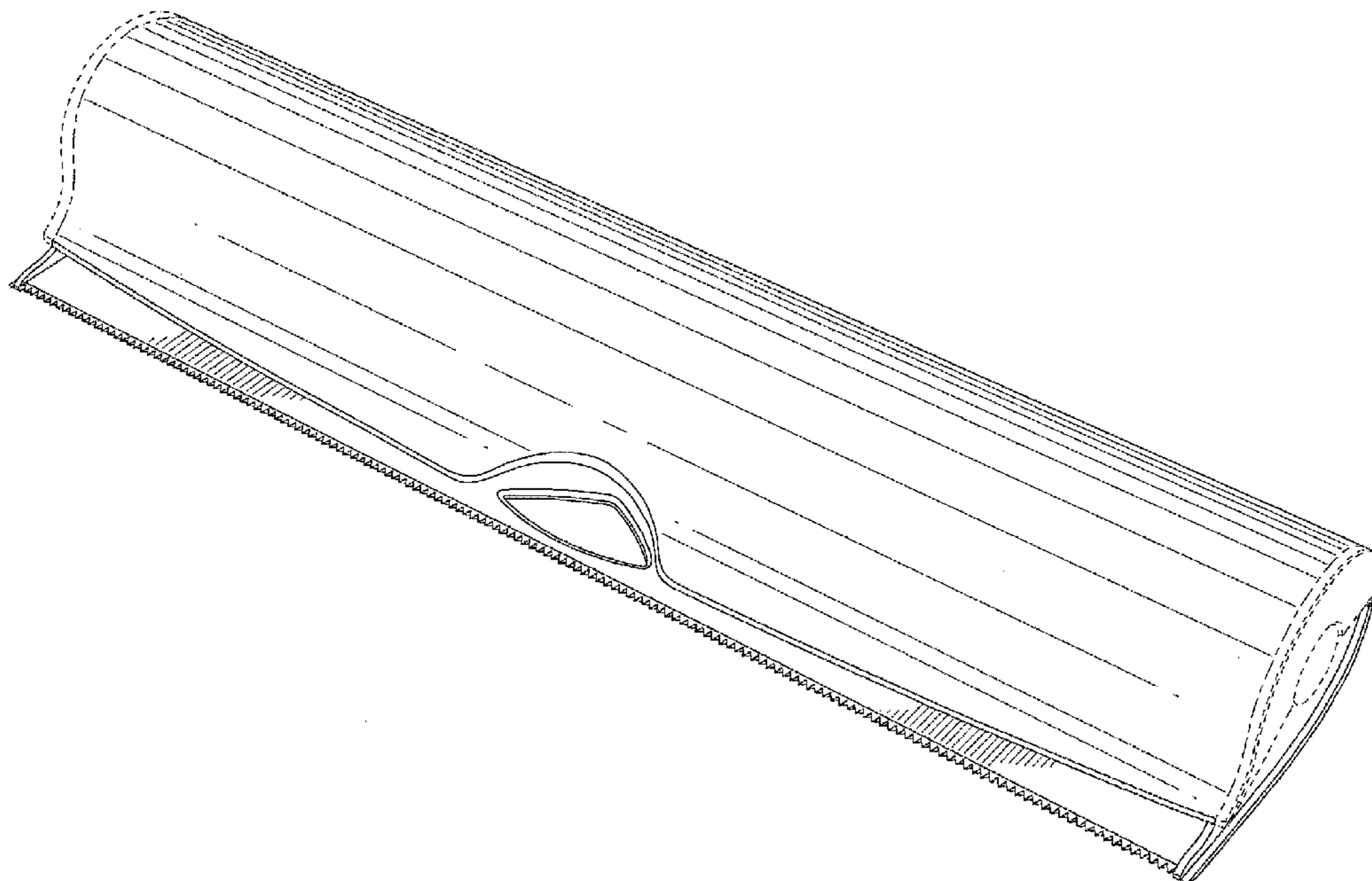
(57) **CLAIM**

The ornamental design for a foil dispenser, as shown and described.

**DESCRIPTION**

FIG. 1 is a ¾ perspective view of a foil dispenser showing my new design;  
FIG. 2 is a front elevational view thereof;  
FIG. 3 is a rear elevational view thereof;  
FIG. 4 is a left side elevational view thereof;  
FIG. 5 is a right side elevational view thereof;  
FIG. 6 is a top plan view thereof; and,  
FIG. 7 is a bottom plan view thereof.  
The broken line showing in the Figures is included for the purposes of illustrating portions of the foil dispenser and form no part of the claimed design.

**1 Claim, 6 Drawing Sheets**



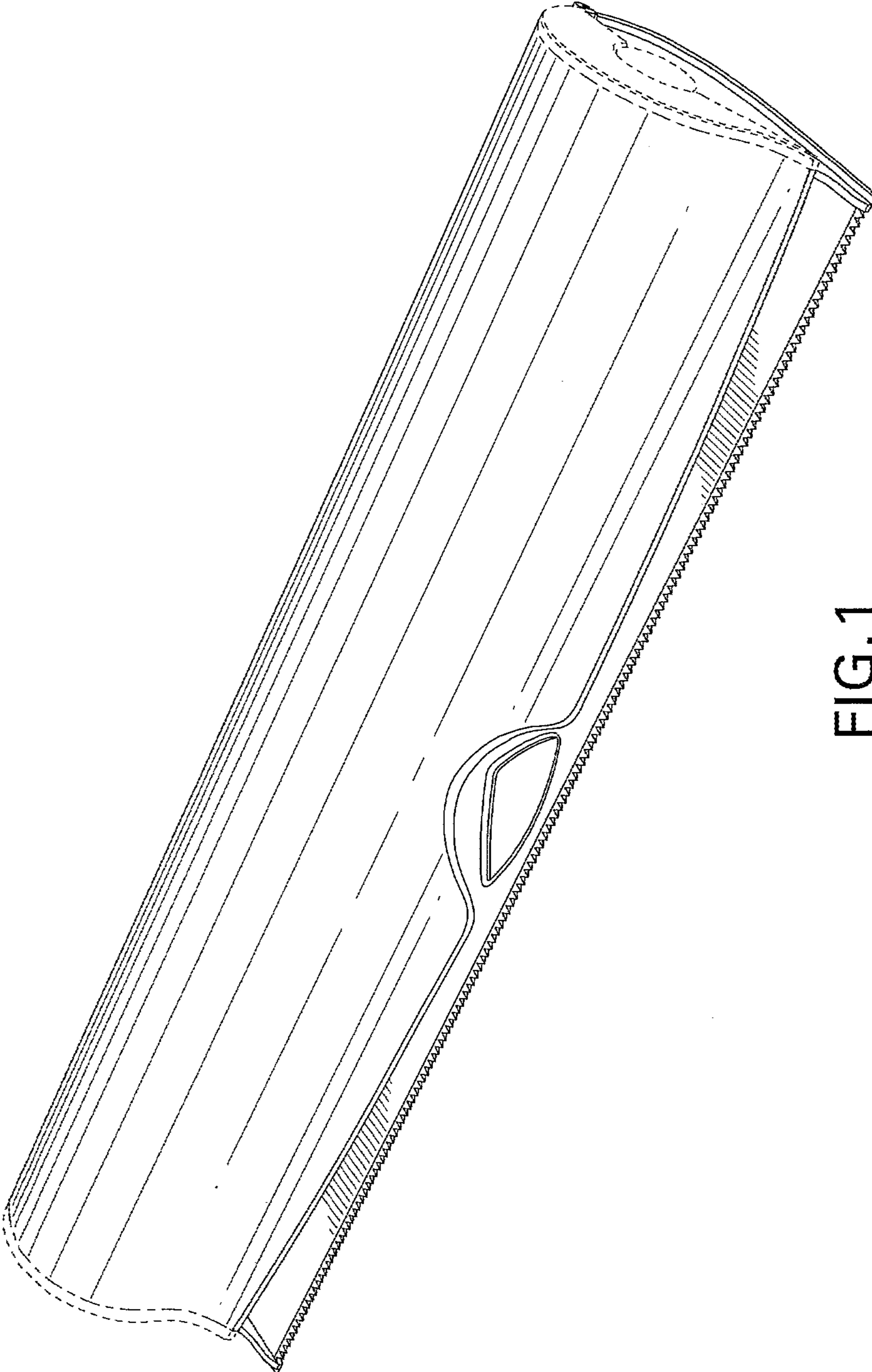


FIG. 1

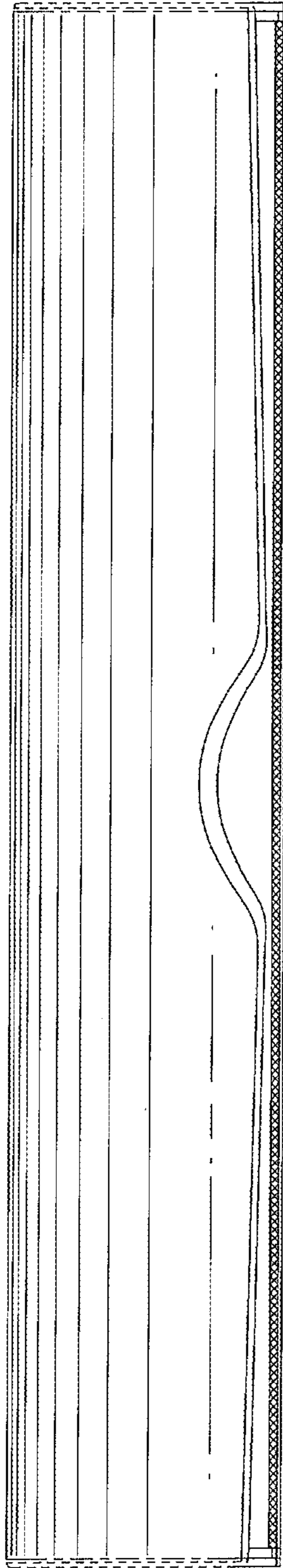


FIG. 2

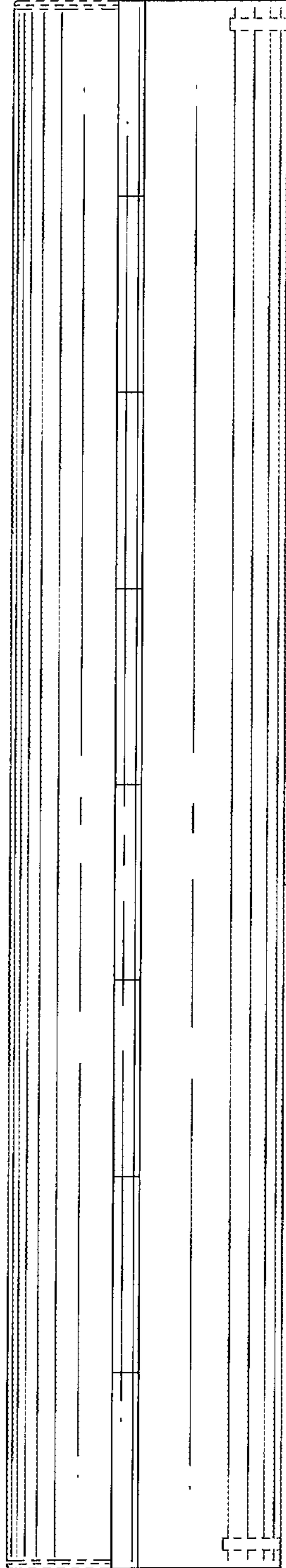


FIG. 3

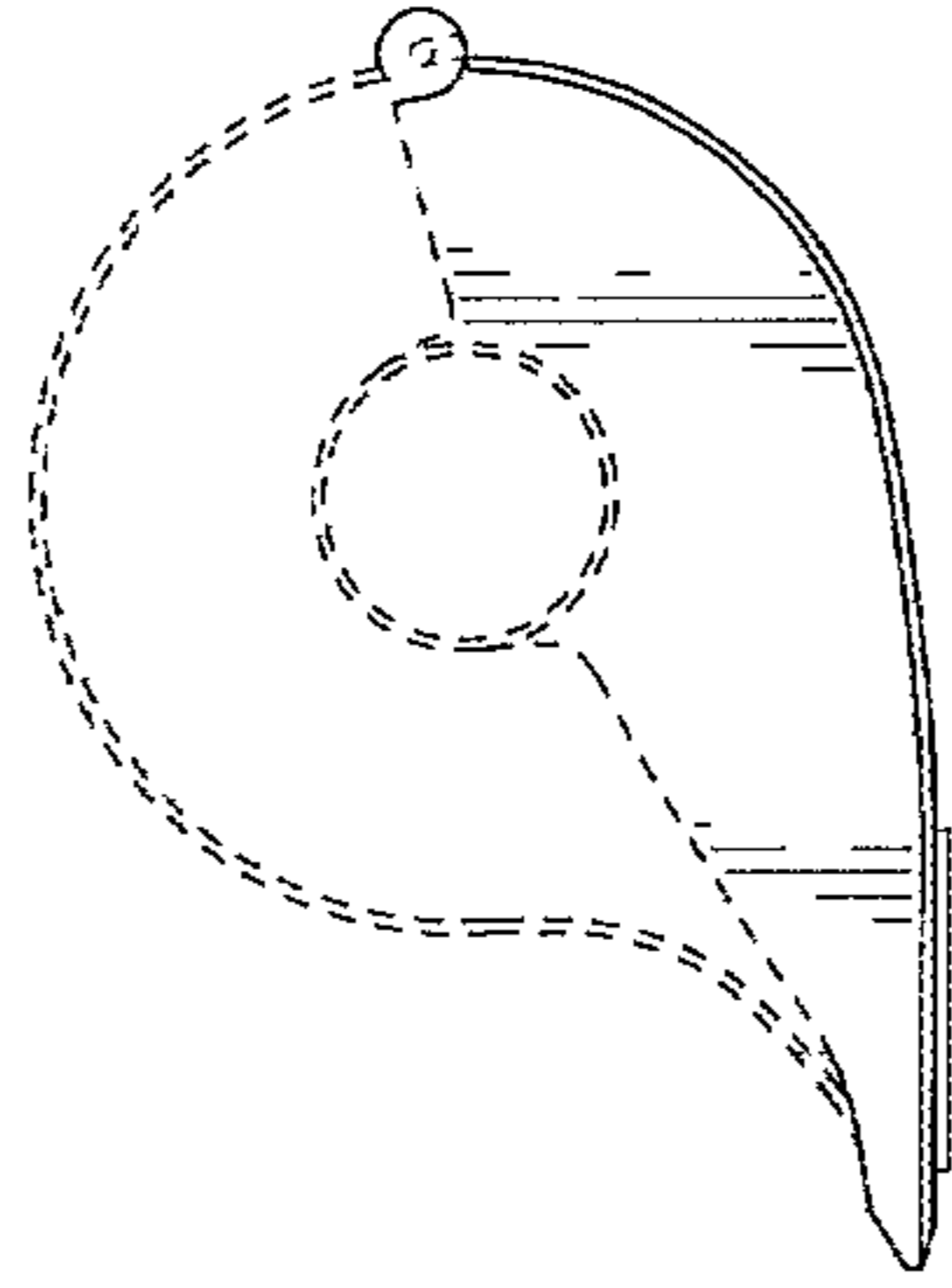


FIG. 5

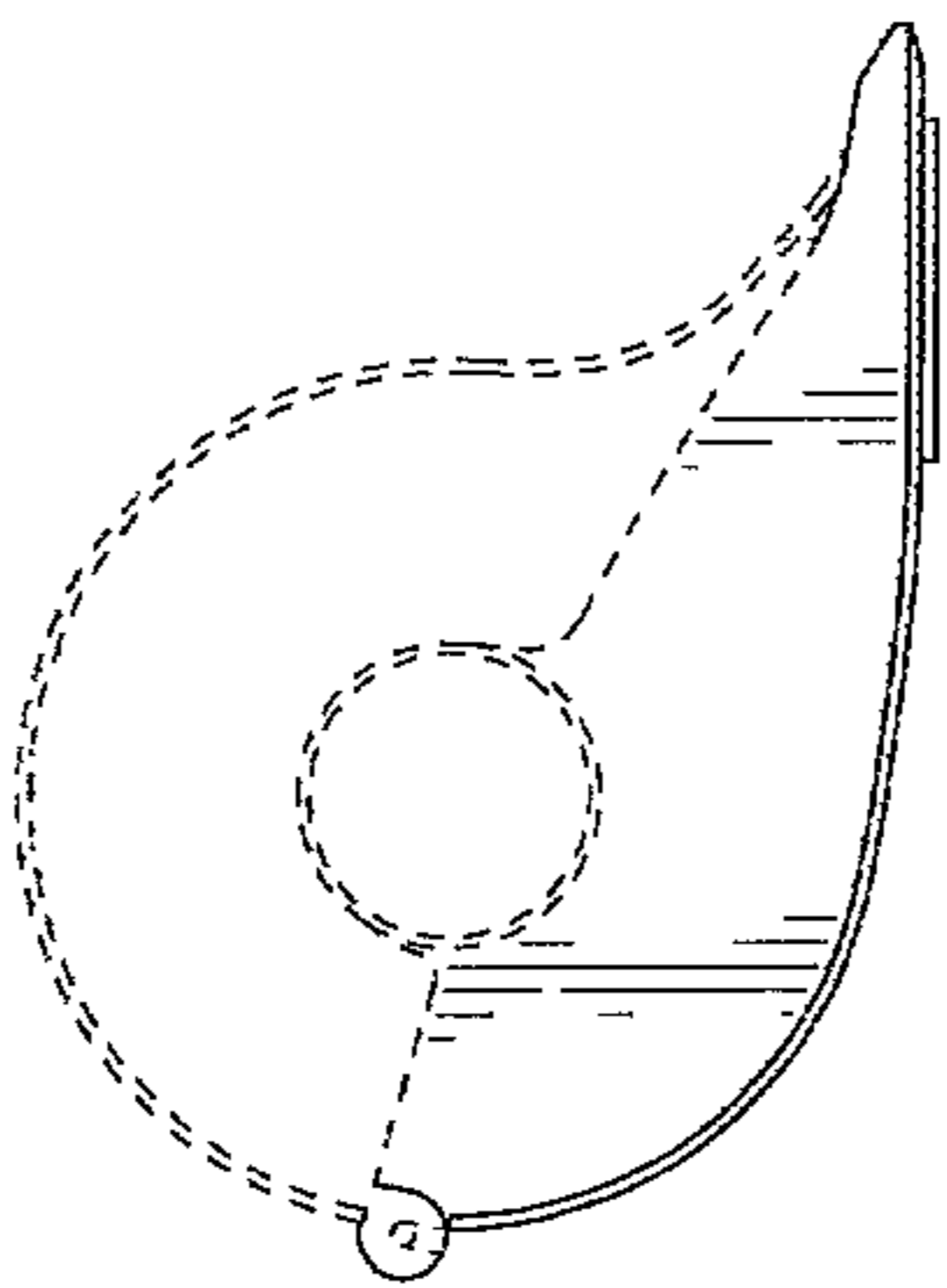


FIG. 4



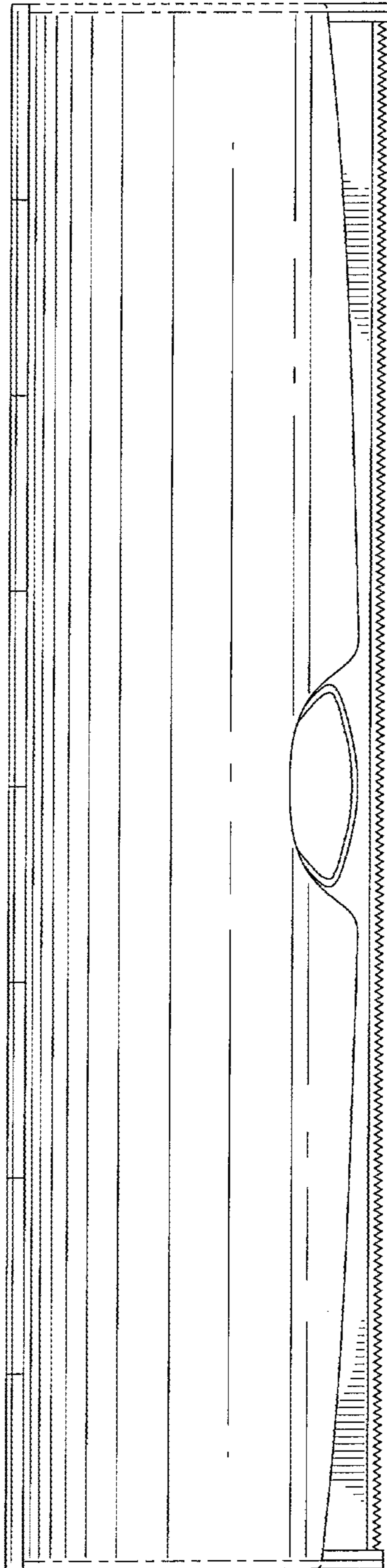


FIG. 6

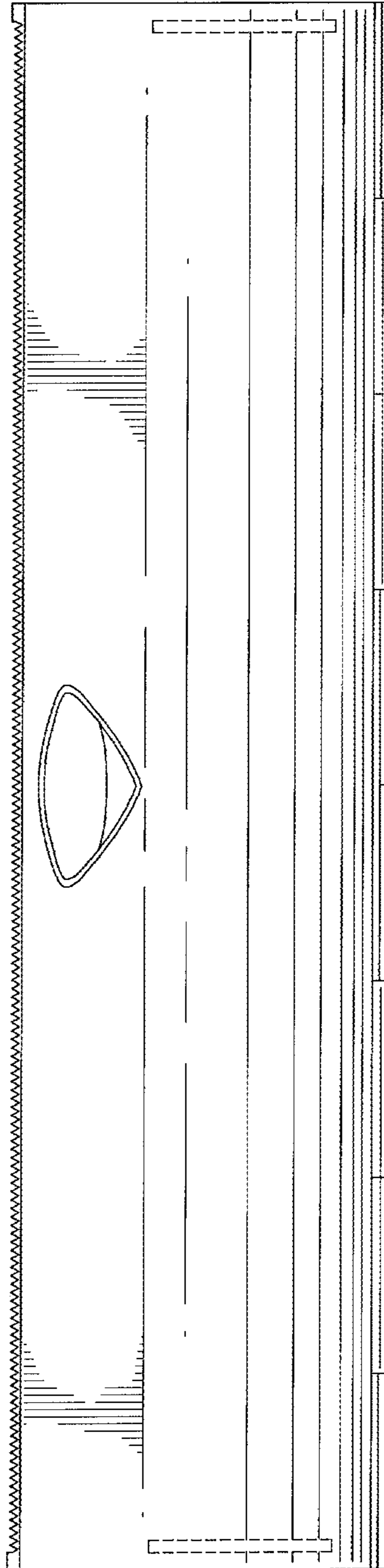


FIG. 7