



US00D830721S

(12) **United States Design Patent** (10) **Patent No.:** **US D830,721 S**
Hu (45) **Date of Patent:** **** Oct. 16, 2018**

(54) **HANGING STORAGE SHELF WITH ADJUSTABLE STRAP**

(71) Applicant: **Yajun Hu**, El Dorado Hills, CA (US)

(72) Inventor: **Yajun Hu**, El Dorado Hills, CA (US)

(73) Assignees: **Yajun Hu**, El Dorado Hills, CA (US); **EUREKA LLC**, El Dorado Hills, CA (US)

(**) Term: **15 Years**

(21) Appl. No.: **29/609,694**

(22) Filed: **Jul. 4, 2017**

(51) **LOC (11) Cl.** **06-06**

(52) **U.S. Cl.**
USPC **D6/513**

(58) **Field of Classification Search**
USPC D6/514, 512-513, 524-525, 552-553, D6/567-570; 206/730, 214, 575, 597, 206/581, 38, 6.1, 278-289, 291; 211/13.1, 10, 85.2, 85.3, 85.7, 35, 41.12, 211/70.6, 86.01, 87.01, 113; 248/300, 248/304, 309.1, 317
CPC . A47B 43/003; A45C 2003/002; A45C 3/004; A45C 7/0077; A45C 7/0095; A45C 9/00; A47F 5/08; A47F 7/19; A47F 5/0006; A47F 5/0025; A47F 7/146

See application file for complete search history.

(56) **References Cited**

U.S. PATENT DOCUMENTS

3,012,348 A *	12/1961	Smith	A47B 63/00
				211/50
D245,783 S	9/1977	Fieni		
D272,969 S *	3/1984	Sussman	D6/300
D301,590 S	6/1989	Foran et al.		
5,271,551 A	12/1993	Roepke		
D354,516 S	1/1995	Crist et al.		

D383,283 S	9/1997	Hankins, III		
D423,841 S *	5/2000	Kerr	D34/5
D424,117 S	5/2000	Steinbeck et al.		
D433,711 S	11/2000	Andujar		
D472,735 S	4/2003	Haugen		
D521,746 S *	5/2006	Frazier	D6/300
D523,245 S	6/2006	Post		
D537,654 S *	3/2007	Chang	D6/682.4
D551,455 S	9/2007	Norvell		
D557,963 S *	12/2007	Hoernig	D6/574
D558,566 S *	1/2008	Ziaylek	D8/373
D562,116 S *	2/2008	Ziaylek	D8/373
D579,660 S	11/2008	Snider		
D604,977 S *	12/2009	Conville	D6/552
D614,482 S *	4/2010	Hay	D8/394
D625,536 S *	10/2010	Moed	D6/518

(Continued)

OTHER PUBLICATIONS

Eureka Ergonomics website, Eureka Ergonomic CPU Holder—Height Adjustment, Aug. 13, 2018, <https://eurekaergonomic.com/eureka-cpu-holder-height-adjustable-black-30-day-risk-free-guarantee-plus-free-shipping/> (Year: 2018).*

Primary Examiner — David G Muller
Assistant Examiner — Nathan M Johnston

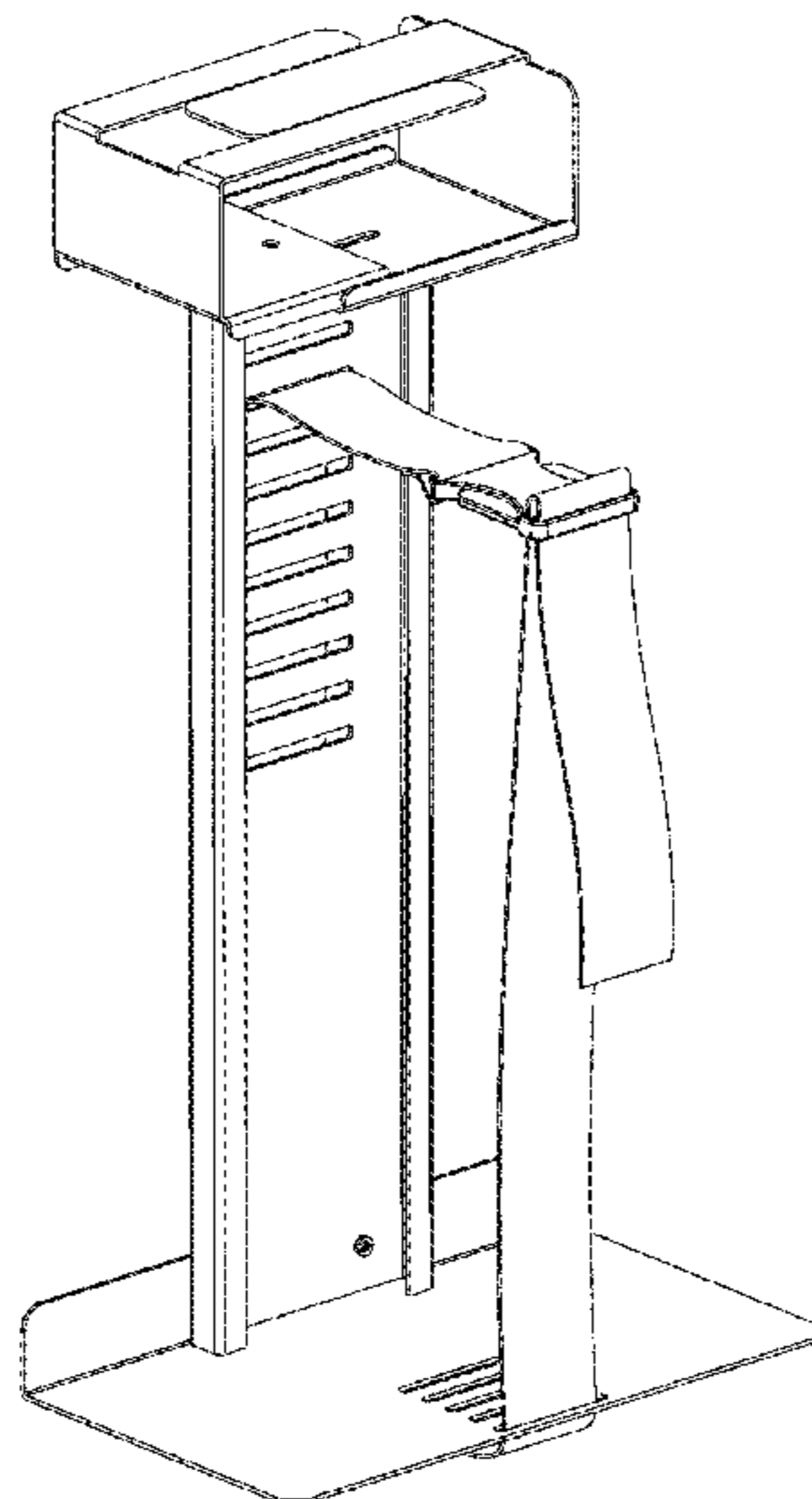
(57) **CLAIM**

The ornamental design for a hanging storage shelf with adjustable strap, as shown and described.

DESCRIPTION

FIG. 1 is a perspective view of a hanging storage shelf with adjustable strap showing my new design; FIG. 2 is a front elevation view thereof; FIG. 3 is a bottom plan view thereof; FIG. 4 is a top plan view thereof; FIG. 5 is a rear elevation view thereof; FIG. 6 is a left side elevation view thereof; and, FIG. 7 is a right side elevation view thereof.

1 Claim, 7 Drawing Sheets



(56)

References Cited

U.S. PATENT DOCUMENTS

D644,491 S	9/2011	Snider	
D651,405 S	1/2012	Lee	
D667,660 S *	9/2012	Adolf	D6/518
D743,952 S *	11/2015	Venghaus	D14/238

* cited by examiner

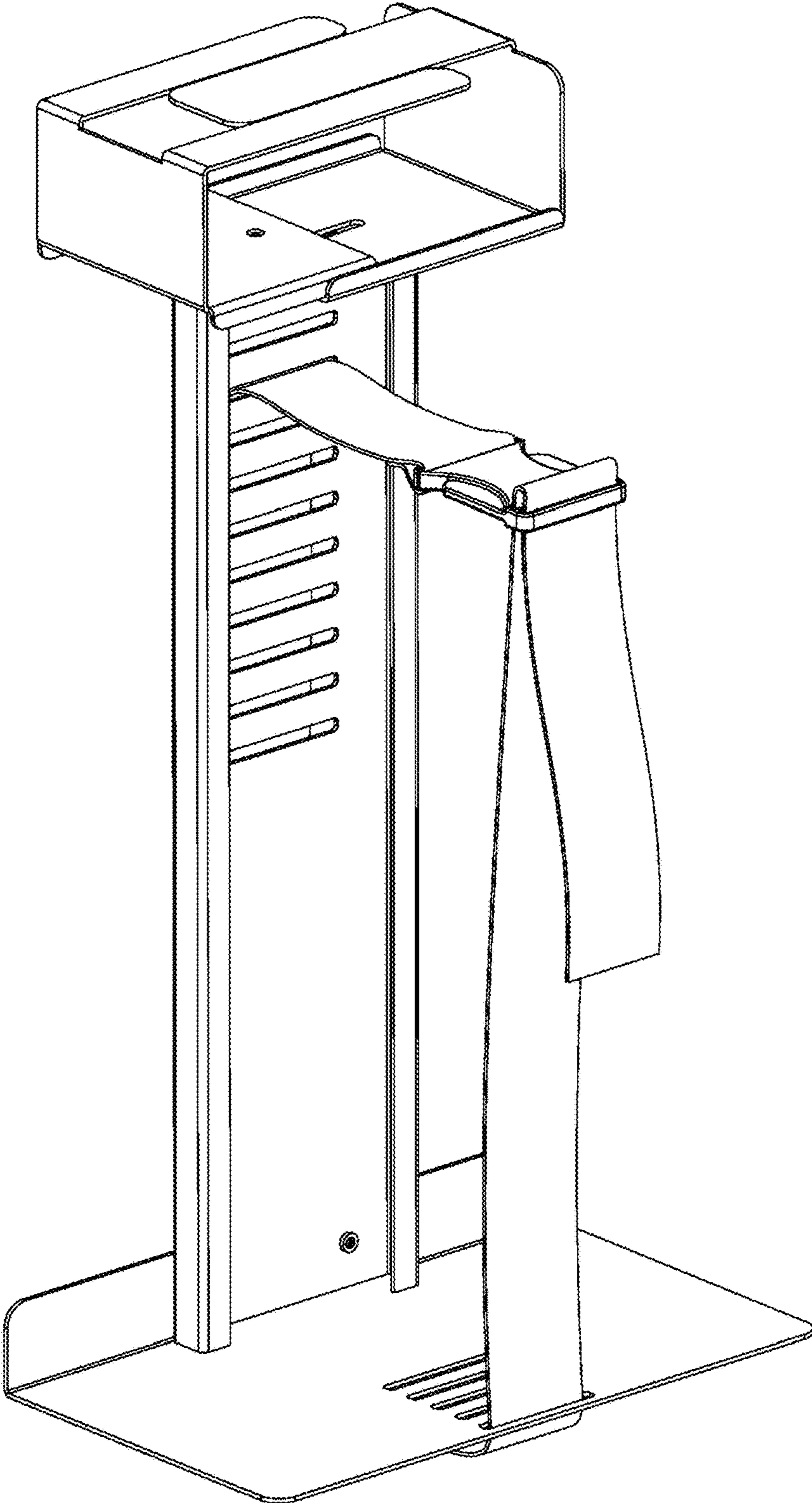


FIG.1

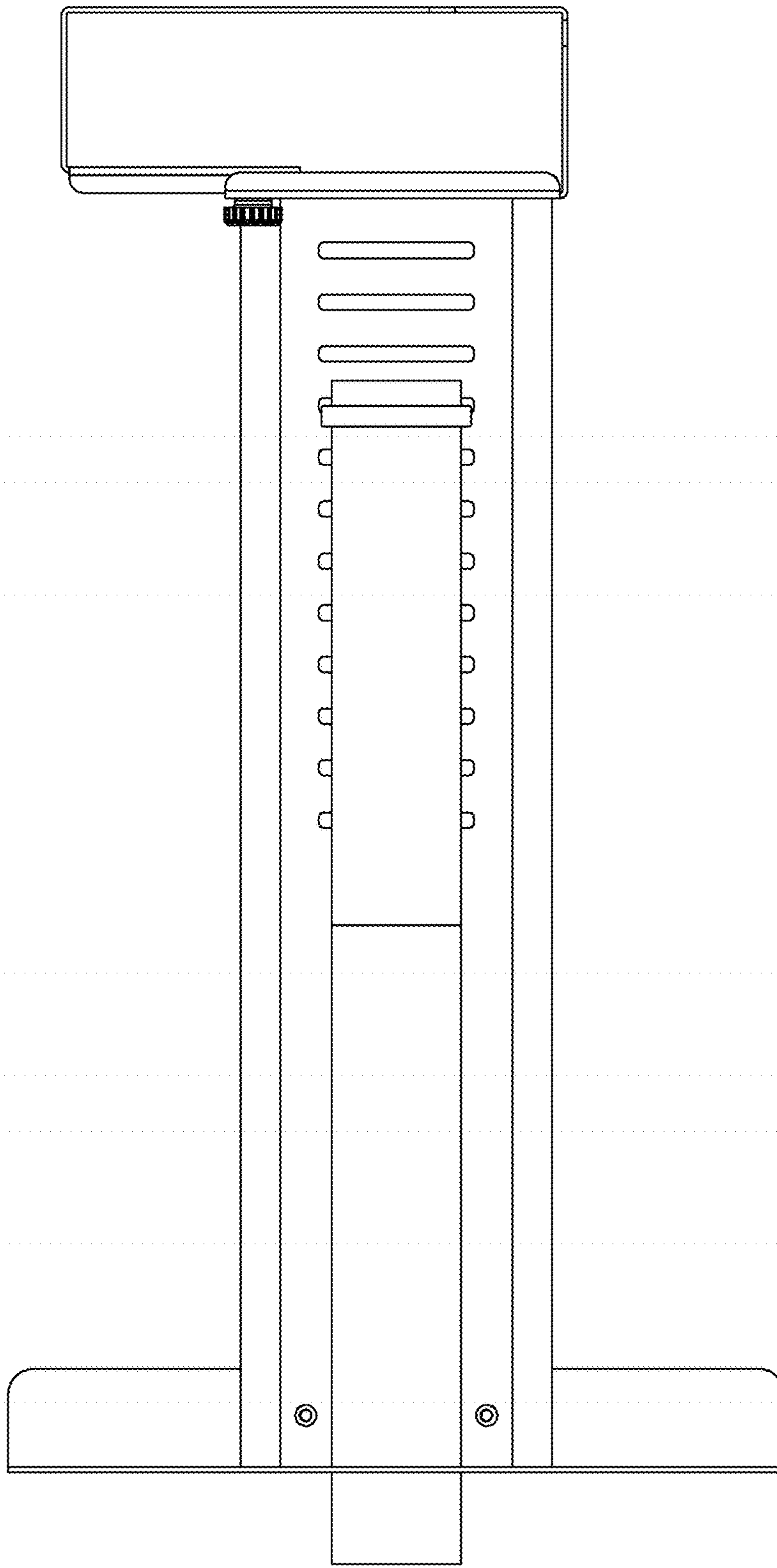


FIG.2

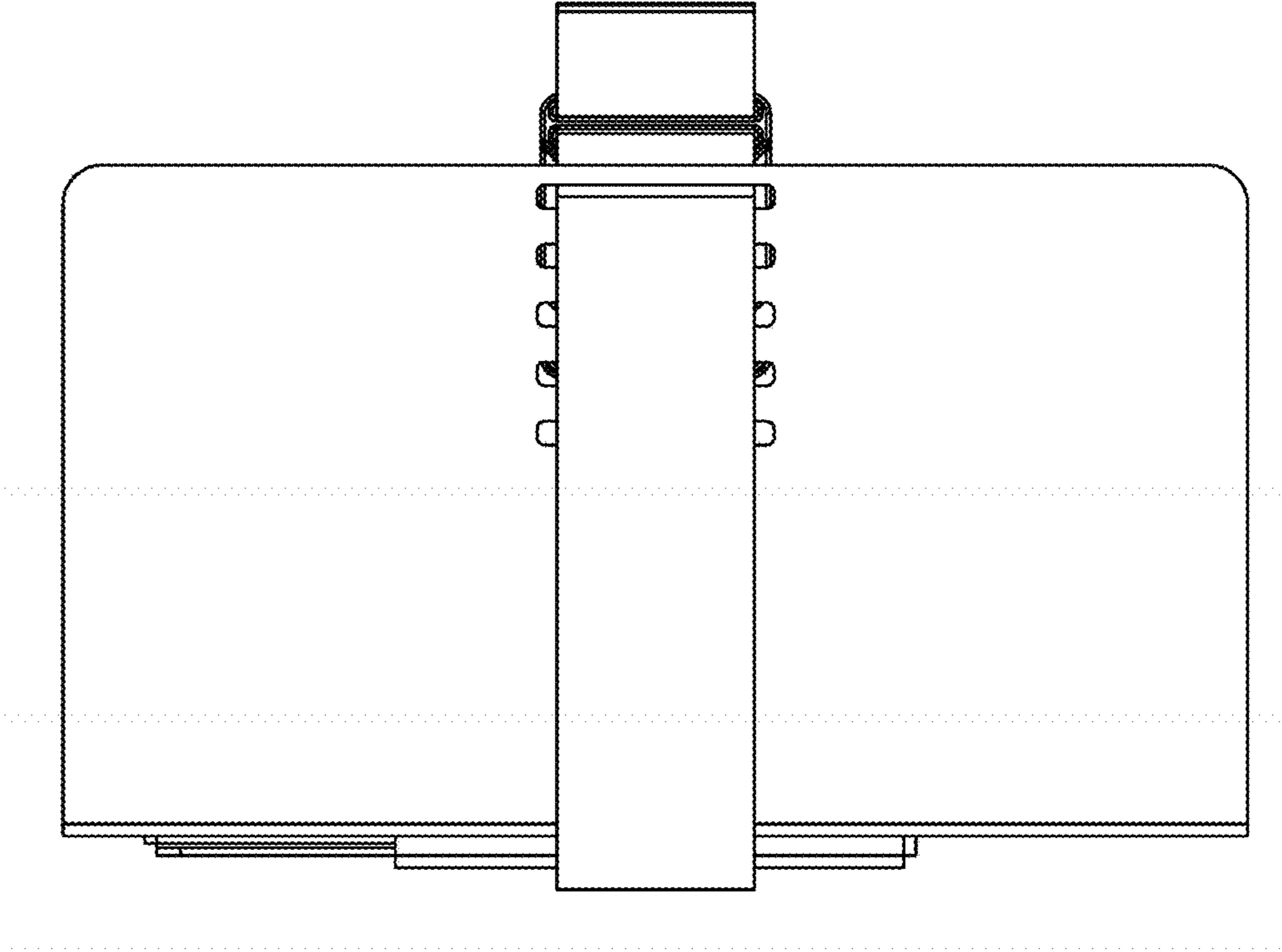


FIG.3

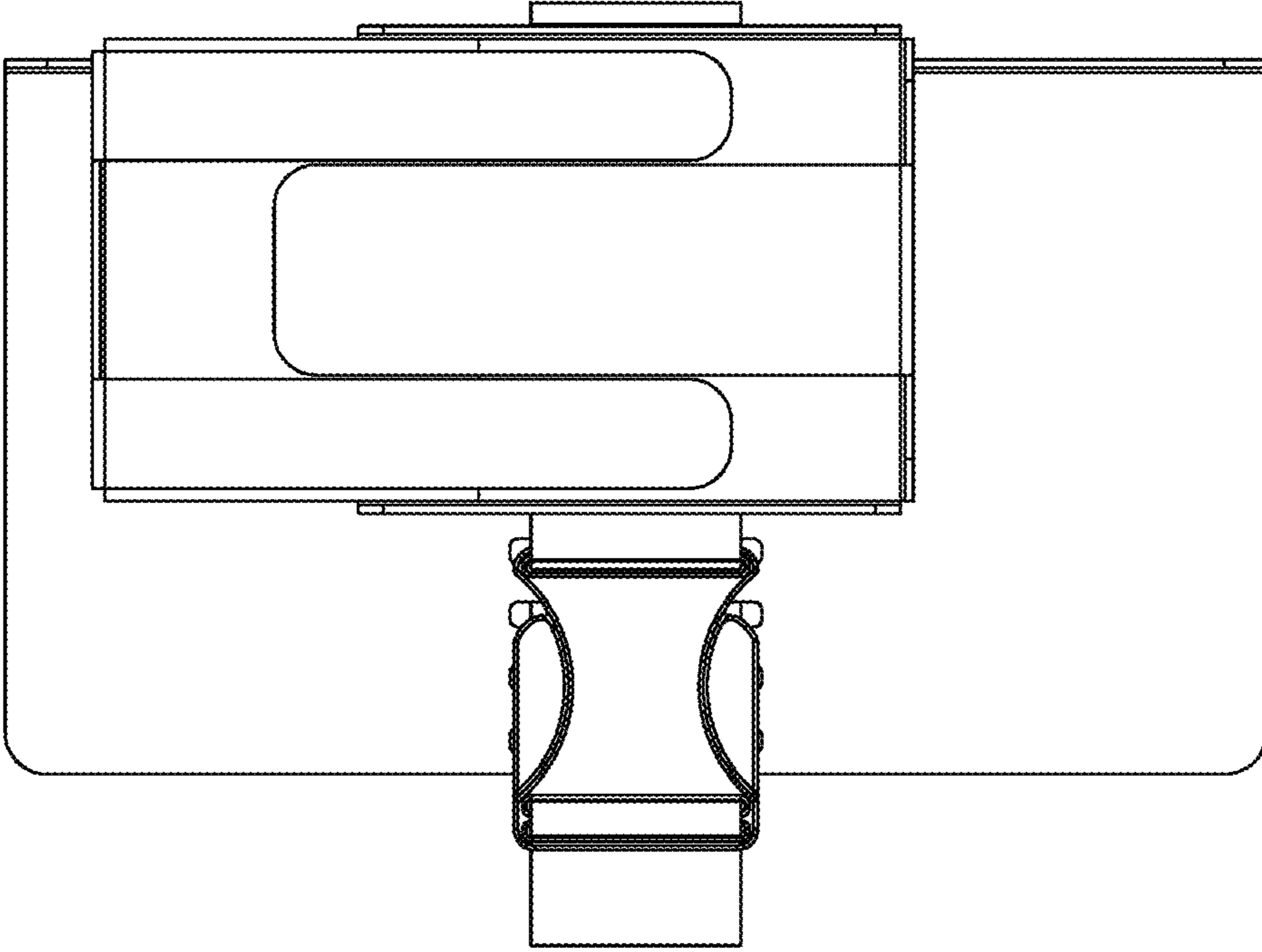


FIG.4

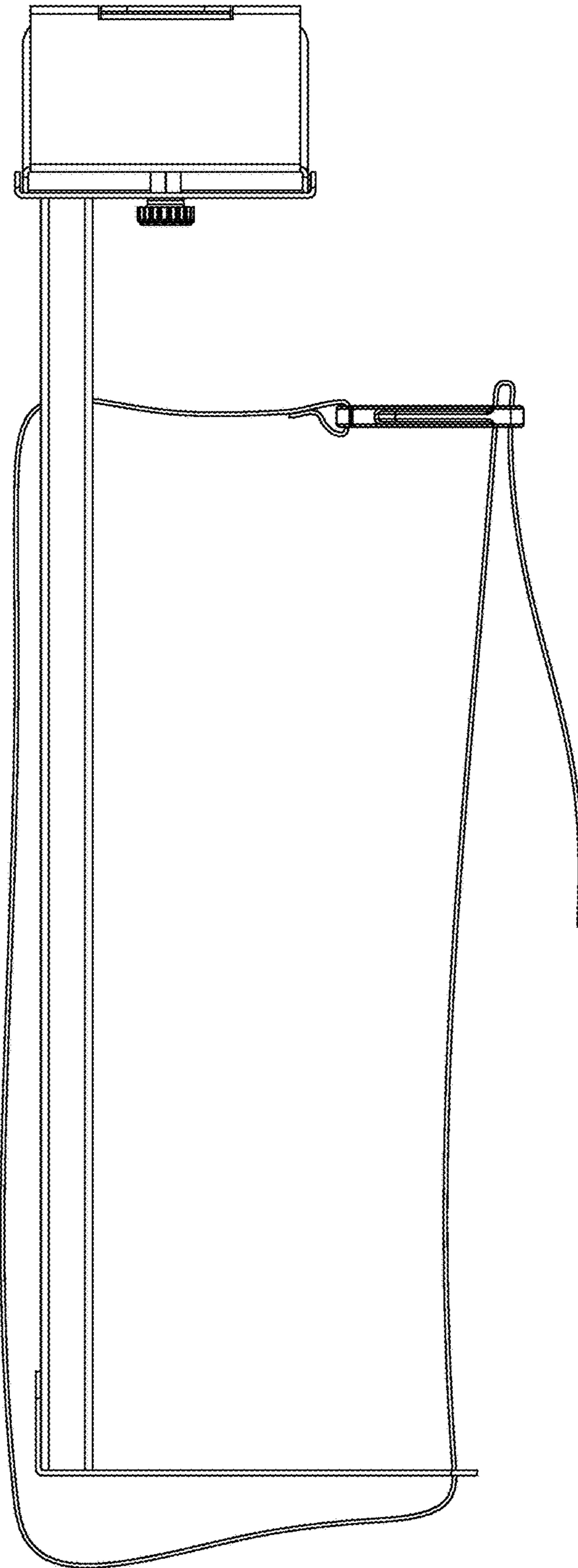


FIG.5

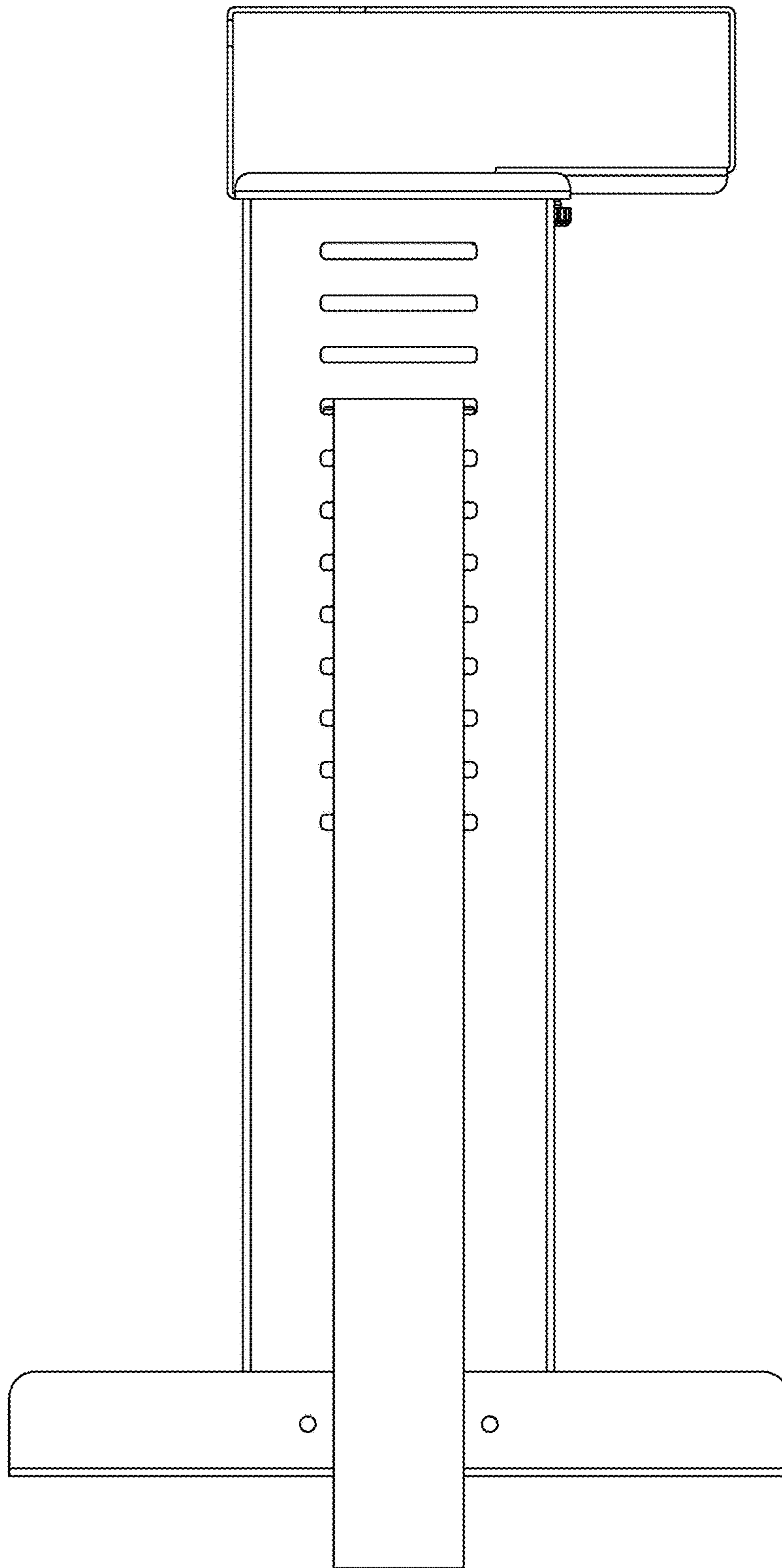


FIG.6

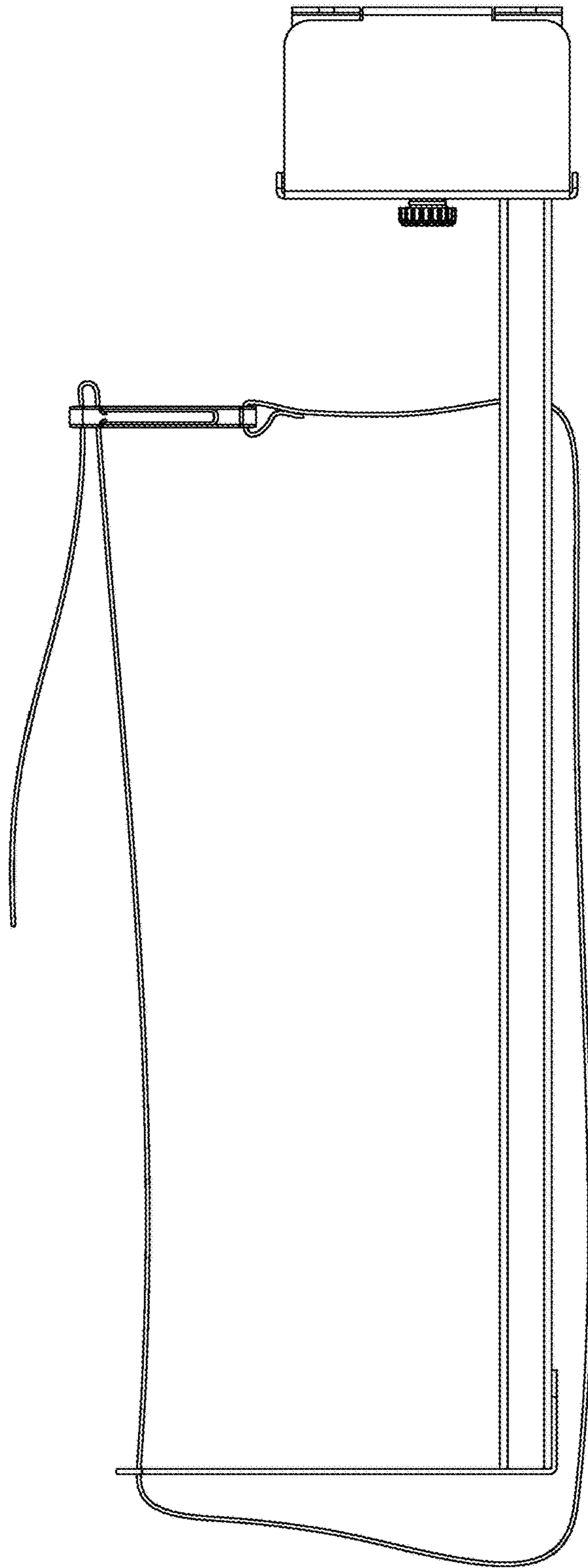


FIG.7