



US00D830718S

(12) **United States Design Patent**
Palumbo

(10) **Patent No.:** **US D830,718 S**

(45) **Date of Patent:** **** Oct. 16, 2018**

(54) **PLANT STAND**

(71) Applicant: **PALUMBO SERVICES, INC.**, Forest Lake, MN (US)

(72) Inventor: **Joseph John Palumbo**, Forest Lake, MN (US)

(73) Assignee: **PALUMBO SERVICES, INC.**, Forest Lake, MN (US)

(**) Term: **15 Years**

(21) Appl. No.: **29/570,827**

(22) Filed: **Jul. 12, 2016**

(51) **LOC (11) Cl.** **06-06**

(52) **U.S. Cl.**

USPC **D6/404**

(58) **Field of Classification Search**

USPC D11/143, 152-154, 118, 63, 64, 84;
D6/405, 681.3, 674, 403, 404

CPC A01G 9/021; A01G 9/02; B29C 51/04;
A47G 33/06; A47G 33/126; A47G 9/00;
A45C 11/16

See application file for complete search history.

(56) **References Cited**

U.S. PATENT DOCUMENTS

D99,863	S	*	6/1936	Hayes	D6/681.3
2,188,529	A		1/1940	Corina		
D143,745	S		2/1946	Miller		
2,565,700	A		8/1951	Schiller		
D177,749	S	*	5/1956	Oliver	D6/405
D197,291	S		1/1964	Monkarsh		
3,867,237	A		2/1975	Kearney		
D244,571	S	*	6/1977	Cowan, Jr.	D6/405
D247,937	S	*	5/1978	Dilyard	D6/405
4,278,481	A		7/1981	Osment		
D262,097	S		12/1981	Weixelman		
D270,882	S		10/1983	Wilson		
D271,913	S	*	12/1983	Nanfito	D32/55

D276,962	S	*	1/1985	Moore	D11/118
D291,072	S		7/1987	Hebert, Jr.		
4,950,509	A		8/1990	DeMott		

(Continued)

OTHER PUBLICATIONS

Earl Senchuk, "Living Tree Art" web page <https://web.archive.org/web/20120322220301/http://www.earlsenchuk.com:80/ar/living-tree-art/> (archived Mar. 22, 2012), 6 pages.

(Continued)

Primary Examiner — Sheryl Lane

(74) *Attorney, Agent, or Firm* — Westman, Champlin & Koehler, P.A.

(57) **CLAIM**

The ornamental design for a plant stand, as shown and described.

DESCRIPTION

A portion of the disclosure of this patent document contains material to which a claim for copyright is made. The copyright owner has no objection to the facsimile reproduction by anyone of the patent document or the patent disclosure, as it appears in the Patent and Trademark Office patent file or records, but reserves all other copyright rights whatsoever.

FIG. 1 is a perspective view of the plant stand including a potted plant;

FIG. 2 is a perspective view of the plant stand without the potted plant;

FIG. 3 is a top plan view of the plant stand;

FIG. 4 is a front elevational view of the plant stand;

FIG. 5 is a right side view of the plant stand;

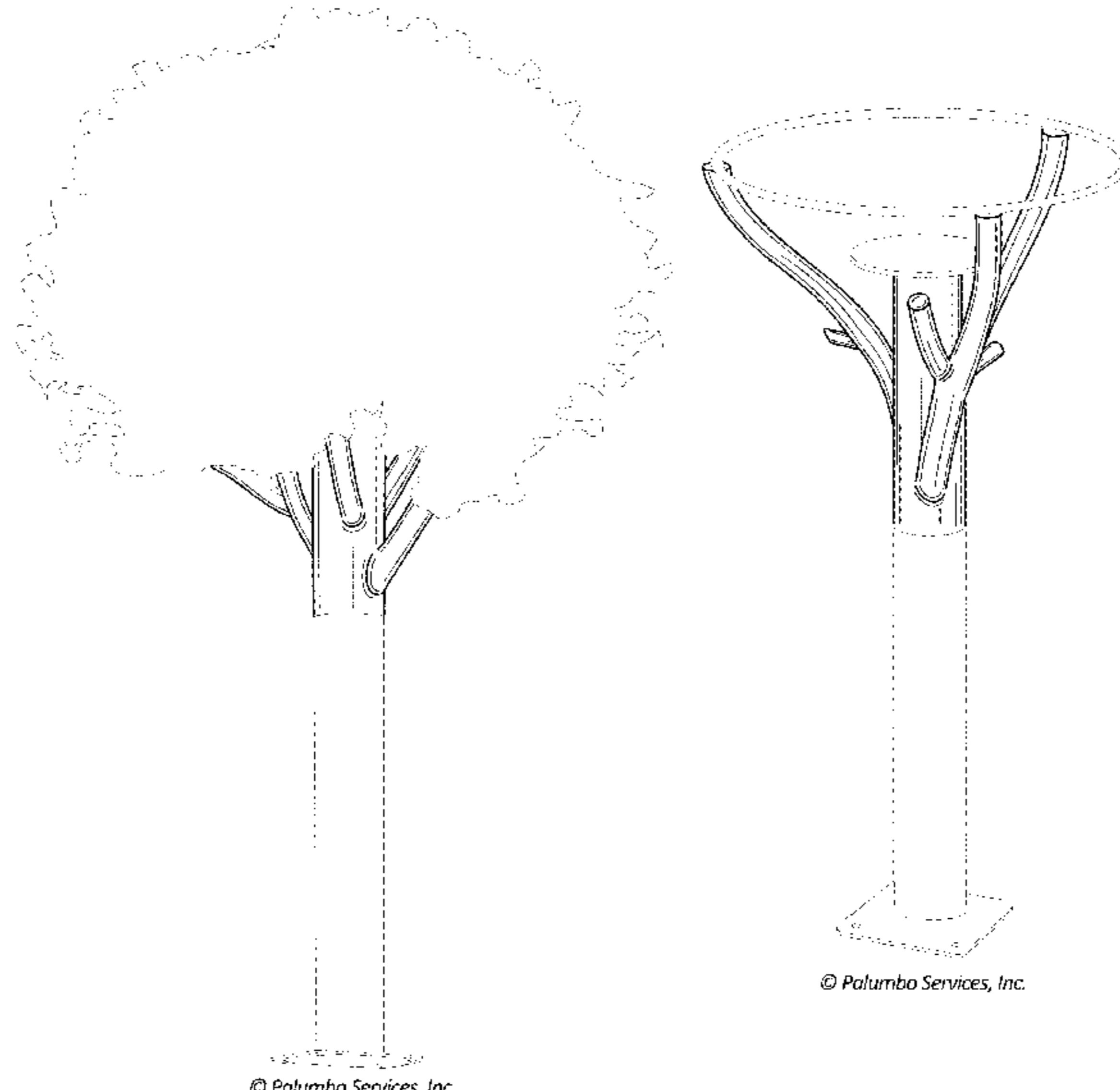
FIG. 6 is a rear elevational view of the plant stand;

FIG. 7 is a left side view of the plant stand; and,

FIG. 8 is a bottom plan view of the plant stand.

The broken lines represent environment and form no part of the claimed design.

1 Claim, 8 Drawing Sheets



© Palumbo Services, Inc.

© Palumbo Services, Inc.

(56)

References Cited

U.S. PATENT DOCUMENTS

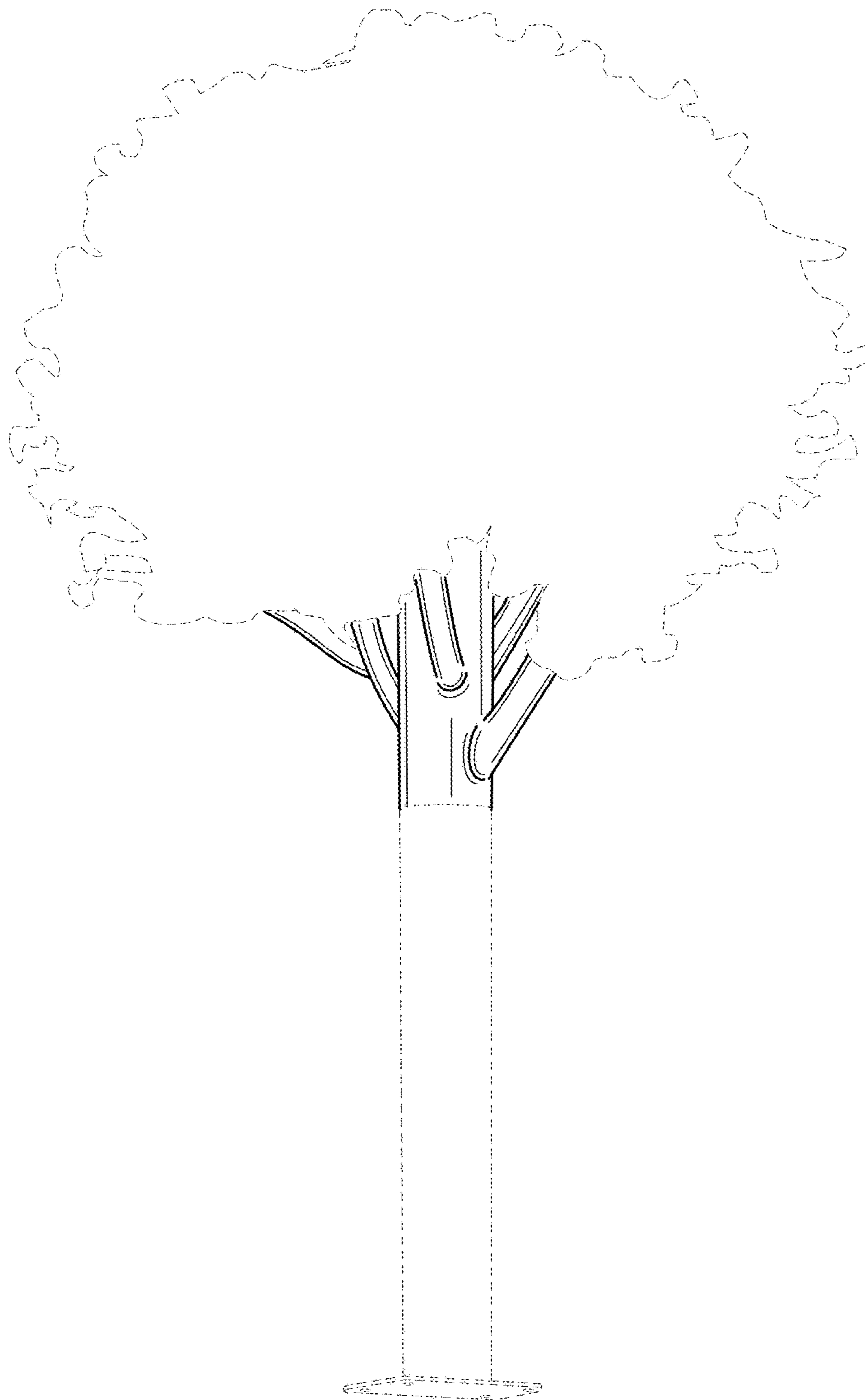
5,018,480 A 5/1991 Goldman et al.
 5,215,793 A 6/1993 Osment et al.
 D344,043 S 2/1994 Brookshire, Sr.
 D345,871 S * 4/1994 Anderson D6/405
 D361,443 S * 8/1995 Bohland D6/405
 D369,252 S * 4/1996 Solomon-Wise D6/681.3
 D369,496 S * 5/1996 Bartle D6/681.3
 D398,612 S 9/1998 Juengert et al.
 D430,817 S 9/2000 Salandra
 D453,910 S * 2/2002 Jones, II D11/118
 D465,946 S * 11/2002 Boyd, Jr. D6/681.3
 6,613,402 B2 9/2003 Fulton
 D507,989 S * 8/2005 Lamb D11/118
 D545,080 S * 6/2007 Massaud D6/681.3
 D566,990 S * 4/2008 Cook D6/681.3
 D610,370 S * 2/2010 Quan D6/681.3
 D621,635 S 8/2010 Murphy
 D655,944 S * 3/2012 Malinski D6/674
 D656,339 S * 3/2012 Malinski D6/674
 D667,227 S 9/2012 Altieri
 D686,426 S * 7/2013 Muro D6/674

9,375,626 B2 * 6/2016 English A63B 21/072
 D760,622 S * 7/2016 Ogden D11/143
 D773,338 S * 12/2016 Trevino D11/118
 9,593,831 B2 3/2017 Yu
 D783,295 S * 4/2017 Branham D6/316
 2007/0253191 A1 * 11/2007 Chin A47G 33/06
 362/123
 2010/0300900 A1 * 12/2010 Quan A45C 11/16
 206/6.1

OTHER PUBLICATIONS

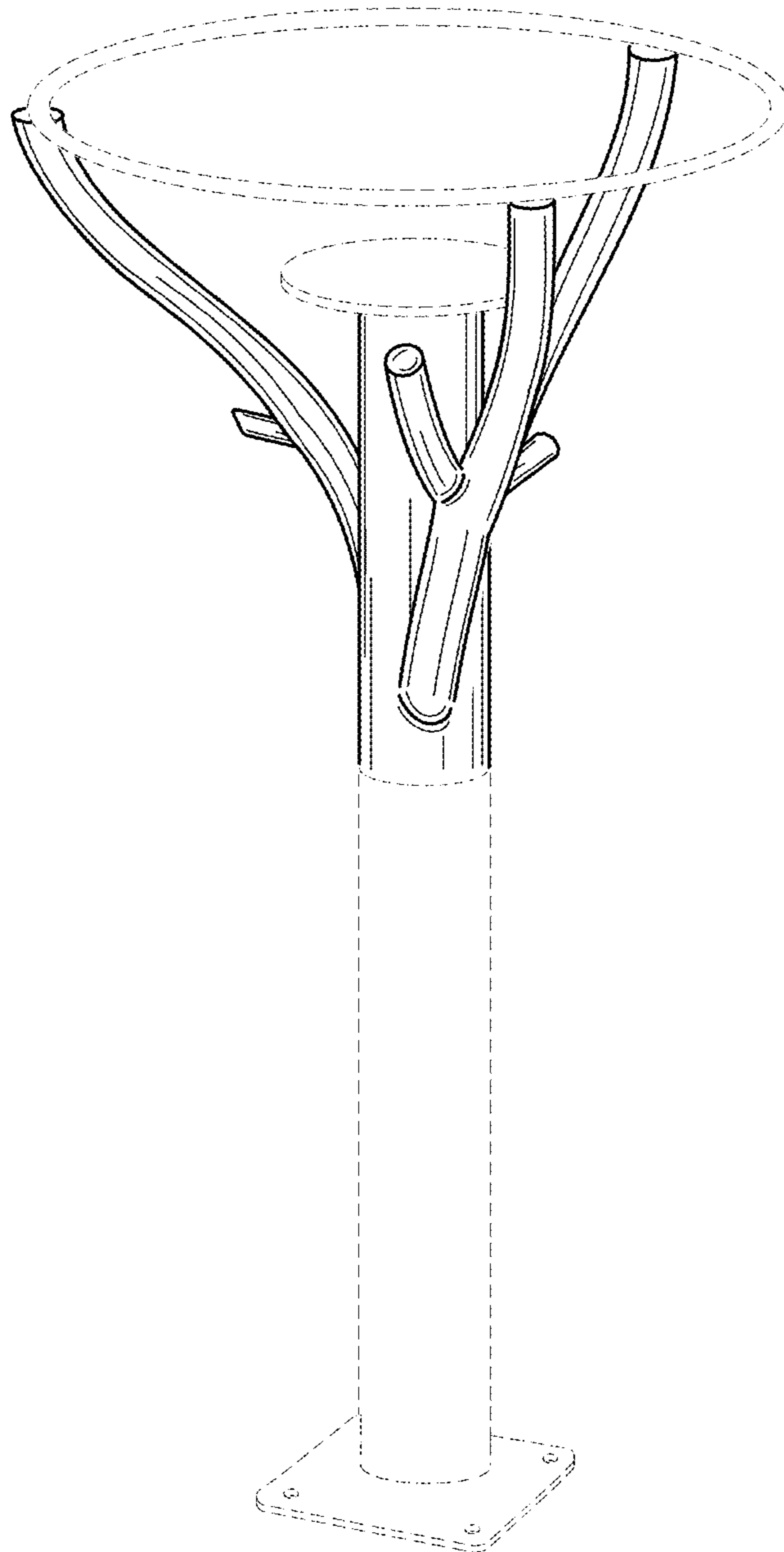
Earl Senchuk, "Living Tree Art" web page <https://web.archive.org/web/20150108112231/http://www.earlsenchuk.com:80/art/living-tree-art/> (archived Jan. 8, 2015), 8 pages.
 "Flower Pot Tree" Farm Show Magazine, vol. 22, Issue 2 (1998), p. 37.
 "Flower Pot Tree" web page <<https://web.archive.org/web/20120110135936/https://www.flowerpottree.com/>> (archived Jan. 10, 2012), 2 pages.
 The Greenery Garden Centre, "Floweriest Petunia Trees" (Aug. 6, 2010), 2 pages.

* cited by examiner



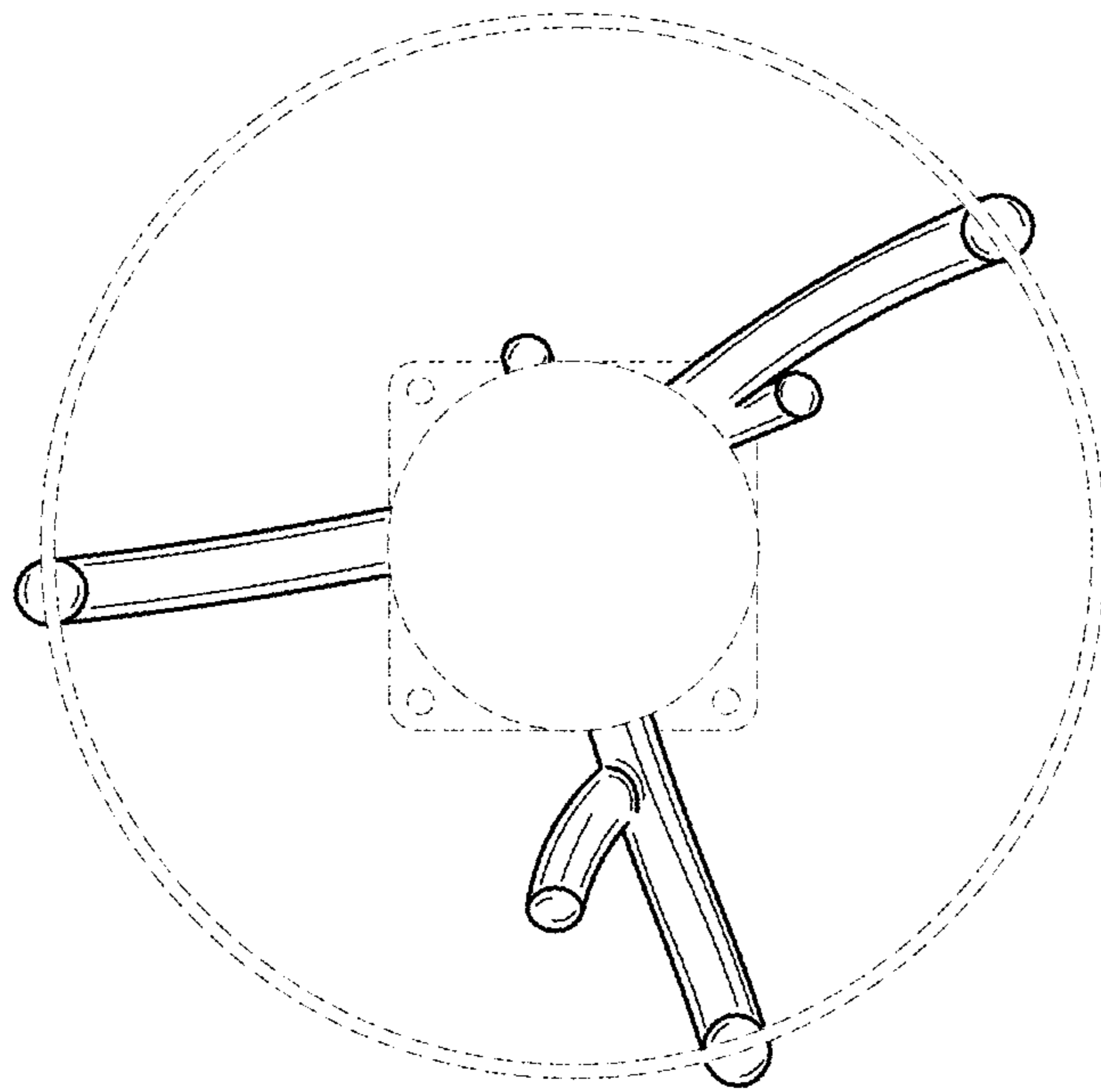
© Palumbo Services, Inc.

Fig. 1



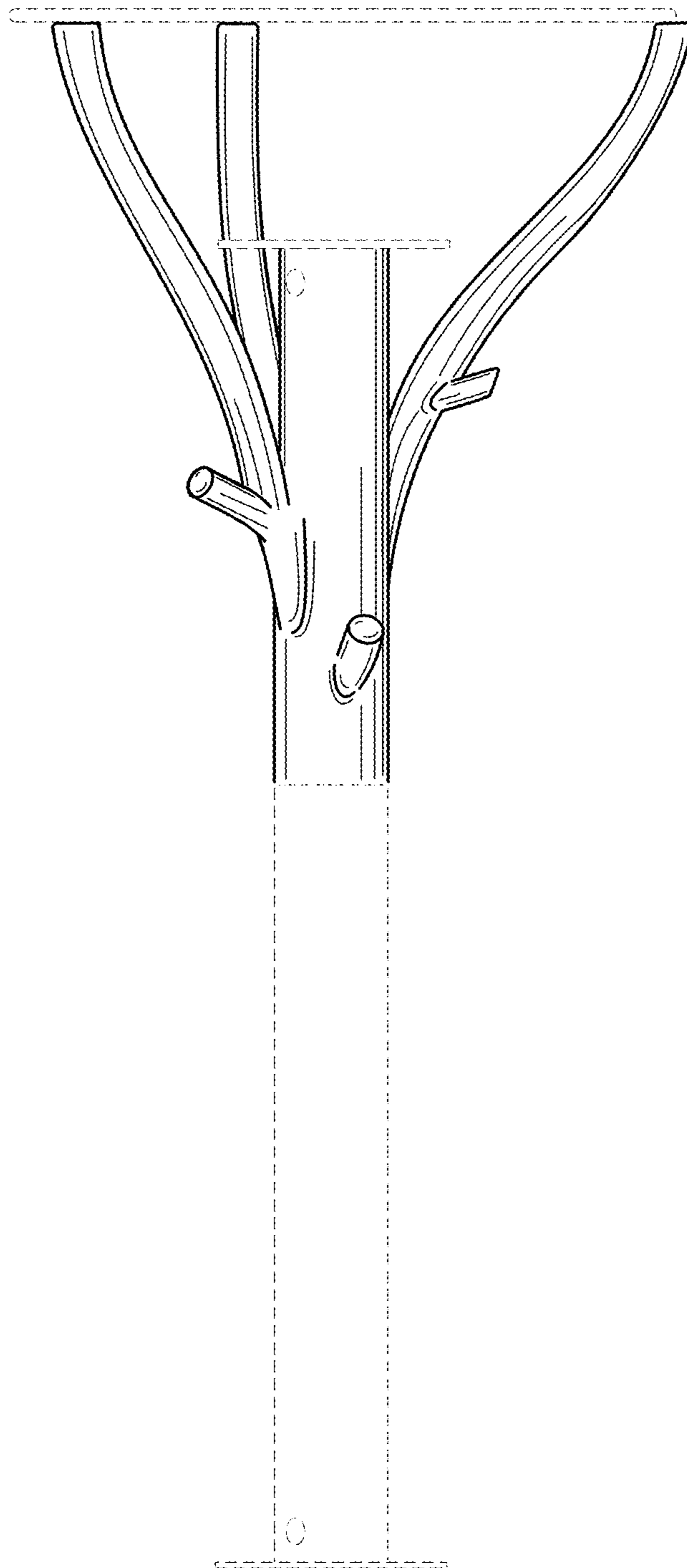
© Palumbo Services, Inc.

Fig. 2



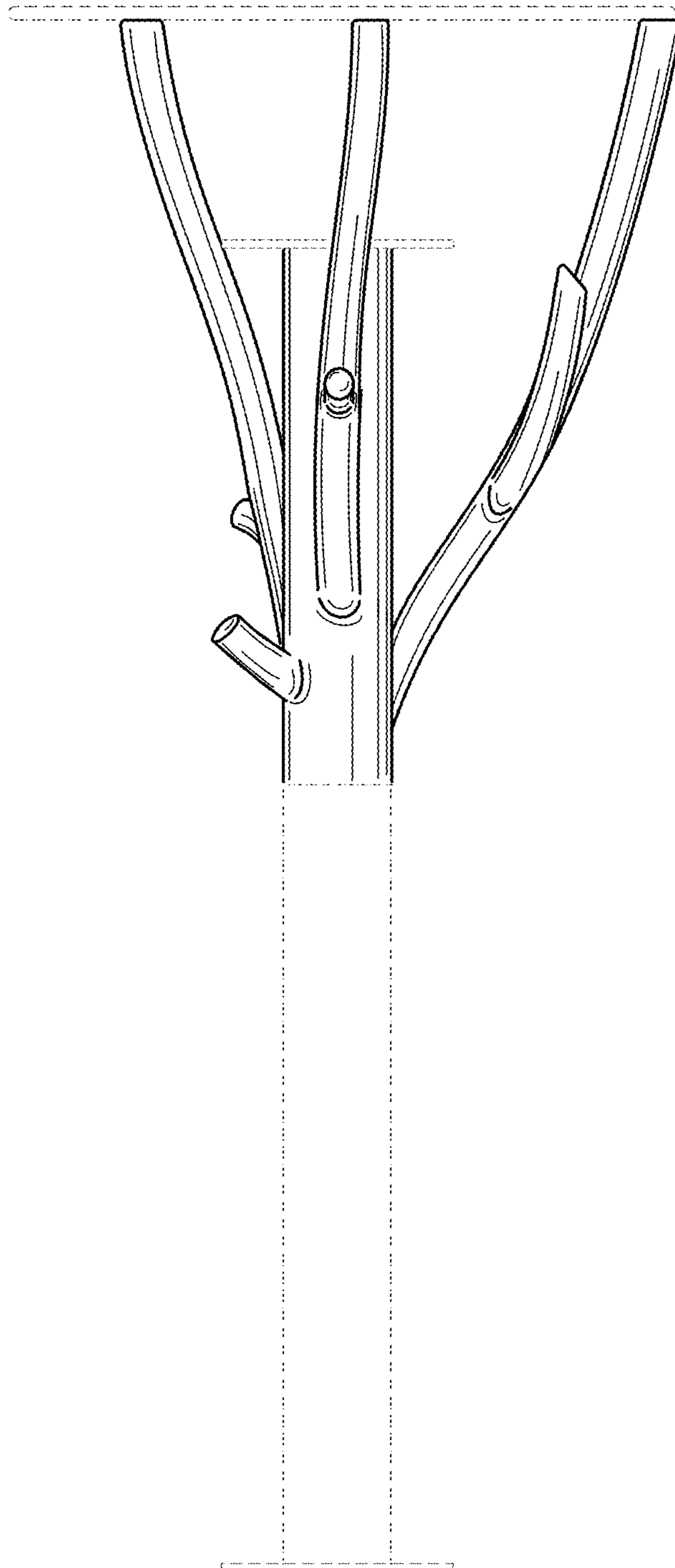
© Palumbo Services, Inc.

Fig. 3



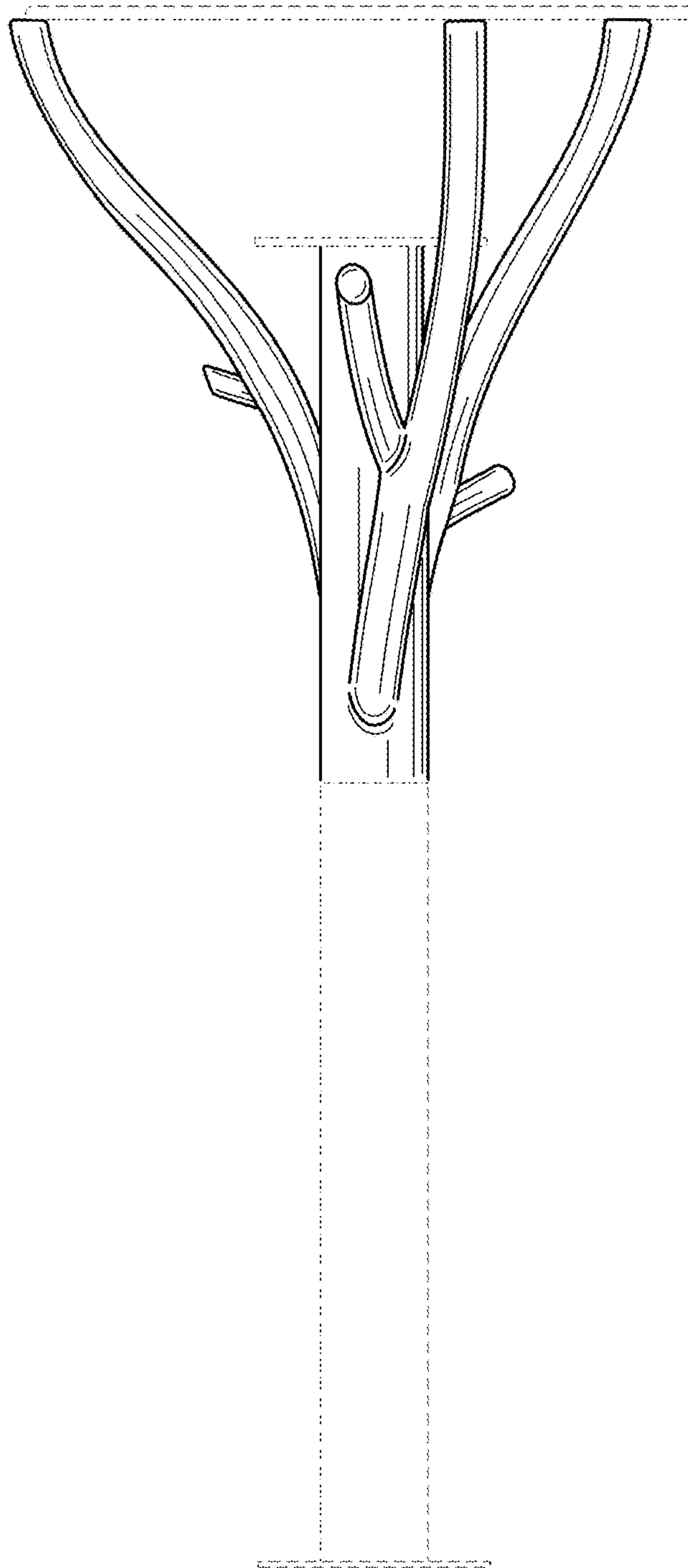
© Palumbo Services, Inc.

Fig. 4



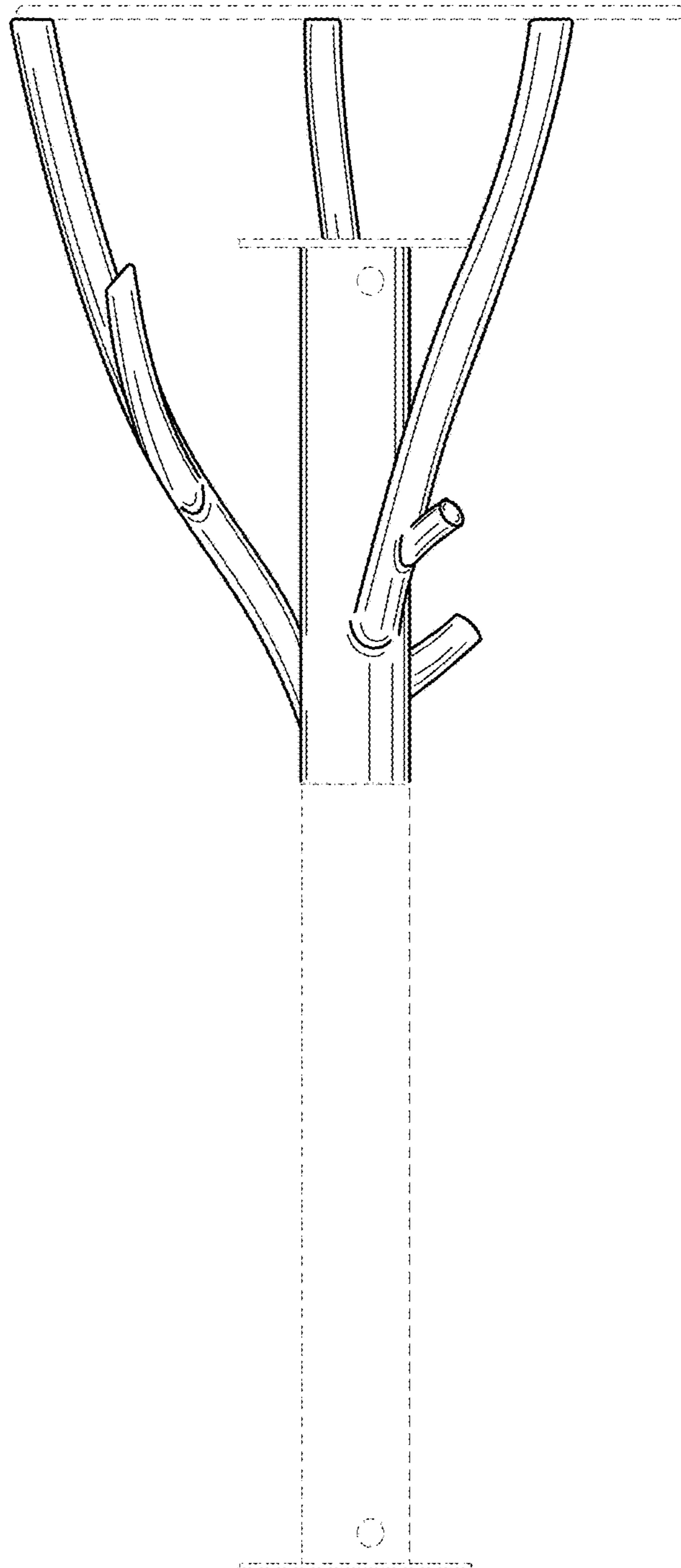
© Palumbo Services, Inc.

Fig. 5



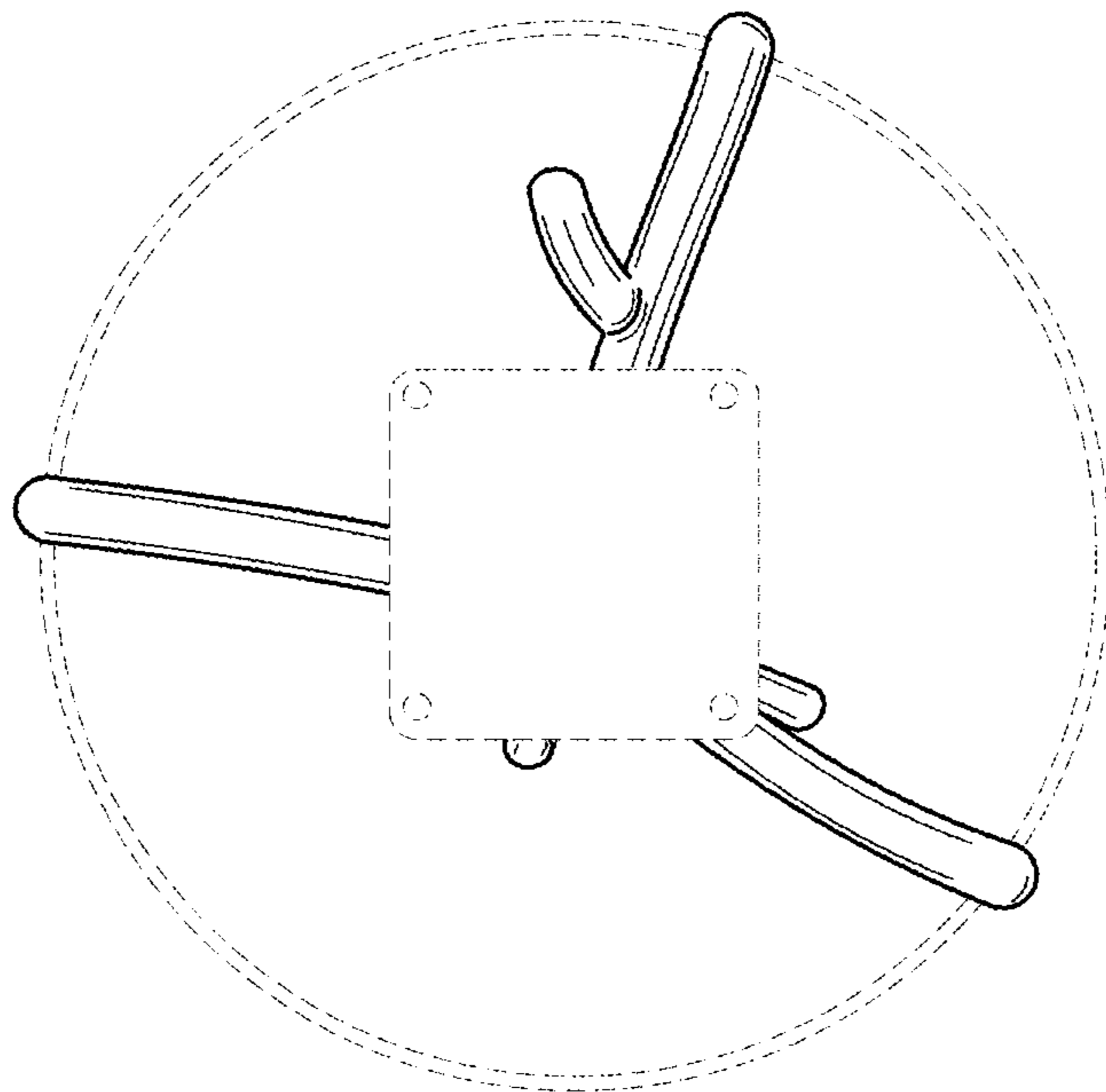
© Palumbo Services, Inc.

Fig. 6



© Palumbo Services, Inc.

Fig. 7



© Palumbo Services, Inc.

Fig. 8