



US00D830717S

(12) **United States Design Patent**
Tsukii

(10) **Patent No.:** **US D830,717 S**
(45) **Date of Patent:** **** Oct. 16, 2018**

(54) **PLATFORM BED WITH HEADBOARD**

(71) Applicant: **Toshikazu Tsukii**, Oro Valley, AZ (US)

(72) Inventor: **Toshikazu Tsukii**, Oro Valley, AZ (US)

(**) Term: **15 Years**

(21) Appl. No.: **29/647,675**

(22) Filed: **May 15, 2018**

(51) **LOC (11) Cl.** **06-02**

(52) **U.S. Cl.**
USPC **D6/388**

(58) **Field of Classification Search**
USPC D6/382-384, 388, 393, 718.13, 718.15
CPC A47C 17/02; A47C 19/00
See application file for complete search history.

(56) **References Cited**

U.S. PATENT DOCUMENTS

D164,058 S *	7/1951	Peery	D6/393
D194,498 S *	2/1963	Miller	297/452.12
D393,378 S *	4/1998	Hutton	D6/382
D480,888 S *	10/2003	Ogawa	D6/392
D497,067 S *	10/2004	Cook	D6/718.23
D521,272 S *	5/2006	Hutton	D6/393
D531,437 S *	11/2006	Juneau	D6/718.13
D660,047 S *	5/2012	Zagaroli	D6/393
D772,595 S *	11/2016	Calegari	D6/384

OTHER PUBLICATIONS

Airplane Wing Headboard, Cottage Industries Blog, Sep. 2008, site visited Jul. 24, 2018, available online at <https://ctcottageindustries.blogspot.com/2008/09/brilliant-or-bad-taste-director-roland.html> (Year: 2008).*

* cited by examiner

Primary Examiner — Cathron C Brooks

(74) *Attorney, Agent, or Firm* — Eugene Vamos

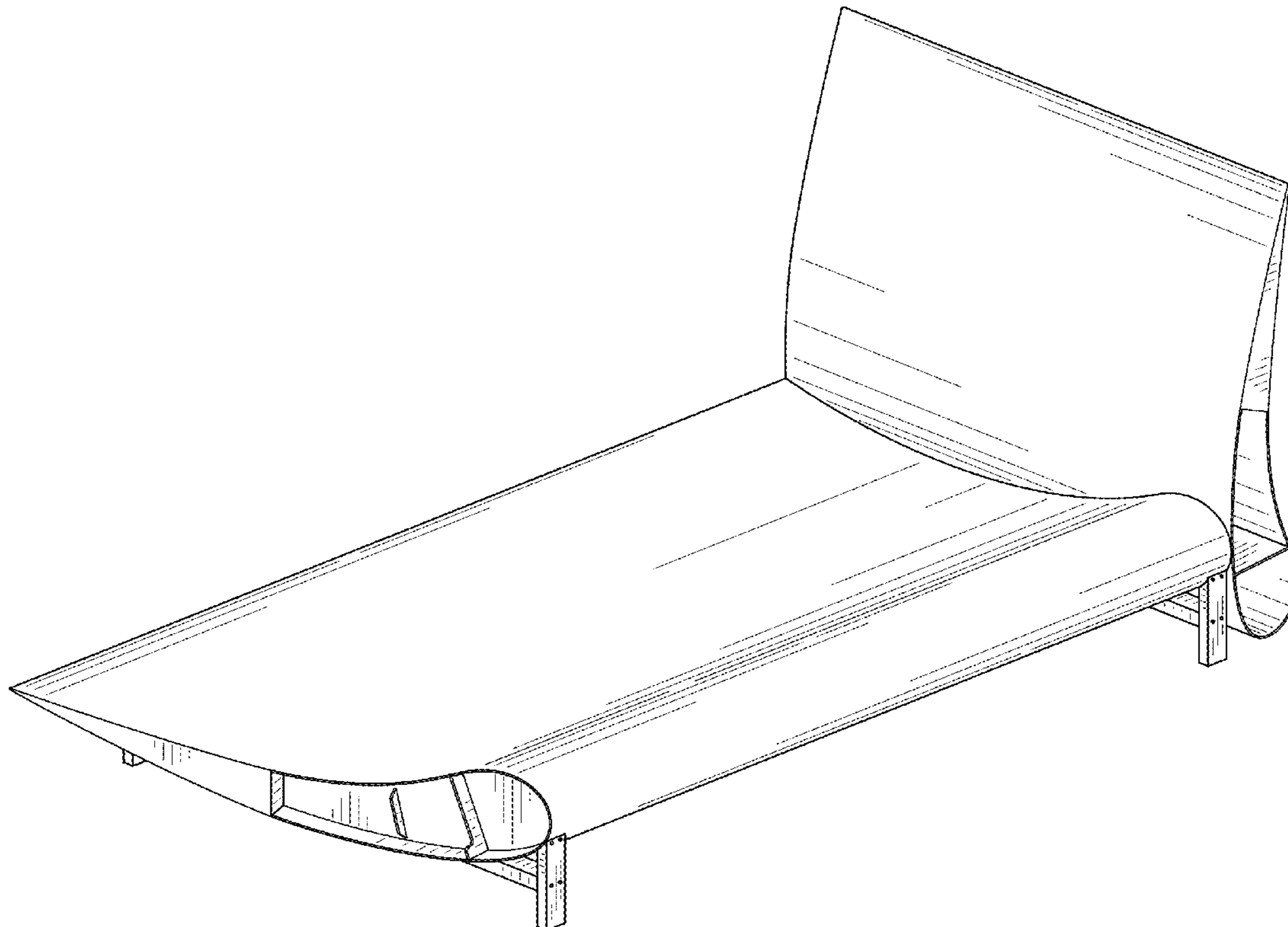
(57) **CLAIM**

The ornamental design for a platform bed with headboard, as shown and described.

DESCRIPTION

FIG. 1 is a front right perspective view of a platform bed with headboard showing my new design; FIG. 2 is a back right perspective view thereof; FIG. 3 is a front left perspective view thereof; FIG. 4 is a back left perspective view thereof; FIG. 5 is a front elevation view thereof; FIG. 6 is a back elevation view thereof; FIG. 7 is a right side elevation view thereof; FIG. 8 is a left side elevation view thereof; FIG. 9 is a top plan view thereof; and, FIG. 10 is a bottom plan view thereof.

1 Claim, 9 Drawing Sheets



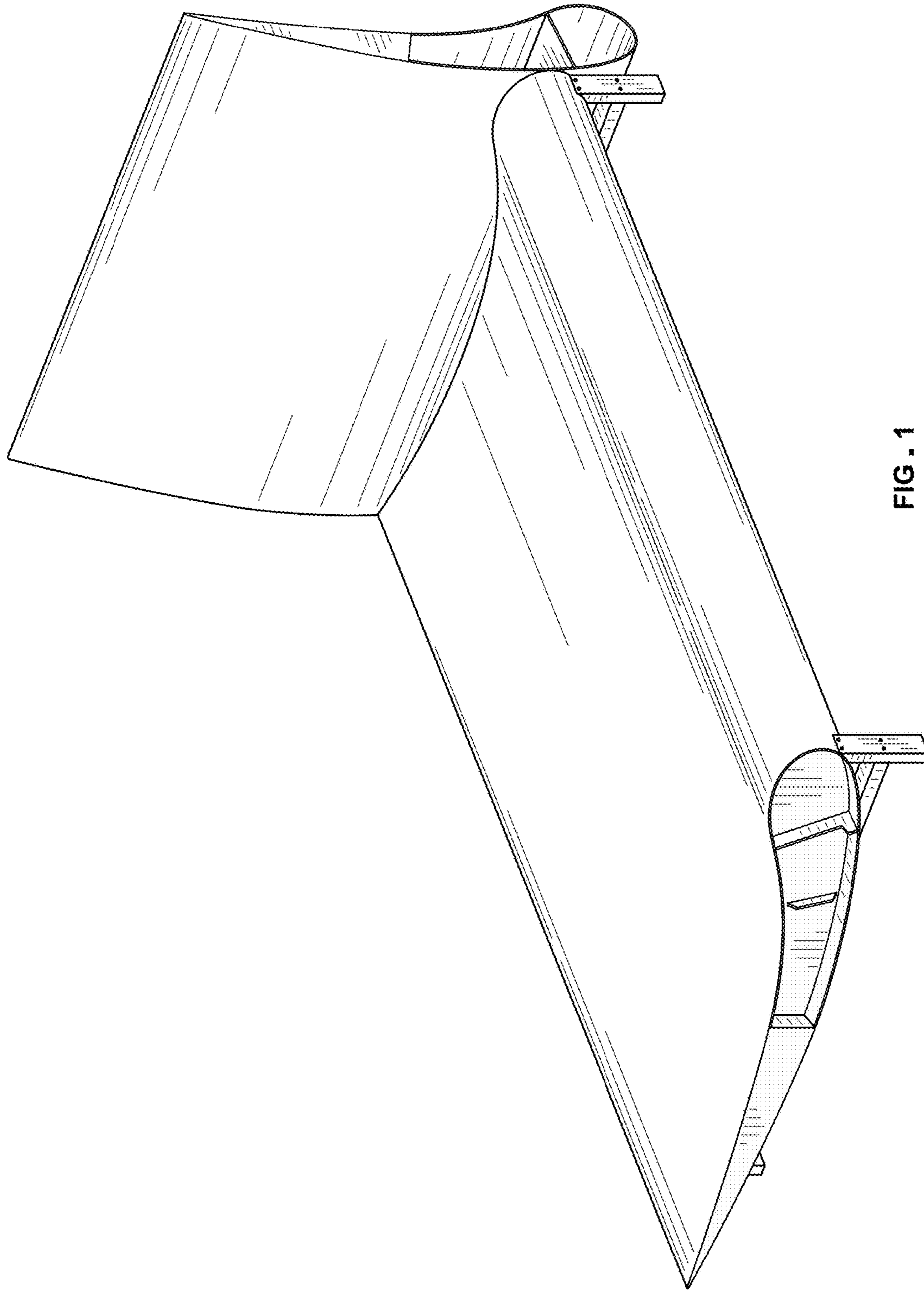


FIG. 1

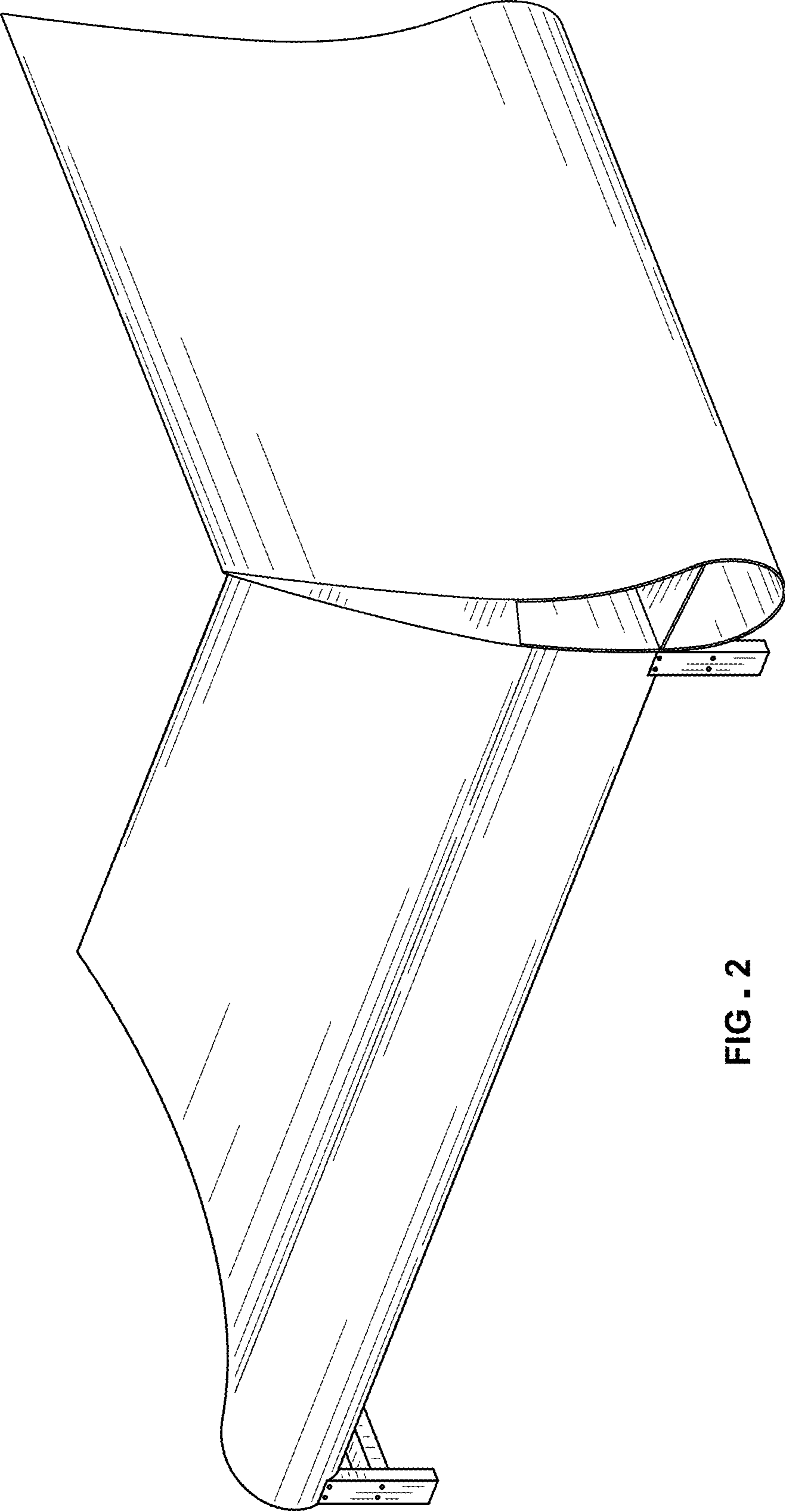


FIG - 2

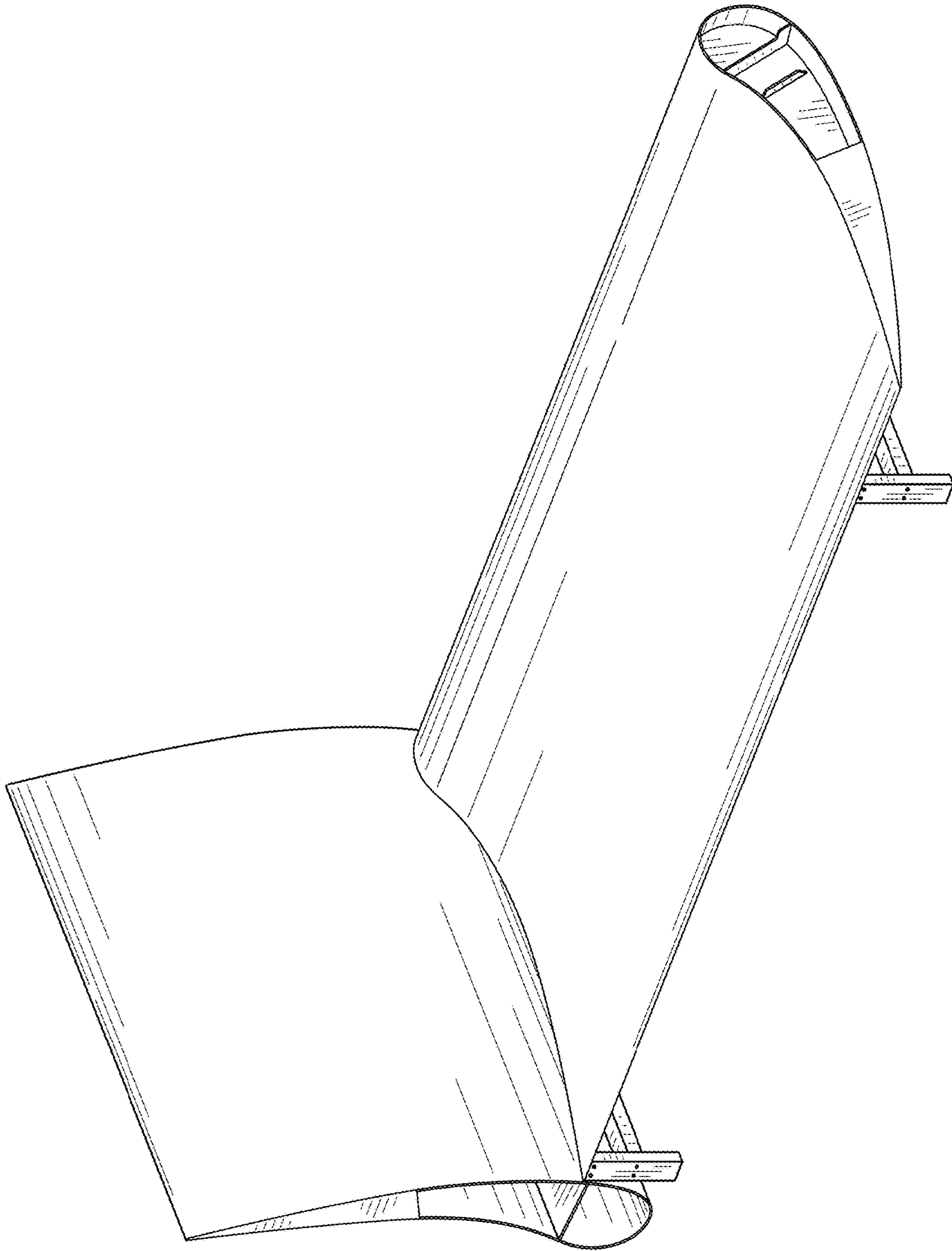


FIG. 3

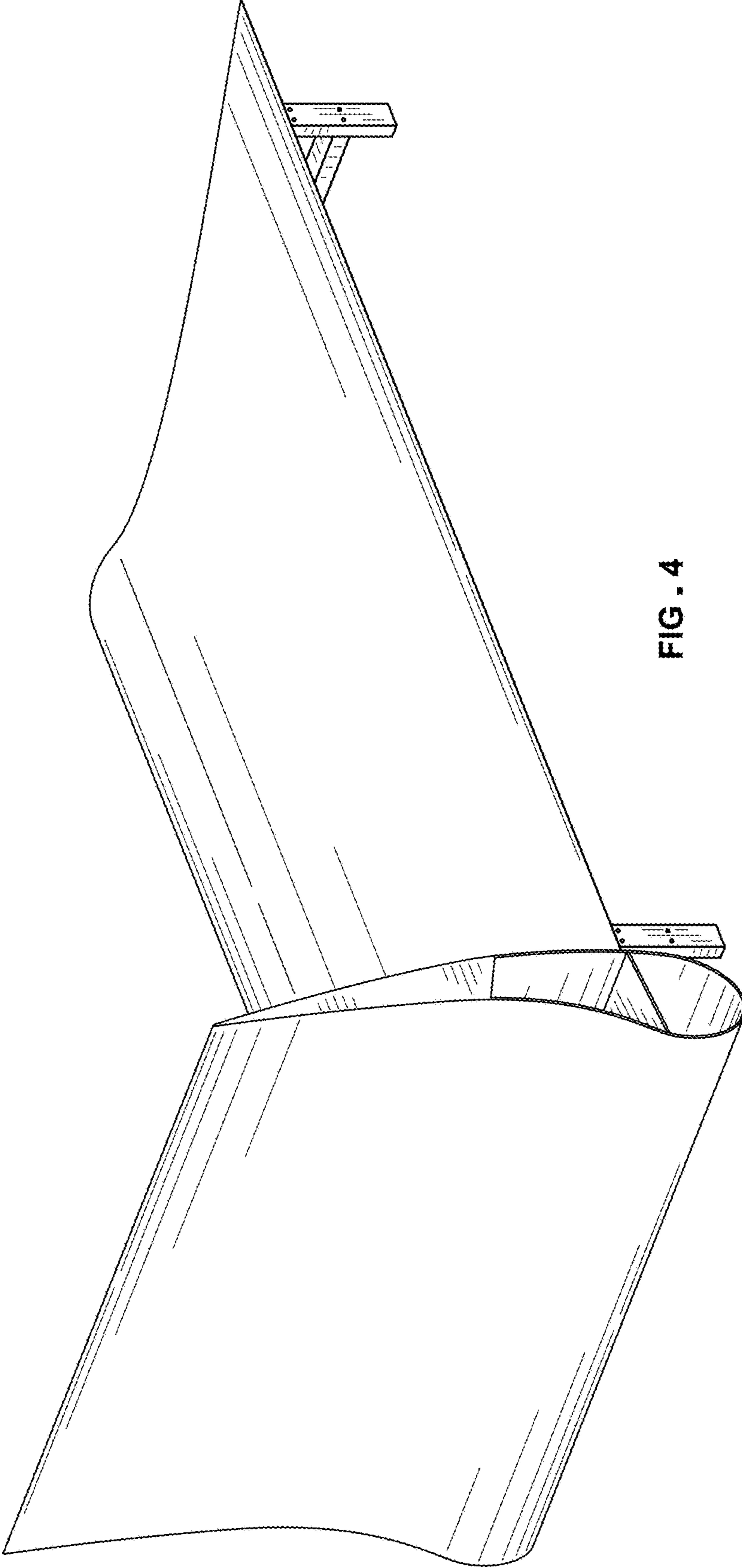


FIG. 4

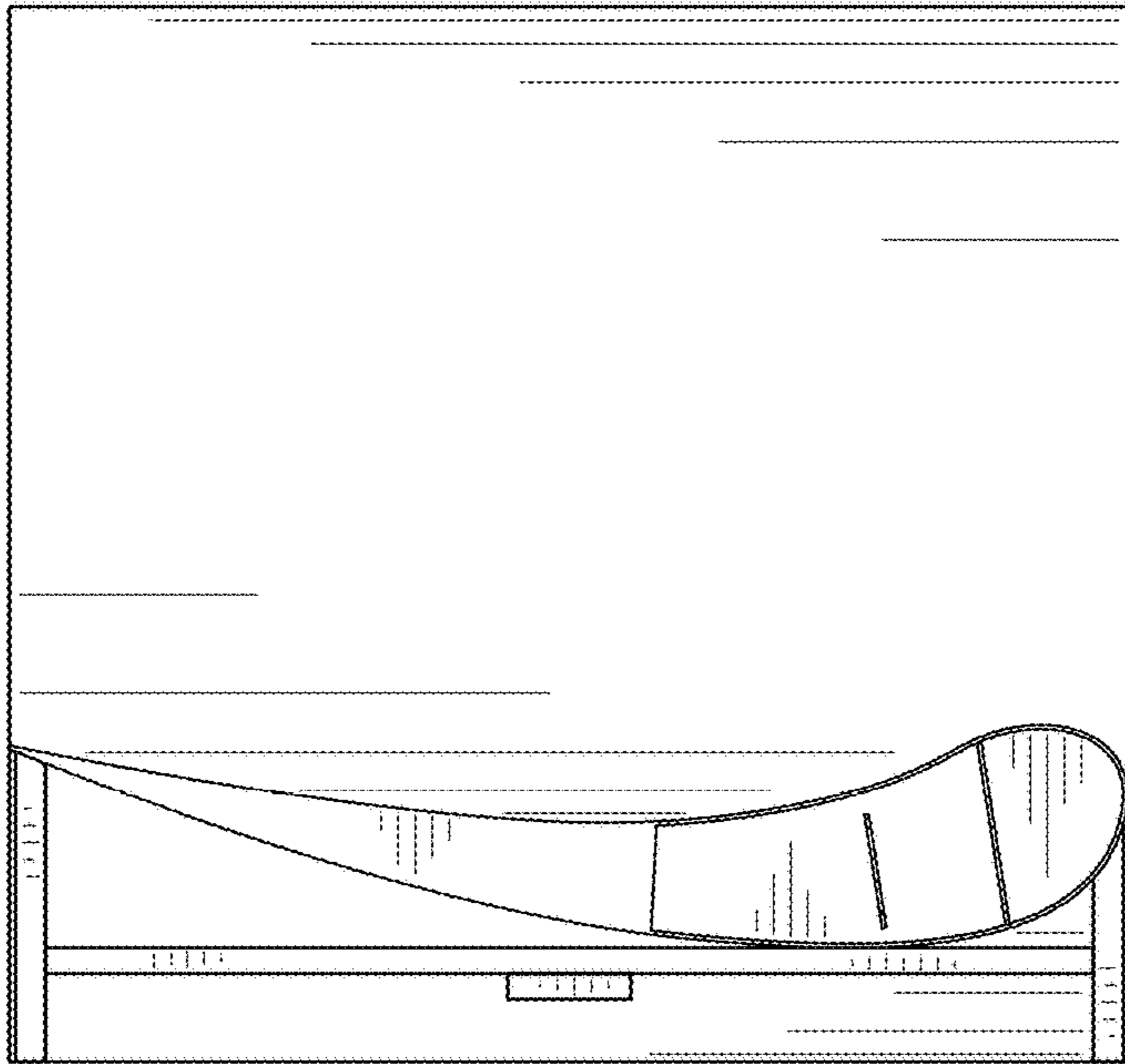


FIG. 5

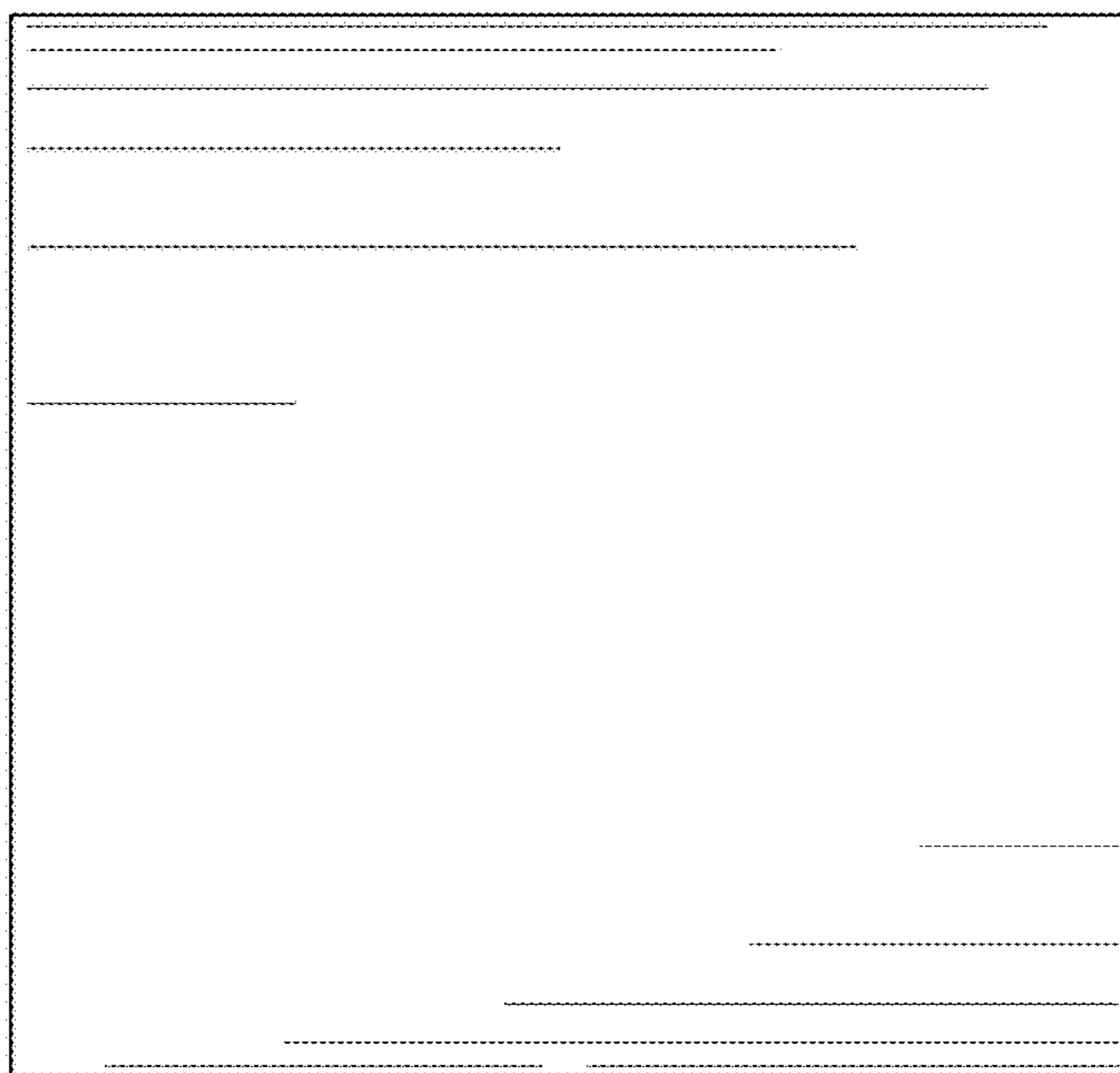


FIG. 6

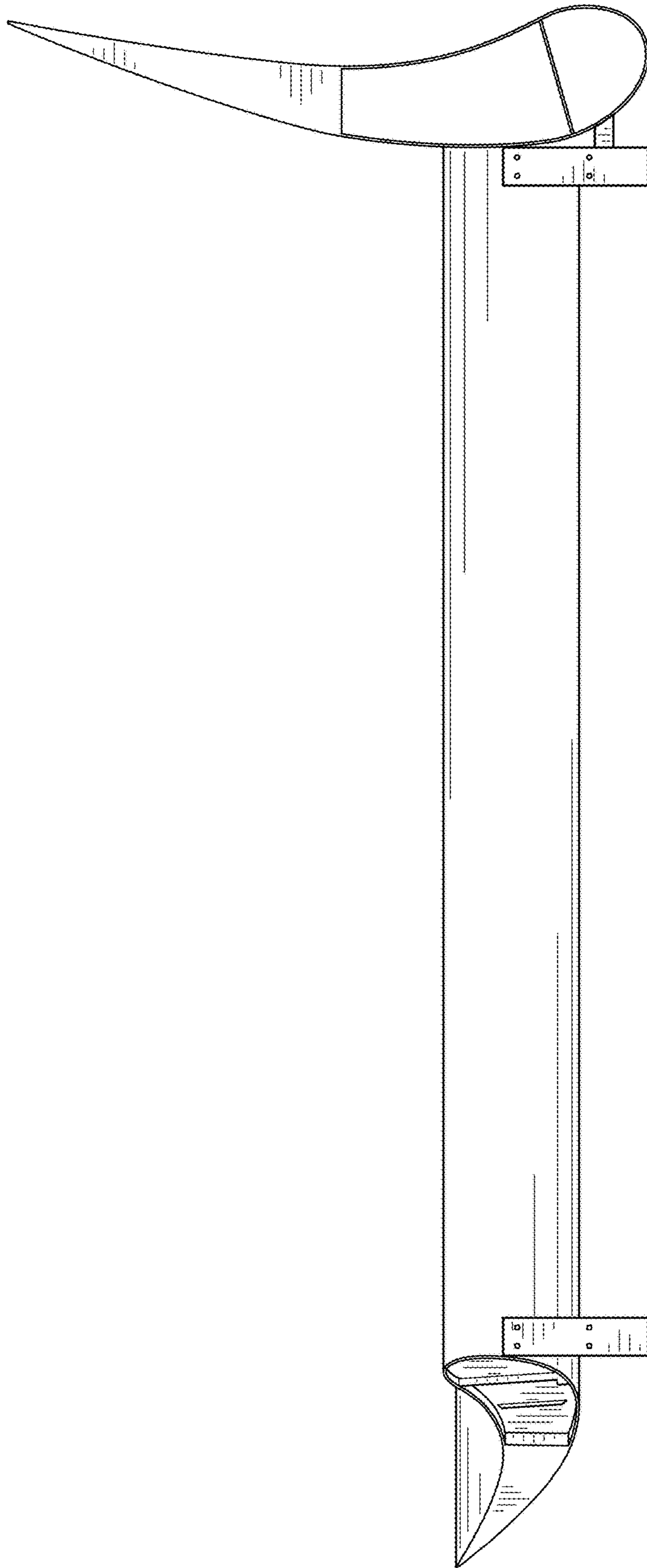


FIG. 7

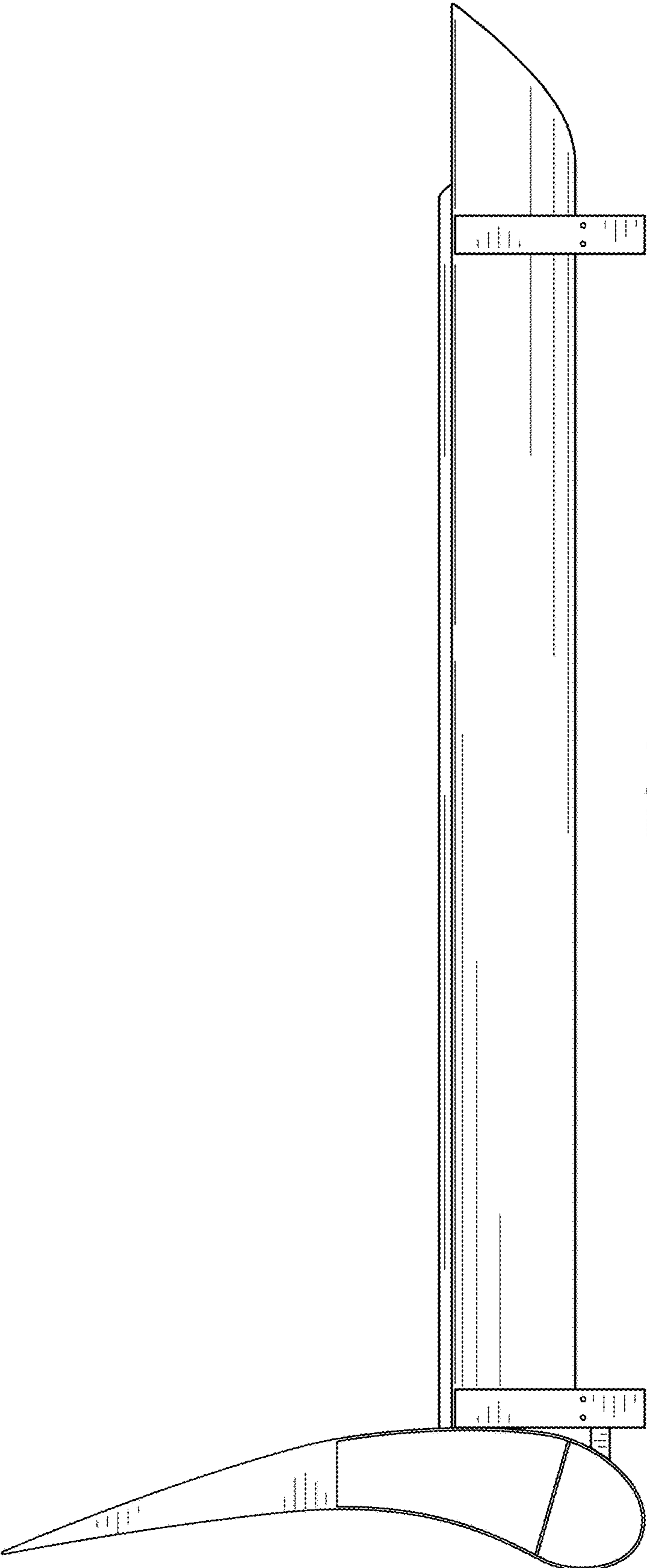


FIG. 8

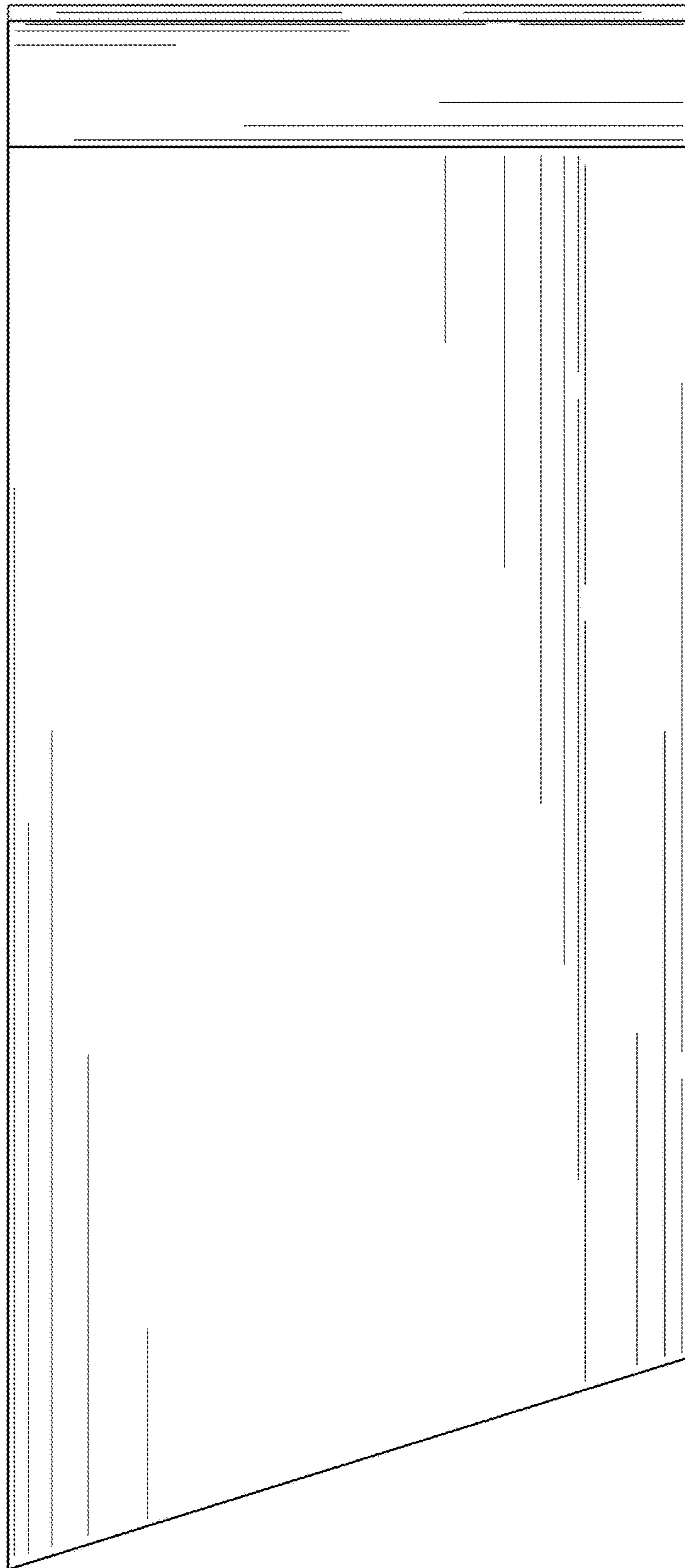


FIG. 9

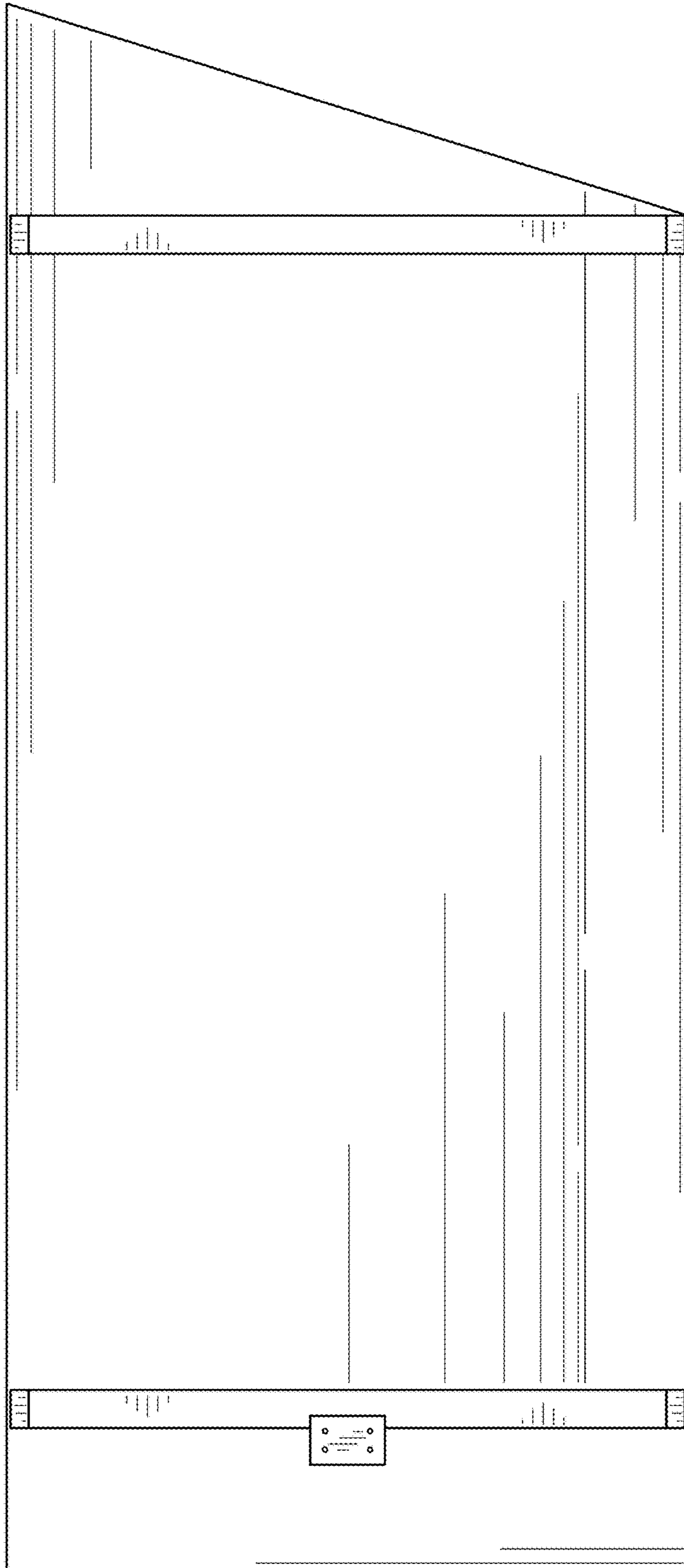


FIG. 10