



US00D830715S

(12) **United States Design Patent**  
**Siebert et al.**

(10) **Patent No.:** **US D830,715 S**

(45) **Date of Patent:** **\*\* Oct. 16, 2018**

(54) **ROCKING LOUNGE CHAIR**

(71) Applicant: **Brunswick Corporation**, Lake Forest, IL (US)

(72) Inventors: **Paul Brian Siebert**, Chicago, IL (US);  
**Joel Thomas Ruiter**, Grand Rapids, MI (US)

(73) Assignee: **Brunswick Corporation**, Mettawa, WI (US)

(\*\*) Term: **15 Years**

(21) Appl. No.: **29/605,457**

(22) Filed: **May 26, 2017**

(51) **LOC (11) Cl.** ..... **06-01**

(52) **U.S. Cl.**  
USPC ..... **D6/378; D6/344**

(58) **Field of Classification Search**  
USPC ..... D6/344-349, 709, 709.22, 709.2, 716,  
D6/708, 708.2, 716.8, 378, 355, 368, 352  
CPC ..... A47D 13/102; A47C 3/02; A47C 3/029;  
A47C 4/28  
See application file for complete search history.

(56) **References Cited**

**U.S. PATENT DOCUMENTS**

1,983,207	A *	12/1934	Witzel	.....	A47C 3/029 297/270.3
3,756,657	A *	9/1973	Johnson	.....	A47C 4/02 297/440.1
D235,179	S *	5/1975	Bernard	.....	D6/378
D262,421	S *	12/1981	Aronowitz	.....	D6/364
D448,196	S *	9/2001	Gomez	.....	D6/377
D482,535	S *	11/2003	Williams	.....	D6/334
D527,196	S *	8/2006	Antonioni	.....	D6/381
D538,549	S *	3/2007	Spear	.....	D6/381
D541,075	S *	4/2007	Natuzzi	.....	D6/381
D542,478	S *	5/2007	Andriola	.....	D30/118
D609,034	S *	2/2010	Lissoni	.....	D6/716

D624,762	S *	10/2010	Podsiadlo	.....	D6/348
D669,702	S *	10/2012	Barefoot	.....	D6/378
D708,451	S *	7/2014	Gashcy	.....	D6/378
D725,398	S *	3/2015	Lee	.....	D6/378
D727,052	S *	4/2015	Lee	.....	D6/378
D737,588	S *	9/2015	Lenhart	.....	D6/373
D741,617	S *	10/2015	George, II	.....	D6/378
D751,315	S *	3/2016	Schroeder	.....	D6/378

(Continued)

*Primary Examiner* — Deanna L Pratt

(74) *Attorney, Agent, or Firm* — Andrus Intellectual Property Law, LLP

(57) **CLAIM**

The ornamental design for a rocking lounge chair, as shown and described.

**DESCRIPTION**

FIG. 1 is a perspective view of a first embodiment of a rocking lounge chair.

FIG. 2 is a front side view of the first embodiment.

FIG. 3 is a rear view of the first embodiment.

FIG. 4 is a right side view of the first embodiment.

FIG. 5 is a left side view of the first embodiment.

FIG. 6 is a top view of the first embodiment.

FIG. 7 is a bottom view of the first embodiment.

FIG. 8 is a perspective view of a second embodiment of the rocking lounge chair.

FIG. 9 is a front view of the second embodiment.

FIG. 10 is a rear view of the second embodiment.

FIG. 11 is a right side view of the second embodiment.

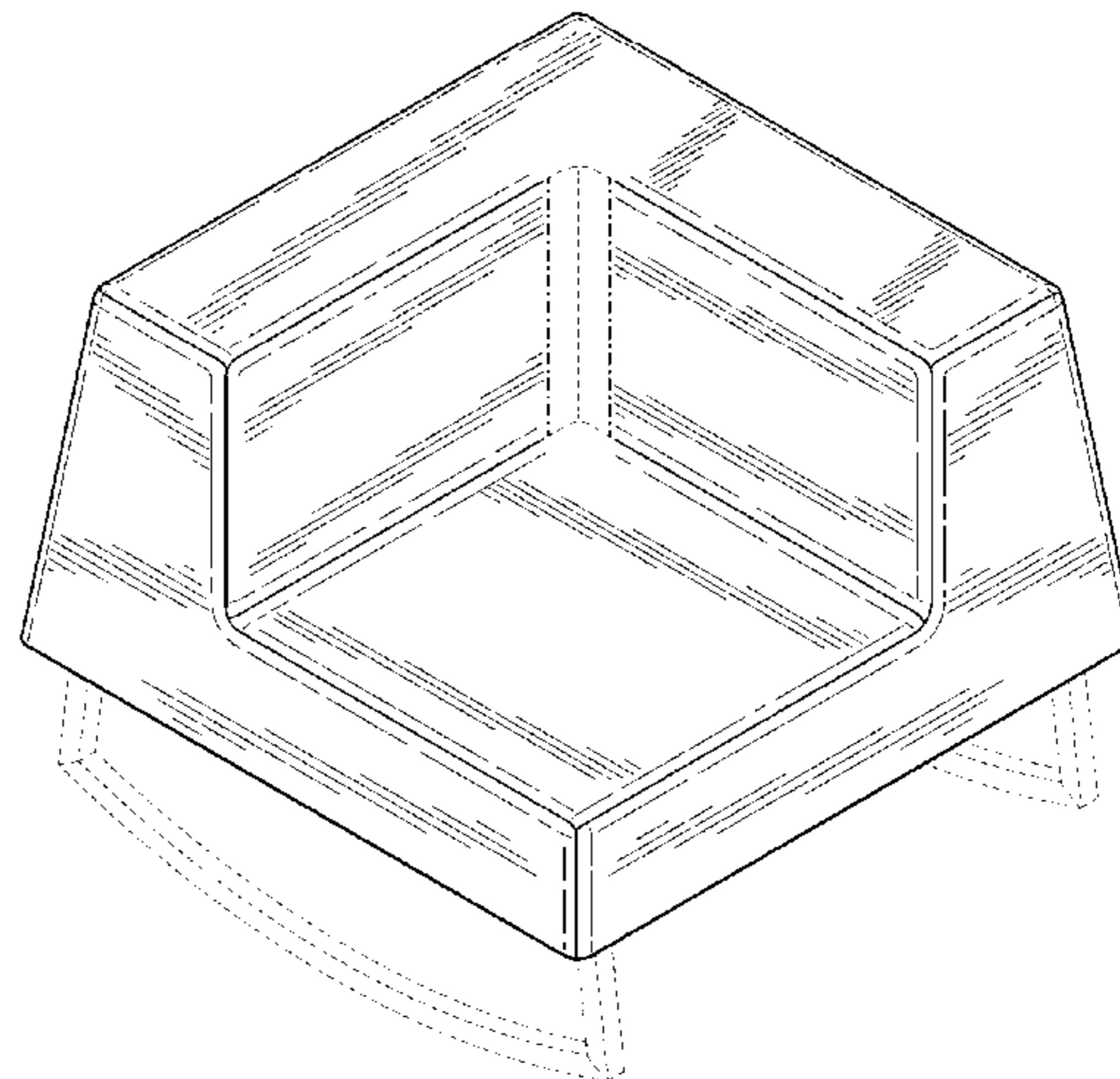
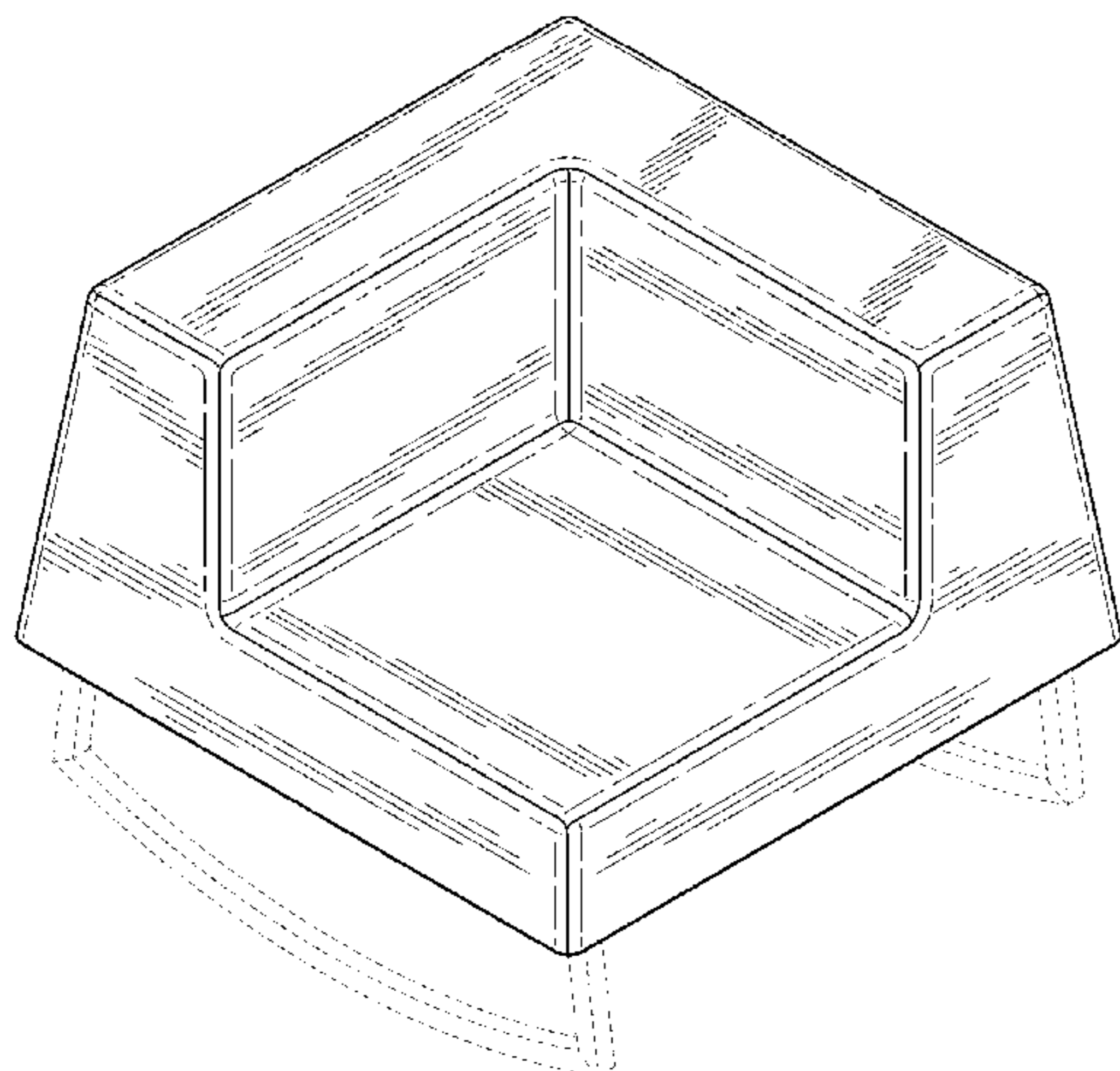
FIG. 12 is a left side view of the second embodiment.

FIG. 13 is a top view of the second embodiment; and,

FIG. 14 is a bottom view of the second embodiment.

The evenly-spaced broken lines in FIGS. 1-14 illustrate portions of the rocking lounge chair that form no part of the claimed design. The dash-dot-type broken lines in FIGS. 8-14 illustrate the boundary of the claimed design and form no part thereof.

**1 Claim, 12 Drawing Sheets**



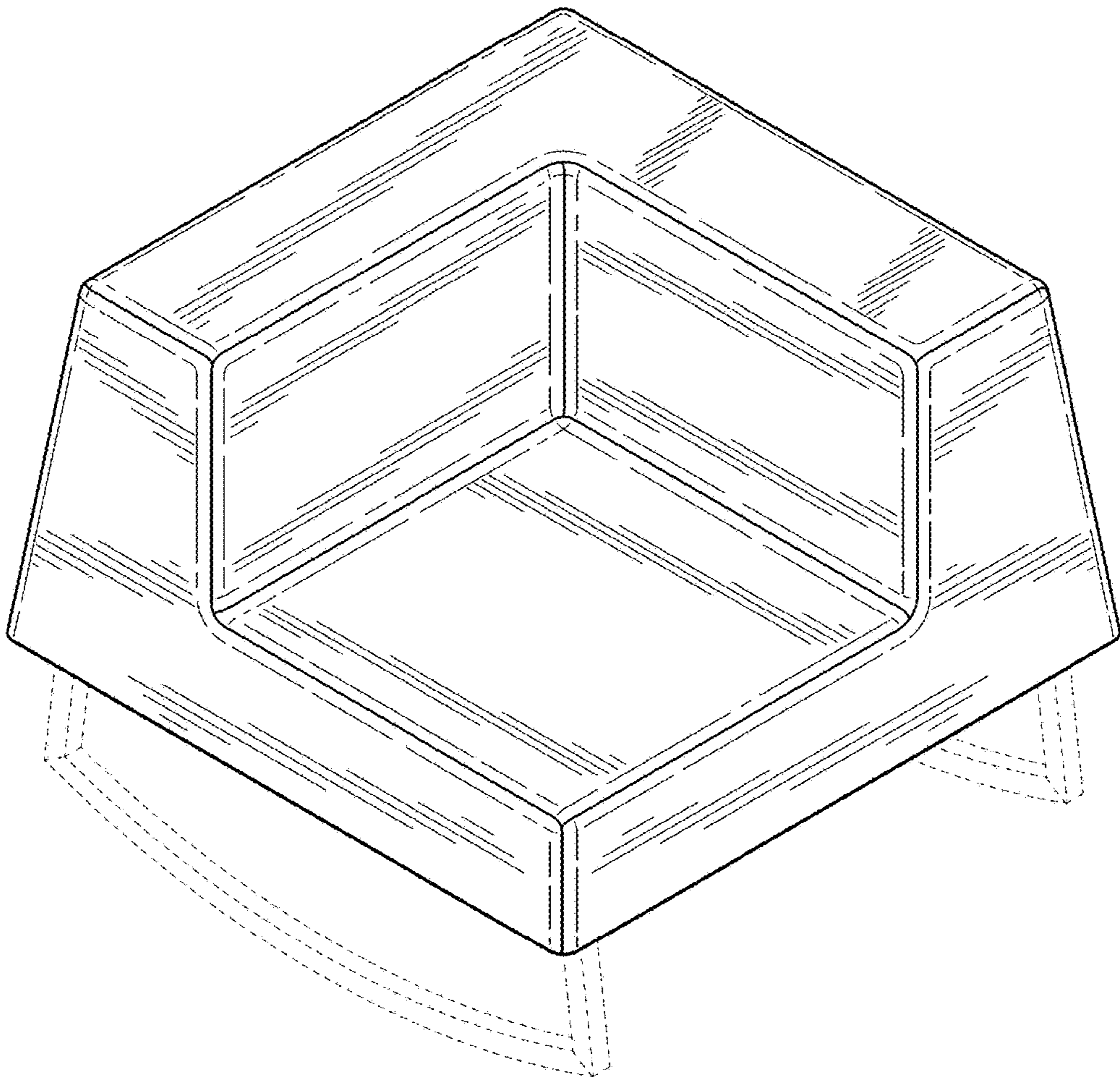
(56)

**References Cited**

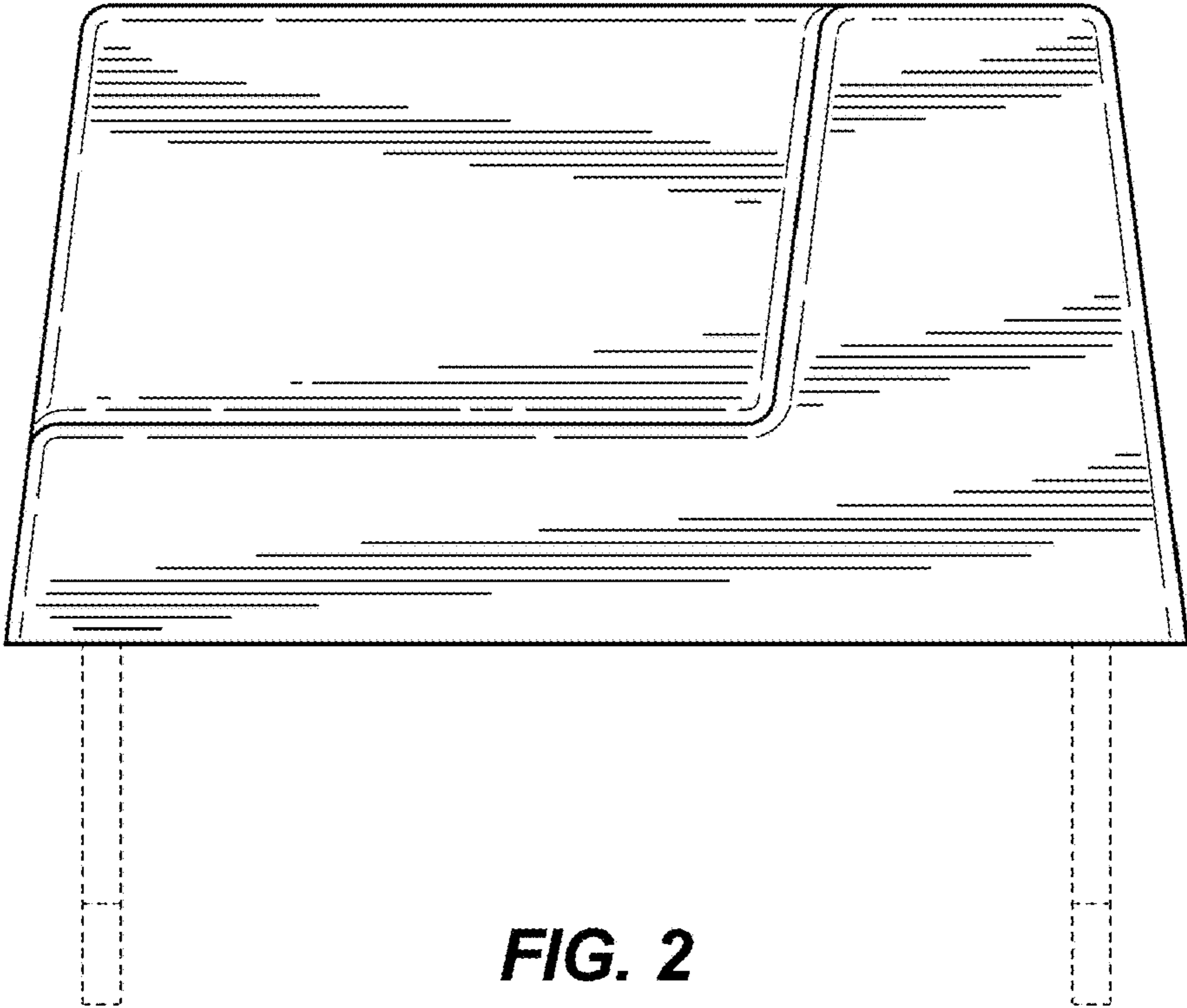
U.S. PATENT DOCUMENTS

D752,893 S *	4/2016	Behar .....	D6/378
D756,677 S *	5/2016	George, II .....	D6/378
D761,048 S *	7/2016	Behar .....	D6/716
D763,592 S *	8/2016	King .....	D6/378
D809,316 S *	2/2018	Rockwell .....	D6/381
D811,756 S *	3/2018	Woods .....	D6/334

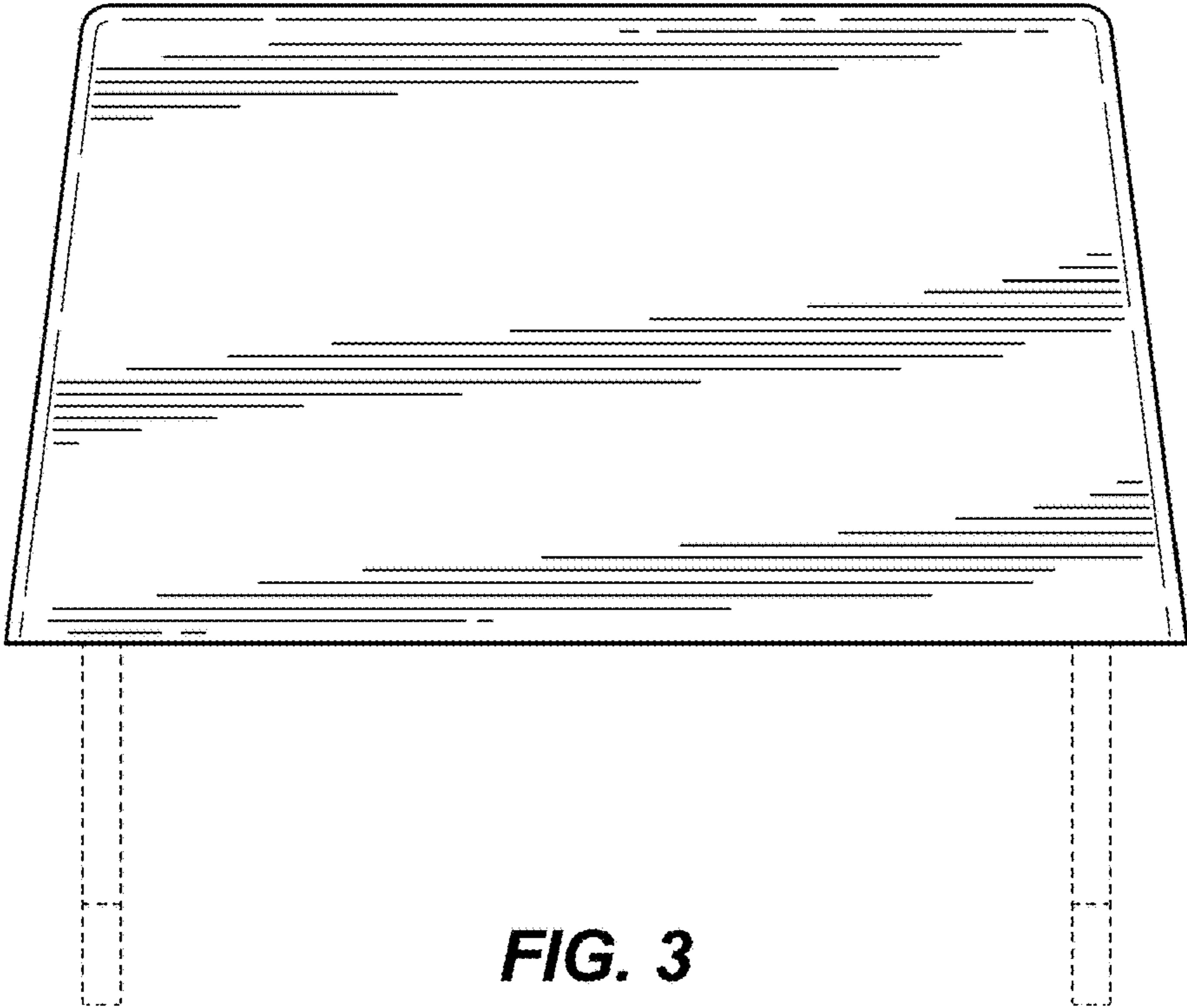
\* cited by examiner



**FIG. 1**

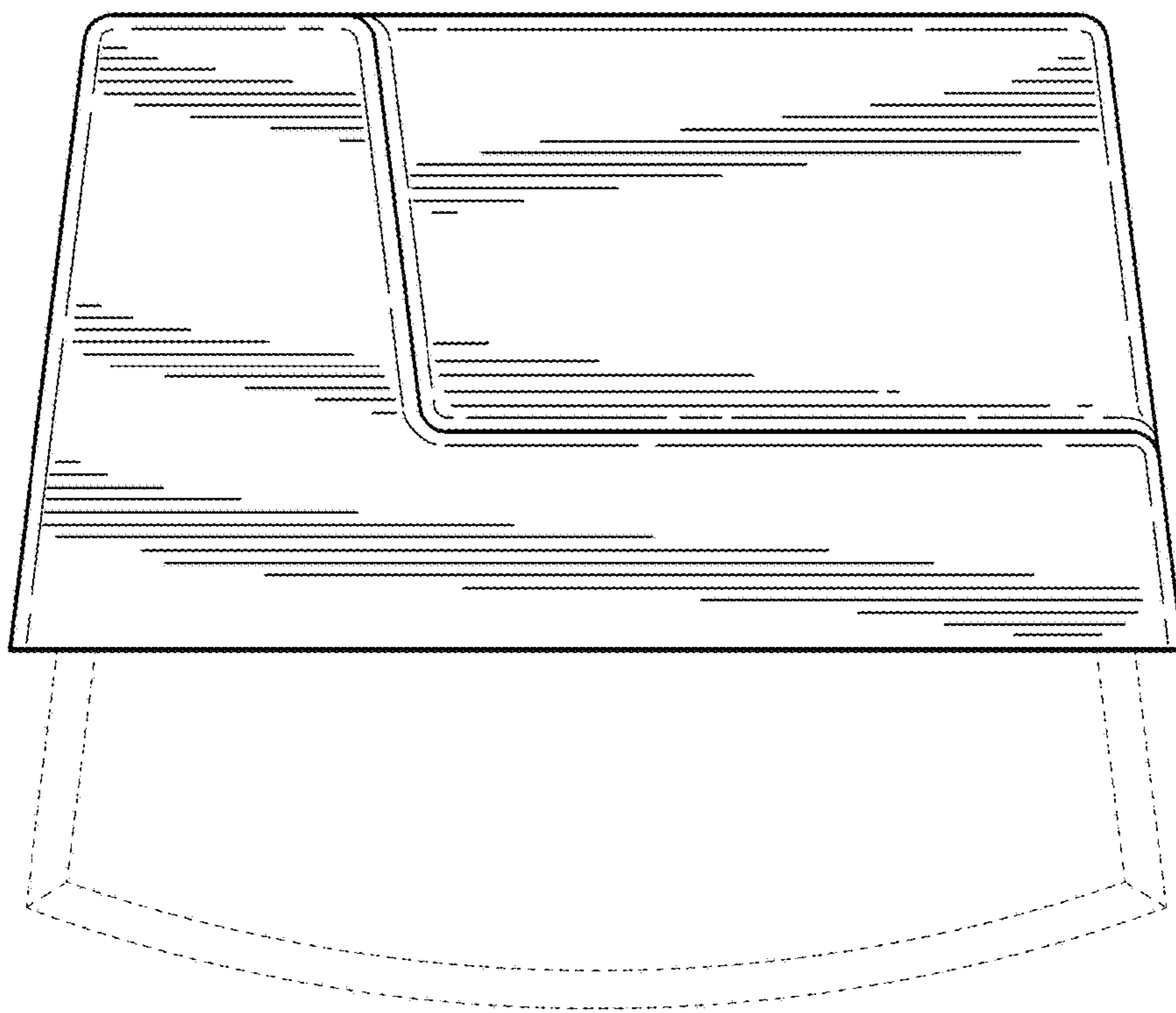


**FIG. 2**

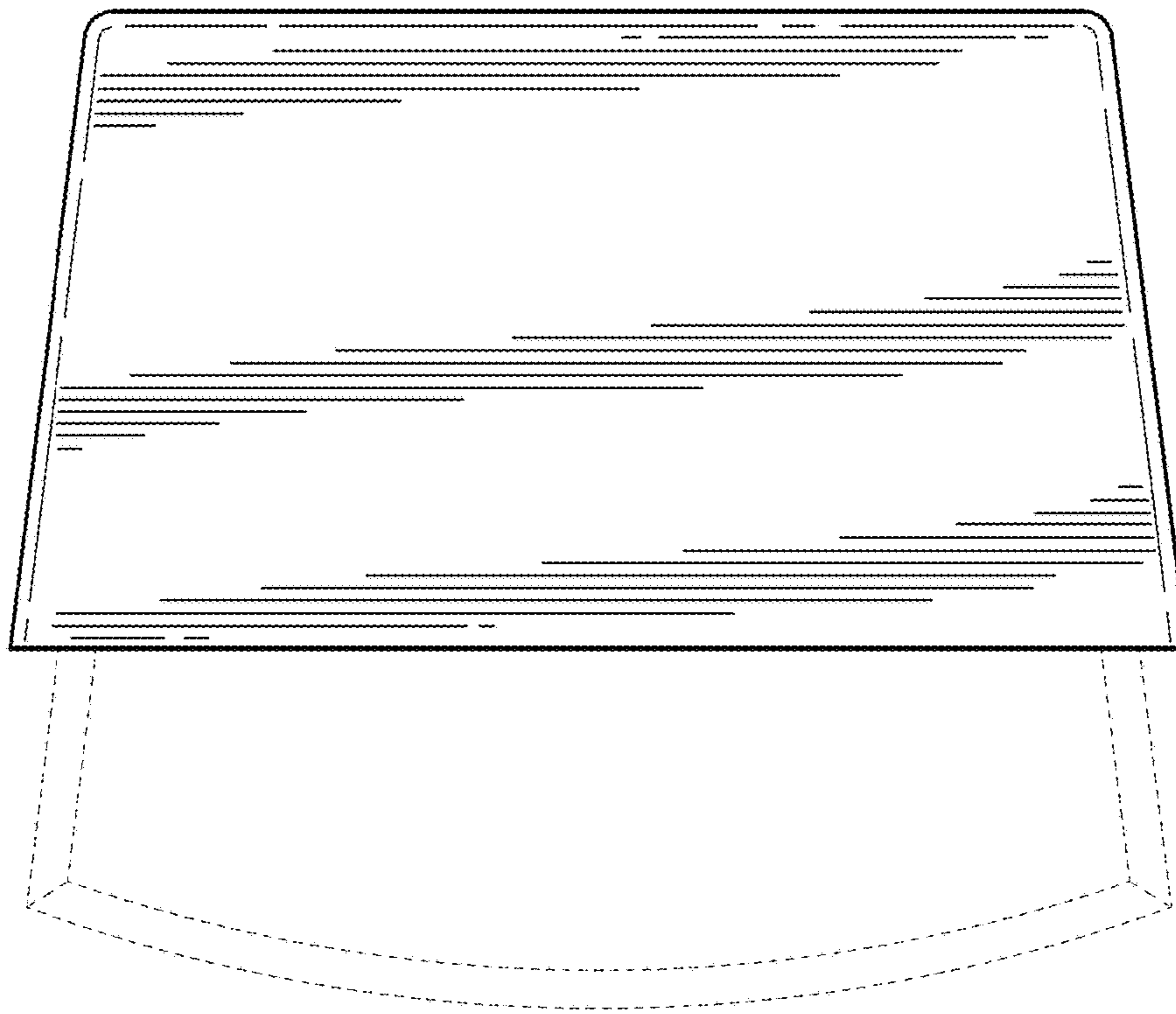


**FIG. 3**

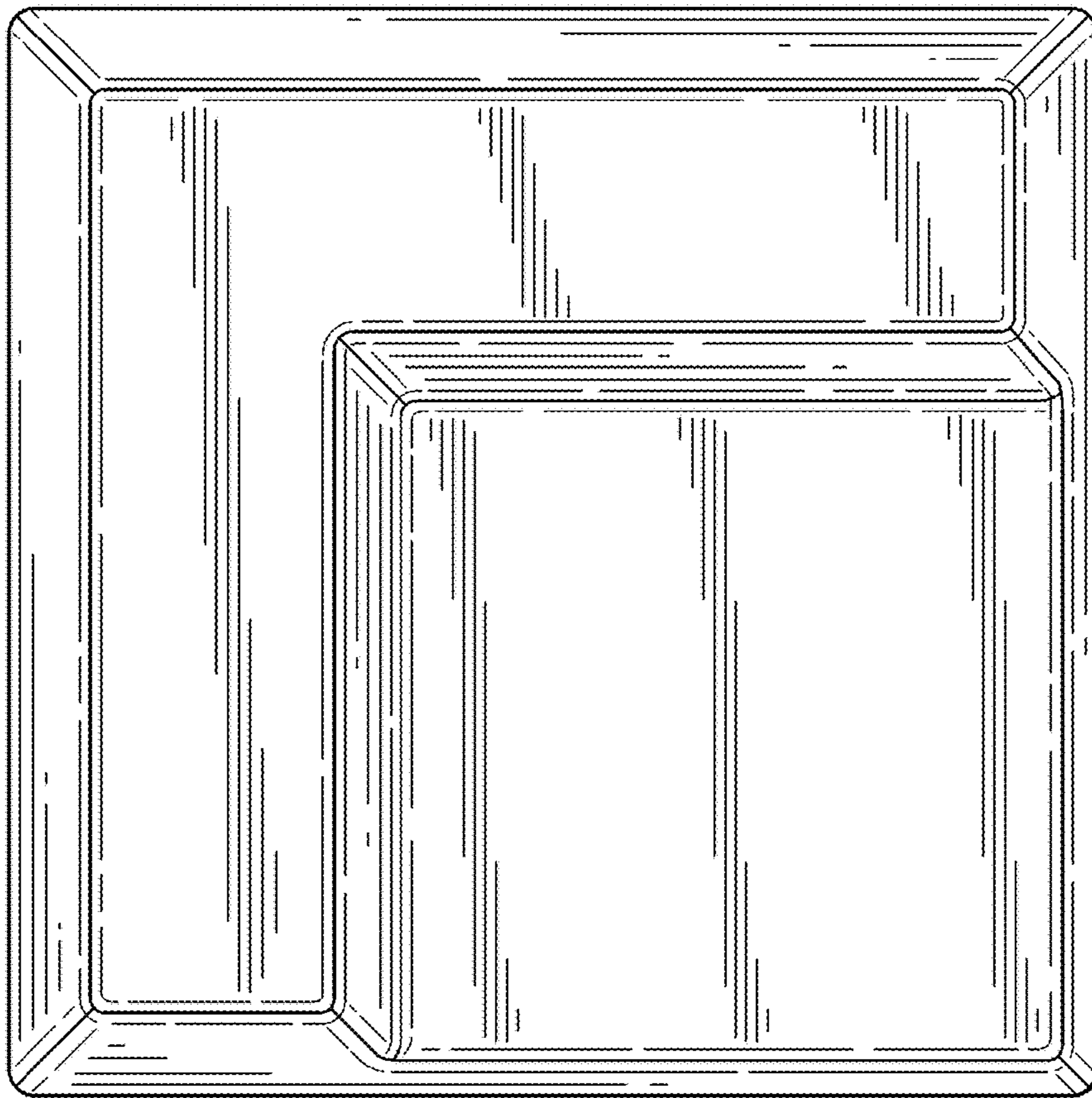




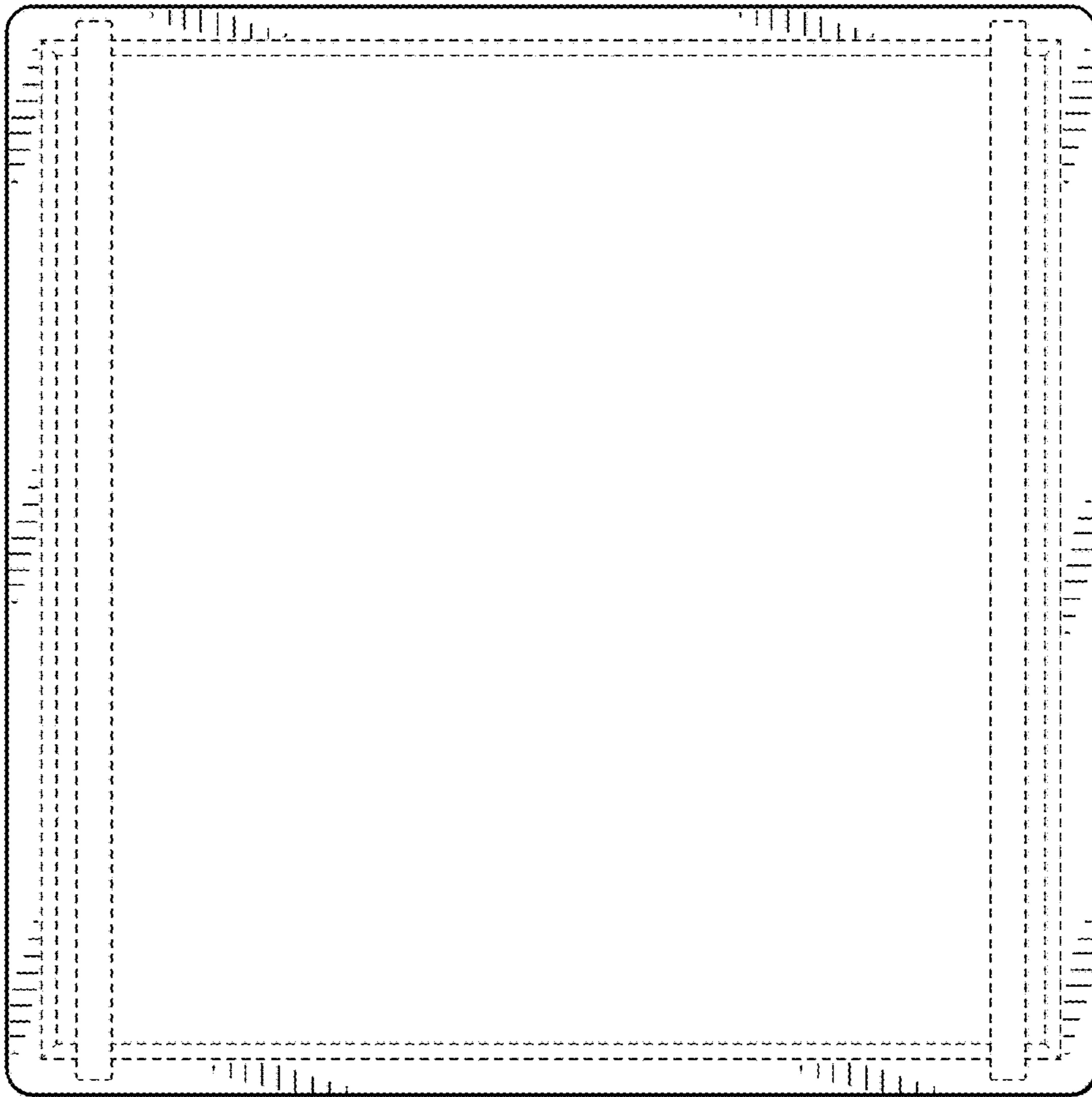
**FIG. 4**



**FIG. 5**

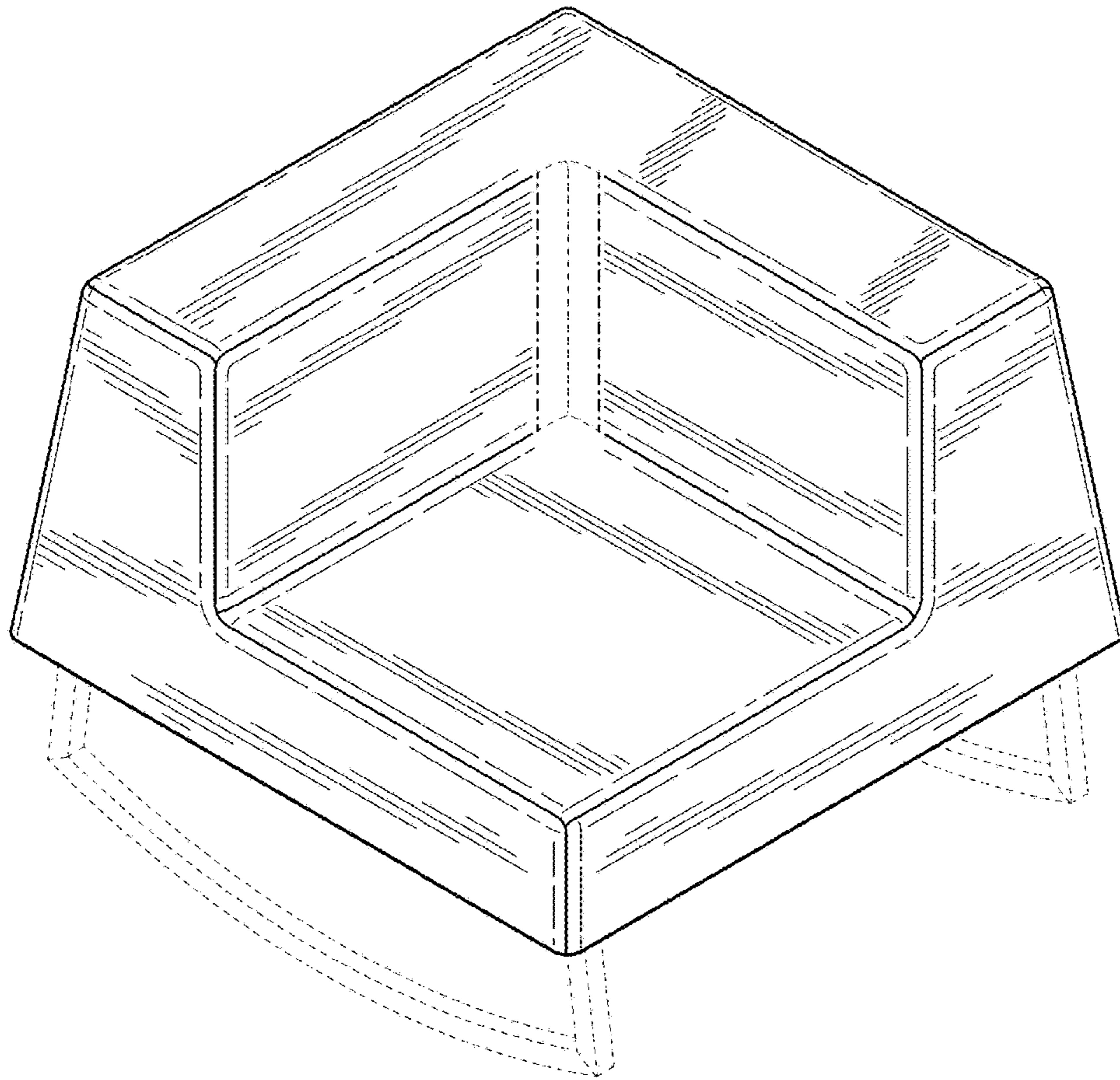


**FIG. 6**

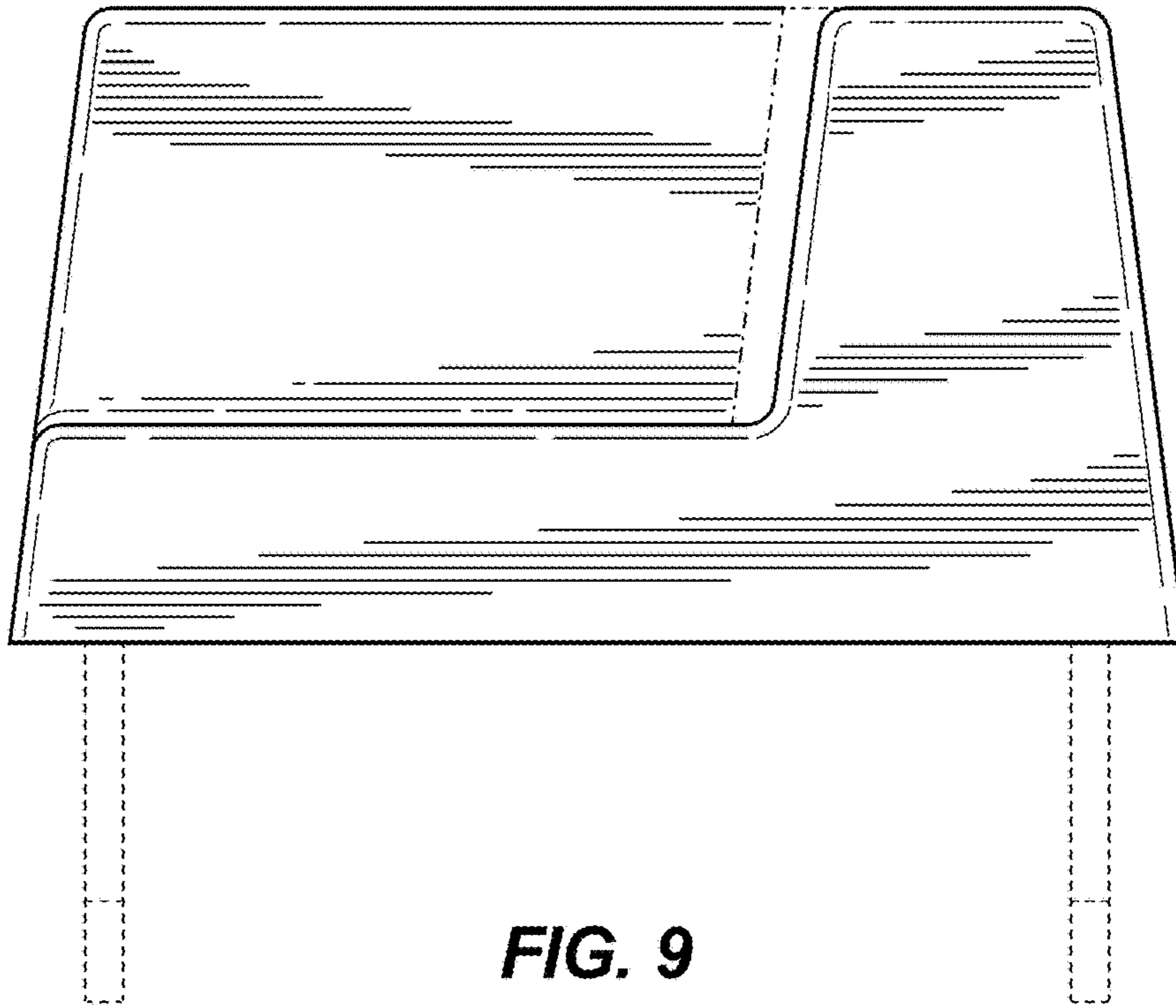


**FIG. 7**

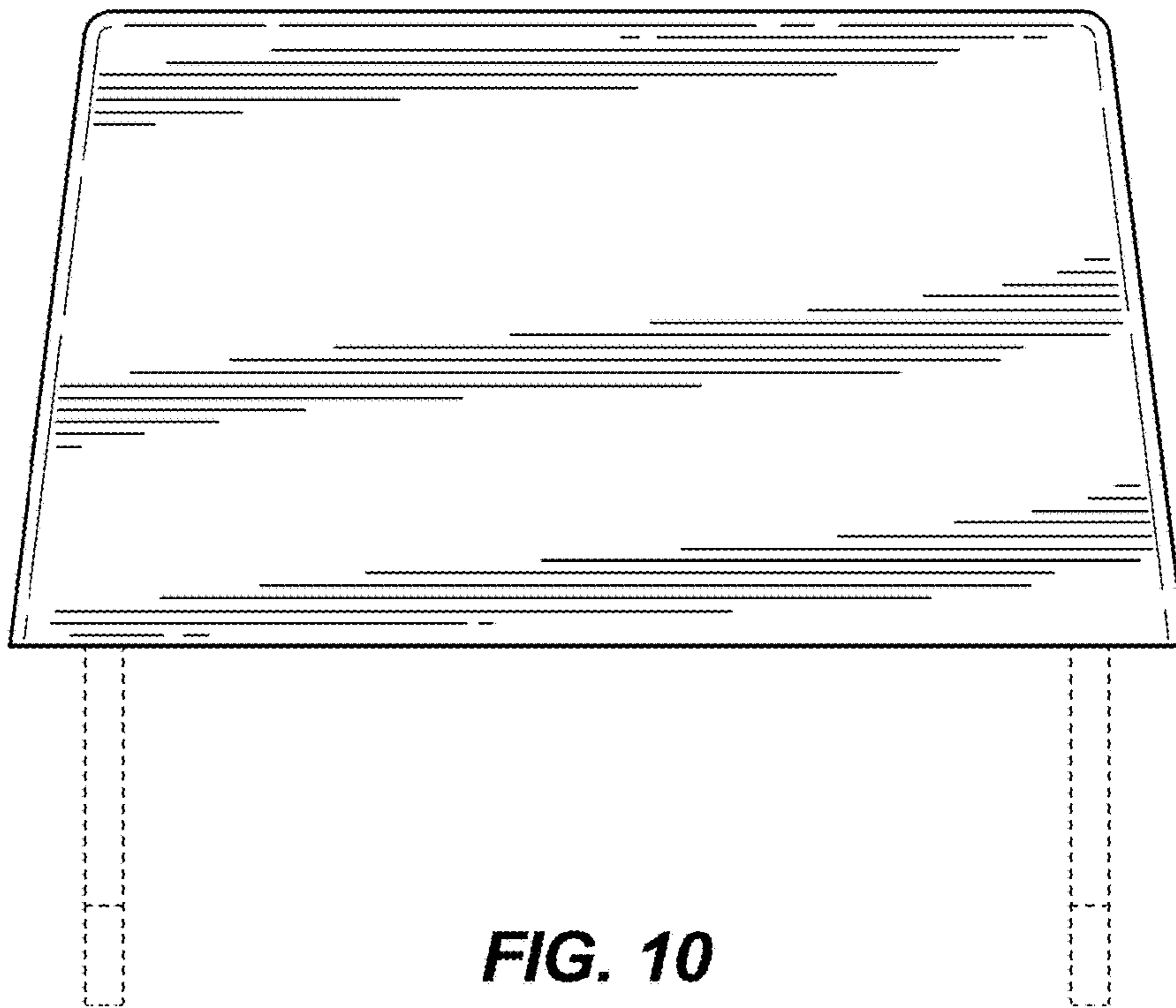




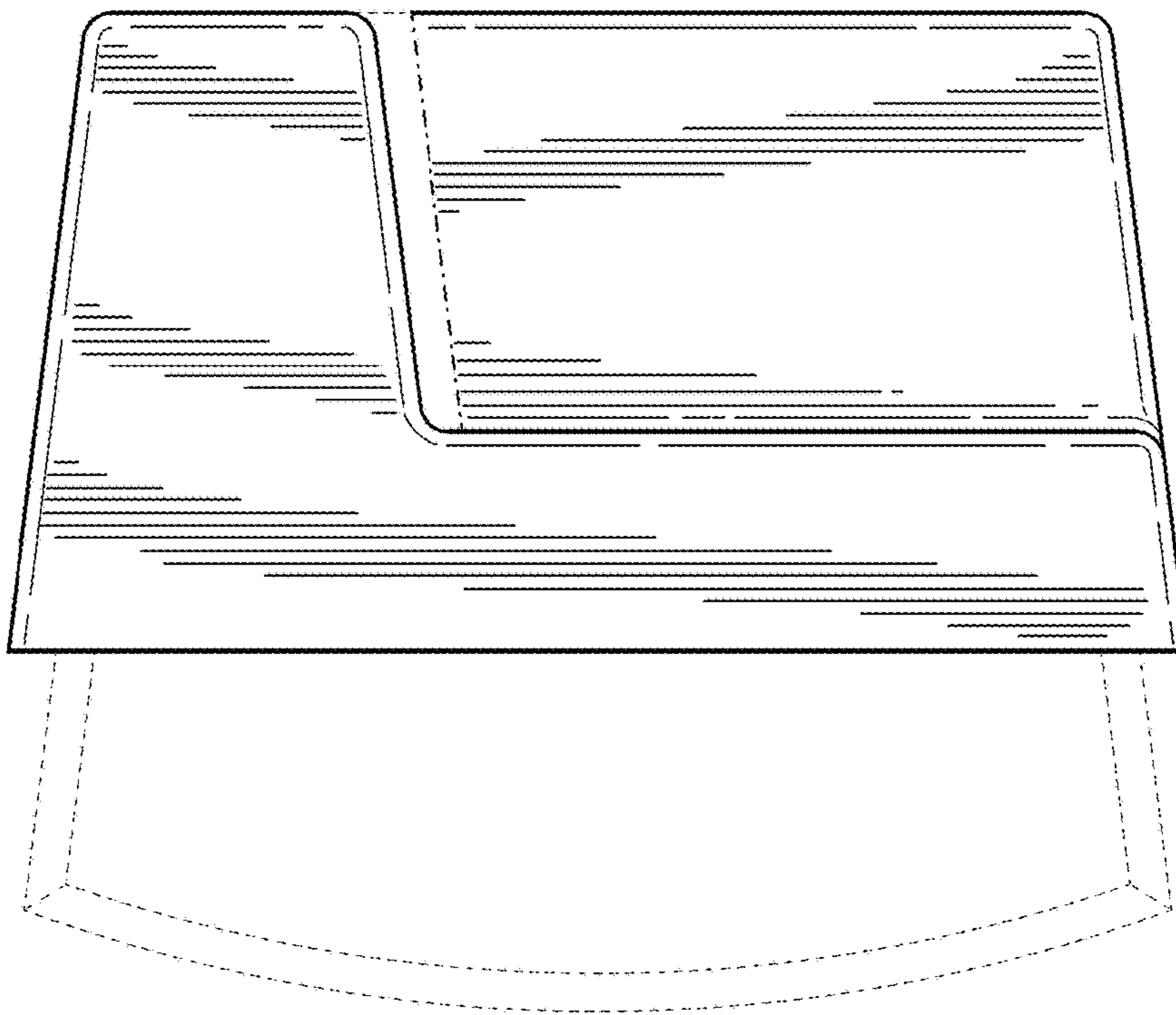
**FIG. 8**



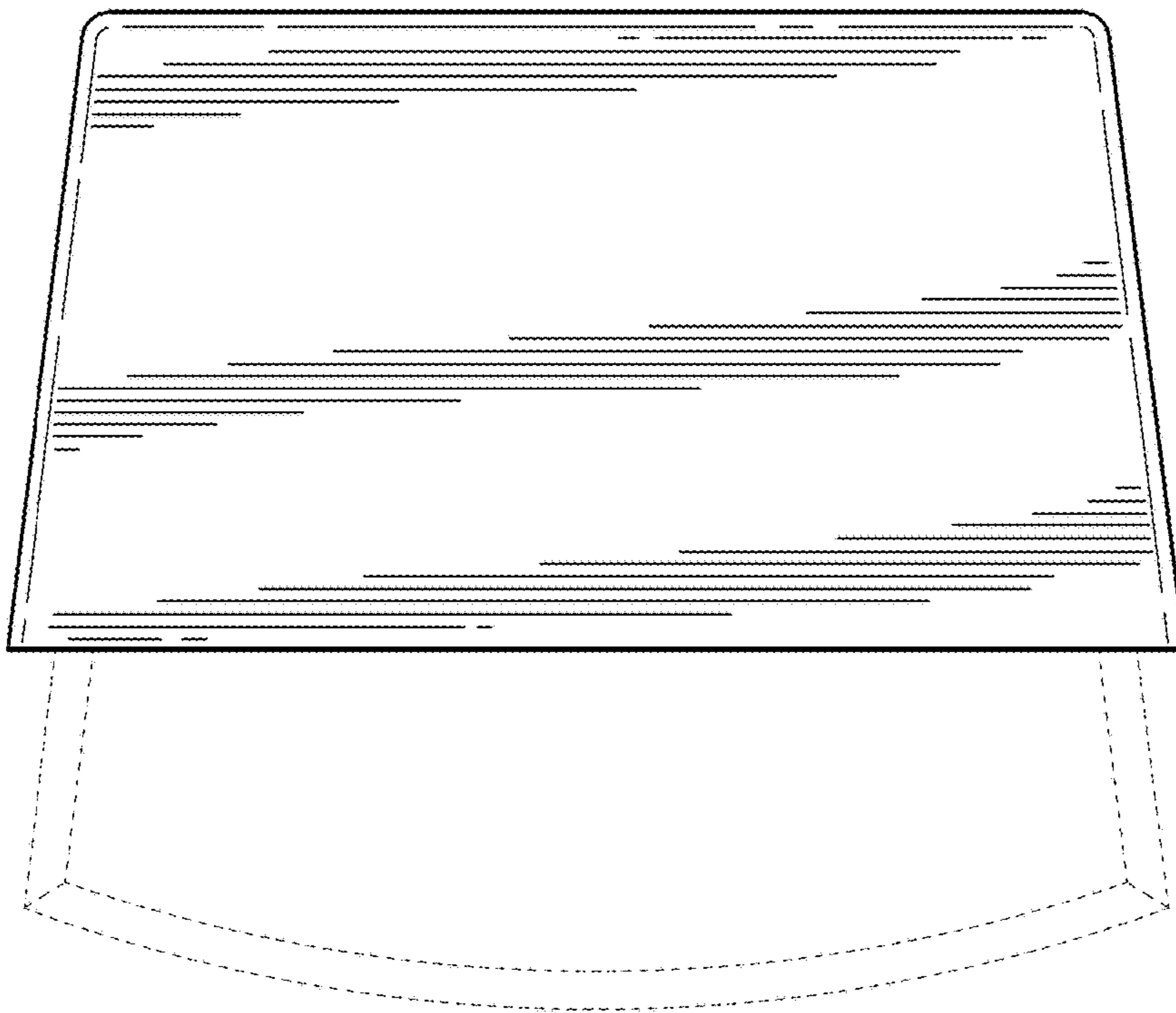
**FIG. 9**



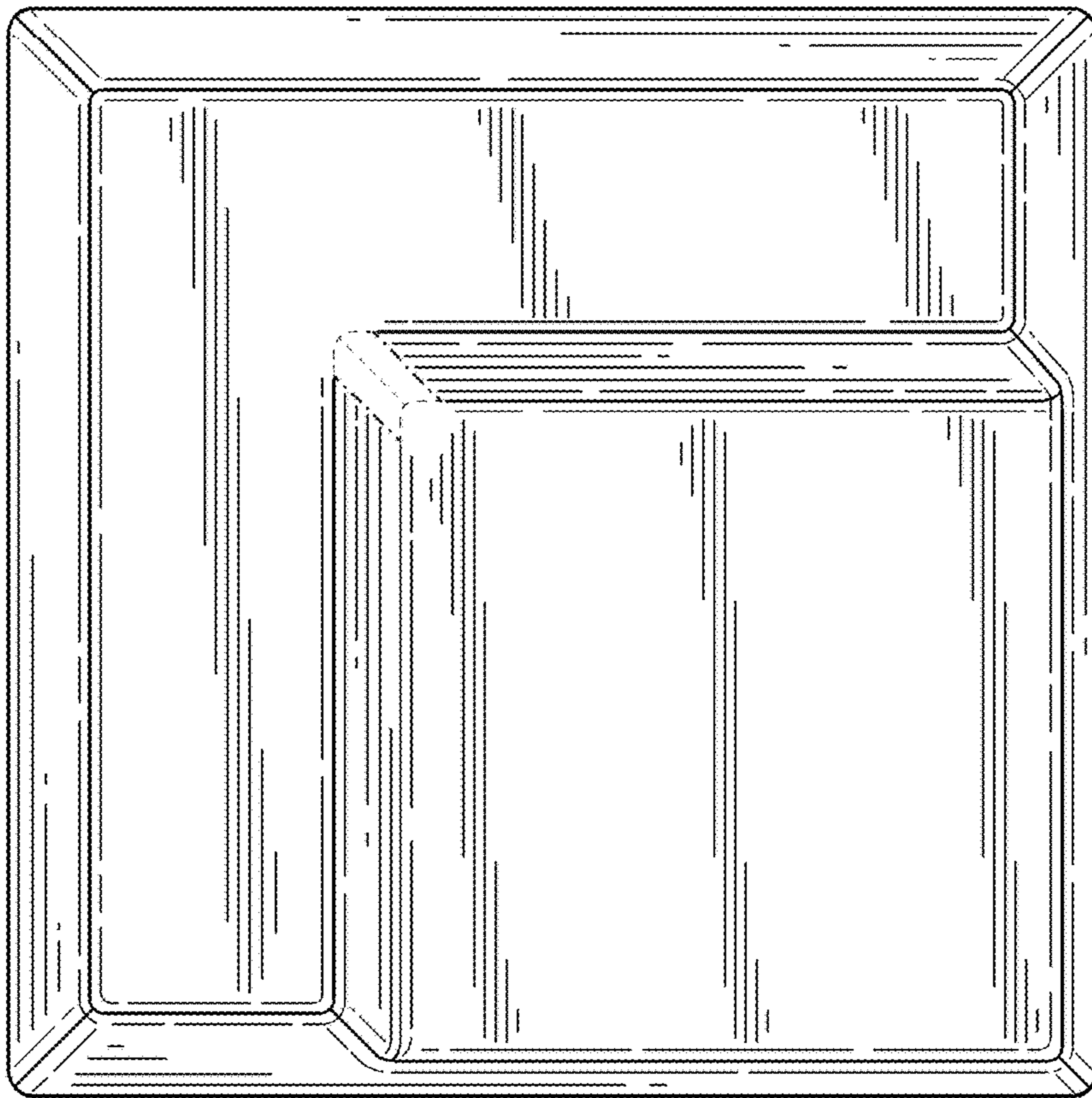
**FIG. 10**



**FIG. 11**

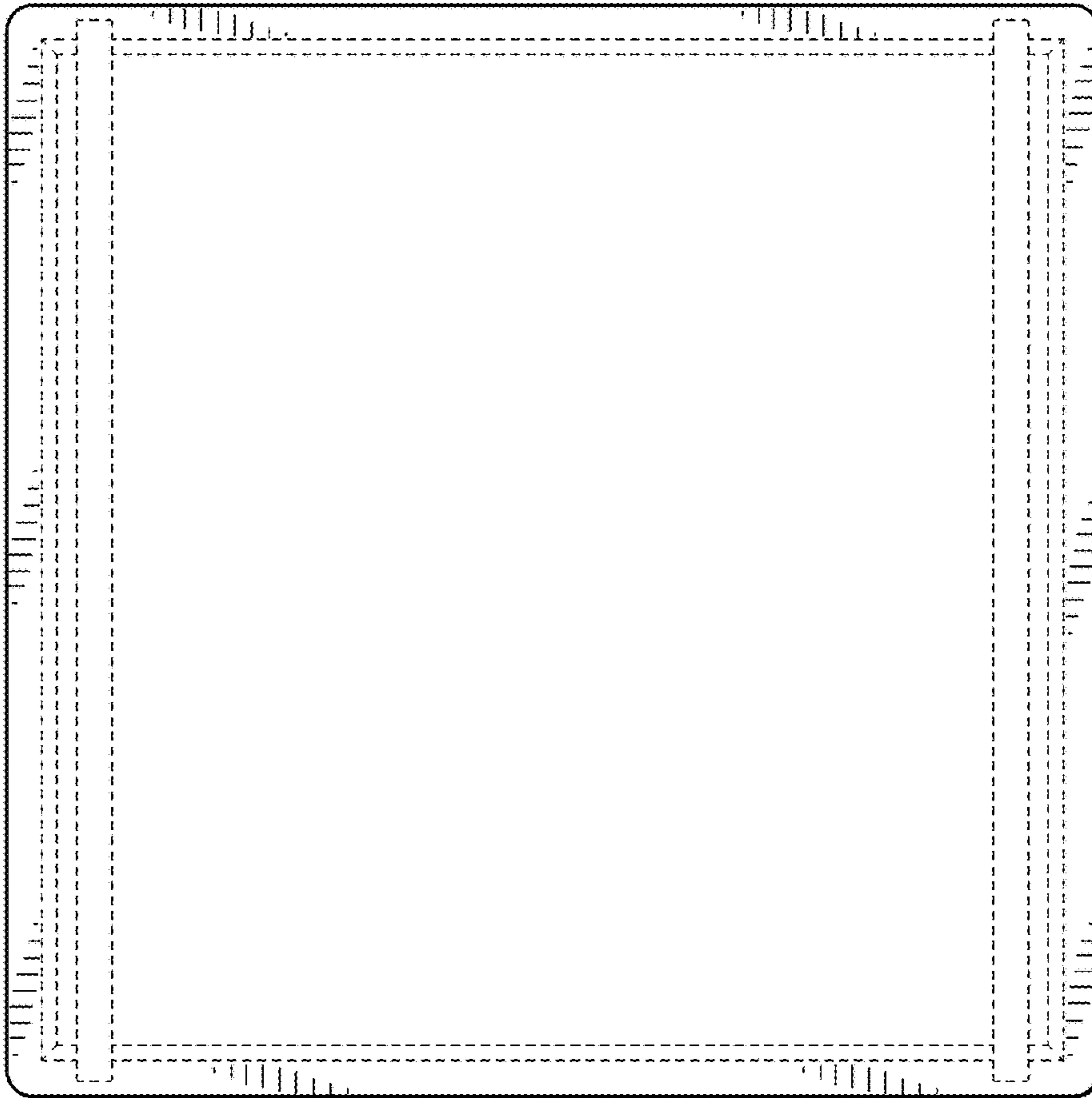


**FIG. 12**



**FIG. 13**





**FIG. 14**