



US00D830710S

(12) **United States Design Patent**
Harguth et al.

(10) **Patent No.:** **US D830,710 S**
(45) **Date of Patent:** **** Oct. 16, 2018**

- (54) **TILTABLE STOOL**
- (71) Applicant: **The Prophet Corporation**, Owatonna, MN (US)
- (72) Inventors: **Alison Marie Harguth**, Owatonna, MN (US); **Ryan William Rasell**, Apple Valley, MN (US)
- (73) Assignee: **The Prophet Corporation**, Owatonna, MN (US)
- (**) Term: **15 Years**
- (21) Appl. No.: **29/619,669**
- (22) Filed: **Sep. 29, 2017**
- (51) **LOC (11) Cl.** **06-01**
- (52) **U.S. Cl.**
USPC **D6/349**
- (58) **Field of Classification Search**
USPC D6/334, 336-342, 349-353, 355, 358, D6/360, 364-365, 406.2, 574, 596-597, D6/601, 604, 688.24-688.27, 691-691.9, D6/692-692.6, 716-716.1
CPC A47C 16/02-16/04; A47C 13/00; A47K 17/02; A47K 17/028
See application file for complete search history.

D647,313 S *	10/2011	Chen	D6/364
D650,184 S *	12/2011	Hsu	D6/349
D671,757 S *	12/2012	Walker	D6/349
D728,951 S *	5/2015	Yoshida	D6/349
D767,290 S *	9/2016	Walser	D6/352
D791,523 S *	7/2017	Bernard	D6/692
D809,309 S *	2/2018	Theesfeld	D6/349
D809,310 S *	2/2018	Mathur	D6/352
D809,809 S *	2/2018	Theesfeld	D6/352
D812,919 S *	3/2018	Kim	D6/352

OTHER PUBLICATIONS

Plastic Round Stools. [online] Retrieved May 2, 2018 from URL: <<http://www.umaplastics.com/plastic-round-stools.html>>.*

(Continued)

Primary Examiner — Vy N Koenig

(74) *Attorney, Agent, or Firm* — Merchant & Gould P.C.

(57) **CLAIM**

The ornamental design for a tiltable stool, as shown and described.

DESCRIPTION

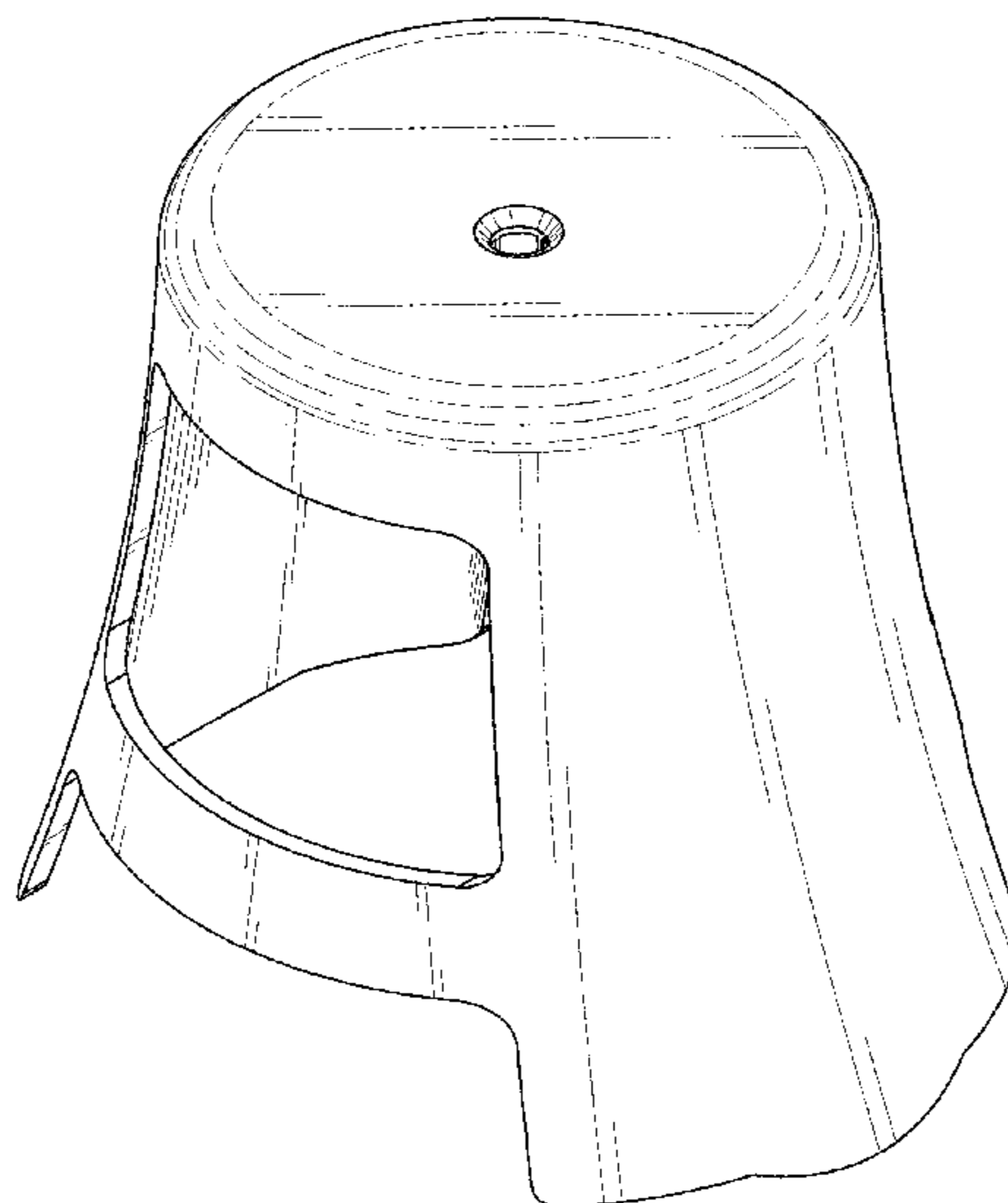
FIG. 1 is a perspective view of a tiltable stool;
 FIG. 2 is a first end view of the tiltable stool of FIG. 1;
 FIG. 3 is a second end view of the tiltable stool of FIG. 1;
 FIG. 4 is a first side view of the tiltable stool of FIG. 1;
 FIG. 5 is a second side view of the tiltable stool of FIG. 1;
 FIG. 6 is a top plan view of the tiltable stool of FIG. 1;
 FIG. 7 is a bottom plan view of the tiltable stool of FIG. 1;
 and,
 FIG. 8 is a bottom perspective view of the tiltable stool of FIG. 1.
 The dashed lines shown in FIGS. 7 and 8 depict portions of the tiltable stool that form no part of the claimed design.

1 Claim, 8 Drawing Sheets

(56) **References Cited**

U.S. PATENT DOCUMENTS

D198,679 S *	7/1964	Cartner	D25/65
D228,095 S *	8/1973	Schmitt	D6/335
D232,499 S *	8/1974	Martinelli	D6/350
D232,504 S *	8/1974	Archinal	D6/692.6
D234,933 S *	4/1975	Burke	D6/349
D498,067 S *	11/2004	Van Dyke	D6/349
D586,574 S *	2/2009	Gomree	D6/350
D625,931 S *	10/2010	Estrup	D6/349



(56)

References Cited

OTHER PUBLICATIONS

TiltED Active Seats. [online] Retrieved May 2, 2018 from URL: <https://www.gophersport.com/pe/active-classroom/tilted-active-seats?item=25259&pt_source=googleads&pt_medium=cpc&pt_campaign=Shopping_-_%E2%80%A62/3>.*

Thick plastic small round stools, home adult children bathroom stool, changing his shoes stool. [online] Retrieved May 2, 2018 from URL: <<https://www.aliexpress.com/item/Thick-plastic-small-round-stools-home-adult-children-bathroom-stool-changing-his-shoes-stool/32507580751.html>>.*

Play with a Purpose Catalog; Spring 2017; © 2017 Gopher Sport; 4 pages.

* cited by examiner

FIG. 1

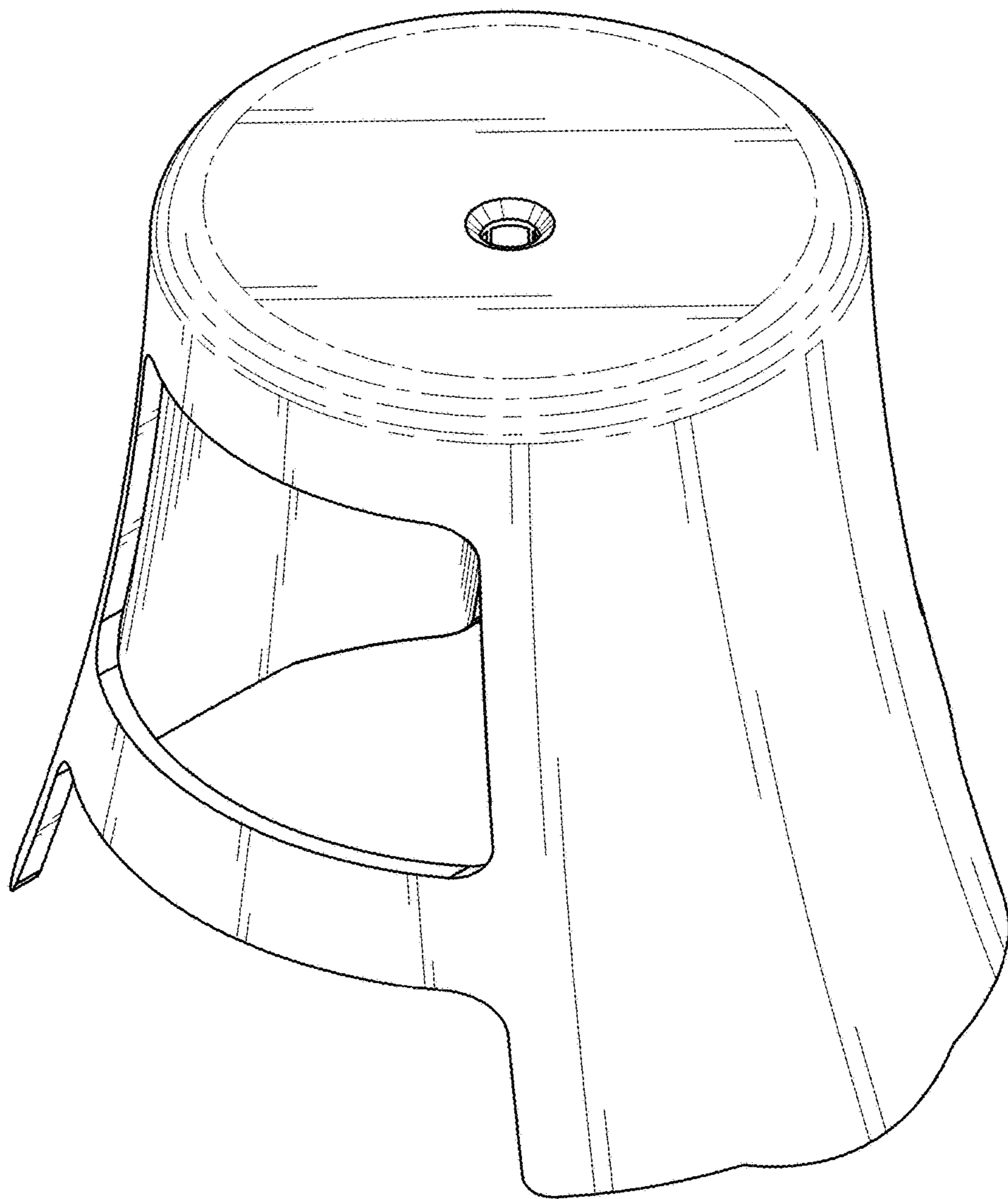


FIG. 2

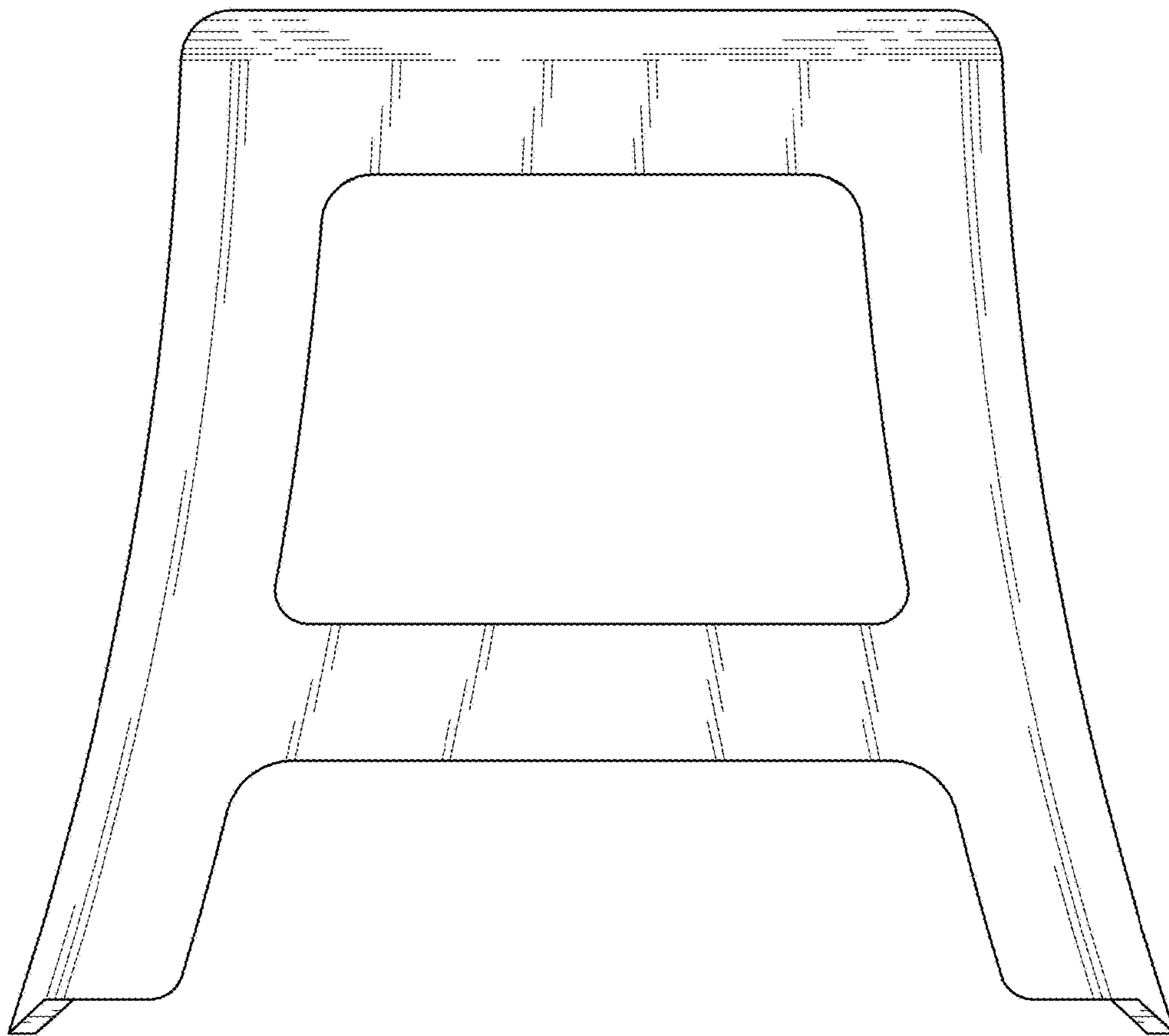


FIG. 3

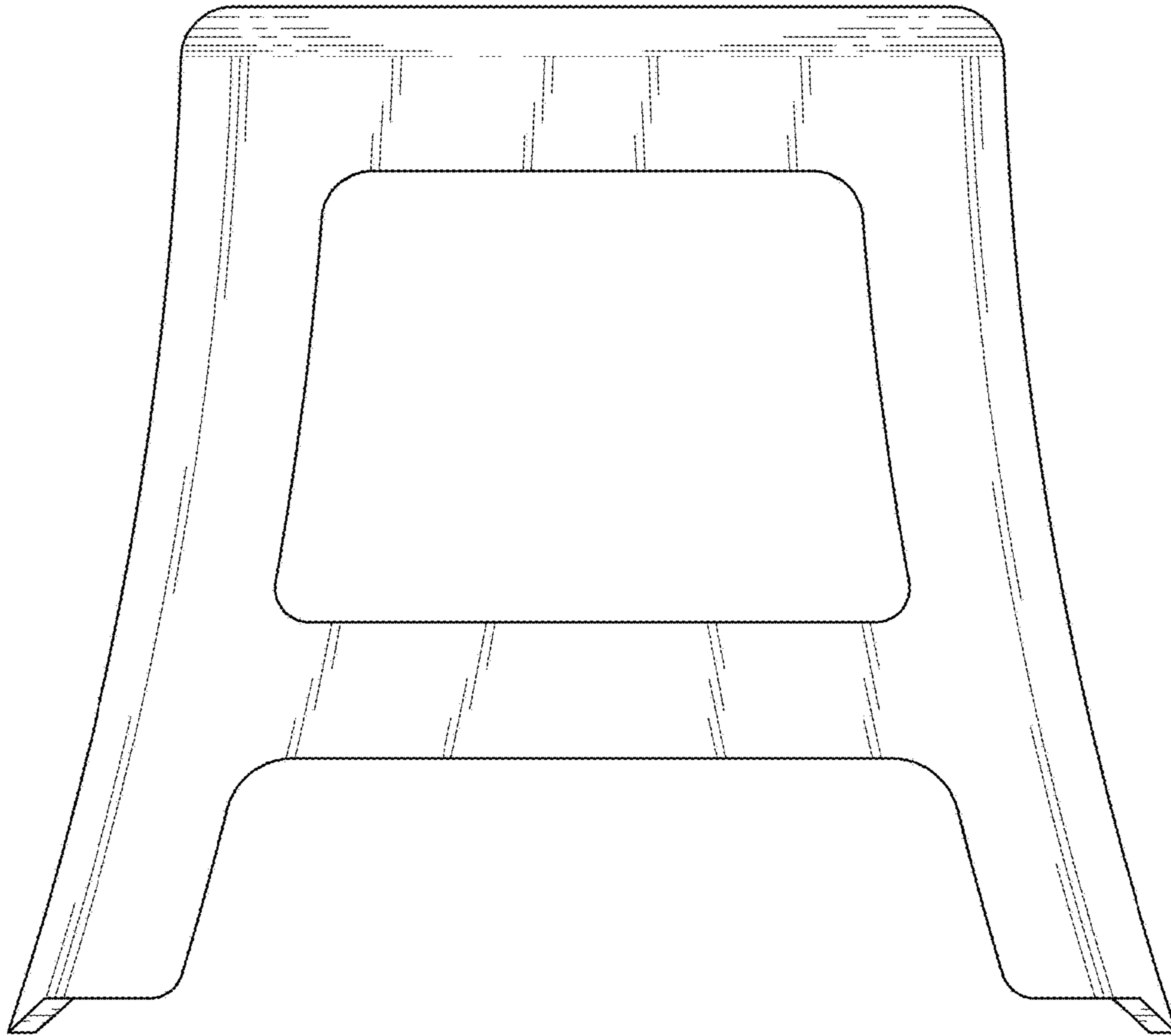


FIG. 4

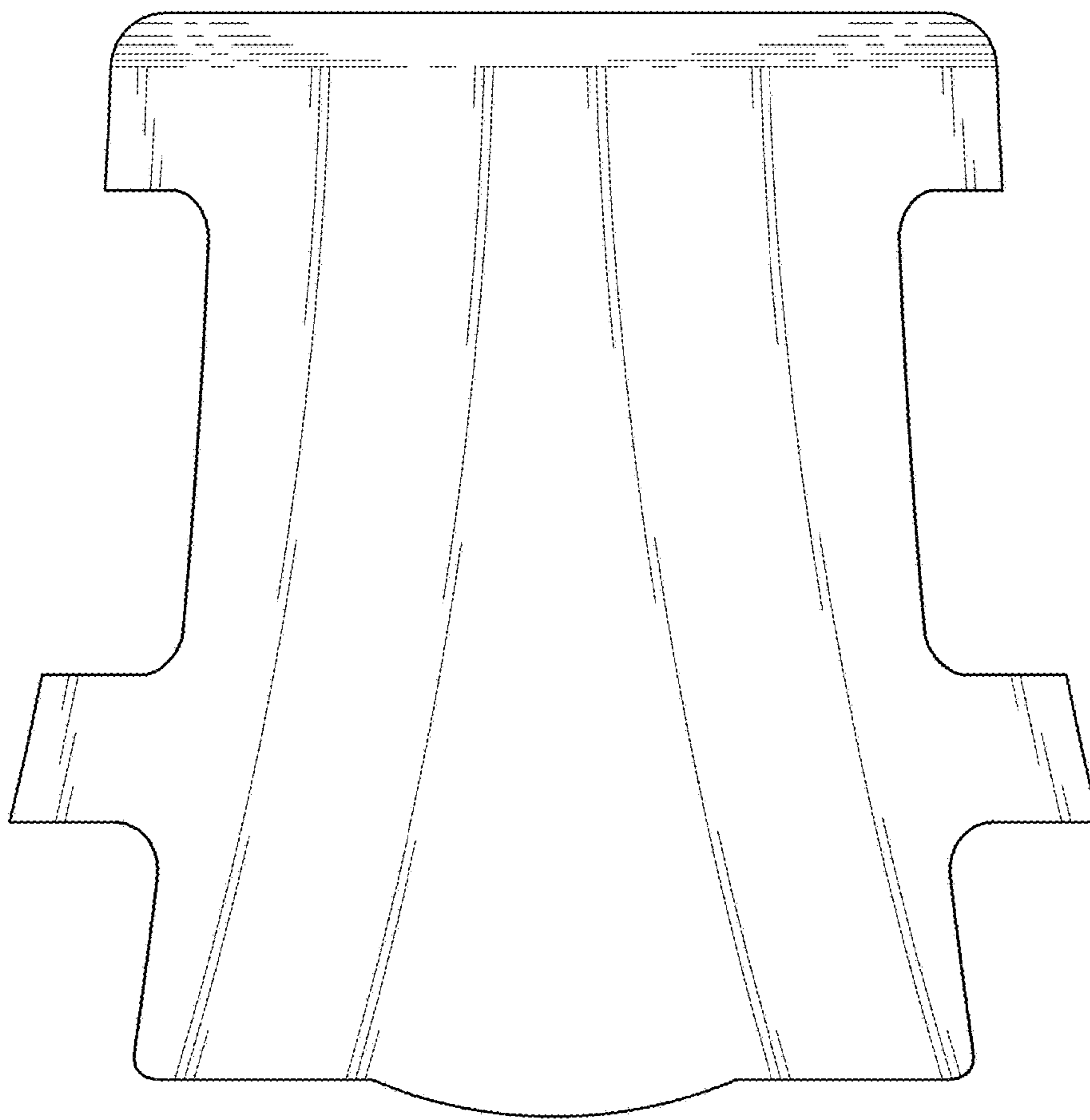


FIG. 5

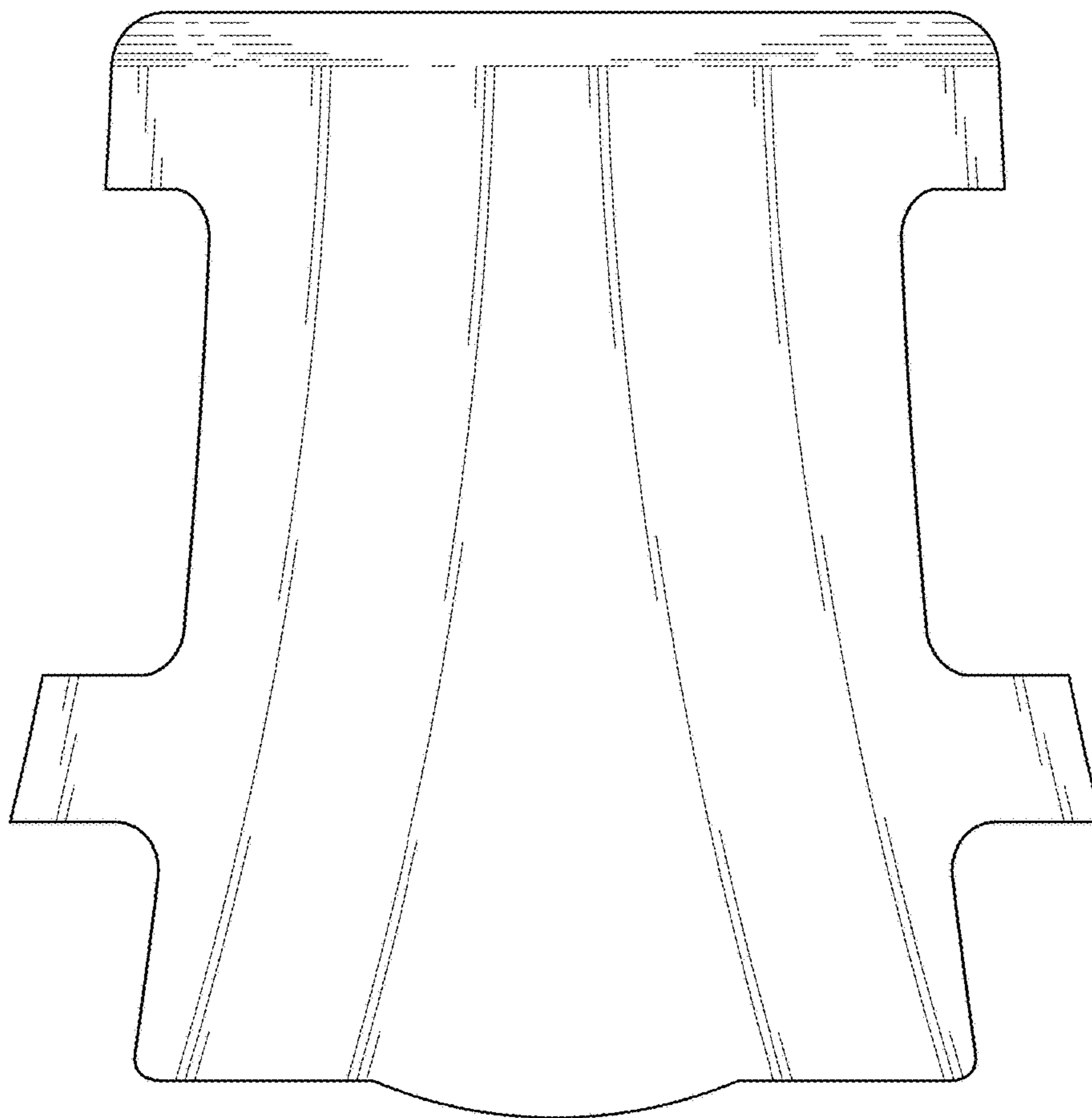


FIG. 6

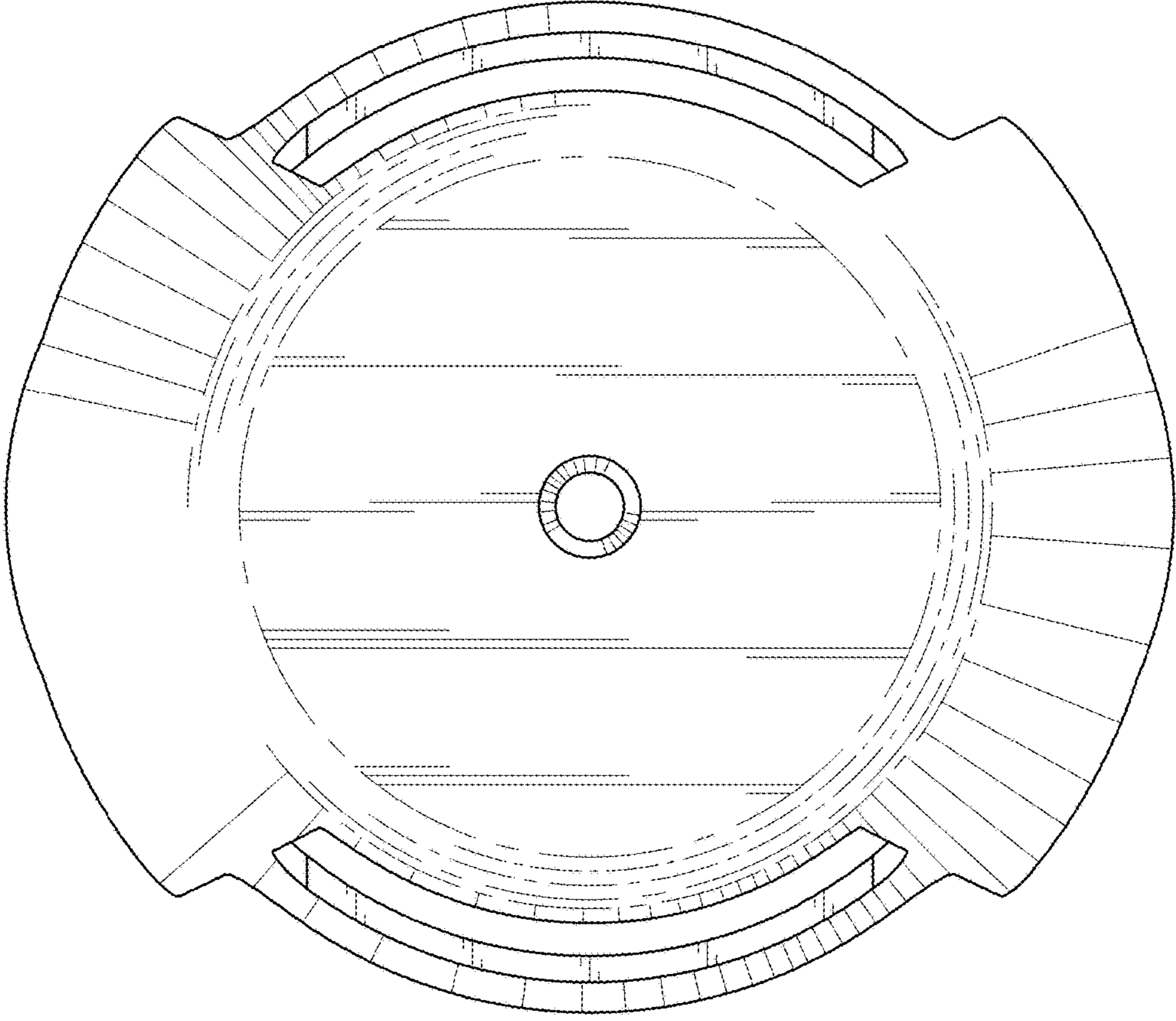


FIG. 7

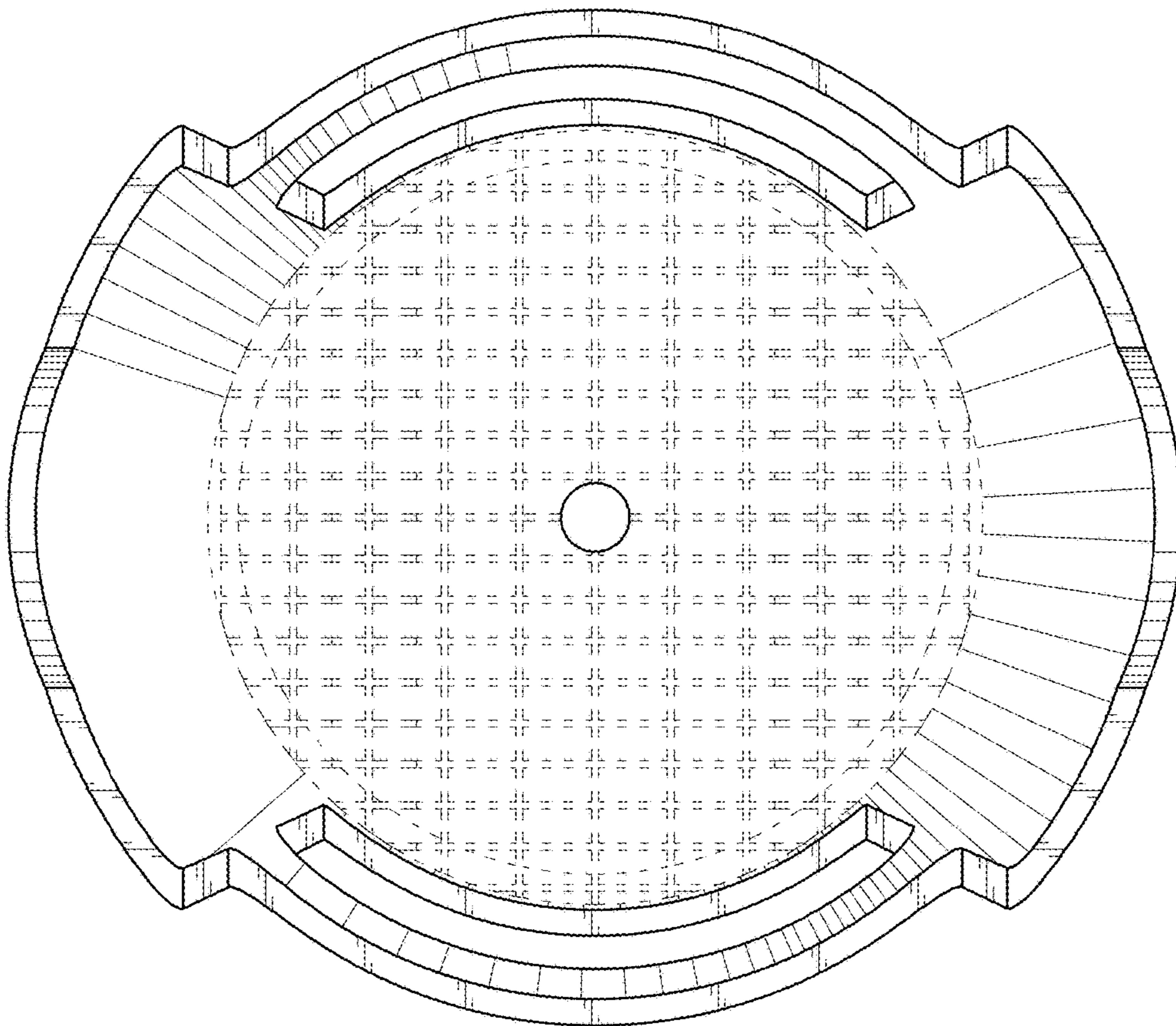


FIG. 8

