



US00D830706S

(12) **United States Design Patent**
Pitot

(10) **Patent No.:** **US D830,706 S**

(45) **Date of Patent:** **** Oct. 16, 2018**

(54) **TWIN SUPPORT LIGHTED MIRROR**

(71) Applicant: **Bruce Pitot**, Mahwah, NJ (US)

(72) Inventor: **Bruce Pitot**, Mahwah, NJ (US)

(73) Assignee: **FLOXITE COMPANY, INC.**,
Mahwah, NJ (US)

(**) Term: **15 Years**

(21) Appl. No.: **29/600,862**

(22) Filed: **Apr. 17, 2017**

(51) **LOC (11) Cl.** **06-07**

(52) **U.S. Cl.**
USPC **D6/309; D6/310**

(58) **Field of Classification Search**
USPC **D6/300-314**
CPC ... **A47G 1/00; A47G 1/02; A47G 1/06; A47G**
1/0616; A47G 1/14; A47G 1/141; A45D
42/00; A45D 42/08; A45D 42/14; A45D
42/16; A45D 42/10

See application file for complete search history.

(56) **References Cited**

U.S. PATENT DOCUMENTS

D226,248 S *	1/1973	Krusche et al.	362/135
D431,375 S *	10/2000	Zadro	D6/309
D454,701 S *	3/2002	Eric	D6/308
D509,369 S *	9/2005	Snell	D6/310
D547,555 S *	7/2007	Lo	D6/312
D639,077 S *	6/2011	DeBretton Gordon	D6/310

D657,576 S *	4/2012	Pitot	D6/309
8,356,908 B1 *	1/2013	Zadro	A45D 42/10
			362/135
D701,050 S *	3/2014	Yang	D6/309
D707,454 S *	6/2014	Pitot	D6/309
D727,630 S *	4/2015	Zadro	D6/310
D729,527 S *	5/2015	Tsai	D6/310
D730,065 S *	5/2015	Tsai	D6/310
D737,580 S *	9/2015	Tsai	D6/300
D738,118 S *	9/2015	Gyanendra	D6/310
D776,316 S *	1/2017	Kim	D26/51
D779,836 S *	2/2017	Bailey	D6/309
D801,060 S *	10/2017	Hollinger	D6/309
D816,350 S *	5/2018	Yang	D6/309

* cited by examiner

Primary Examiner — Deanna L Pratt

(74) *Attorney, Agent, or Firm* — Pearne & Gordon LLP

(57) **CLAIM**

The ornamental design for twin support lighted mirror, as shown and described.

DESCRIPTION

FIG. 1 is a perspective view of the rounded-edge lighted mirror;

FIG. 2 is a top plan view thereof;

FIG. 3 is a front elevational view thereof;

FIG. 4 is a right side elevational view thereof;

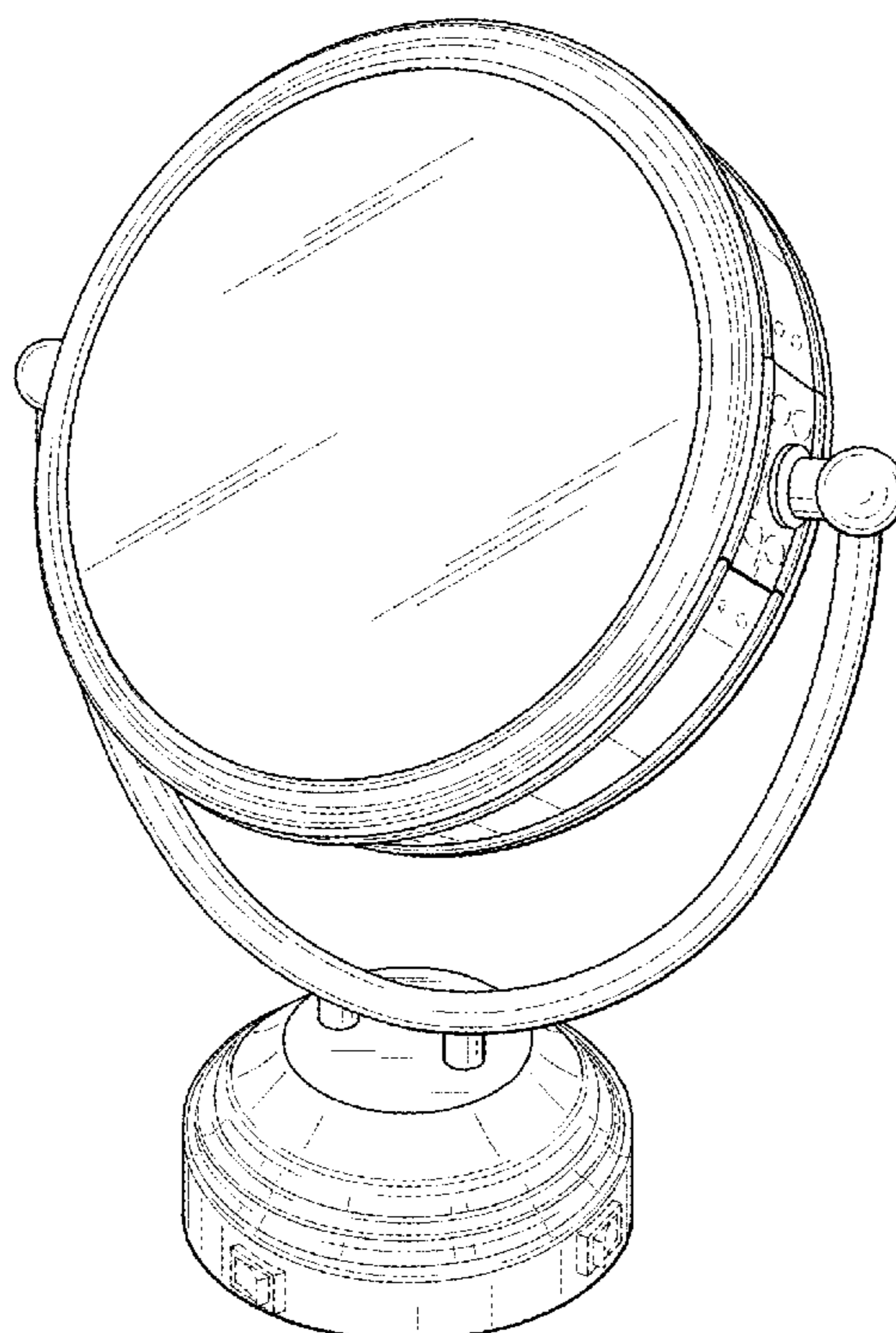
FIG. 5 is a left side elevational view thereof;

FIG. 6 is a rear elevational view thereof; and,

FIG. 7 is a bottom plan view thereof.

The broken lines represent portions of the mirror that form no part of the claimed design.

1 Claim, 3 Drawing Sheets



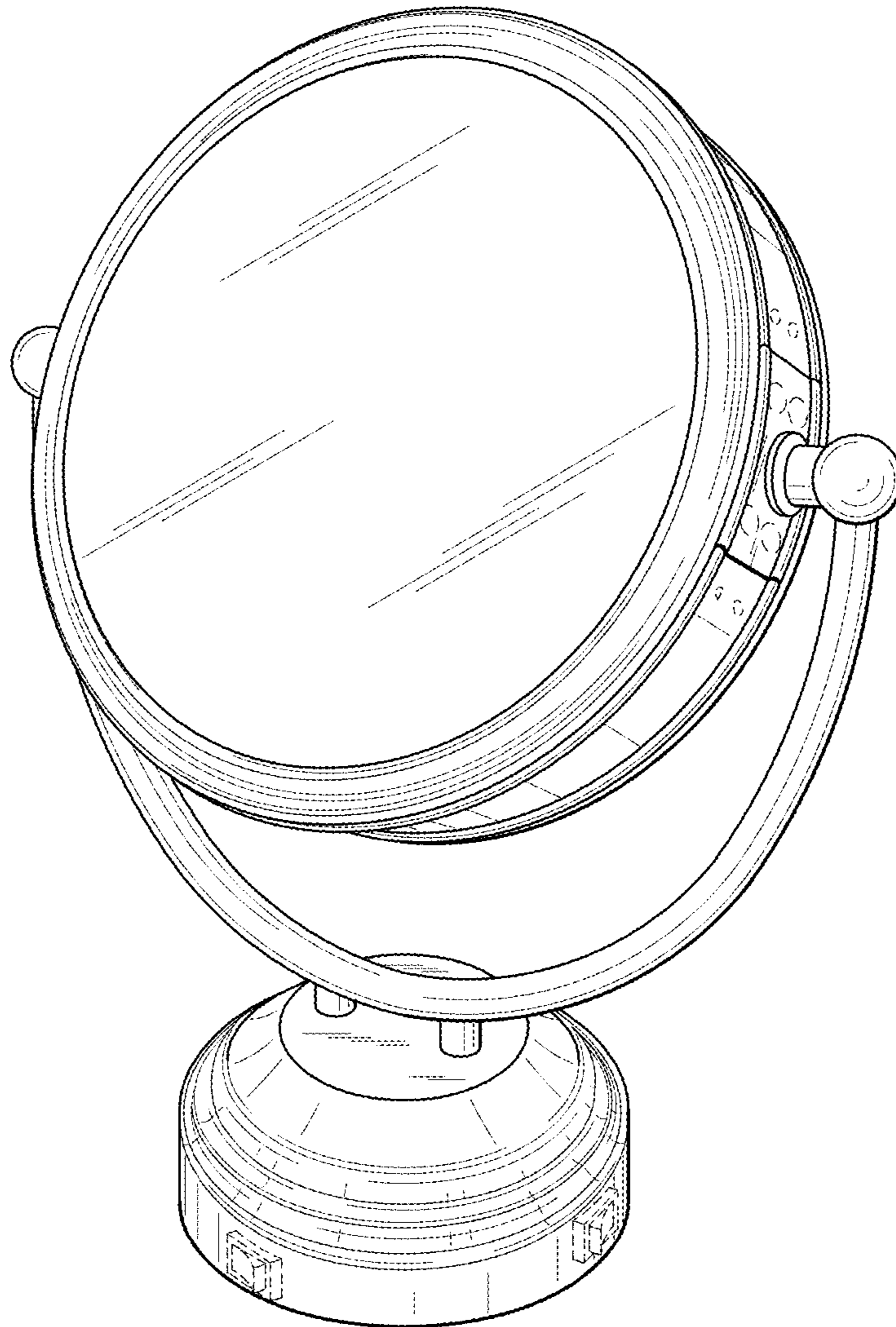


FIG. 1

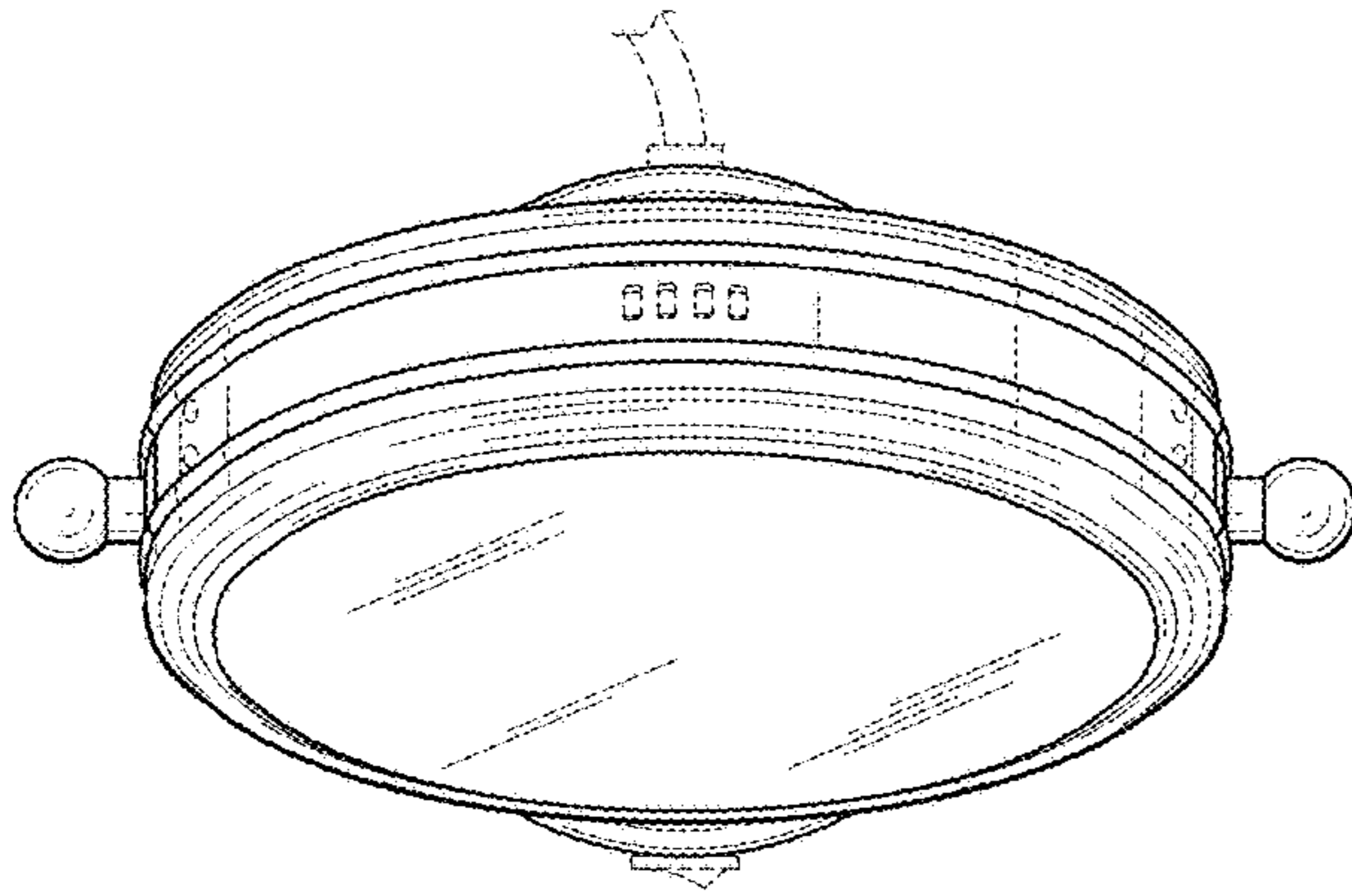


FIG. 2

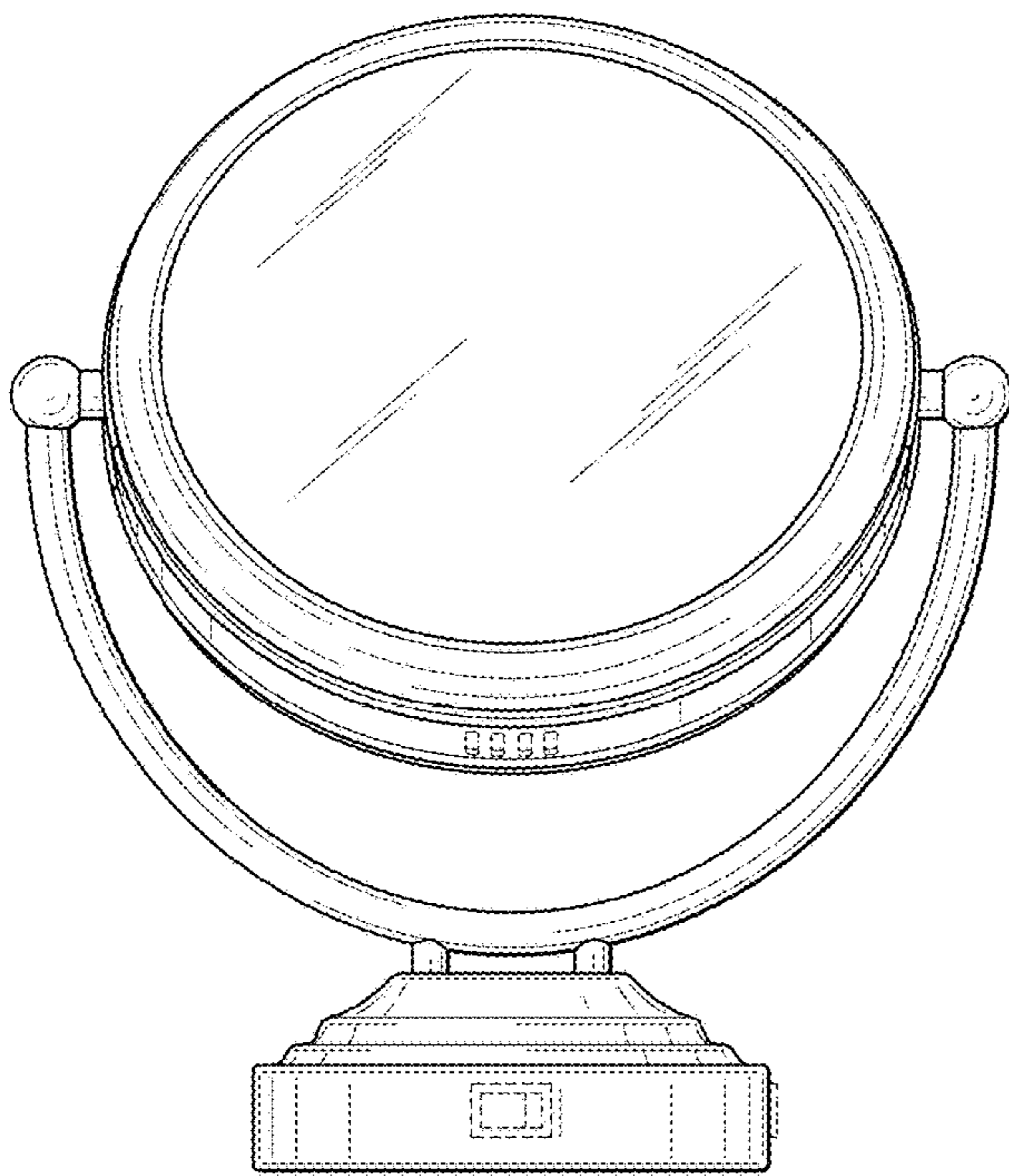


FIG. 3

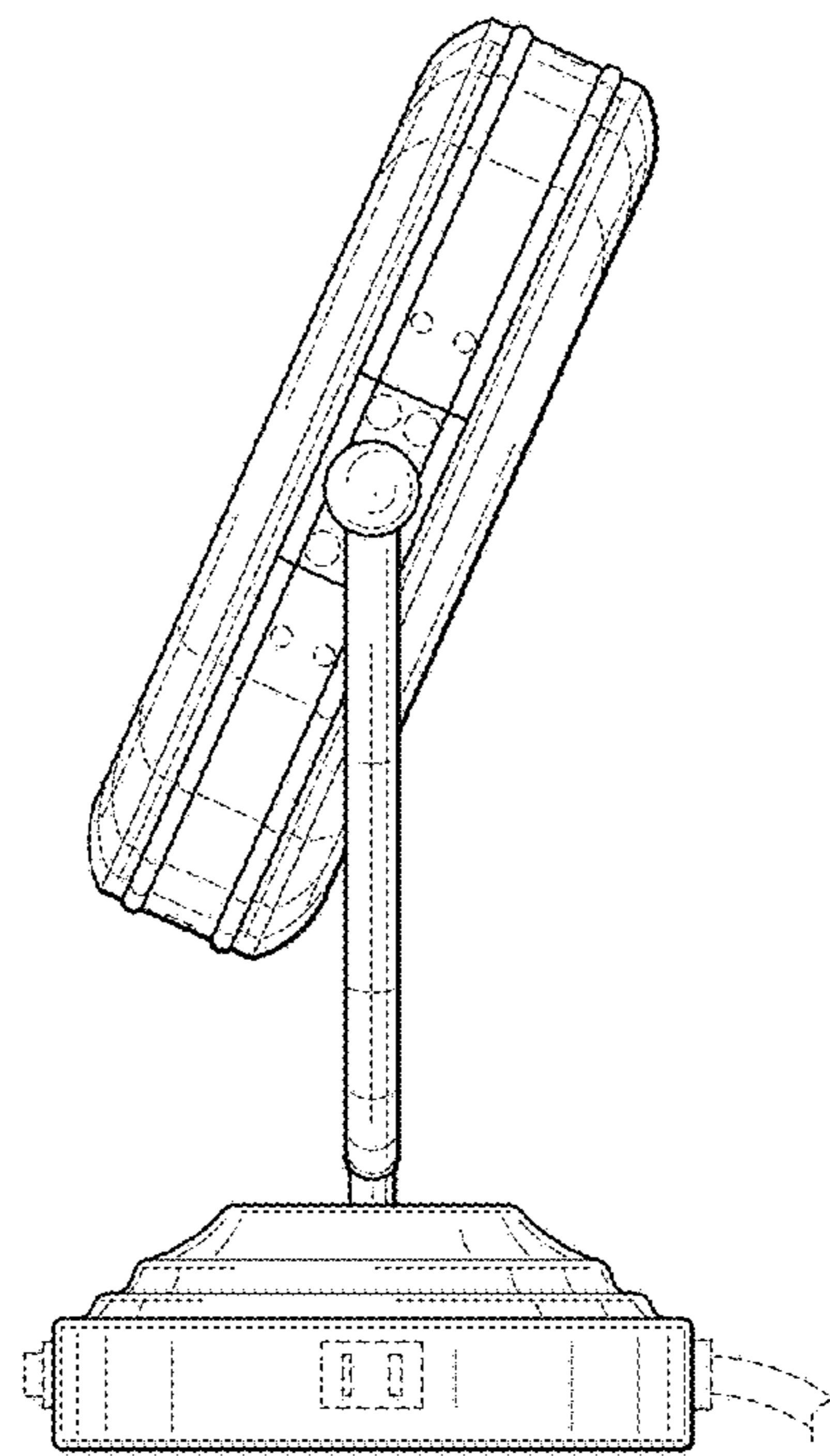


FIG. 4

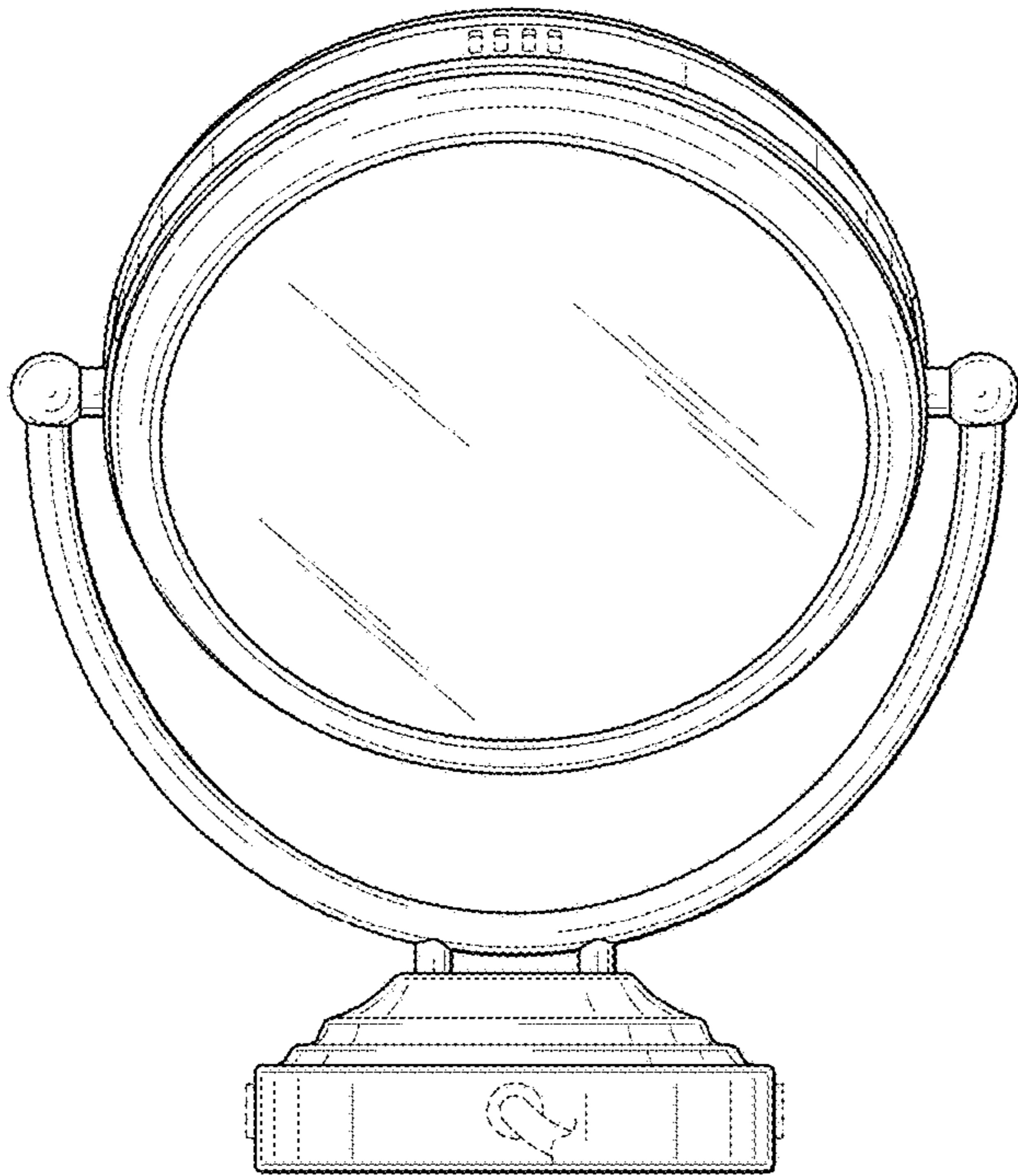


FIG. 6

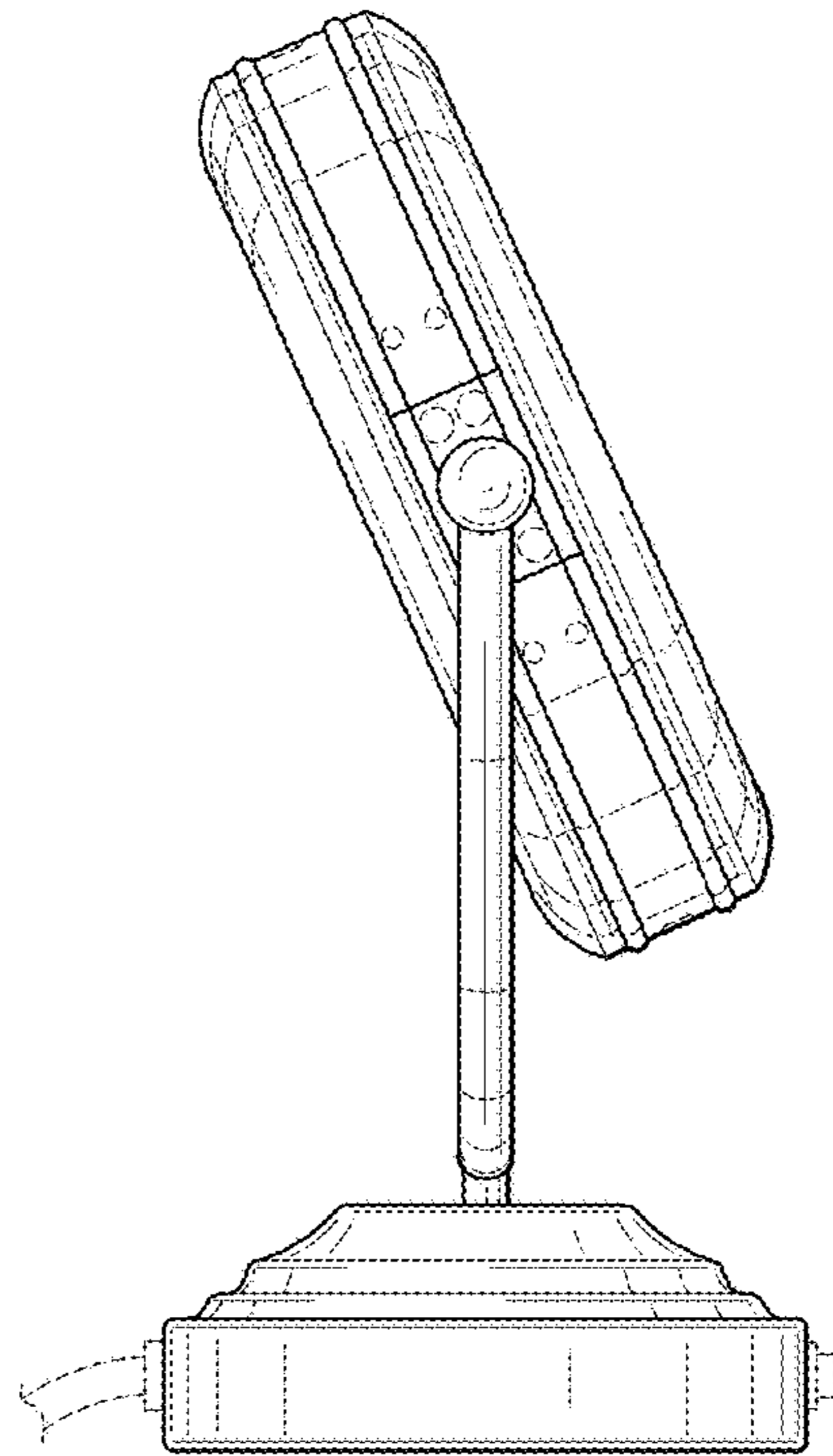


FIG. 5

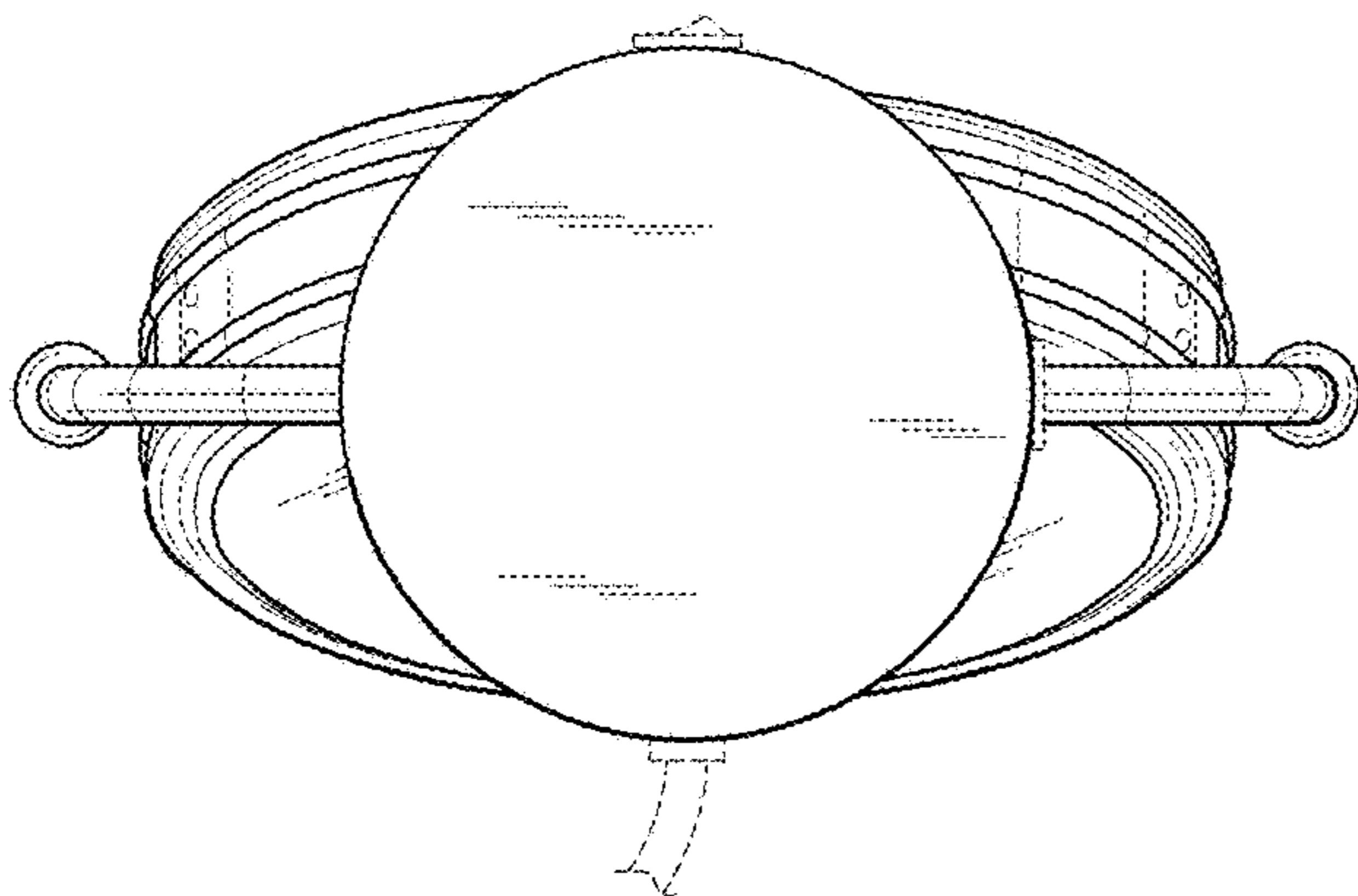


FIG. 7