



US00D830704S

(12) **United States Design Patent** (10) **Patent No.:** **US D830,704 S**
Treeby et al. (45) **Date of Patent:** **** Oct. 16, 2018**

(54) **ANIMAL GROOMING BRUSH**
(71) Applicant: **Pet Pleezer Limited**, London (GB)
(72) Inventors: **Cameron Bruce William Treeby**,
London (GB); **Shaun Pulfrey**, London
(GB)
(73) Assignee: **Pet Teezer Limited**, London (GB)

D99,144 S * 3/1936 Sundin D4/116
D186,102 S * 9/1959 Semeraro D4/100
D285,130 S * 8/1986 Wilkeson D30/158
D438,387 S * 3/2001 Sharp D4/121
D454,250 S * 3/2002 Forrest D4/100
D497,258 S * 10/2004 Puckett D4/118
D509,658 S * 9/2005 Swyst D4/130
D688,465 S * 8/2013 Khubani D4/130
2015/0189979 A1 * 7/2015 Stanton A46B 5/021
15/106
2017/0311710 A1 * 11/2017 Powell A43B 17/06

(**) Term: **15 Years**

FOREIGN PATENT DOCUMENTS

(21) Appl. No.: **29/589,861**
(22) Filed: **Jan. 5, 2017**
(51) **LOC (11) Cl.** **04-99**
(52) **U.S. Cl.**
USPC **D4/134**
(58) **Field of Classification Search**
USPC D4/100, 102, 111, 116-118, 127, 128,
D4/132-134, 138, 199; D30/158, 159;
D28/58, 62, 64.3, 63.4, 64.6, 68, 82;
D8/301; D24/211, 214, 215; 601/114,
601/125, 136; 119/600
CPC A46B 2200/102; A46B 2200/1046; A46B
2200/1093; A46B 2200/104; A46B
2200/205; A46B 5/02; A46B 13/00; A46B
13/001; A46B 5/00; A46B 5/0095; A46B
5/021; A46D 1/00
See application file for complete search history.

DE 202014008715 U1 * 12/2014 A46B 11/002
WO 2016/001665 A1 1/2016
WO WO-2016001665 A1 * 1/2016 A46D 1/00

* cited by examiner

Primary Examiner — Wan Laymon
Assistant Examiner — Clint A Samuel
(74) *Attorney, Agent, or Firm* — The Van Winkle Law
Firm; William G. Heedy; David M. Carter

(57) **CLAIM**

The ornamental design for an animal grooming brush, as shown and described.

DESCRIPTION

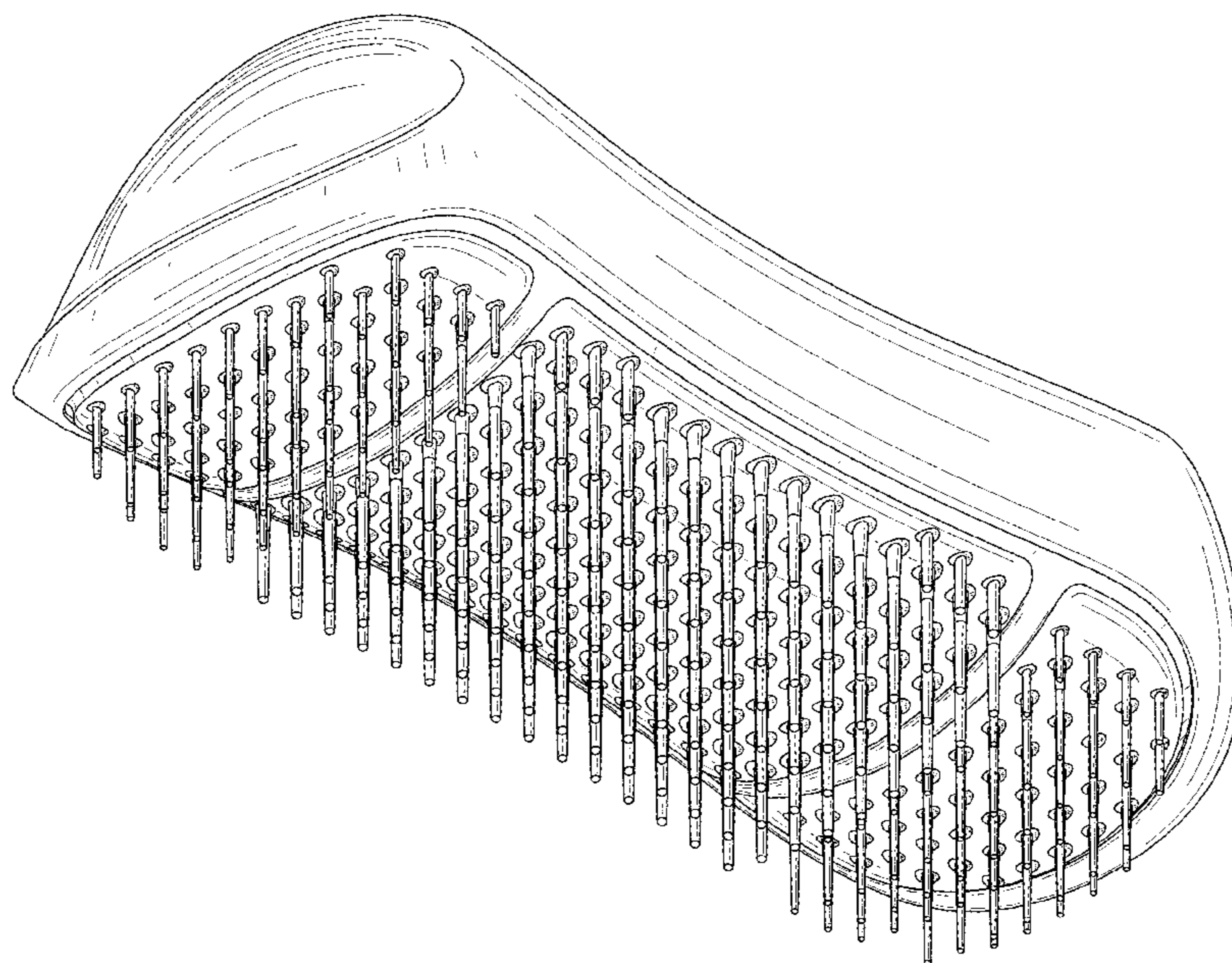
FIG. 1 is a perspective view of an animal grooming brush.
FIG. 2 is another perspective view of thereof.
FIG. 3 is a front elevational view thereof.
FIG. 4 is a rear elevational view thereof.
FIG. 5 is a right side elevational view thereof.
FIG. 6 is a left side elevational view thereof.
FIG. 7 is a top plan view thereof; and,
FIG. 8 is a bottom plan view thereof.

(56) **References Cited**

U.S. PATENT DOCUMENTS

D44,415 S * 7/1913 Scheuer D4/130
D99,111 S * 3/1936 Bickel D4/132

1 Claim, 7 Drawing Sheets



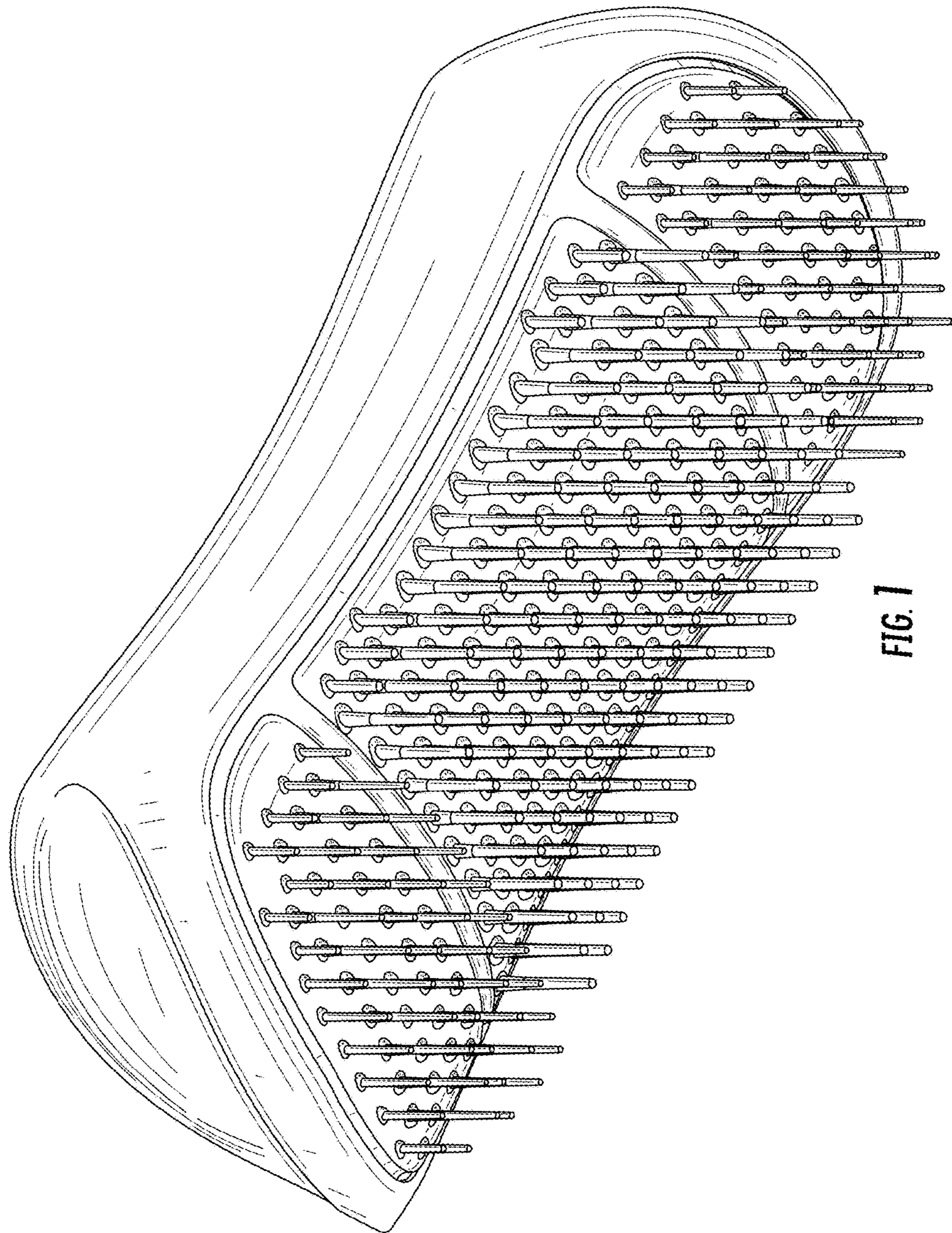


FIG. 1

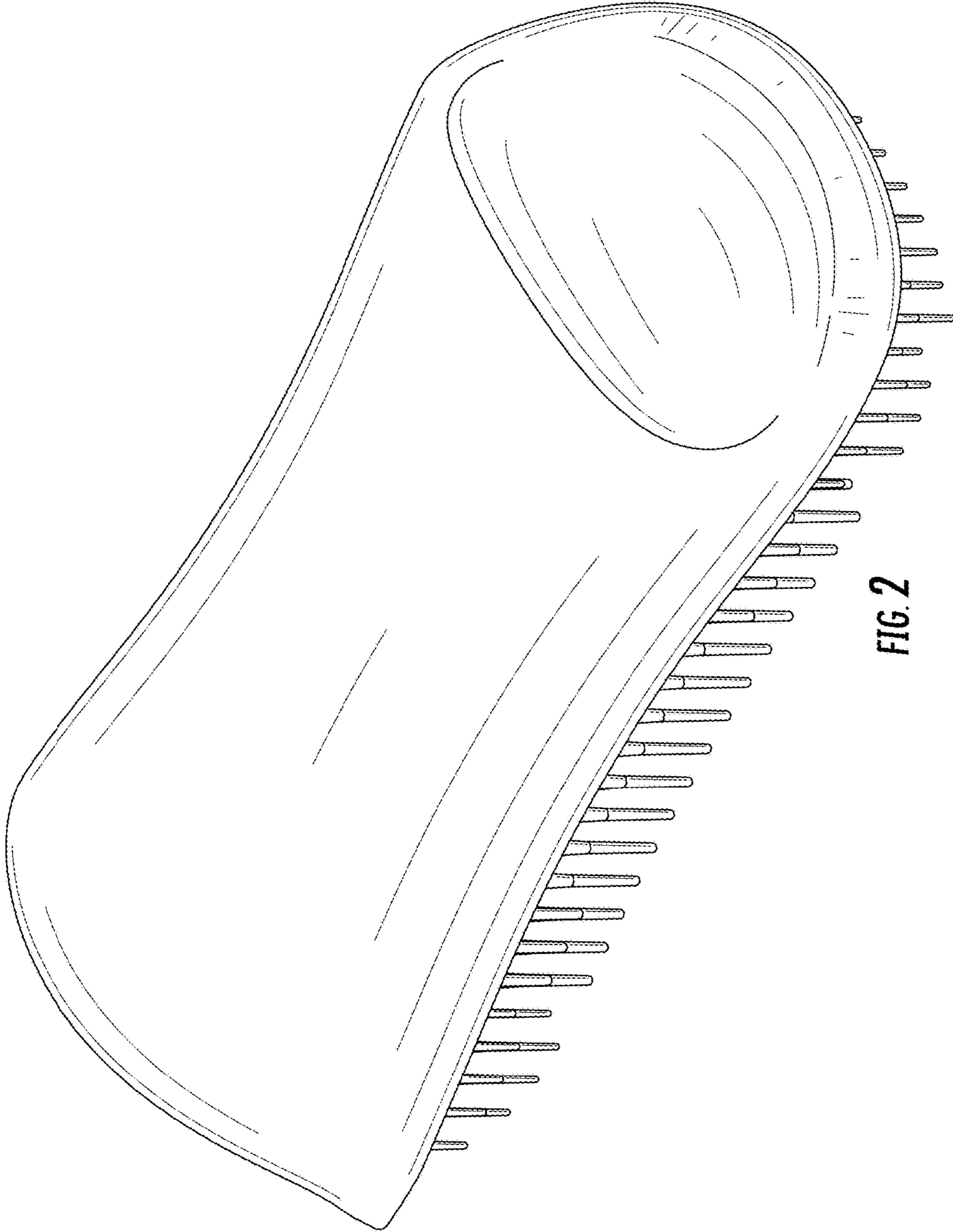


FIG. 2

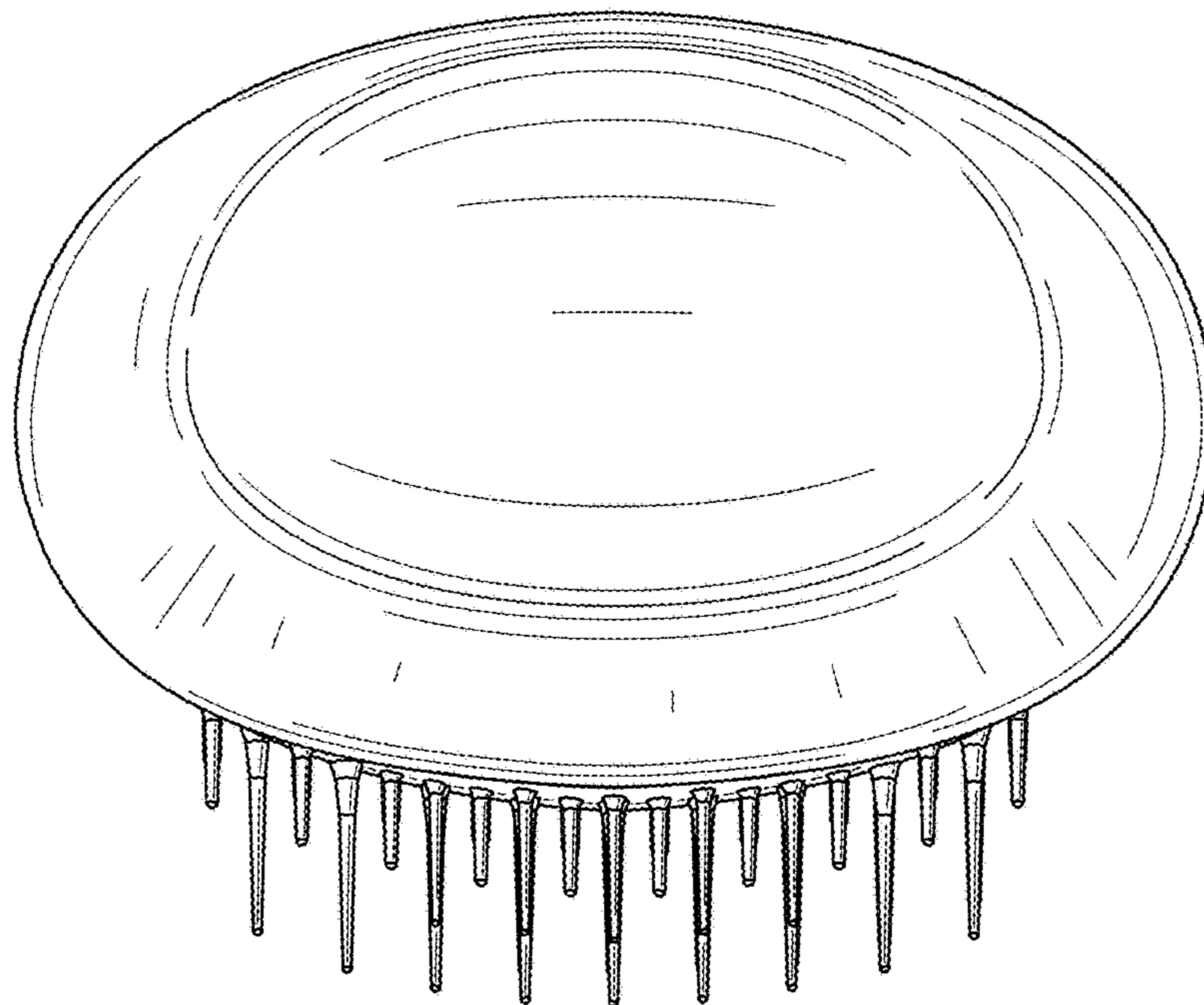


FIG. 3

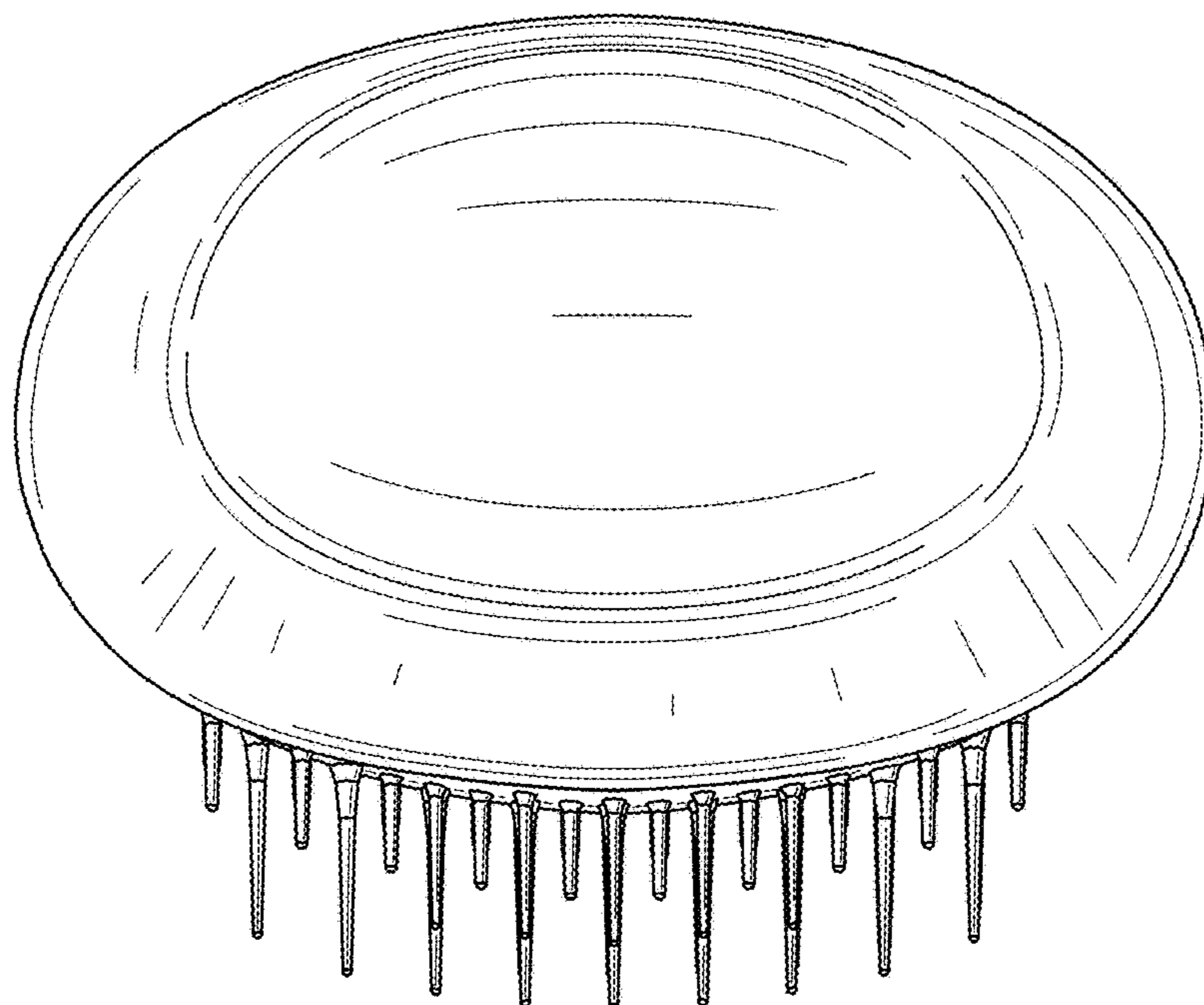


FIG. 4

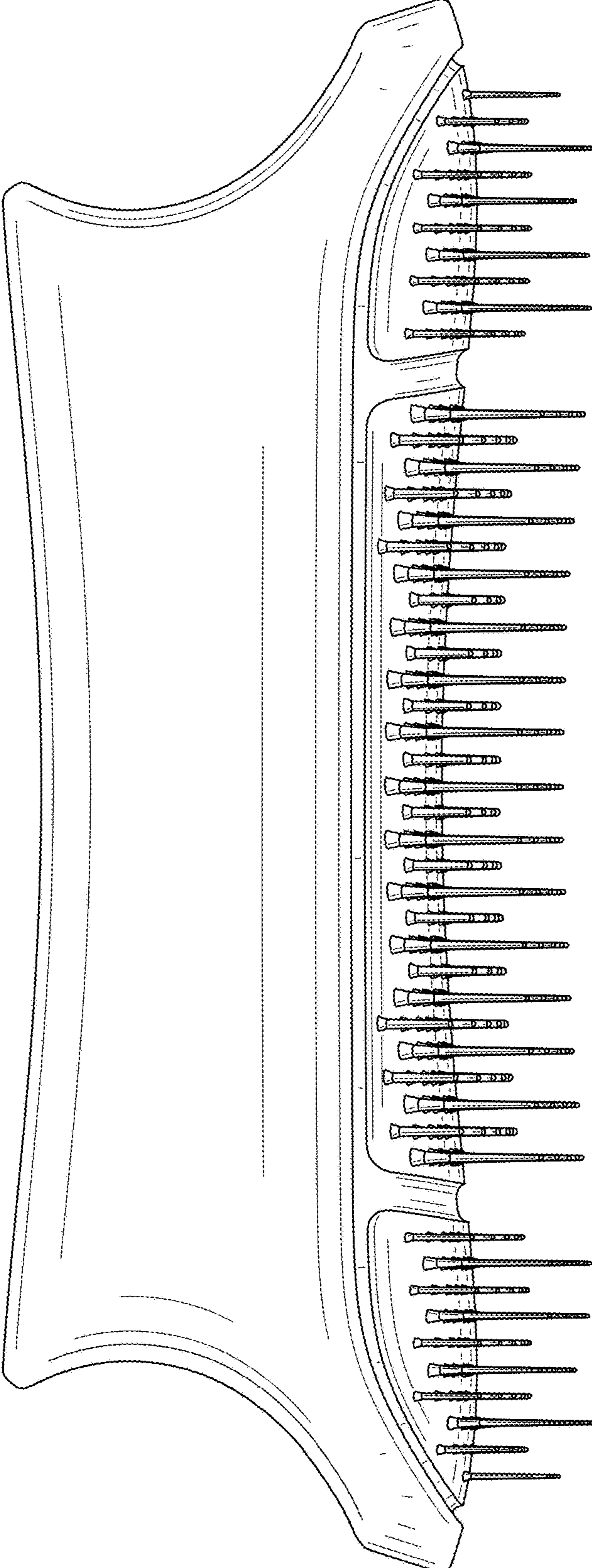


FIG. 5

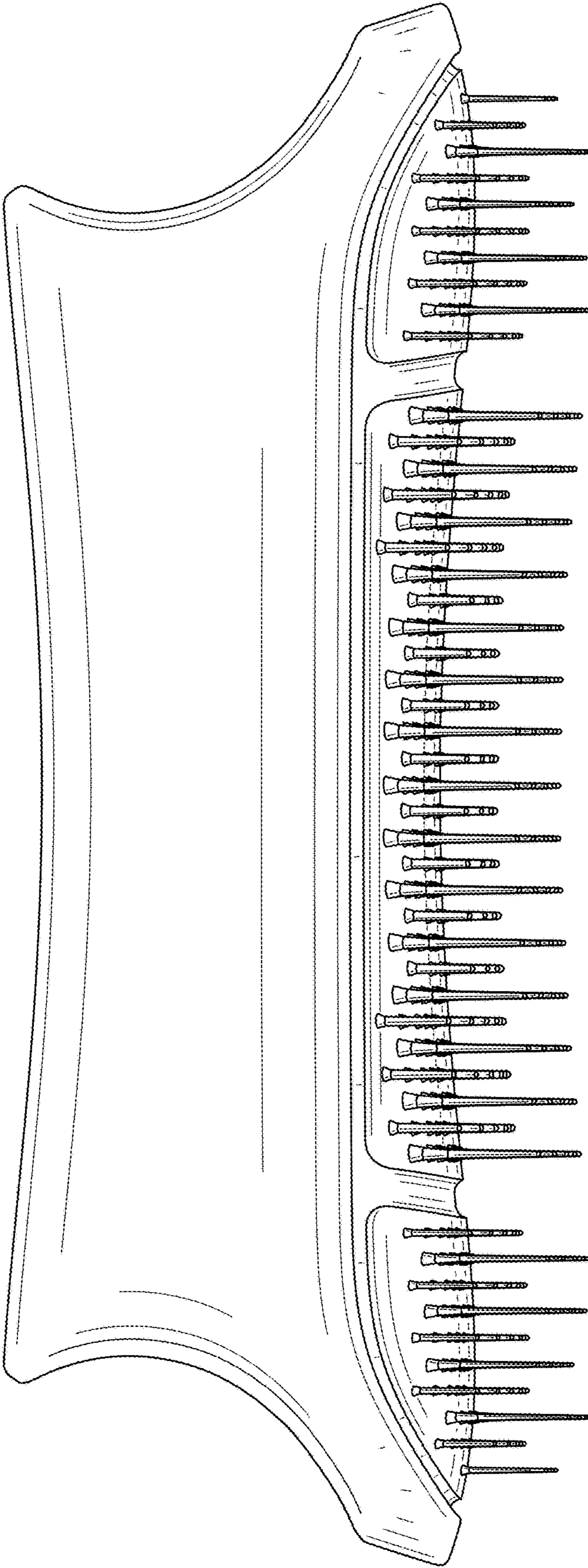


FIG. 6

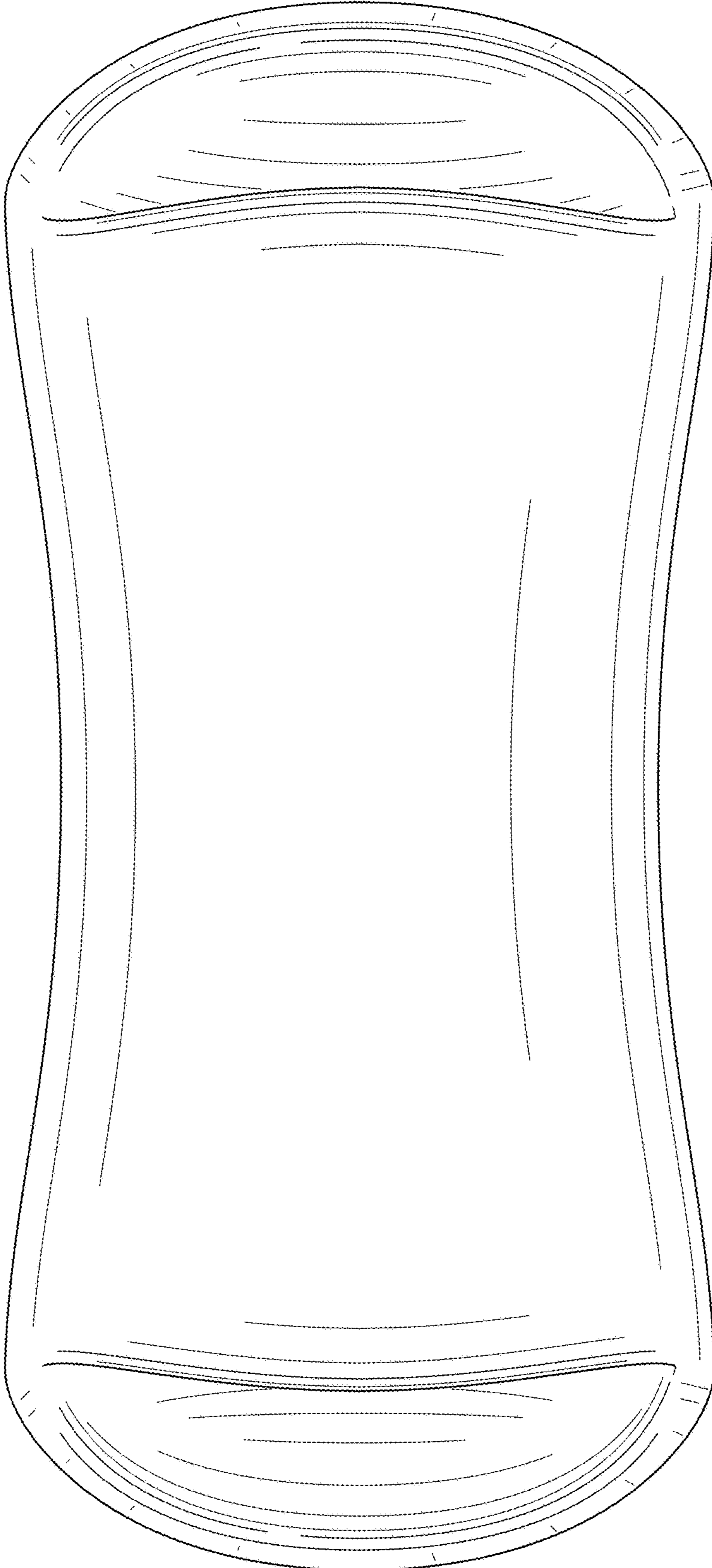


FIG. 7

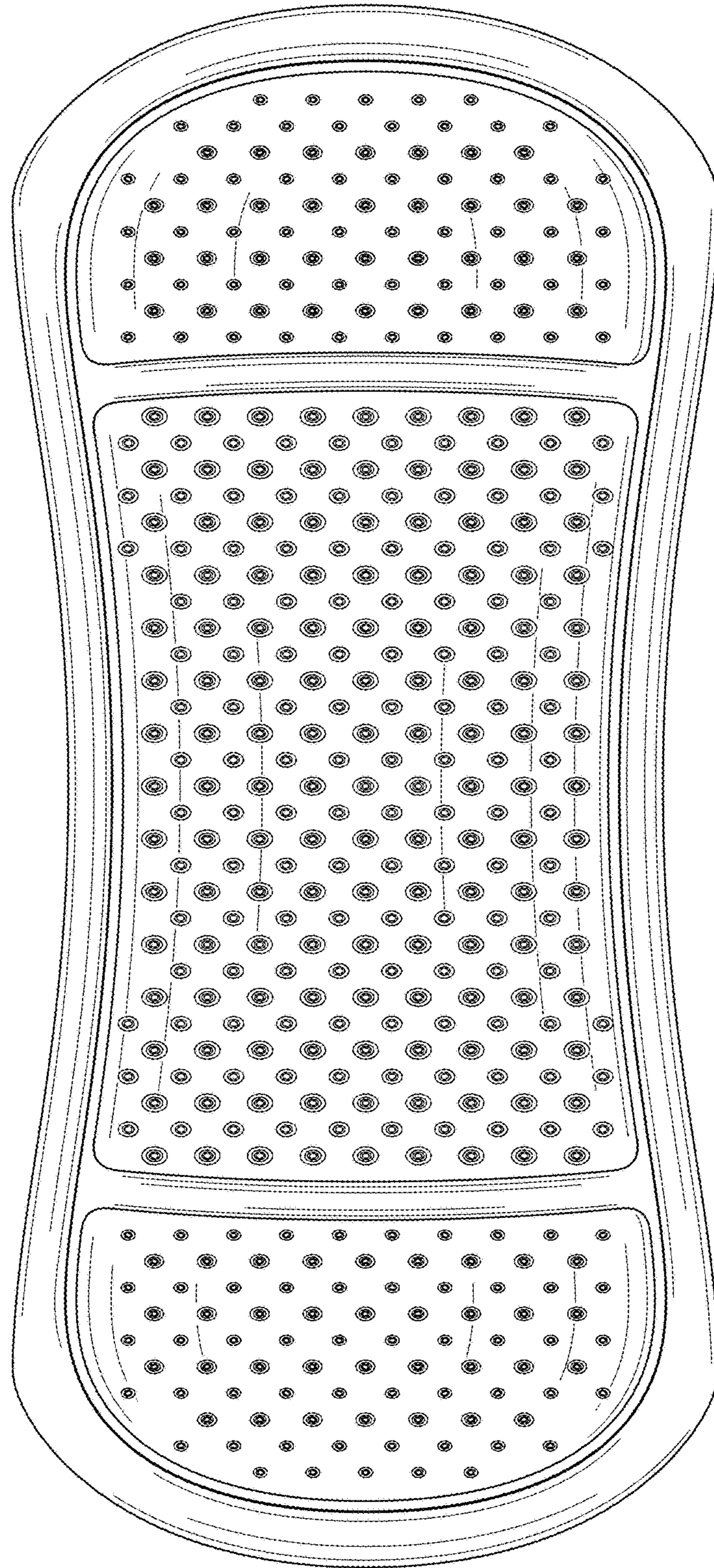


FIG. 8