



US00D830697S

(12) **United States Design Patent**
Pettinga

(10) **Patent No.:** **US D830,697 S**
(45) **Date of Patent:** **** Oct. 16, 2018**

- (54) **STORAGE POUCH**
- (71) Applicant: **Drew Pettinga**, New York, NY (US)
- (72) Inventor: **Drew Pettinga**, New York, NY (US)
- (**) Term: **15 Years**
- (21) Appl. No.: **29/569,002**
- (22) Filed: **Jun. 23, 2016**
- (51) **LOC (11) Cl.** **03-01**
- (52) **U.S. Cl.**
USPC **D3/303**
- (58) **Field of Classification Search**
USPC D3/201, 273-293, 299, 300-301, 303,
D3/203.5, 243, 250, 233, 318, 901;
383/6, 8, 12, 17, 97; 224/148.6, 148.7;
D19/26, 3, 32, 75, 77, 99
CPC A45F 5/00; A45F 2005/006; A45C 11/00;
A45C 11/20; A45C 11/008; A63B 47/001;
A63B 55/00; A61L 9/046; A61L 9/12;
F24F 2003/1689; Y10S 190/902
See application file for complete search history.

(56) **References Cited**

U.S. PATENT DOCUMENTS

238,480	A *	3/1881	Arms	A45C 3/06 150/117
D95,295	S *	4/1935	Walinsky	D3/243
2,218,396	A *	10/1940	Hallbauer	A45C 15/06 150/106
3,023,793	A *	3/1962	Commons	A45C 13/1053 190/119
D226,294	S *	2/1973	Gnader	D19/75
4,004,325	A *	1/1977	Hubachek	A45C 11/323 150/106
D336,987	S *	7/1993	Imbert	D3/243
D338,559	S *	8/1993	Mainwaring	D3/318
5,713,616	A *	2/1998	Knudson	E01H 1/1206 206/223
9,186,284	B1 *	11/2015	Hernandez	A61F 13/55145

9,445,672	B2 *	9/2016	Demosthene	A47C 7/62
D782,814	S *	4/2017	Hernandez	D3/203.5
D782,815	S *	4/2017	Hernandez	D3/203.5

OTHER PUBLICATIONS

Kikkerland Bedside Caddy, posted at amazon.com, available Mar. 25, 2016, © 1996-2017, Amazon.com, [online], [site visited Apr. 13, 2017], Available from Internet, <https://www.amazon.com/Kikkerland-OR74-Bedside-Caddy/dp/B01BSH725O/ref=sr_1_3?ie=UTF8&qid=1492095553&sr=8-3&keywords=felt+bedside+storage+caddy>.*

* cited by examiner

Primary Examiner — Anhdao Doan
Assistant Examiner — Mary Shannon Malley
(74) *Attorney, Agent, or Firm* — Charles H Jew

(57) **CLAIM**

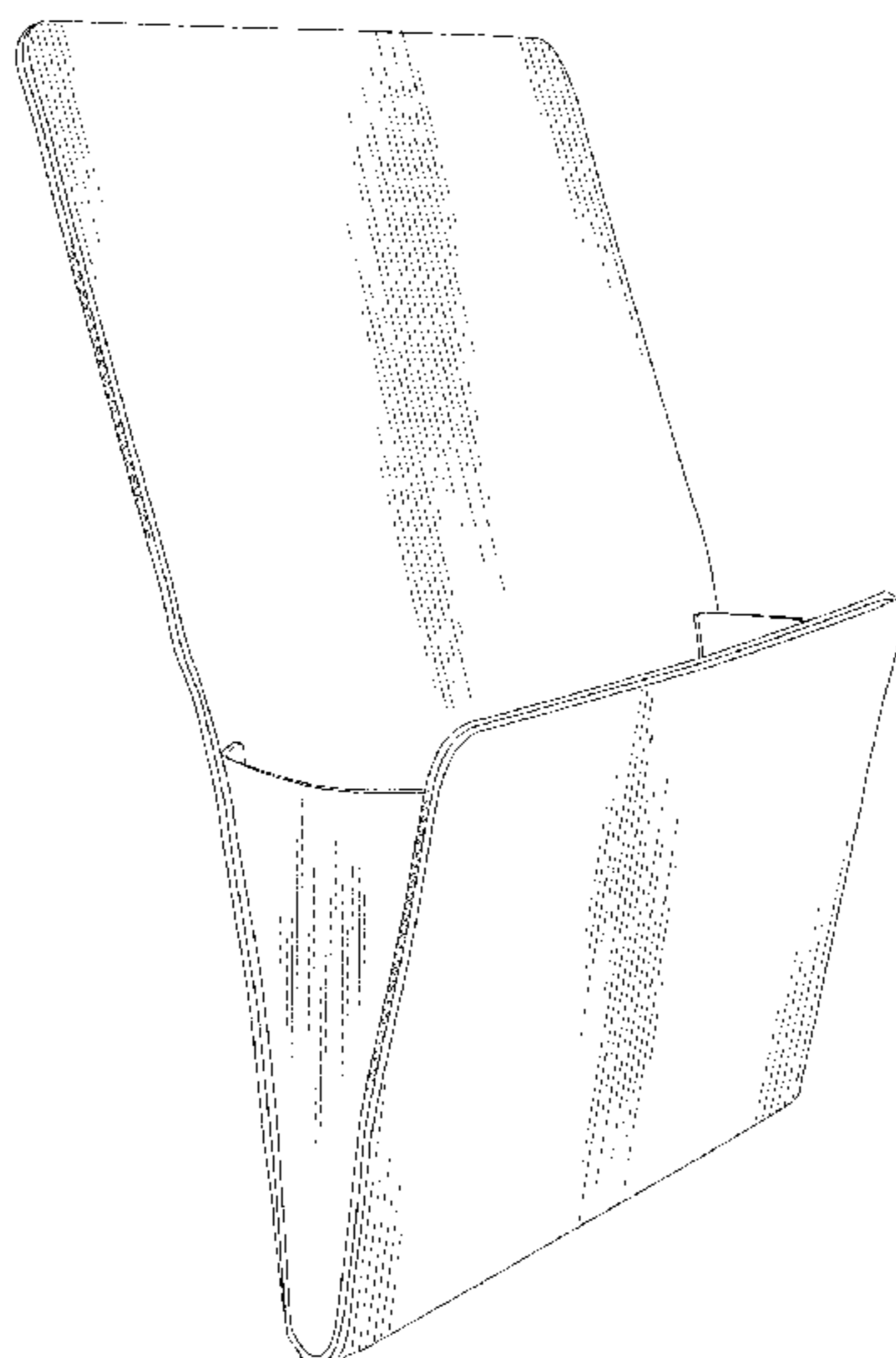
The ornamental design for a storage pouch, as shown and described.

DESCRIPTION

FIG. 1 is a left side elevational view of a storage pouch showing my novel design;
 FIG. 2 is a right side elevational view thereof;
 FIG. 3 is a top plan view thereof;
 FIG. 4 is a bottom plan view thereof;
 FIG. 5 is a front elevational view thereof;
 FIG. 6 is a rear elevational view thereof;
 FIG. 7 is a front perspective view thereof;
 FIG. 8 is a front perspective view thereof with the flap in a lowered position and a computer device stored in the pouch; and,
 FIG. 9 is a front perspective view thereof in a folded position.

The drawings have been lined to indicate that the storage pouch is made from cloth or fabric material. The broken lines in FIG. 8 depicting the computer device illustrate environment which forms no part of the claimed design.

1 Claim, 6 Drawing Sheets



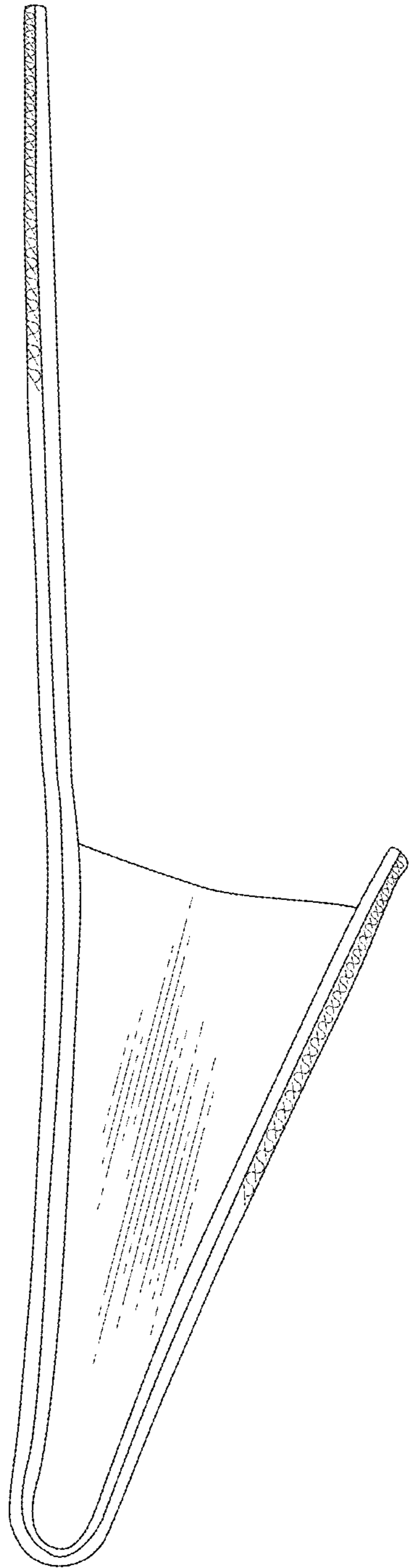


FIG. 1

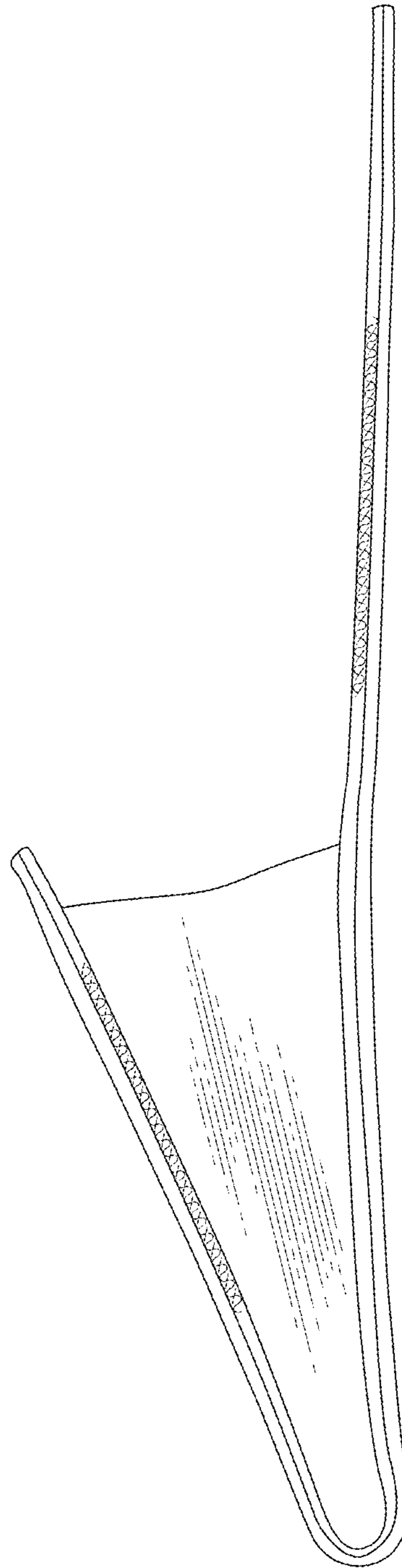


FIG. 2

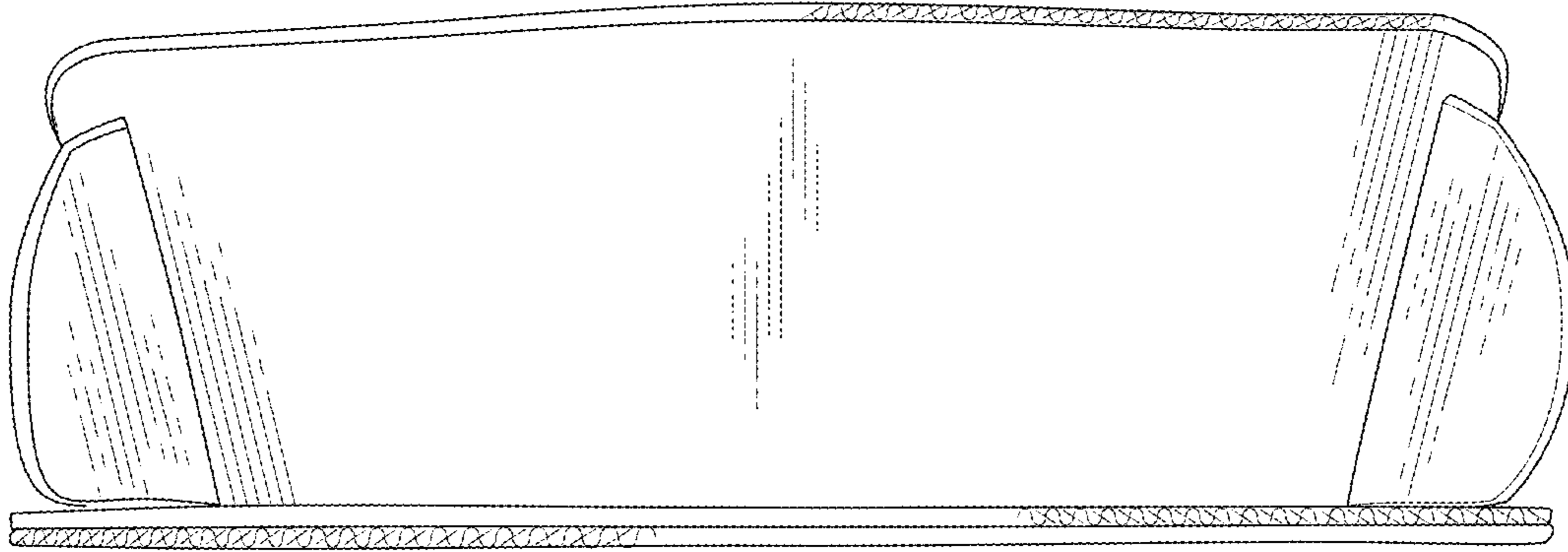


FIG. 3

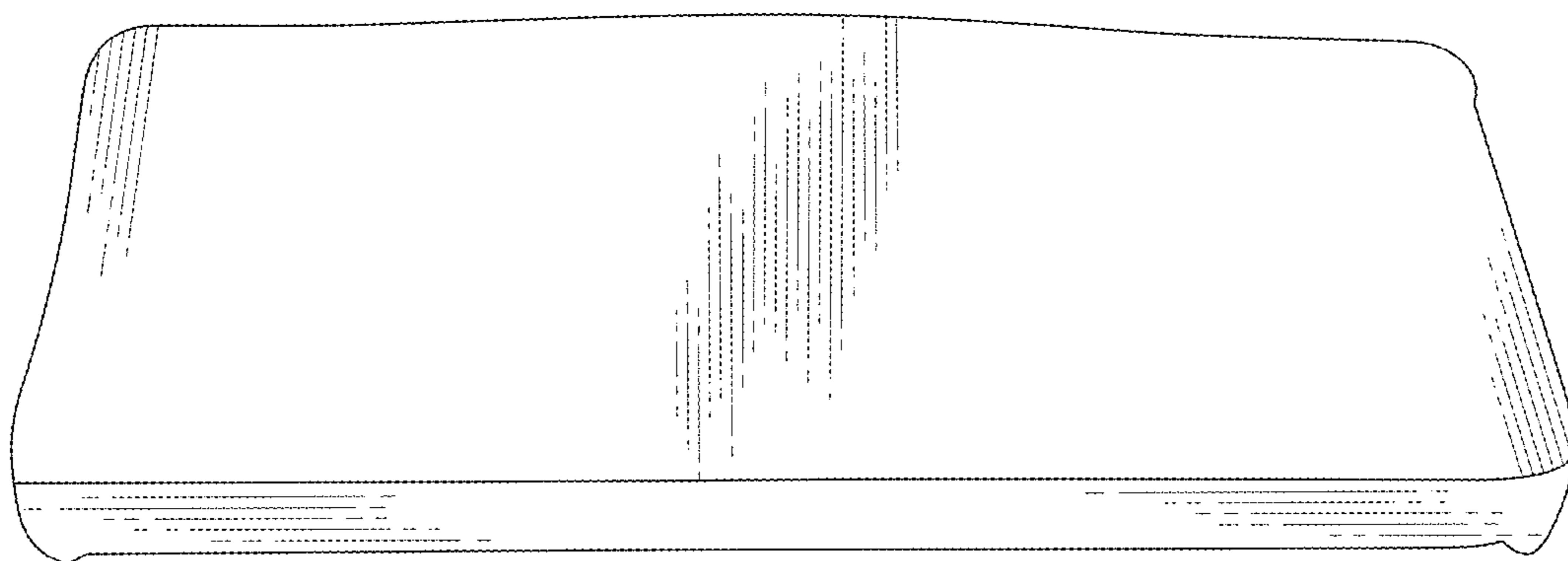


FIG. 4

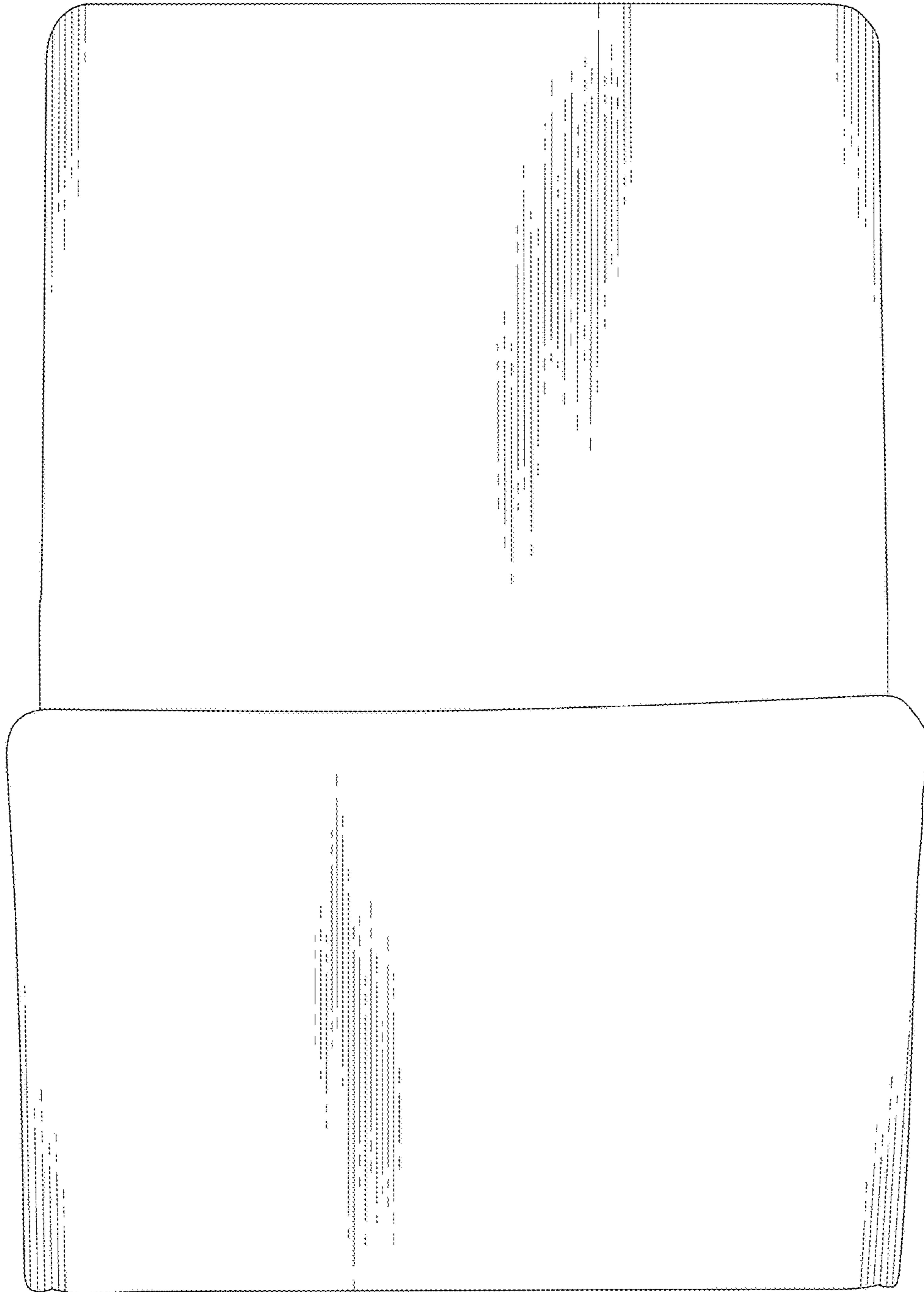


FIG. 5

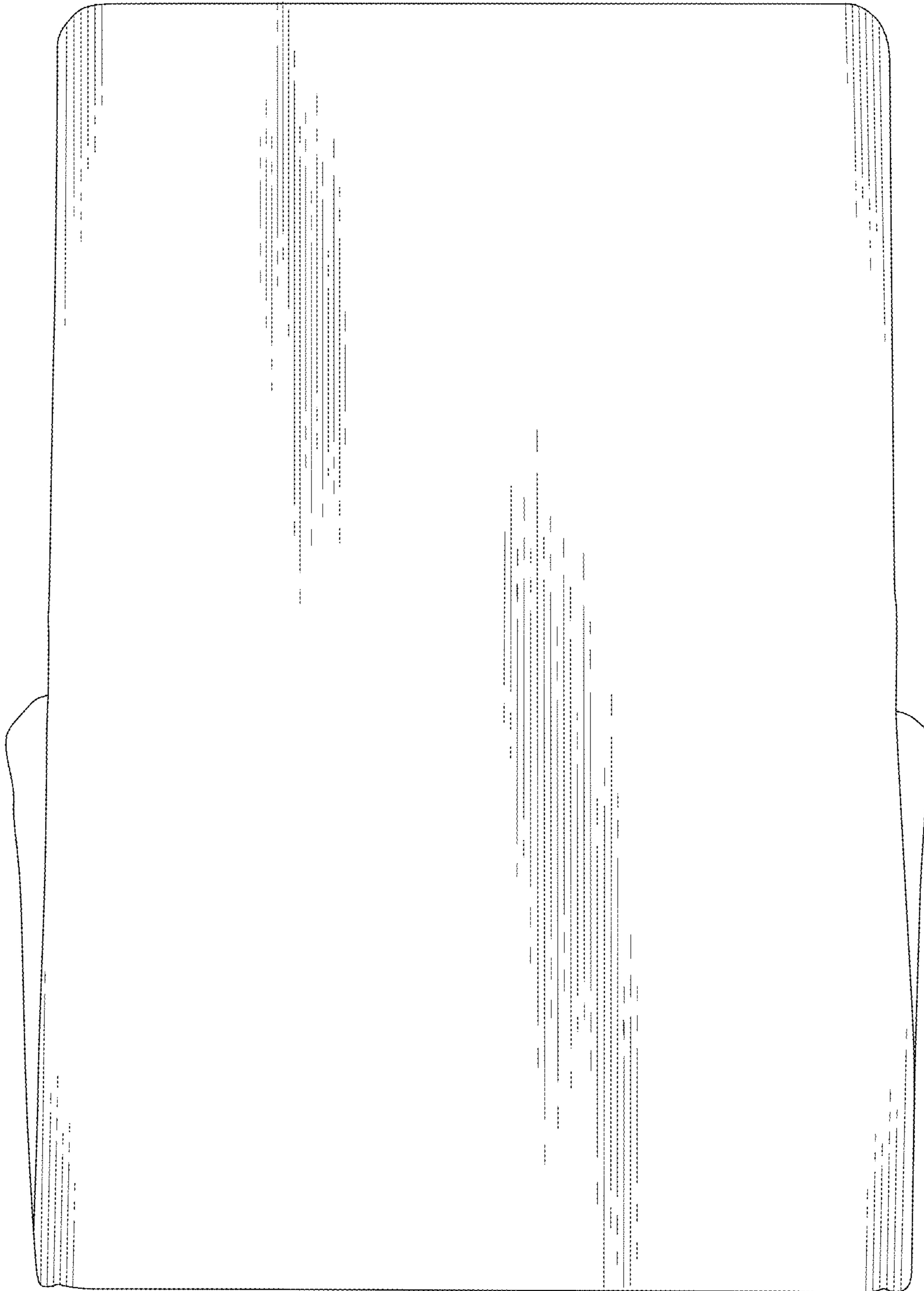


FIG. 6

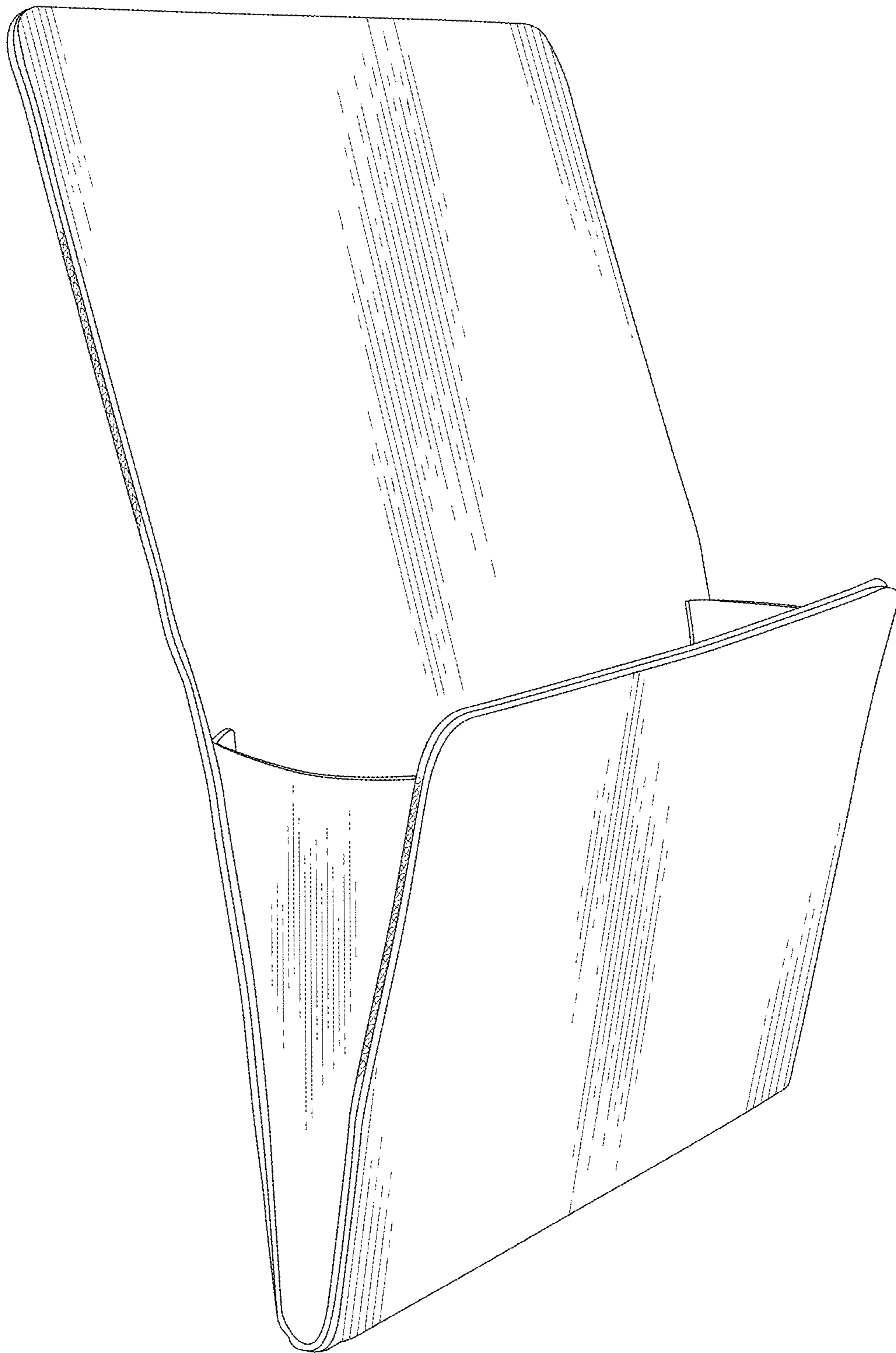


FIG. 7

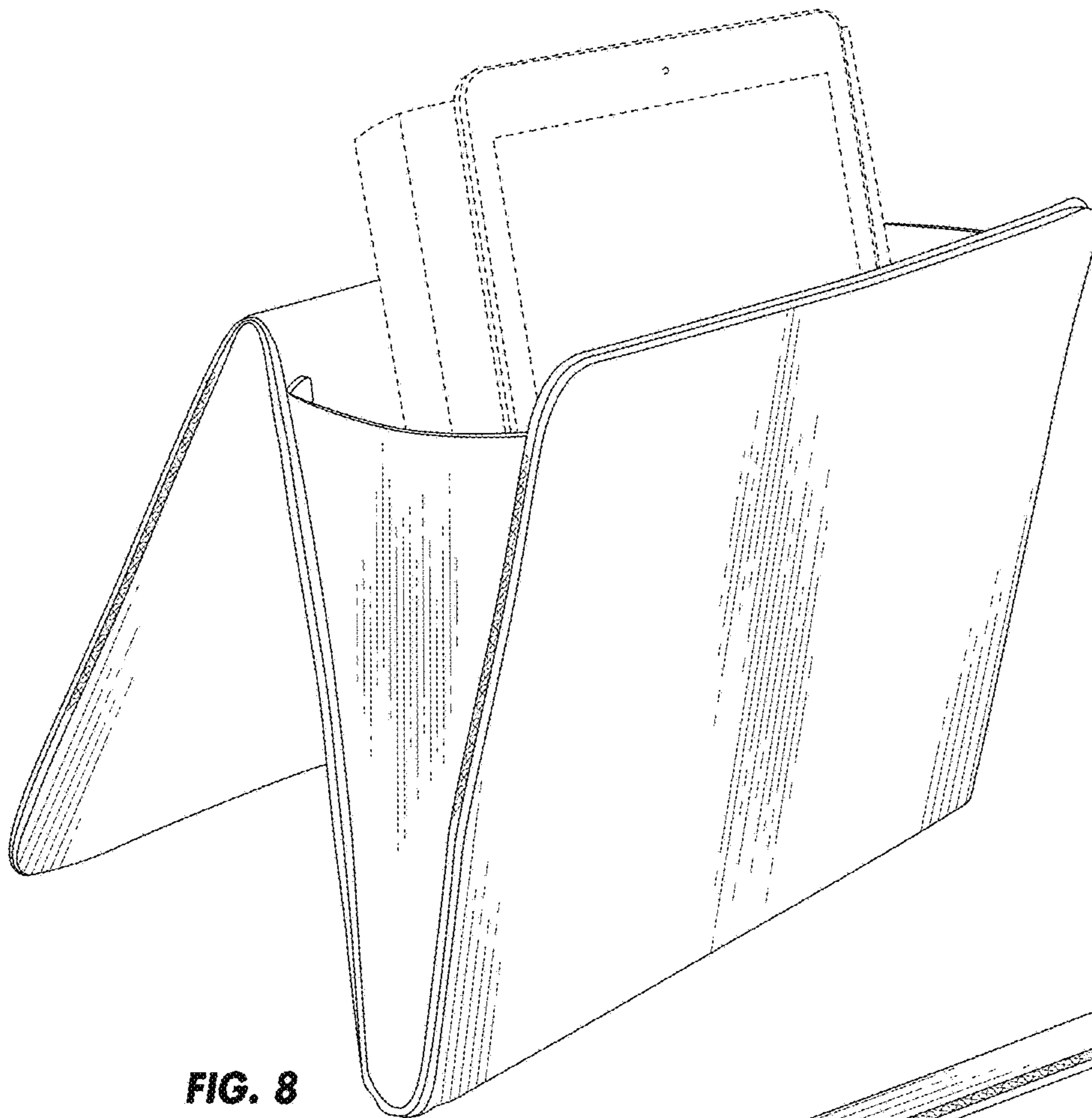


FIG. 8

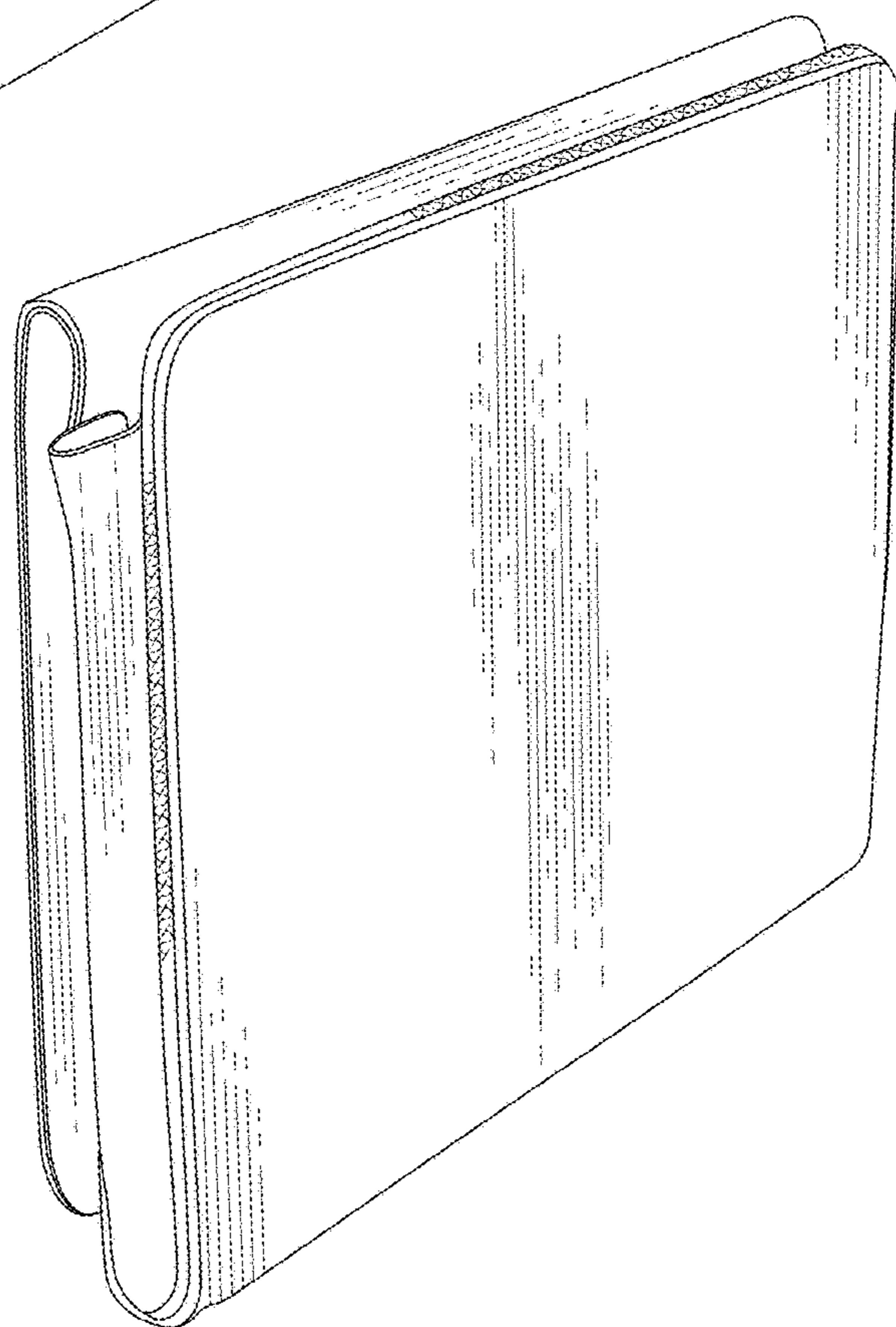


FIG. 9