



US00D830695S

(12) **United States Design Patent** (10) **Patent No.:** **US D830,695 S**
Brunner (45) **Date of Patent:** **** Oct. 16, 2018**

(54) **TOOLBOX TROLLEY**
(71) Applicant: **Keter Plastic Ltd.**, Herzelyia (IL)
(72) Inventor: **Yaron Brunner**, Kibbutz Gvat (IL)
(73) Assignee: **KETER PLASTIC LTD.**, Herzelyia (IL)
(**) Term: **15 Years**
(21) Appl. No.: **29/582,331**
(22) Filed: **Oct. 27, 2016**
(51) **LOC (11) Cl.** **03-01**
(52) **U.S. Cl.**
USPC **D3/279; D3/905**
(58) **Field of Classification Search**
USPC D3/269, 272, 273, 274, 276, 279, 281, D3/282, 283, 288, 290, 294, 298, 299, D3/905, 217; D34/12, 14, 17, 19, 20, 18, D34/23, 24, 25, 27
CPC B62B 1/00; B62B 3/00; B25H 3/00; B25H 3/003; B25H 3/02; B25H 5/00; A45C 7/00; A45C 5/00; A45C 5/005; A45C 2005/037; A45C 5/04; A45C 5/14; A45C 2007/0004; A45C 7/0018; A45C 2009/002
See application file for complete search history.

(56) **References Cited**
U.S. PATENT DOCUMENTS
D378,874 S * 4/1997 Dickinson D3/281
6,318,713 B1 * 11/2001 Levi B25H 1/04
206/216
D467,426 S * 12/2002 Hardigg D3/276
D610,351 S * 2/2010 Brunner D3/273
D618,911 S * 7/2010 Brunner D3/281
D649,349 S * 11/2011 Chen D3/276
D709,287 S * 7/2014 Shitrit D3/279

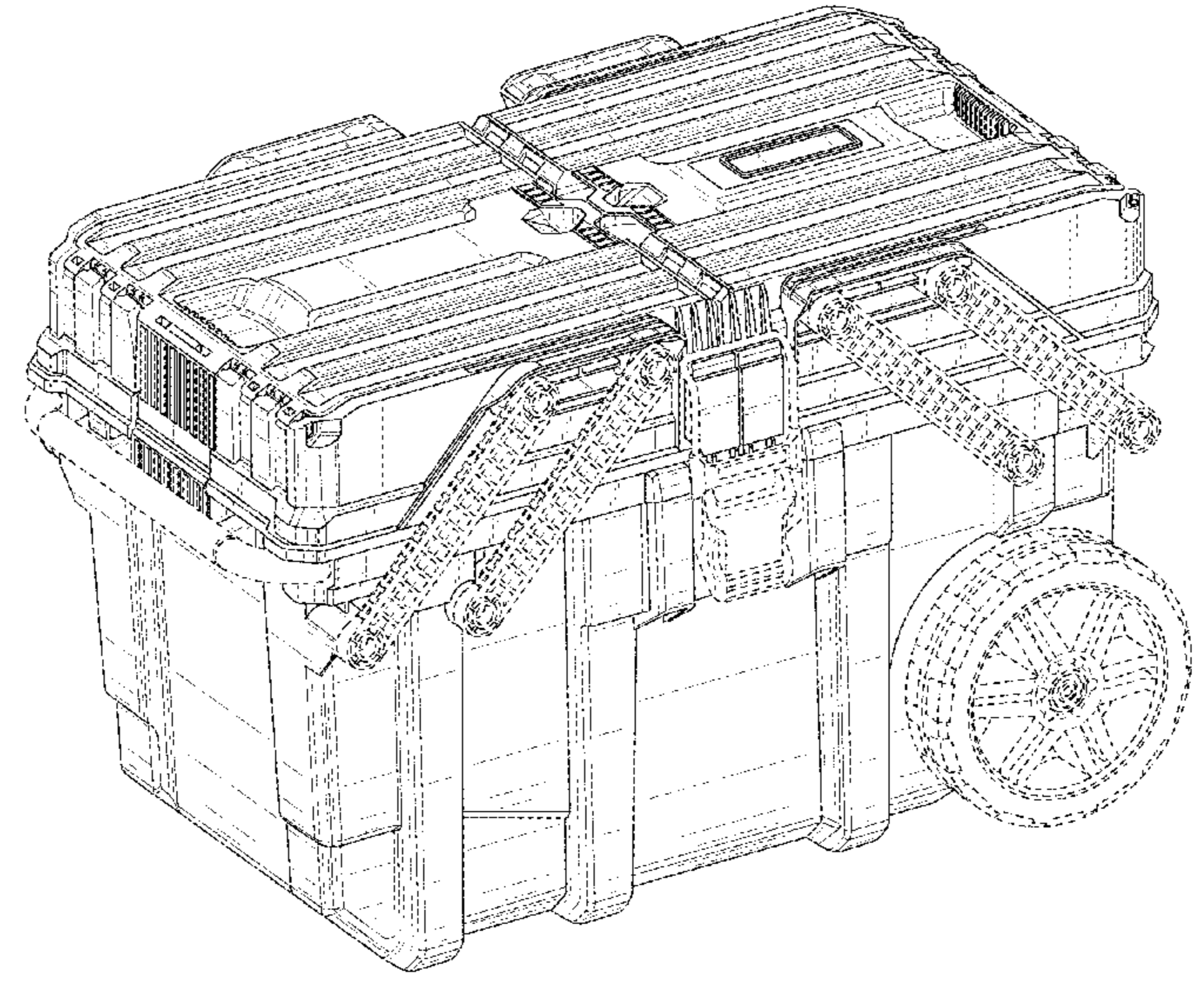
8,991,599 B2 * 3/2015 Wilson B25H 3/026
108/145
D738,105 S * 9/2015 Shitrit D3/276
D744,750 S * 12/2015 Sabbag D3/281
D771,381 S * 11/2016 Sosnovsky D3/279
D792,094 S * 7/2017 Stoikos D3/274
2012/0292213 A1 * 11/2012 Brunner B25H 3/028
206/349
2014/0197059 A1 * 7/2014 Evans B25H 3/02
206/349
2016/0309863 A1 * 10/2016 Tonelli A45C 5/03
2017/0129097 A1 * 5/2017 Engvall B25H 3/02

* cited by examiner
Primary Examiner — Jennifer Rivard
Assistant Examiner — April Rivas
(74) *Attorney, Agent, or Firm* — Vorys, Sater, Seymour & Pease LLP

(57) **CLAIM**
The ornamental design for a toolbox trolley, as shown and described.

DESCRIPTION
FIG. 1 is a perspective view of a design for a toolbox trolley; FIG. 2 is a right side elevational view of the design as seen in FIG. 1; FIG. 3 is a left side elevational view of the design as seen in FIG. 1; FIG. 4 is a front elevational view of the design as seen in FIG. 1; FIG. 5 is a rear elevational view of the design as seen in FIG. 1; FIG. 6 is a top plan view of the design as seen in FIG. 1; and, FIG. 7 is a bottom plan view of the design as seen in FIG. 1.
The broken lines in FIGS. 1-7 illustrate portions of the toolbox trolley and form no part of the claimed design.

1 Claim, 7 Drawing Sheets



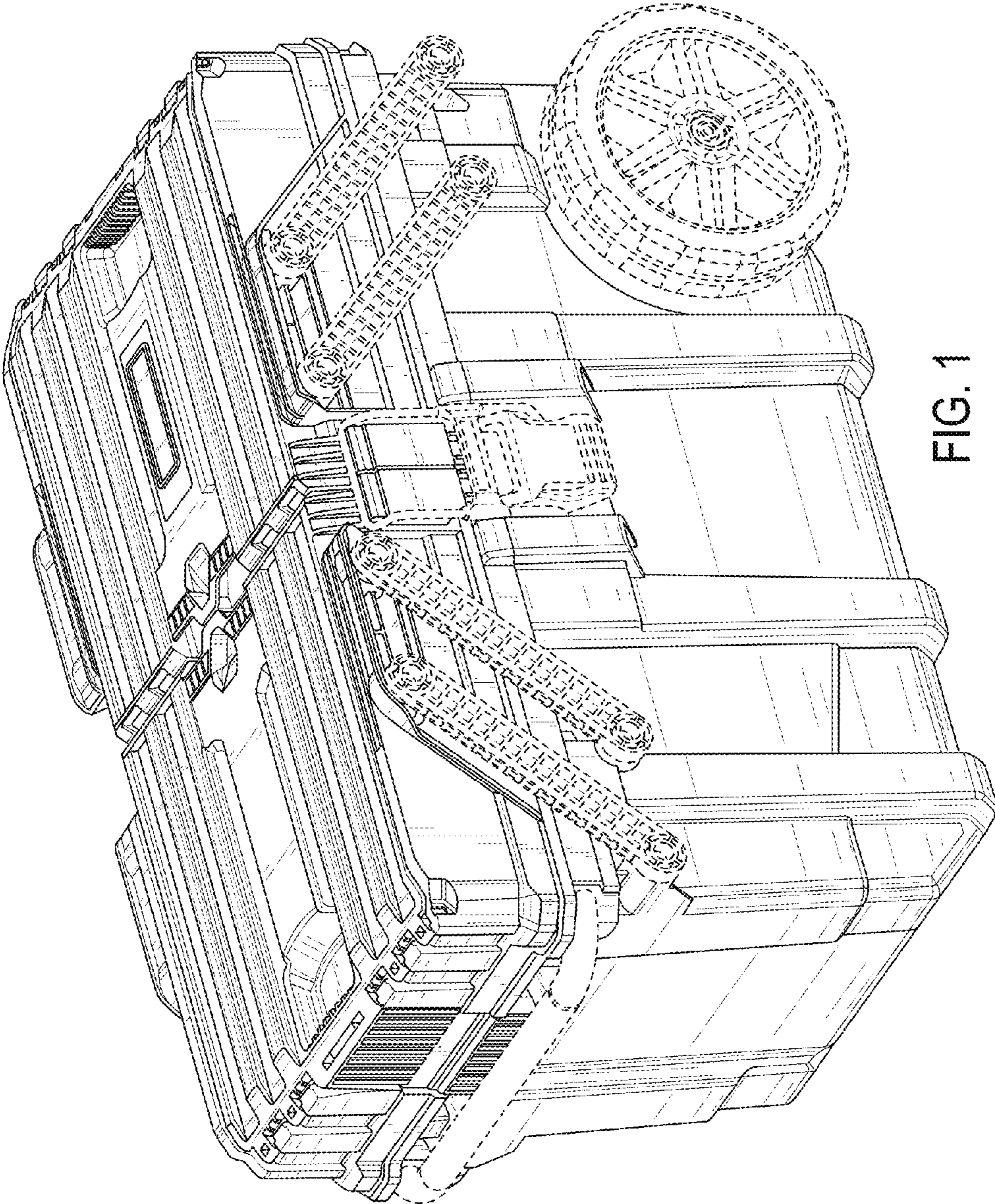


FIG. 1

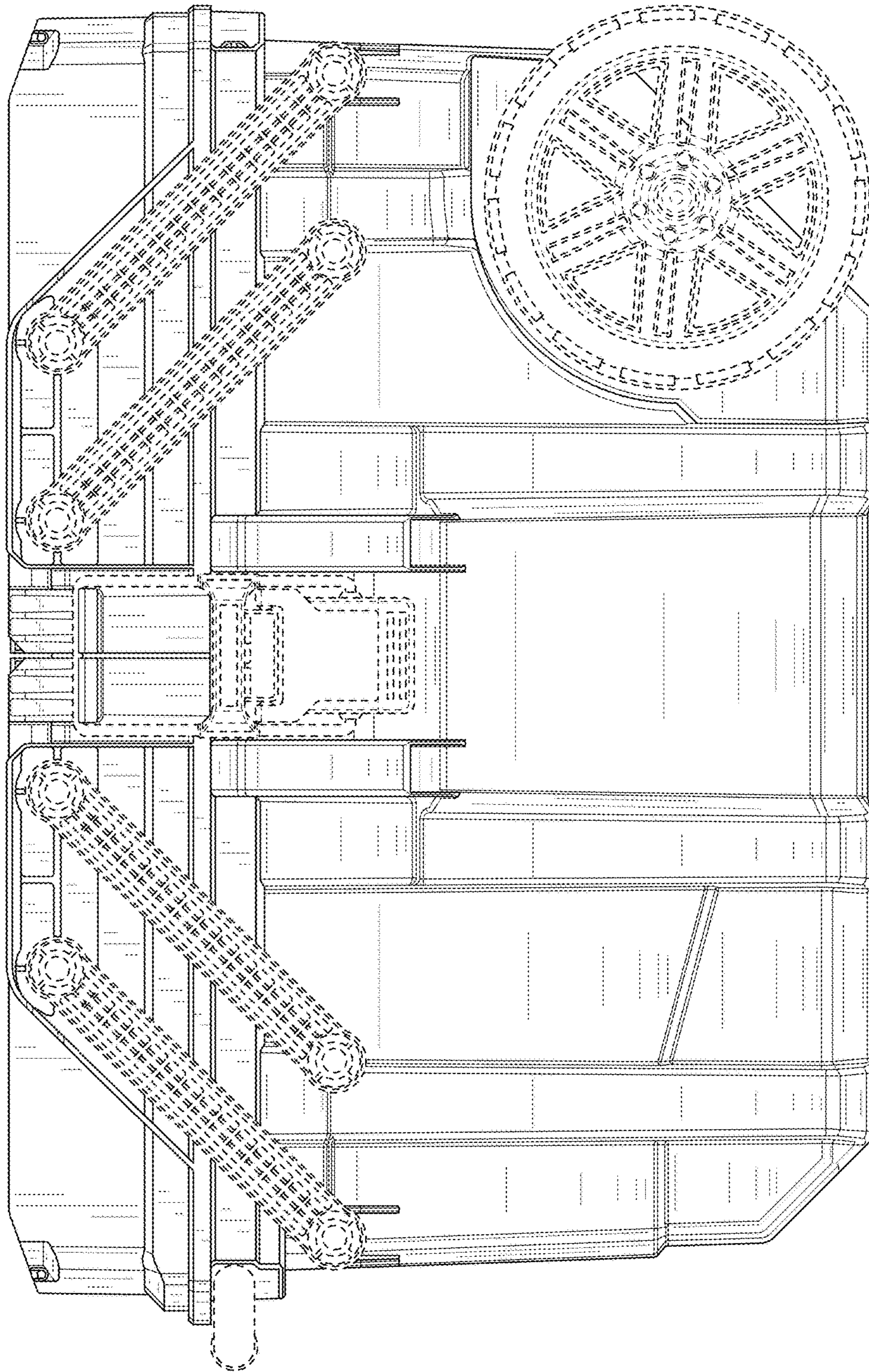


FIG. 2

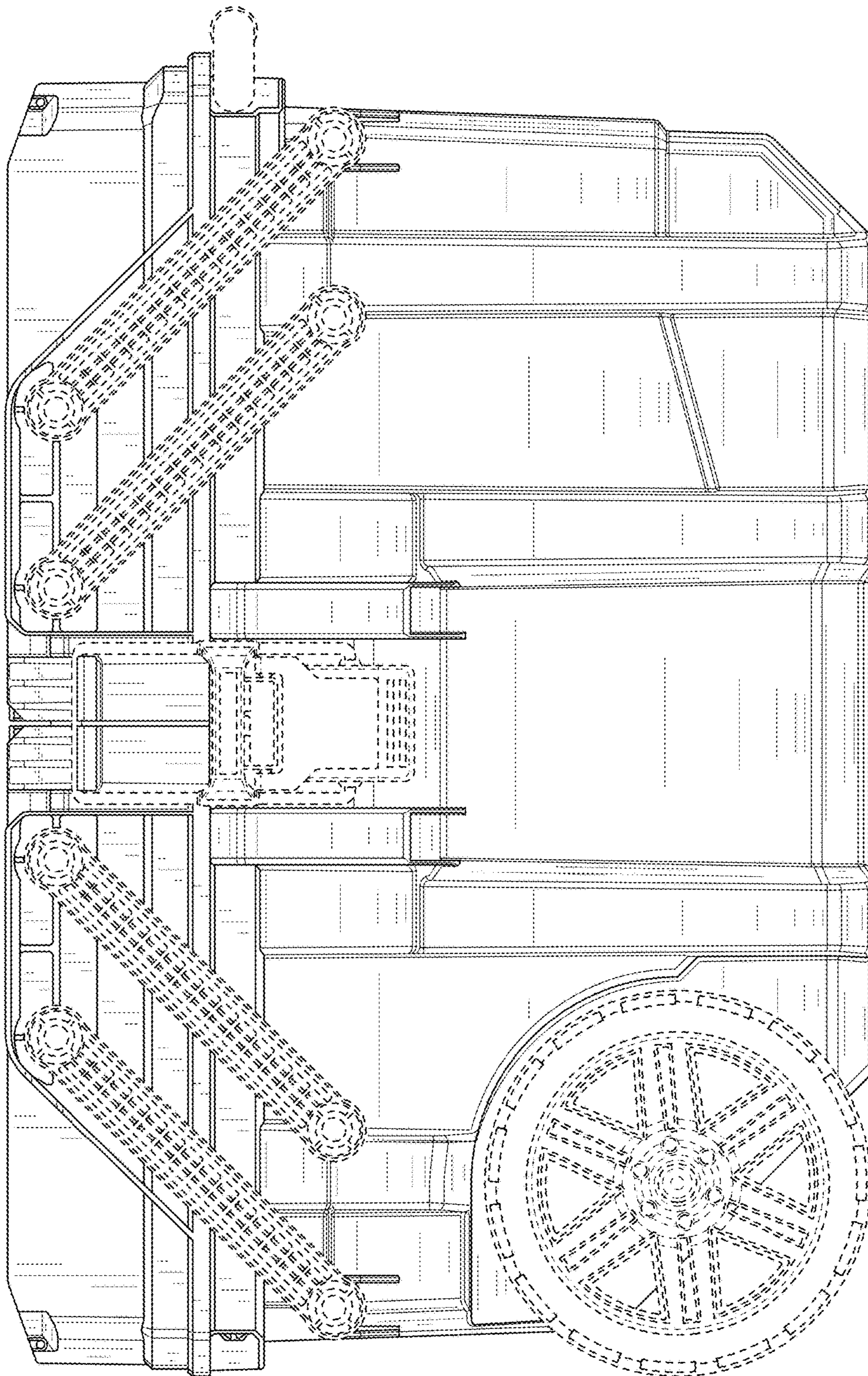


FIG. 3

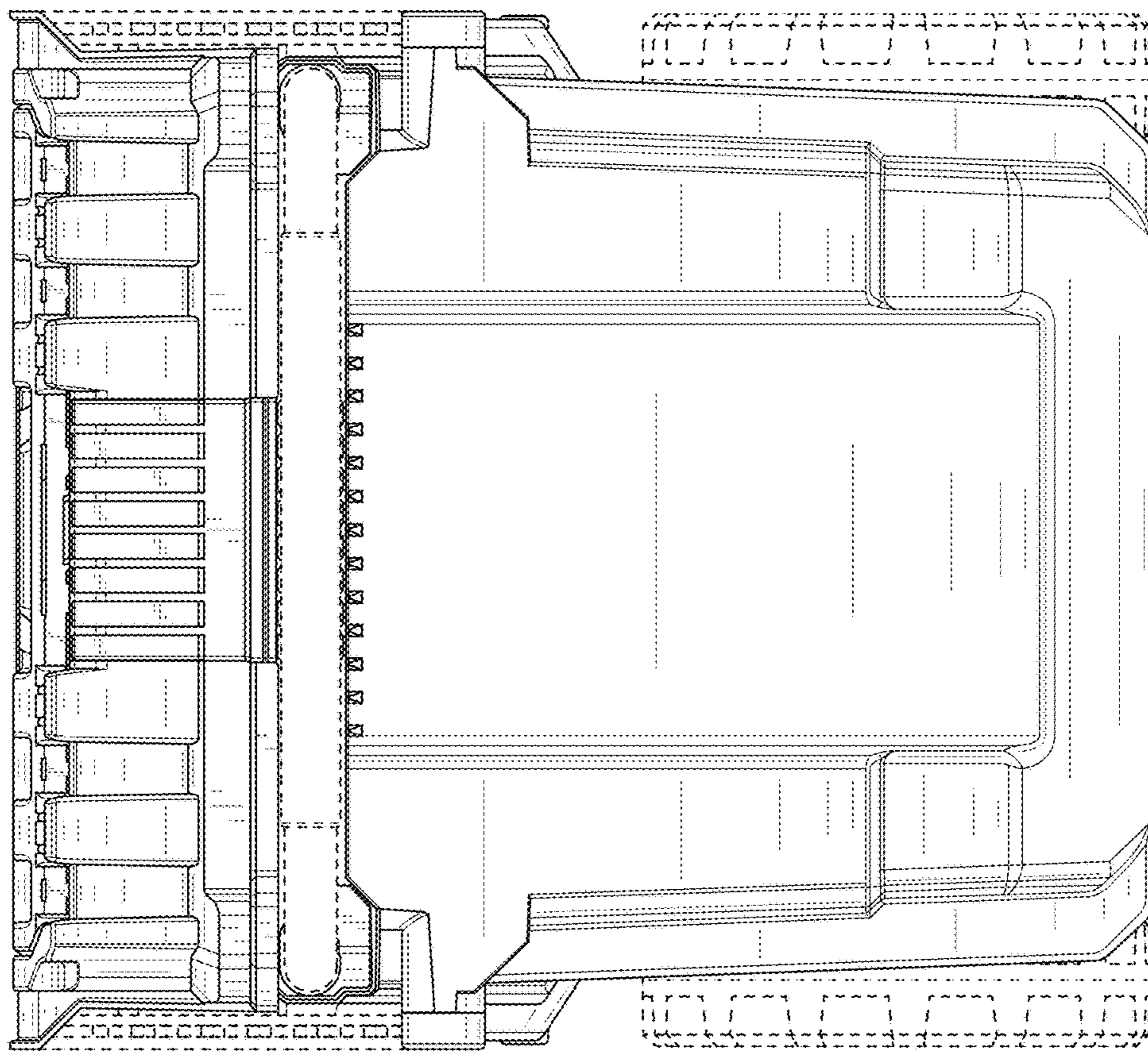


FIG. 4

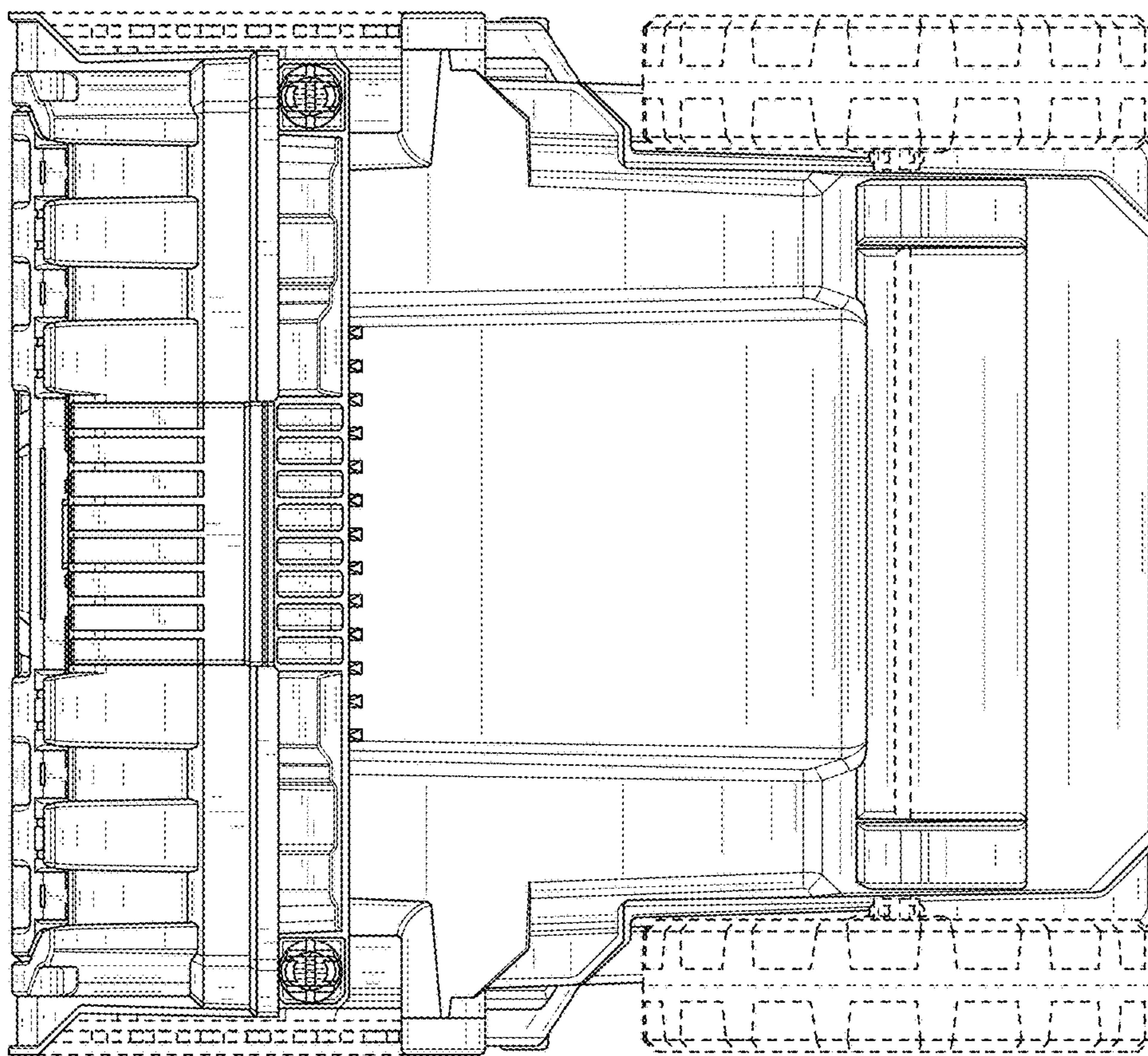


FIG. 5

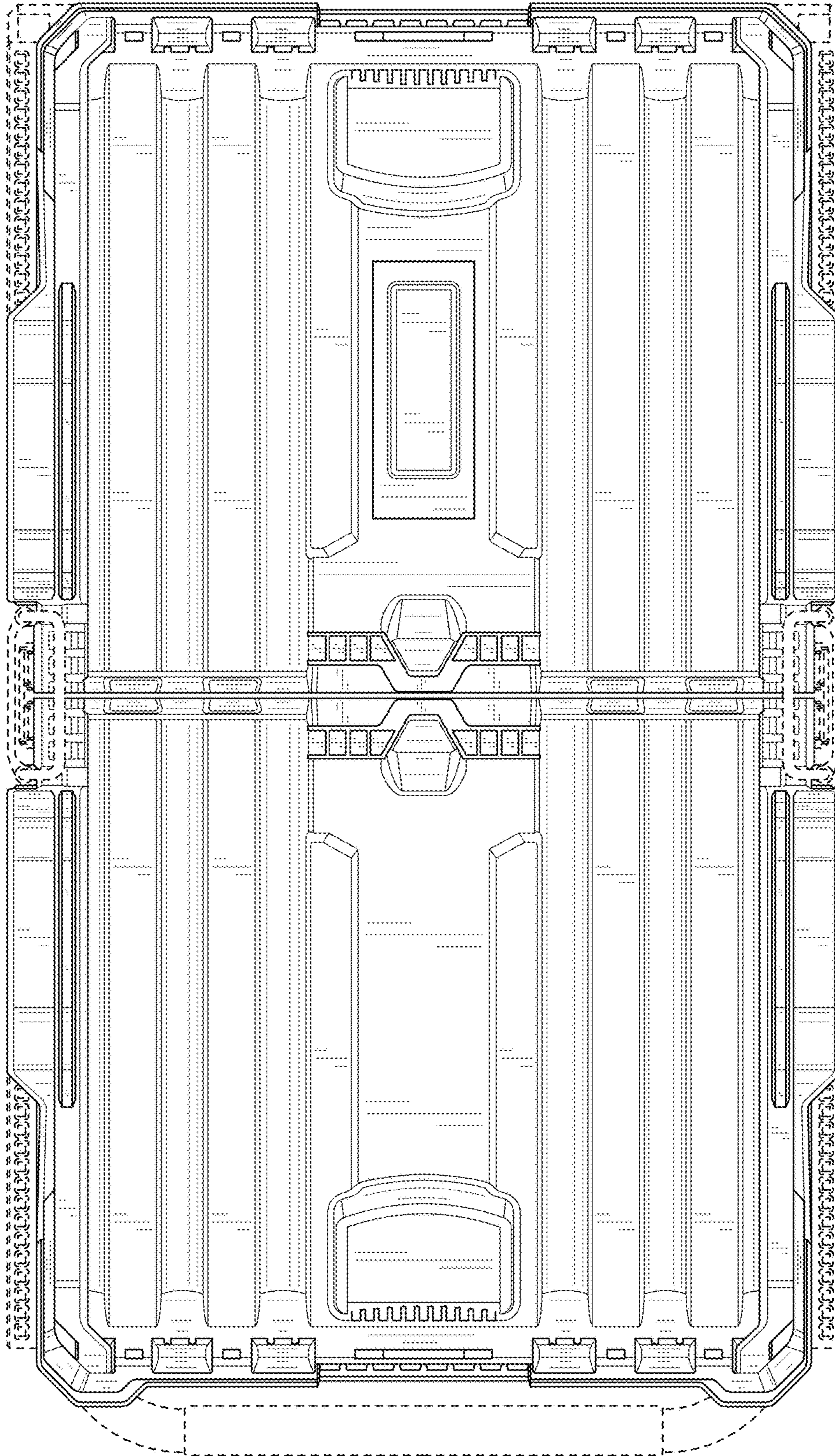


FIG. 6

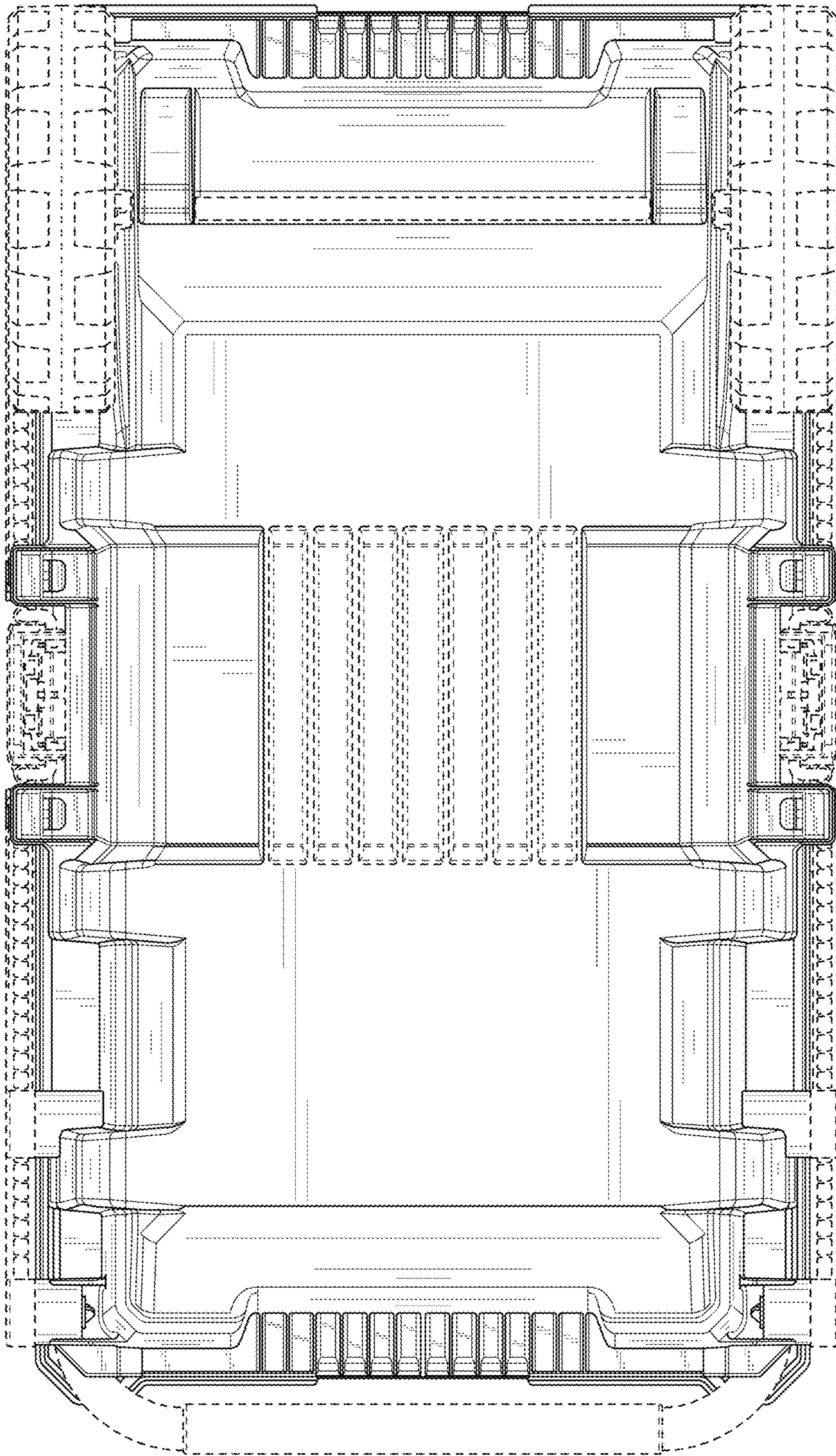


FIG. 7