



US00D830694S

(12) **United States Design Patent** (10) **Patent No.:** **US D830,694 S**
Barker (45) **Date of Patent:** **** Oct. 16, 2018**

(54) **LUGGAGE WITH VERTICALLY EXPANDABLE SHELF SYSTEM**
(71) Applicant: **Bradd Barker**, Oakland Park, FL (US)
(72) Inventor: **Bradd Barker**, Oakland Park, FL (US)
(73) Assignee: **BARKER FAMILY INTELLECTUAL PROPERTIES, LLC**, Sea Ranch Lakes, FL (US)

Primary Examiner — Jennifer Rivard
Assistant Examiner — April Rivas
(74) *Attorney, Agent, or Firm* — Mark D. Bowen; Malin Haley DiMaggio Bowen, P.A.

(**) Term: **15 Years**

(57) **CLAIM**

The ornamental design for a luggage with a vertically expandable shelf system, as shown and described.

(21) Appl. No.: **29/567,362**
(22) Filed: **Jun. 8, 2016**
(51) **LOC (11) Cl.** **03-01**
(52) **U.S. Cl.**
USPC **D3/279**; D3/285; D3/902
(58) **Field of Classification Search**
USPC D3/203.6, 217, 218, 233, 249, 269, 274,
D3/276, 279, 282, 284, 288, 289, 290,
D3/900, 901, 902, 905, 313, 903, 272,
D3/302, 261
CPC .. B65D 85/68; A45C 3/00; A45C 5/00; A45C
2003/007; A45C 2003/008; A45C 5/03;
A45C 5/04; A45C 7/0036; A45C
(Continued)

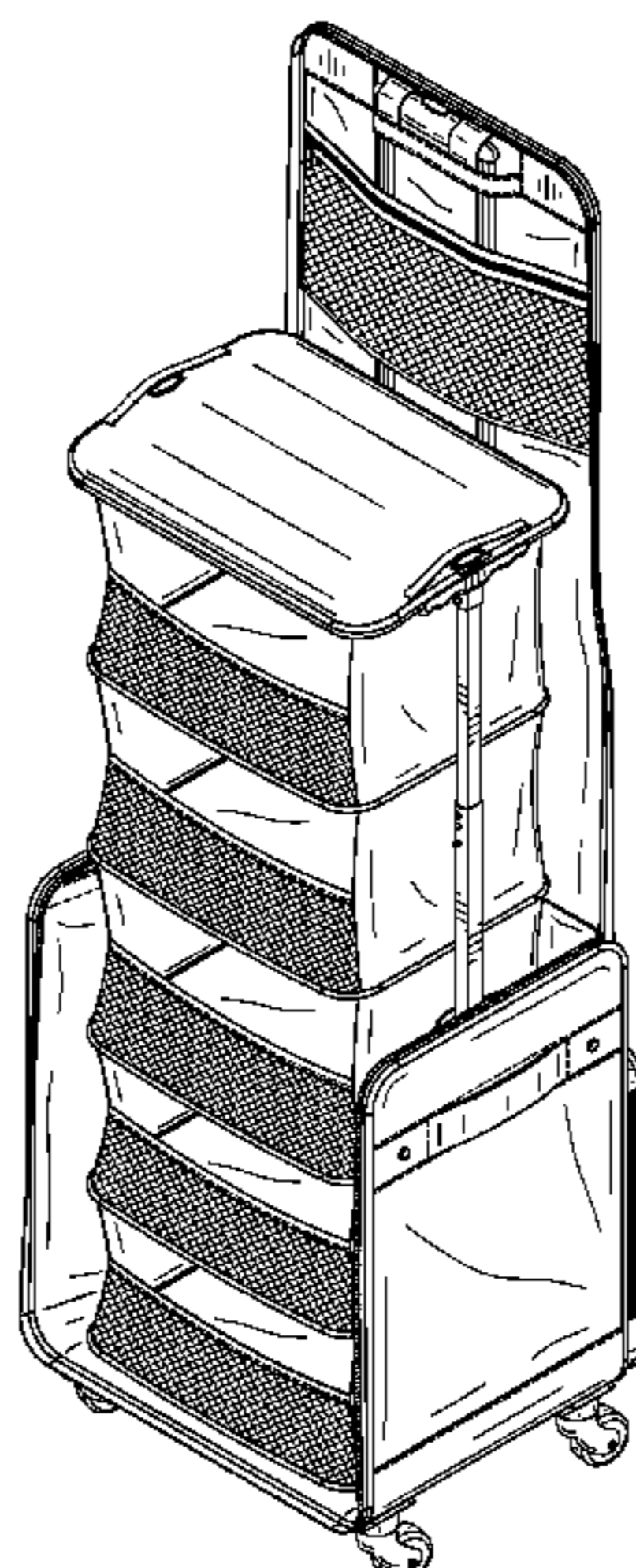
DESCRIPTION

FIG. 1 is a front top right-side perspective view of an article of luggage having a vertically expandable shelf system depicted in an open configuration with the shelf system expanded in accordance with the present invention; FIG. 2 is a front top perspective view thereof; FIG. 3 is a bottom rear left side perspective view thereof; FIG. 4 is a top view thereof; FIG. 5 is a bottom view thereof; FIG. 6 is a left side view thereof; FIG. 7 is a right side view thereof; FIG. 8 is a front view thereof; FIG. 9 is a rear view thereof; FIG. 10 is a front top right side view of the article of luggage in the closed configuration; FIG. 11 is a front bottom right side view thereof; FIG. 12 is a top view thereof; FIG. 13 is a bottom view thereof; FIG. 14 is a right side view thereof; FIG. 15 is a left side thereof; FIG. 16 is a front view thereof; FIG. 17 is a rear view thereof; FIG. 18 is a front right hand perspective view thereof with the front/top flap open and the shelf system in a non-expanded configuration; FIG. 19 is a front top left hand perspective view thereof; and, FIG. 20 is a right side rear view perspective view thereof. The broken lines illustrate stitching and form no part of the claimed design.

(56) **References Cited**
U.S. PATENT DOCUMENTS
D273,534 S * 4/1984 Weinreb D3/268
D315,986 S * 4/1991 Blevins D3/279
(Continued)

OTHER PUBLICATIONS
Facebook photo post by user the Original FlipFOLD—The Ultimate Folding Tool, posted Mar. 13, 2016, Accessed Oct. 26, 2017. (<https://www.facebook.com/OriginalFlipFold/photos/a.482658252926.261771.364717062926/10153394014047927/?type=3&theater>).*
(Continued)

1 Claim, 18 Drawing Sheets



US D830,694 S

Page 2

- (58) **Field of Classification Search**
CPC 2009/007; A45C 11/16; A45C 7/00; A45C
7/0059; A45C 5/14; A45C 9/00
See application file for complete search history.

(56) **References Cited**

U.S. PATENT DOCUMENTS

D402,463 S * 12/1998 Mettler D3/279
D419,299 S * 1/2000 Bauer D3/279
D446,009 S * 8/2001 Mandell D3/216
D552,349 S * 10/2007 Greiner D3/278
7,334,669 B2 2/2008 Barker et al.
D625,517 S * 10/2010 Rossi D3/272
D668,833 S 10/2012 Detongi
D670,112 S 11/2012 Malone
D679,121 S 4/2013 Malone
8,820,522 B2 9/2014 Quarry
9,101,187 B2 * 8/2015 Zheng A45C 7/02

2005/0121275 A1* 6/2005 Platte, III A45C 5/065
190/103
2005/0126872 A1* 6/2005 Dror A45C 9/00
190/107
2006/0137949 A1* 6/2006 Levinson A45C 5/14
190/18 A
2008/0083592 A1* 4/2008 Mangano A45C 7/0077
190/110
2013/0126286 A1 5/2013 Chehebar

OTHER PUBLICATIONS

Home Shopping Network, "Debbie Flip 'N Pack Expandable Rolling Storage—Stripe", Accessed Oct. 27, 2017, Linked on included facebook post Mar. 13, 2016. (<https://www.hsn.com/products/debbie-flip-n-pack-expandable-rolling-storage-stripe/8271666>).*

* cited by examiner

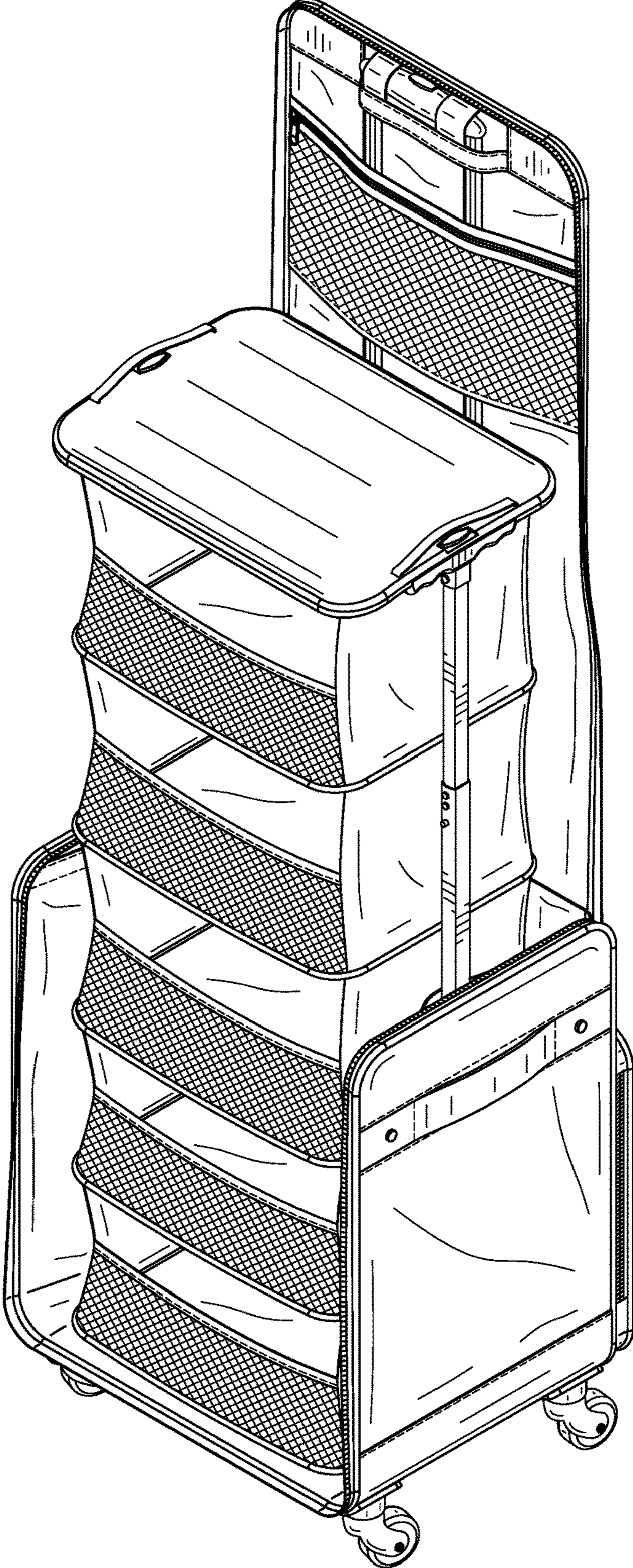


FIG. 1

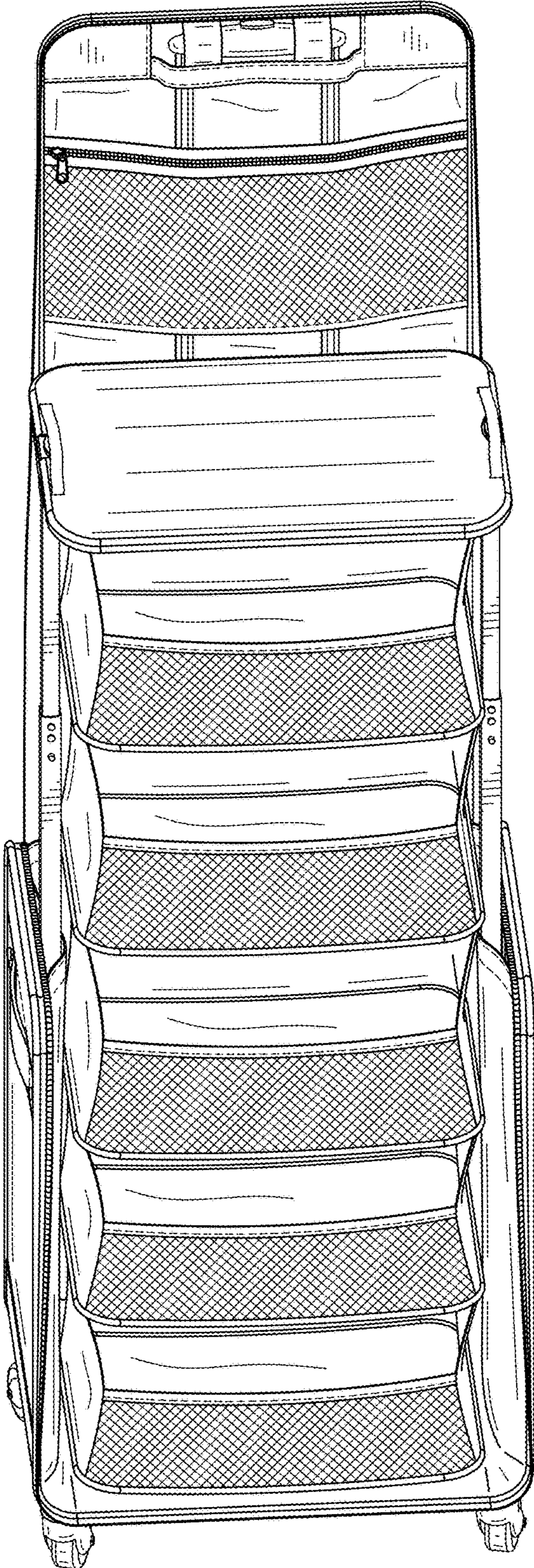


FIG. 2

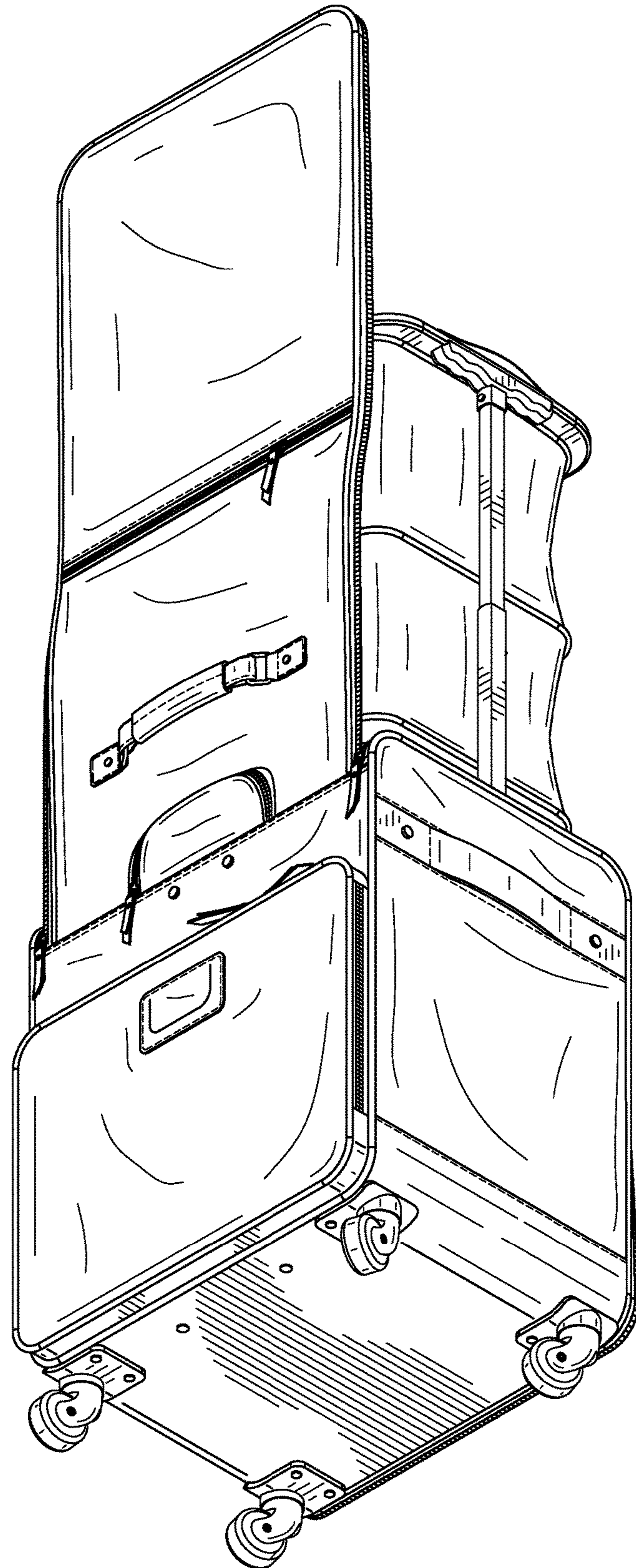


FIG. 3

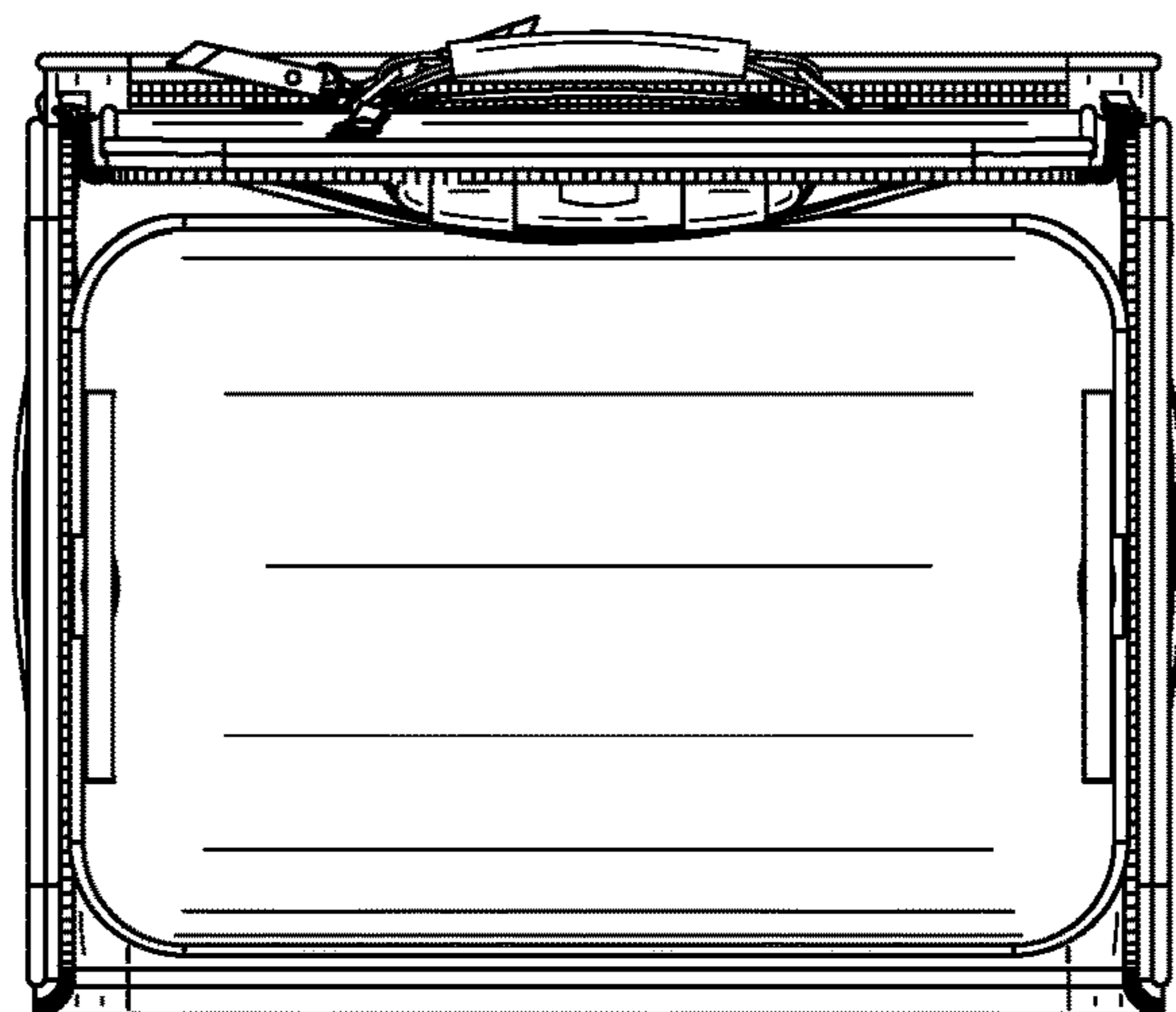


FIG. 4

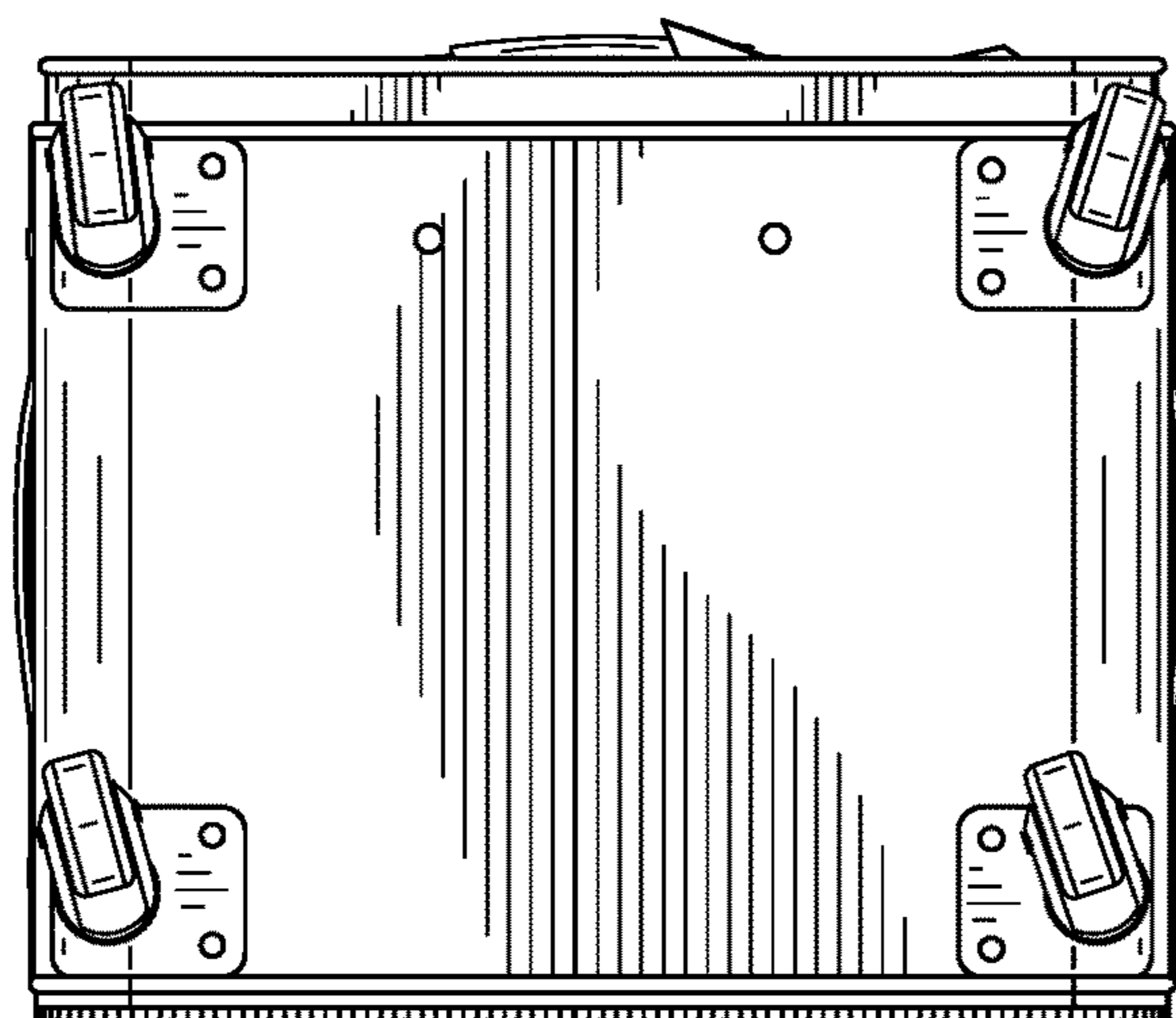


FIG. 5

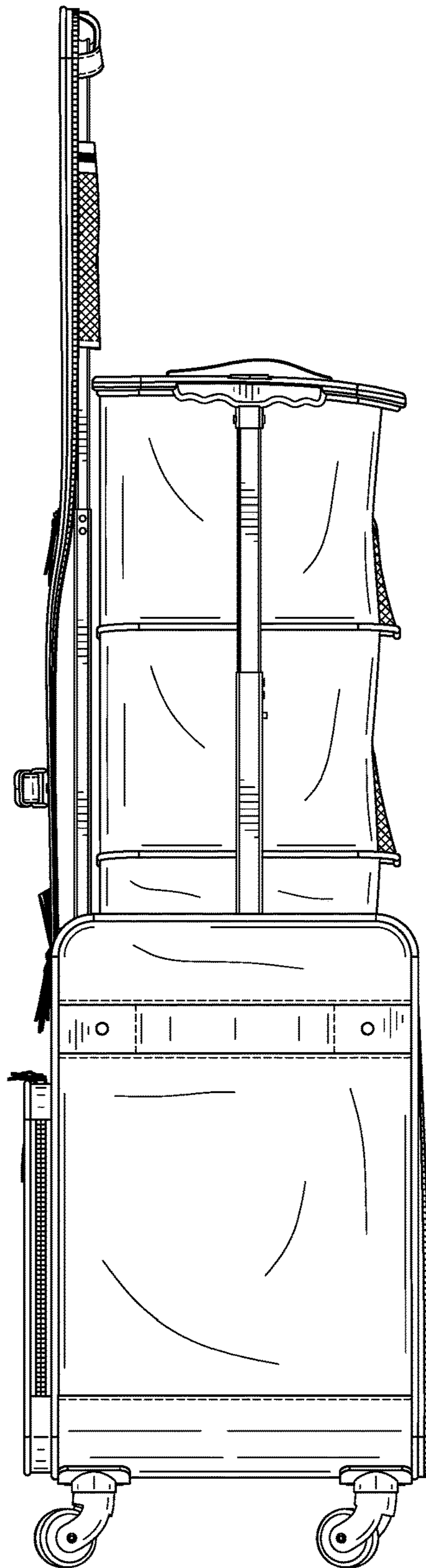


FIG. 6

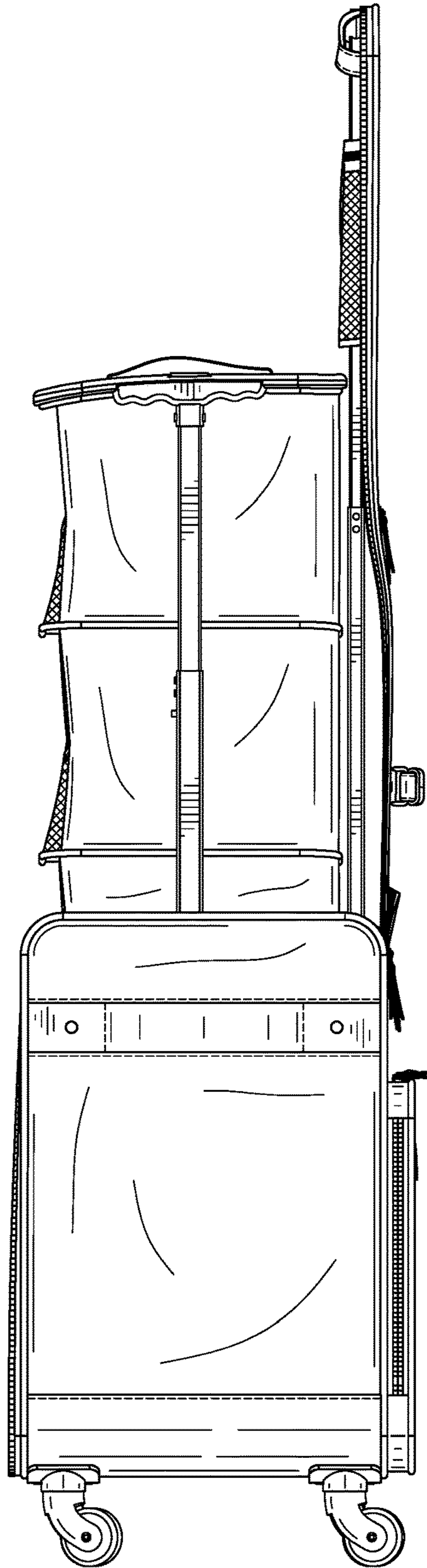


FIG. 7

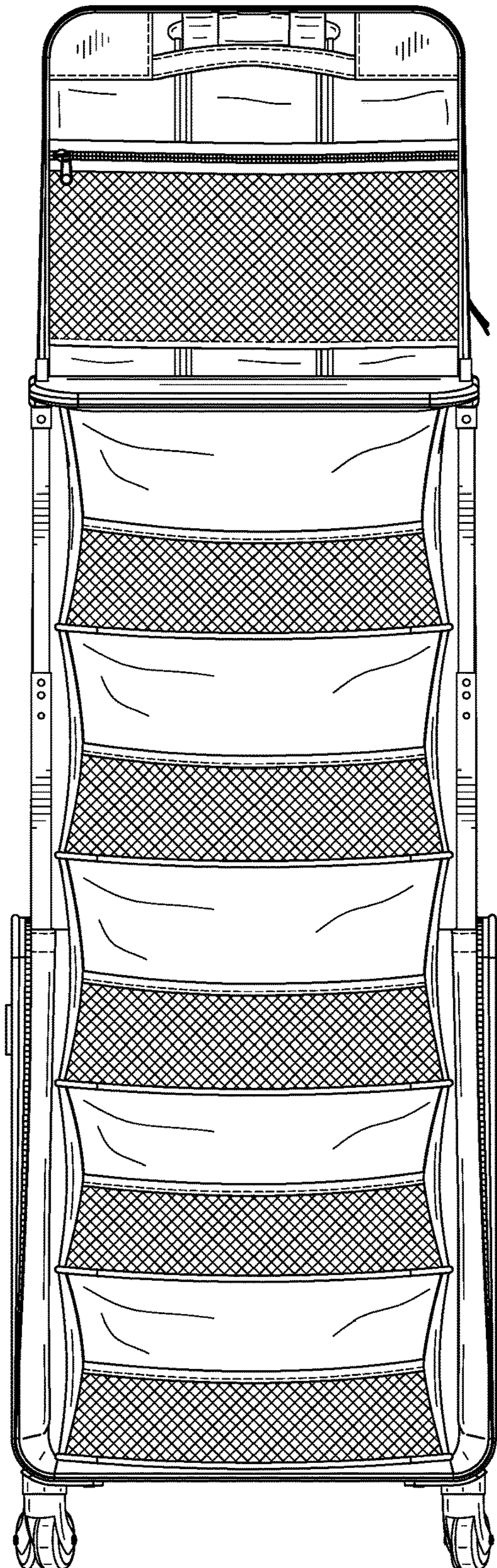


FIG. 8

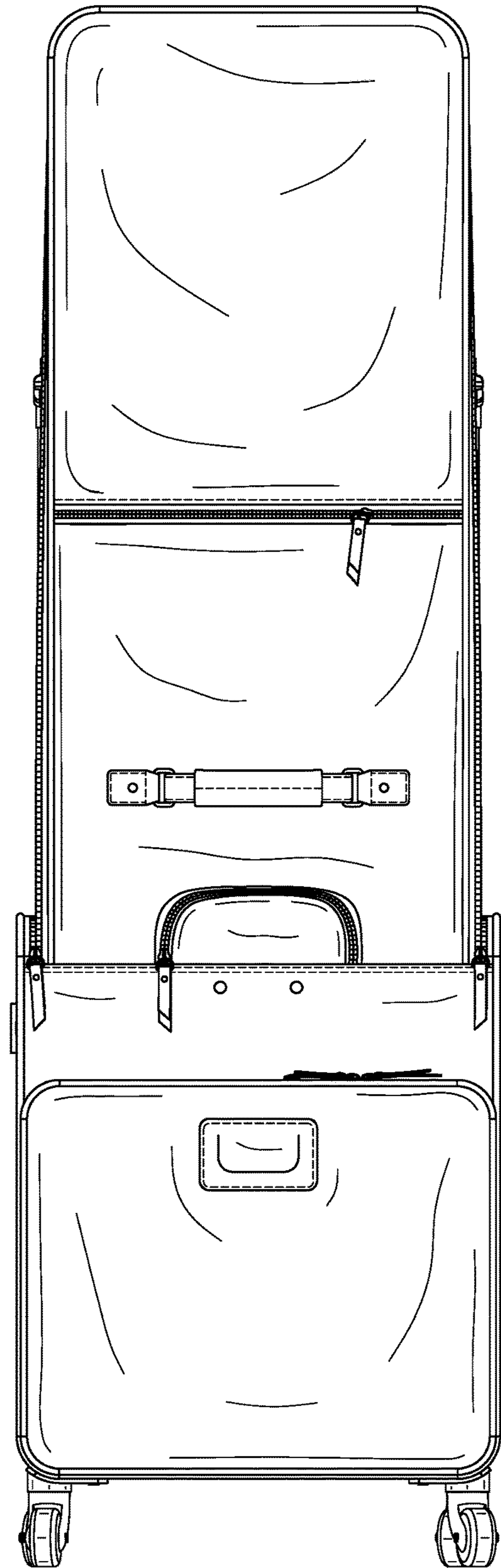


FIG. 9



FIG. 10

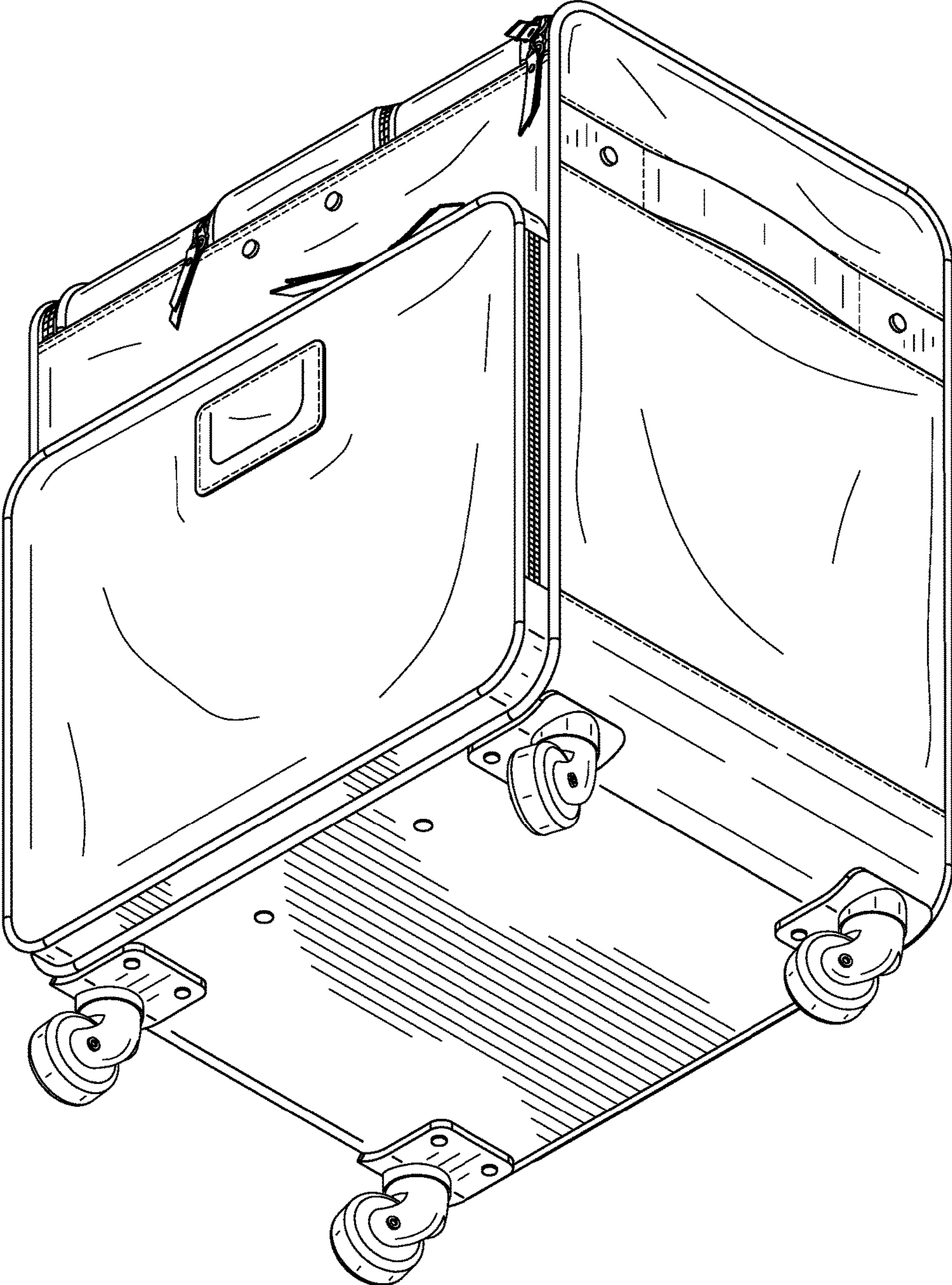


FIG. 11

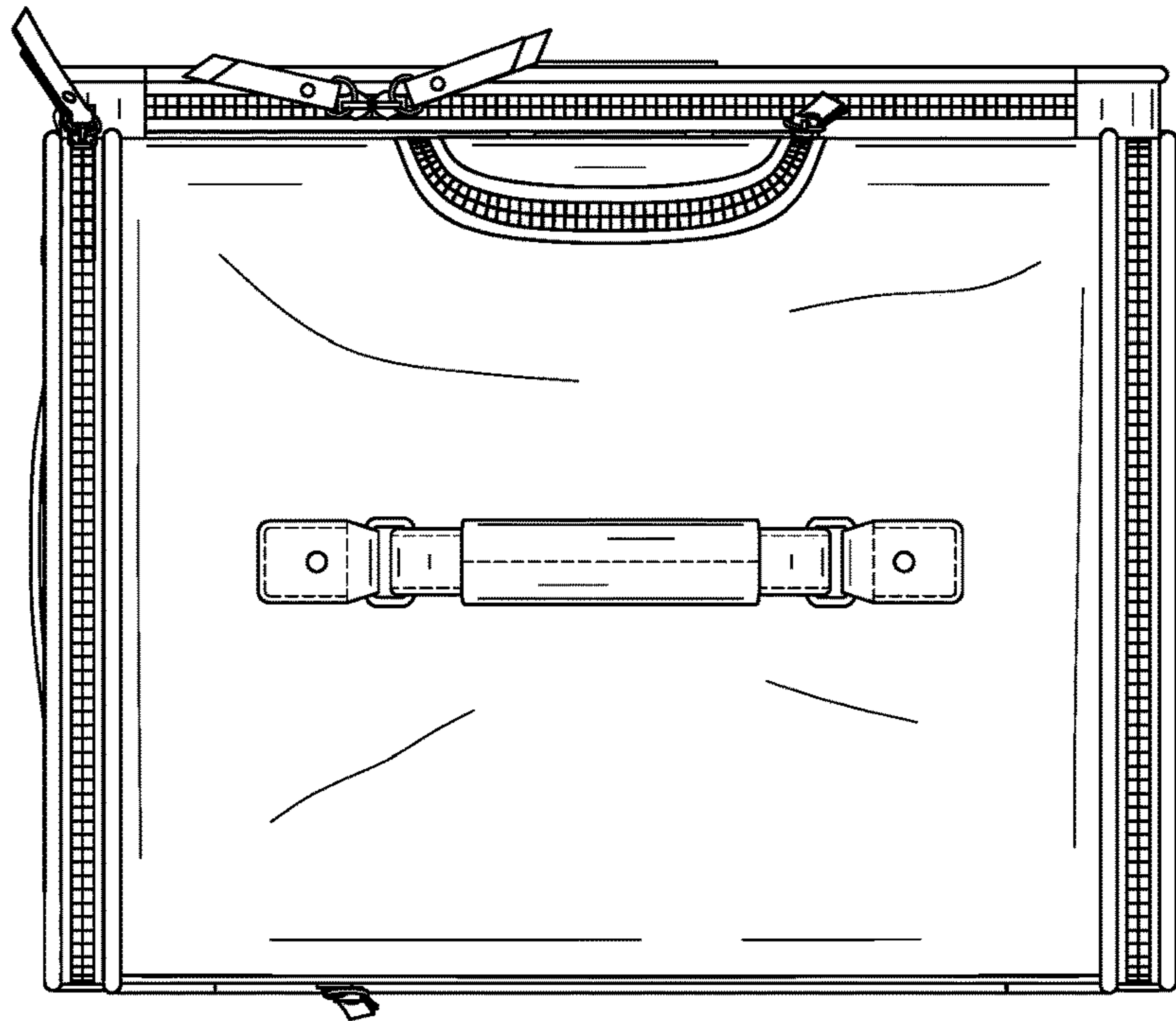


FIG. 12

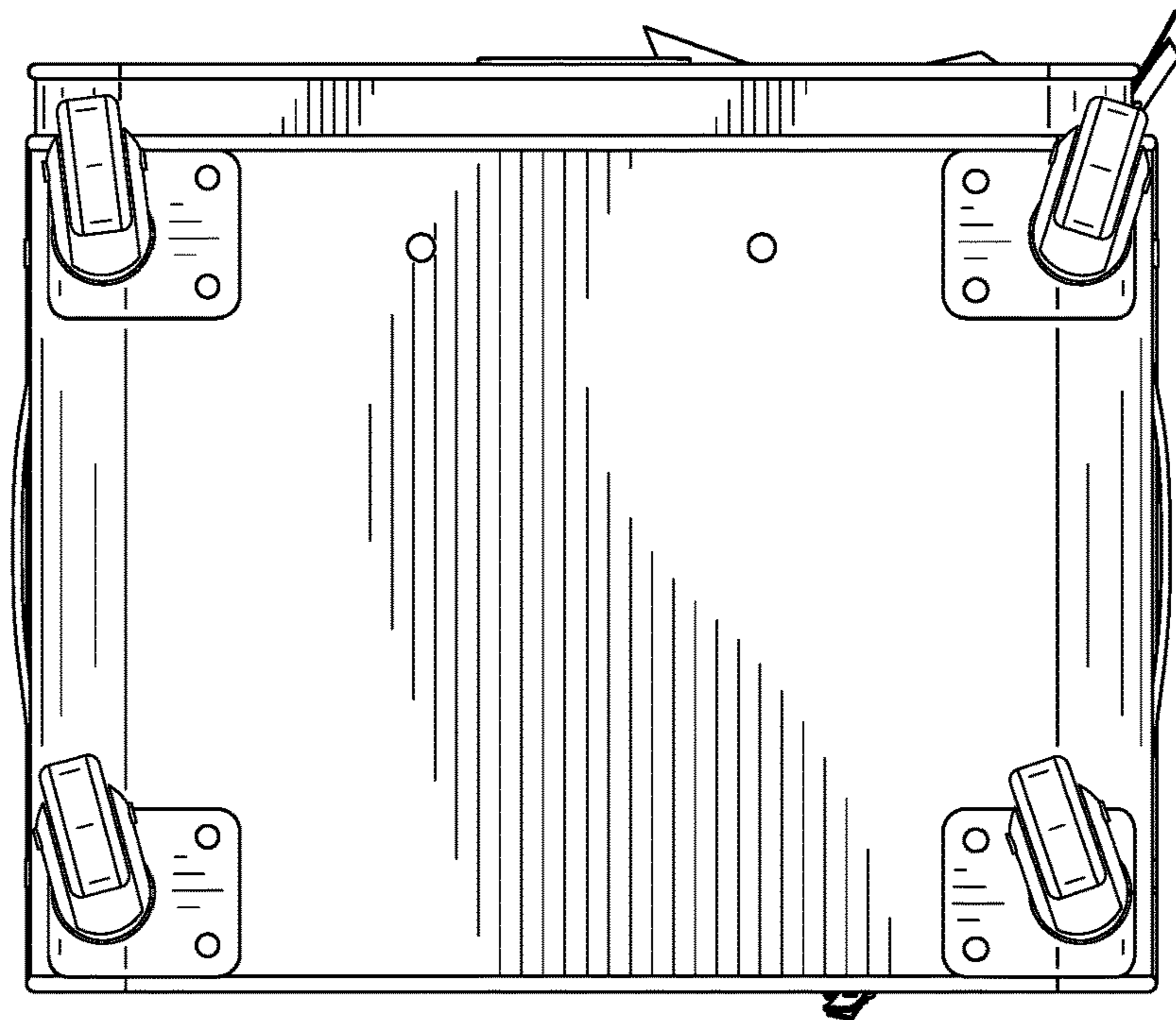


FIG. 13

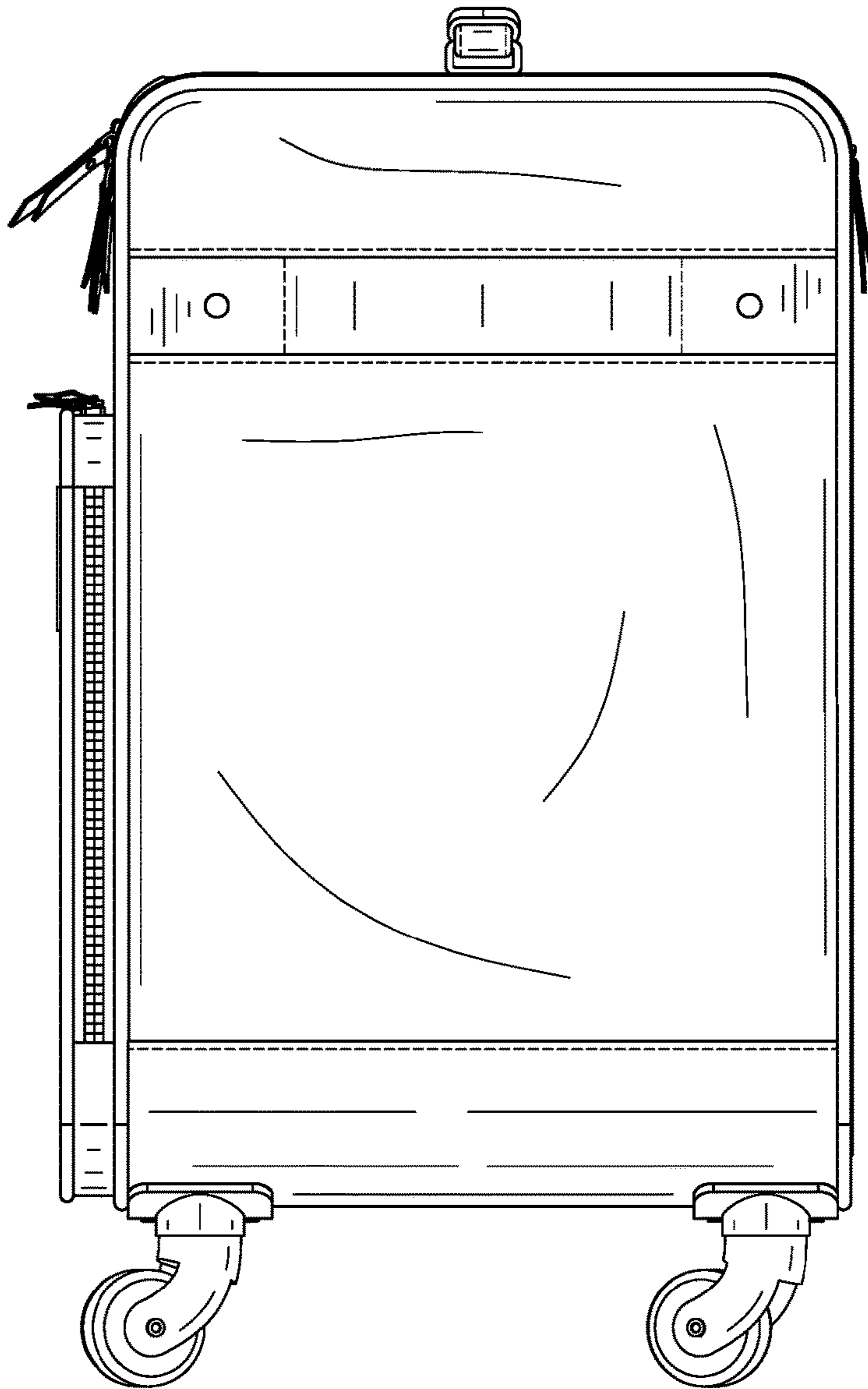


FIG. 14

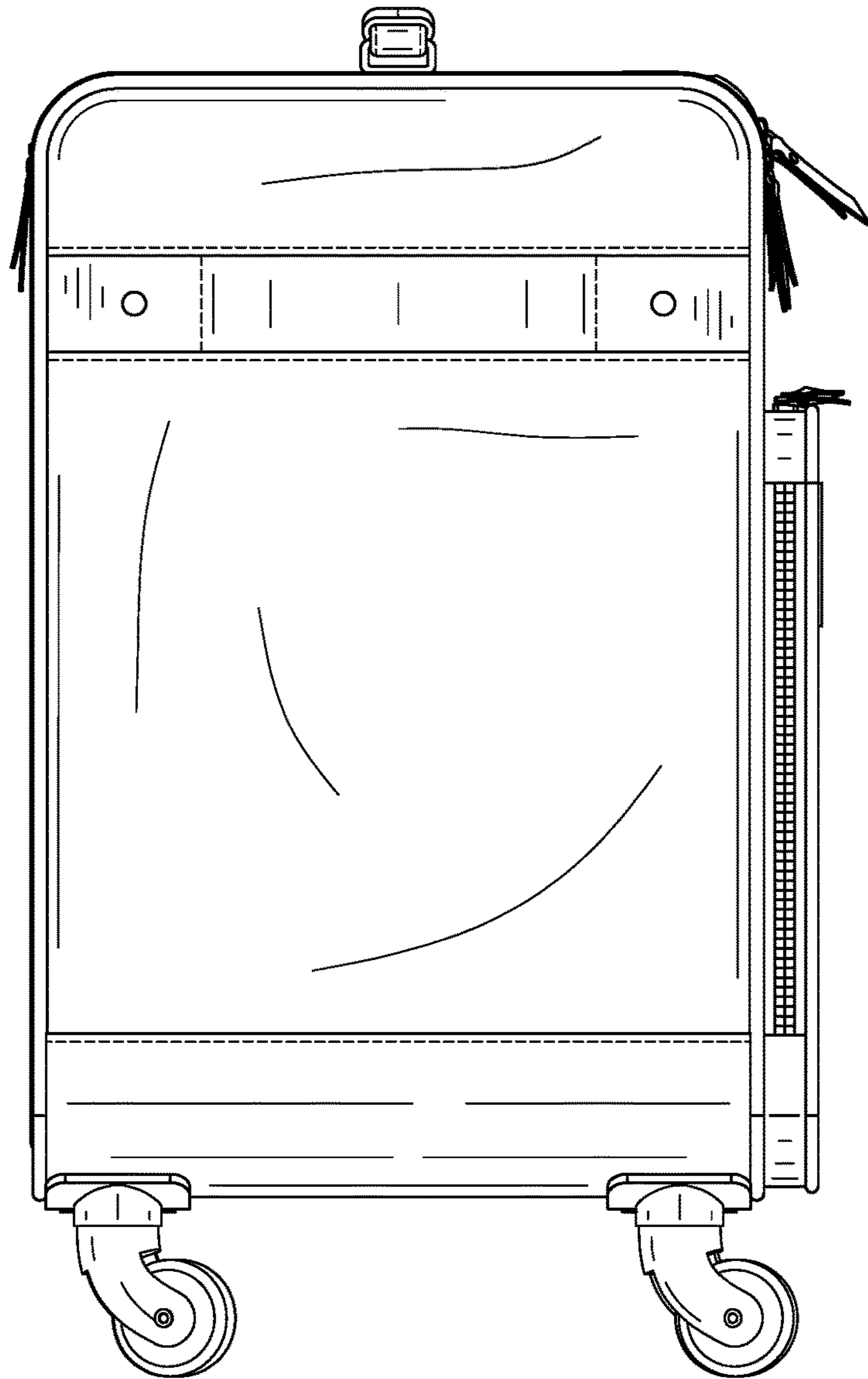


FIG. 15

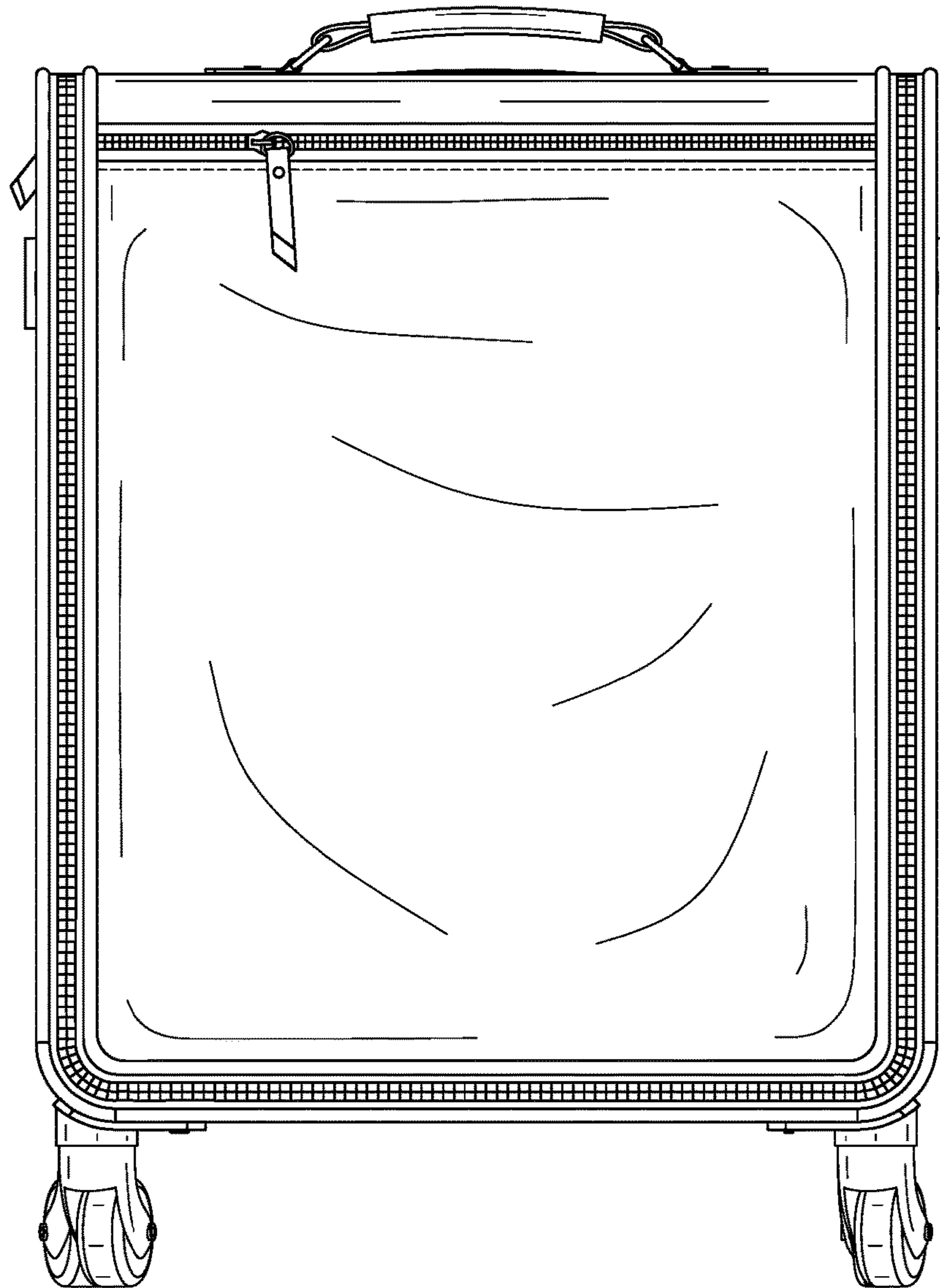


FIG. 16

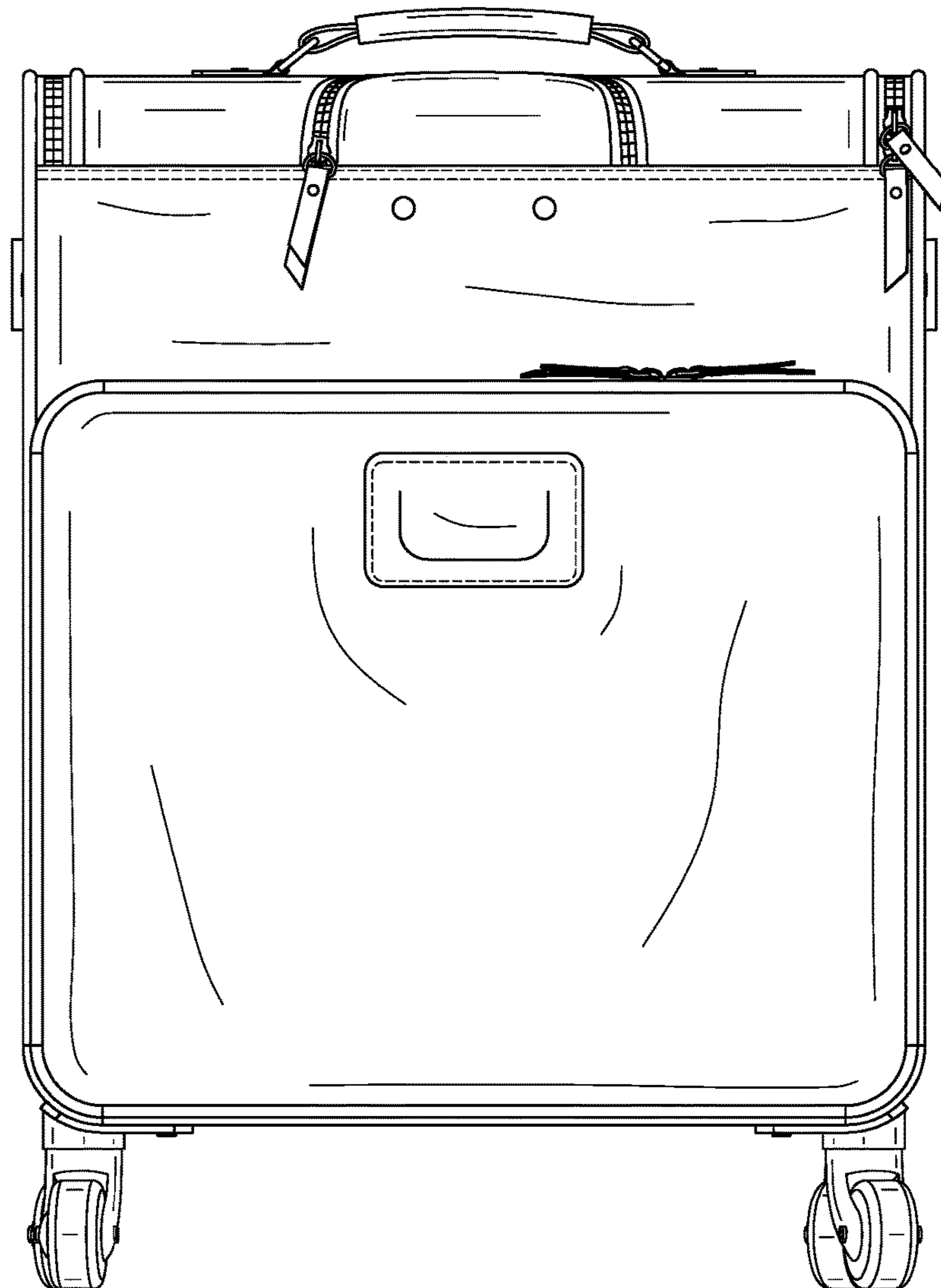


FIG. 17



FIG. 18

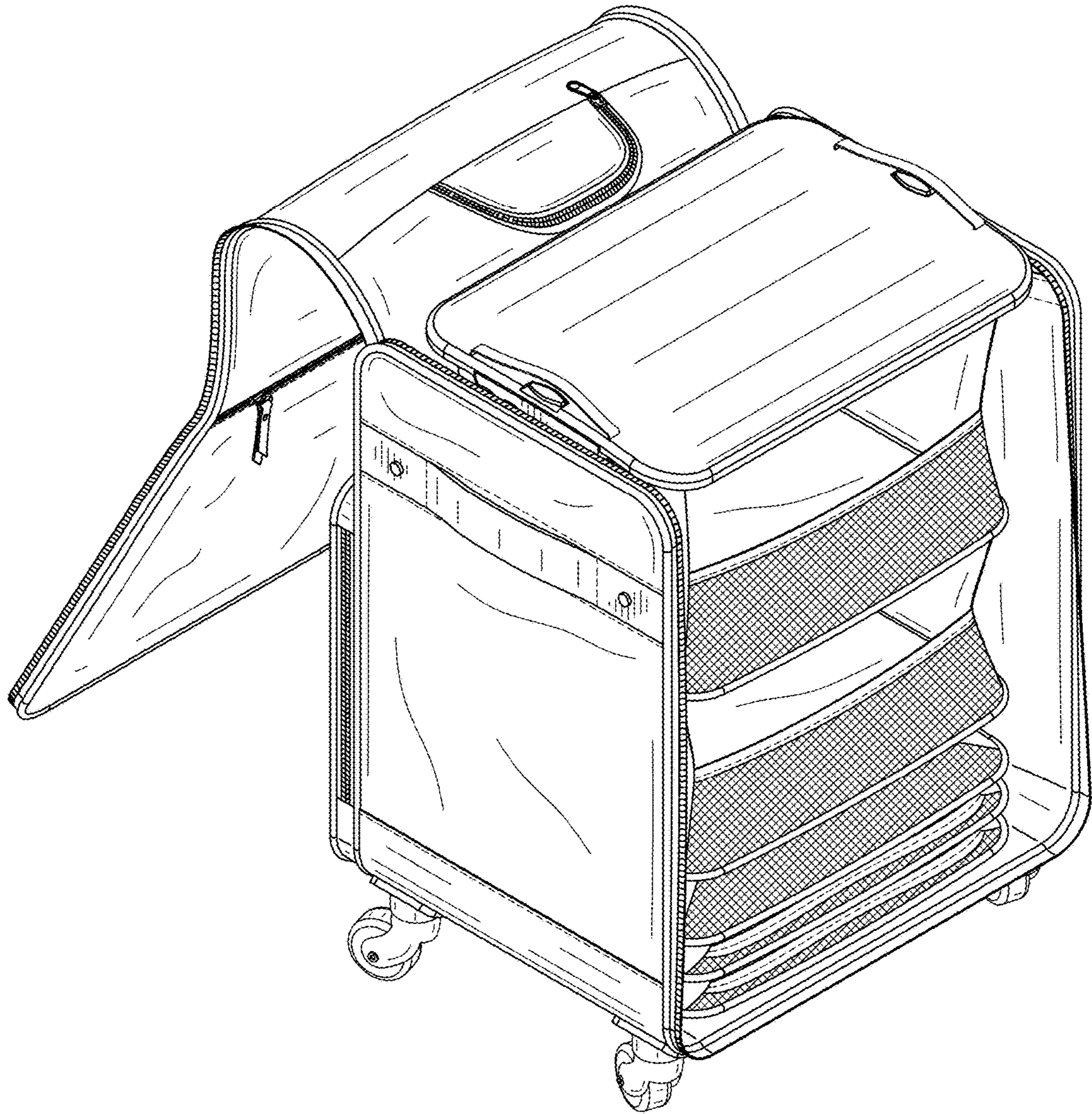


FIG. 19

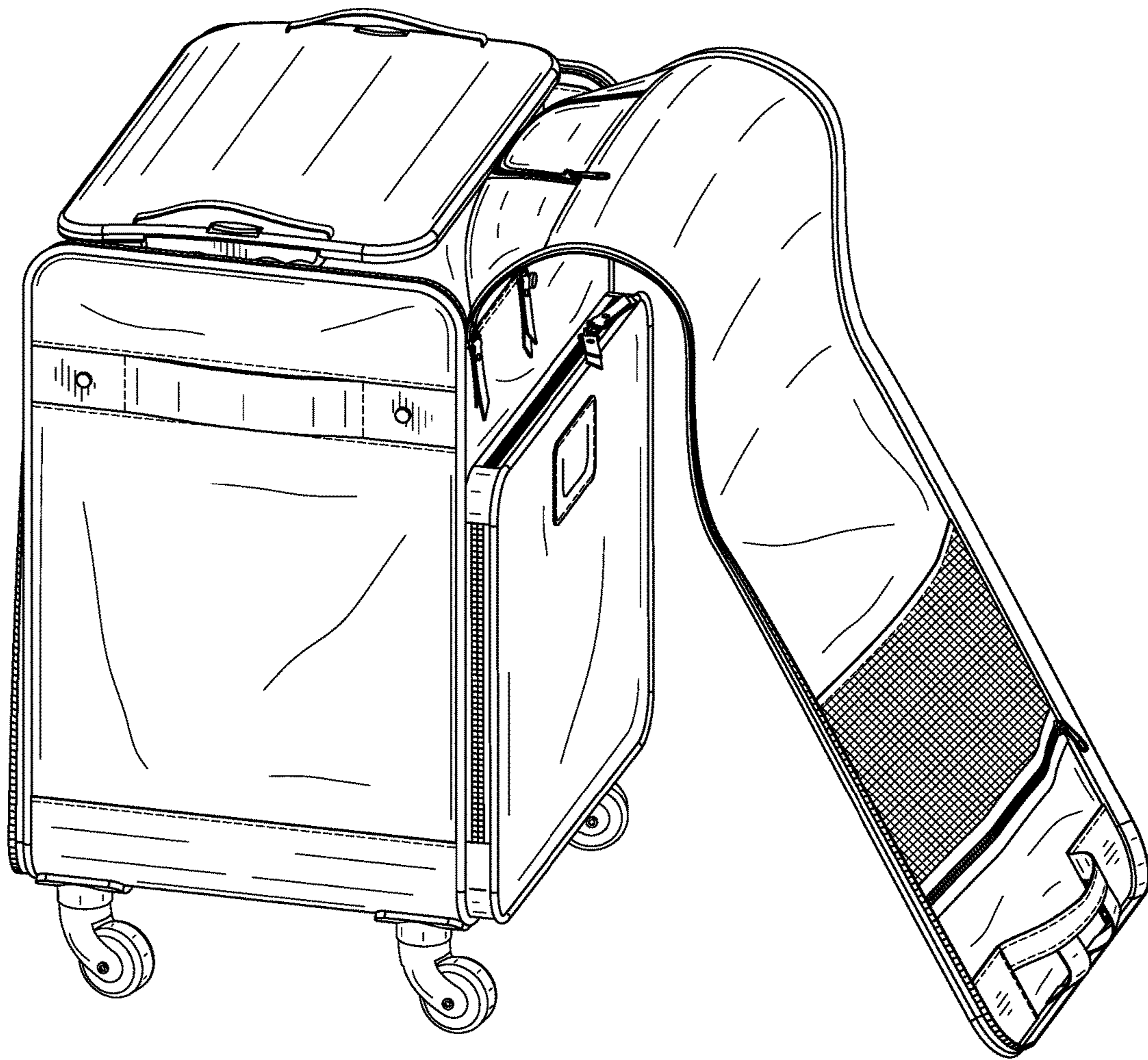


FIG. 20