

US00D830687S

(12) **United States Design Patent** (10) **Patent No.:** **US D830,687 S**
Sciacca (45) **Date of Patent:** **** Oct. 16, 2018**

(54) **FIREARM HOLSTER**

(71) Applicant: **Dominick Sciacca**, Tyron, NC (US)

(72) Inventor: **Dominick Sciacca**, Tyron, NC (US)

(**) Term: **15 Years**

(21) Appl. No.: **29/625,269**

(22) Filed: **Nov. 8, 2017**

(51) **LOC (11) Cl.** **03-01**

(52) **U.S. Cl.**
USPC **D3/222**

(58) **Field of Classification Search**

USPC D3/222-223; 224/183, 191-193,
224/238-239, 243-244, 587, 672,
224/911-912, 931, 901.4

CPC A45F 5/00; A45F 5/02; A45F 2003/003;
A45F 2200/0591; F41C 33/0209; F41C
33/0263; F41C 33/0236; F41C 33/0227

See application file for complete search history.

(56) **References Cited**

U.S. PATENT DOCUMENTS

3,731,858	A *	5/1973	Baker	F41C 33/0227 224/192
D236,891	S *	9/1975	Weissenburger	D3/222
D240,225	S *	6/1976	Baker	D3/222
4,398,655	A *	8/1983	Perry	F41C 33/0209 224/191
D392,458	S *	3/1998	Batts	D3/222

* cited by examiner

Primary Examiner — Catherine R Oliver-Garcia

(74) *Attorney, Agent, or Firm* — The Van Winkle Law Firm; William G. Heedy; David M. Carter

(57) **CLAIM**

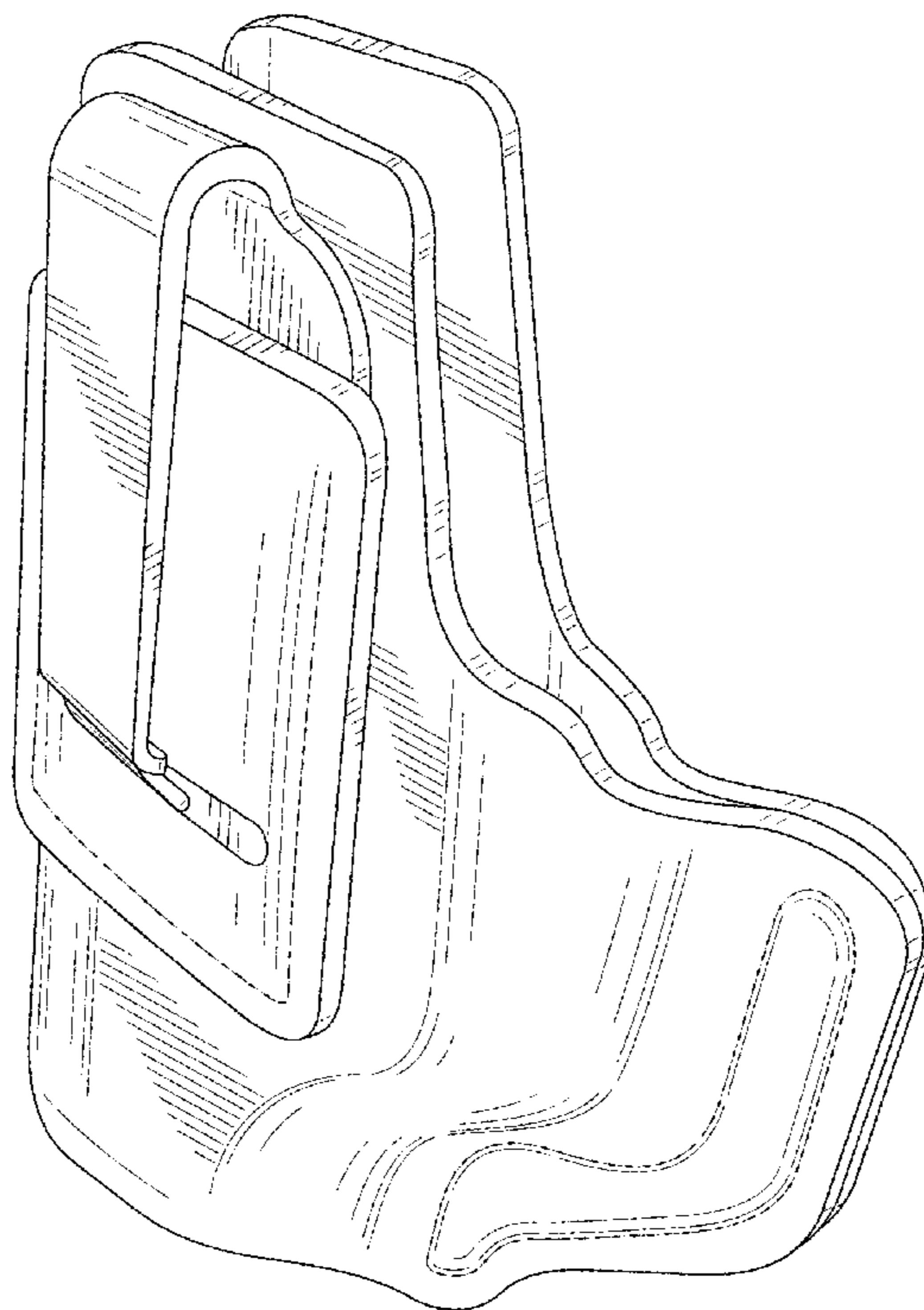
The ornamental design for a firearm holster, as shown and described.

DESCRIPTION

FIG. 1 is a perspective view of a firearm holster design;
 FIG. 2 is a left side elevational view thereof;
 FIG. 3 is a right side elevational view thereof;
 FIG. 4 is a front elevational view thereof;
 FIG. 5 is a rear elevational view thereof;
 FIG. 6 is a top plan view thereof;
 FIG. 7 is a bottom plan view thereof;
 FIG. 8 is a perspective view thereof and showing a firearm in broken lines;
 FIG. 9 is a cross sectional view of FIG. 6 along line 9-9 thereof; and,
 FIG. 10 is a cross sectional view of FIG. 6 along line 10-10 thereof.

In the drawings, the broken lines showing a firearm in FIG. 8 form no part of the claimed design.

1 Claim, 8 Drawing Sheets



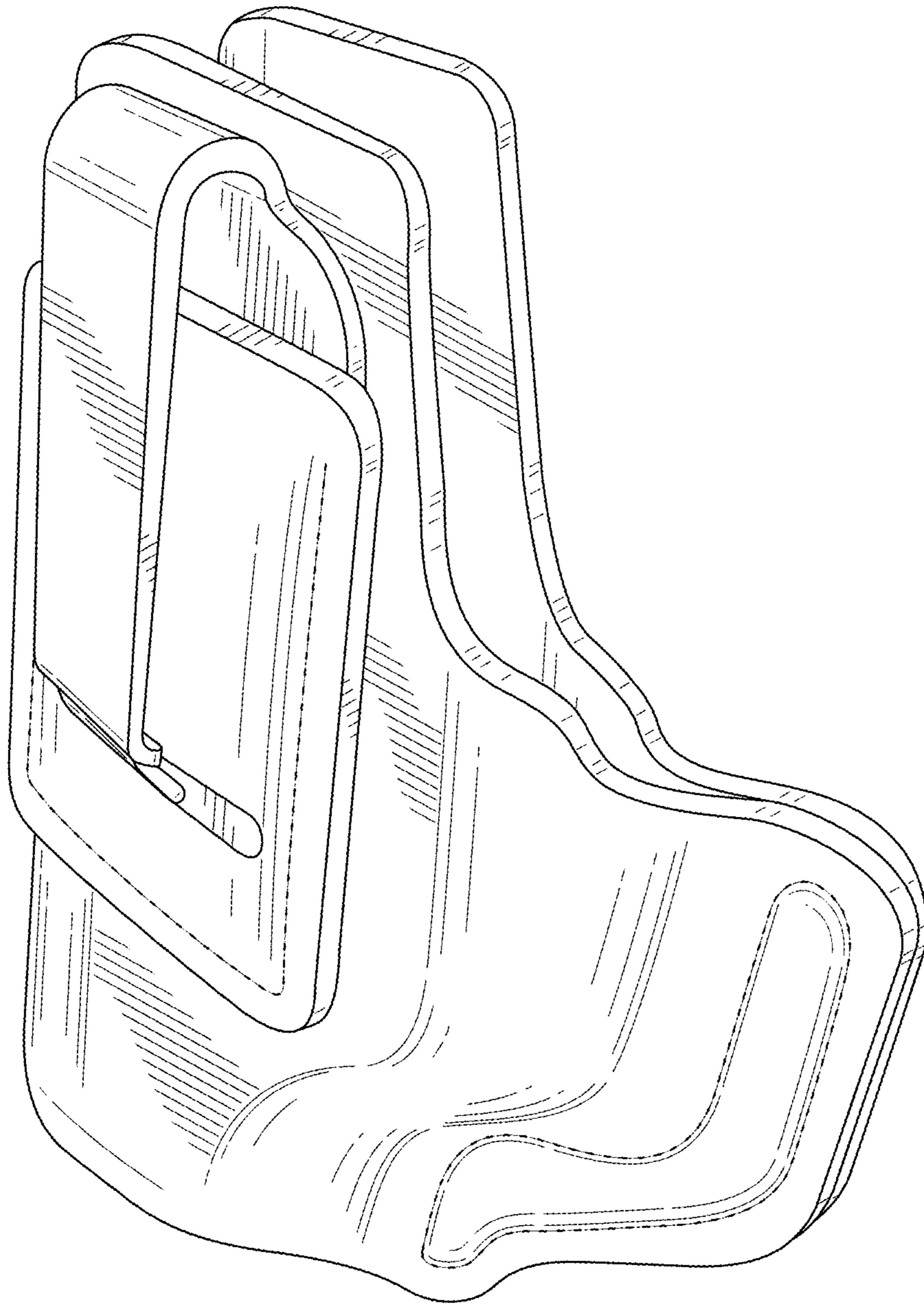


FIG. 1

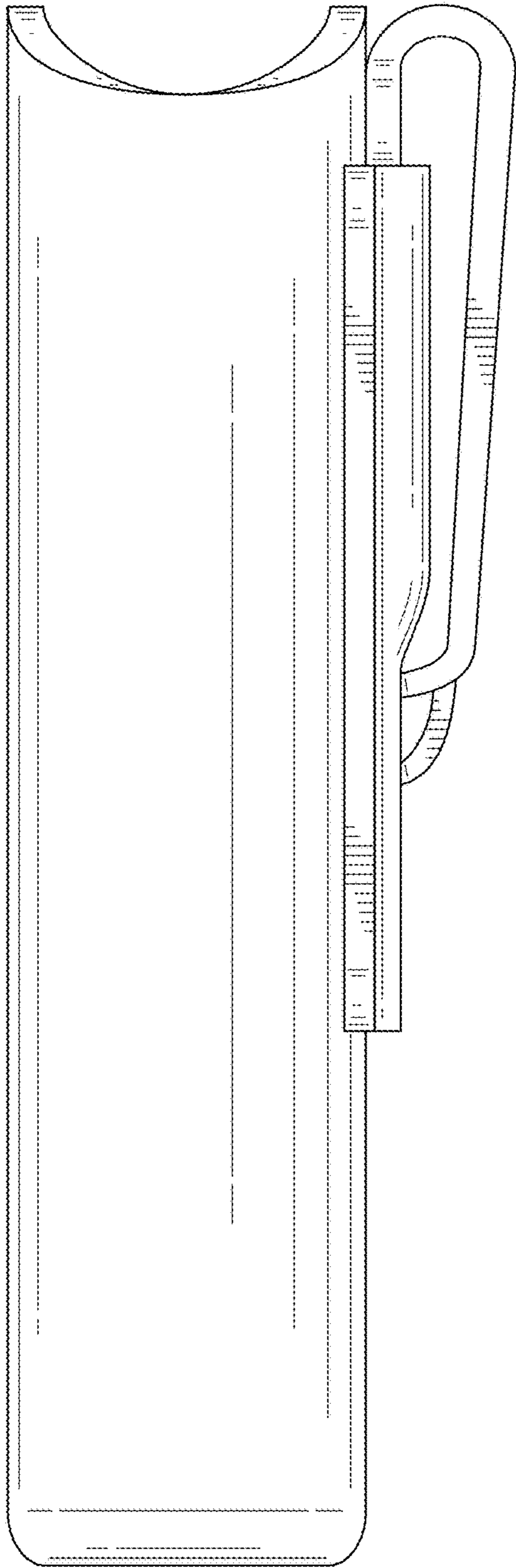


FIG. 2

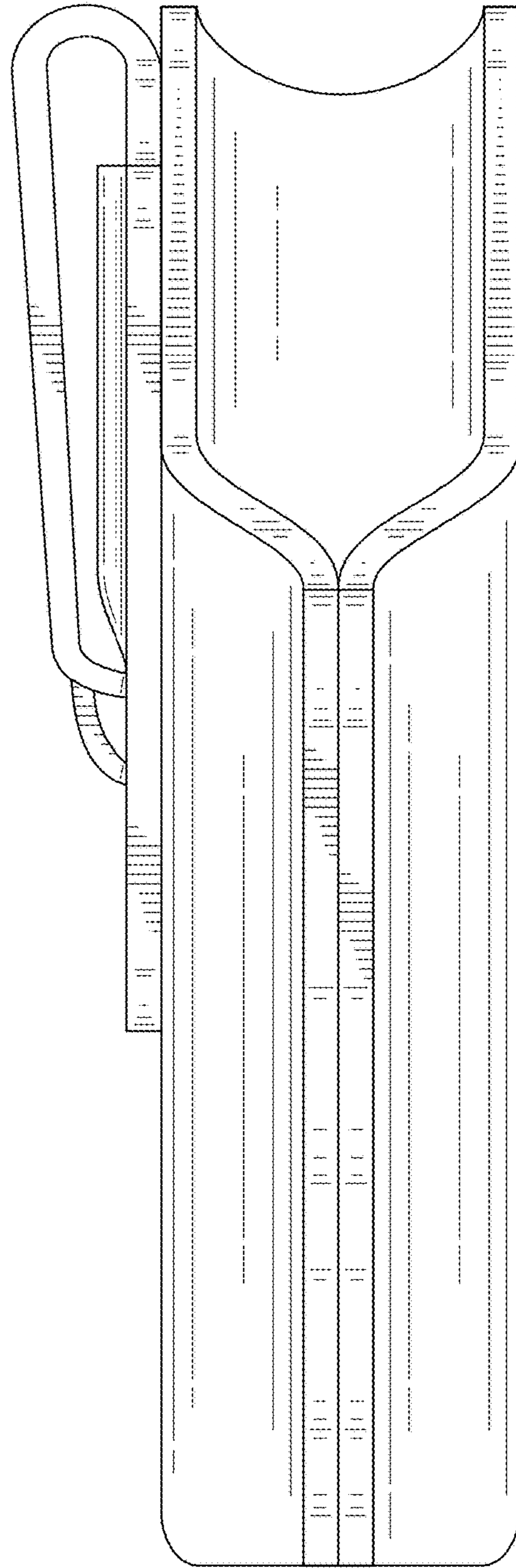


FIG. 3

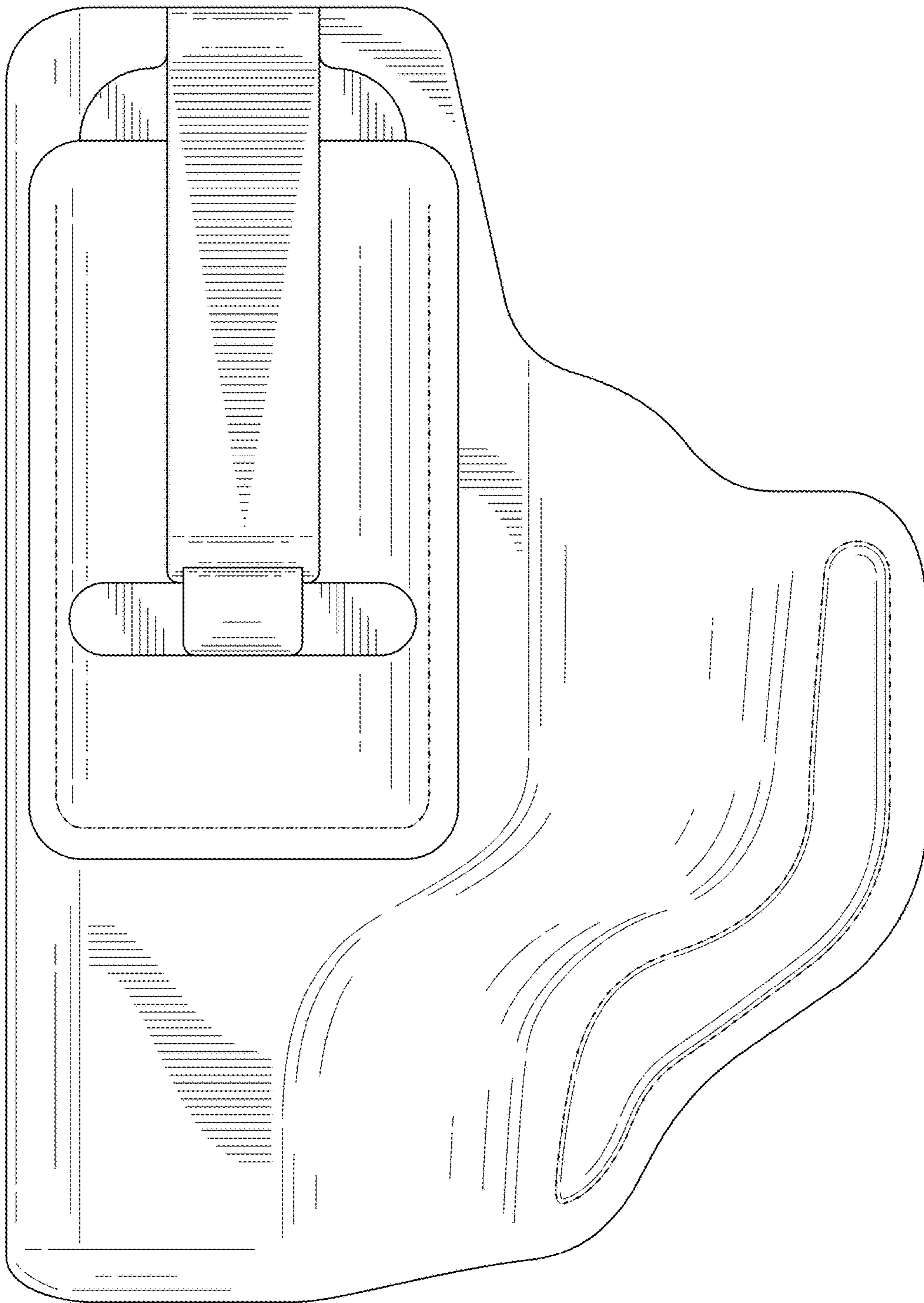


FIG. 4

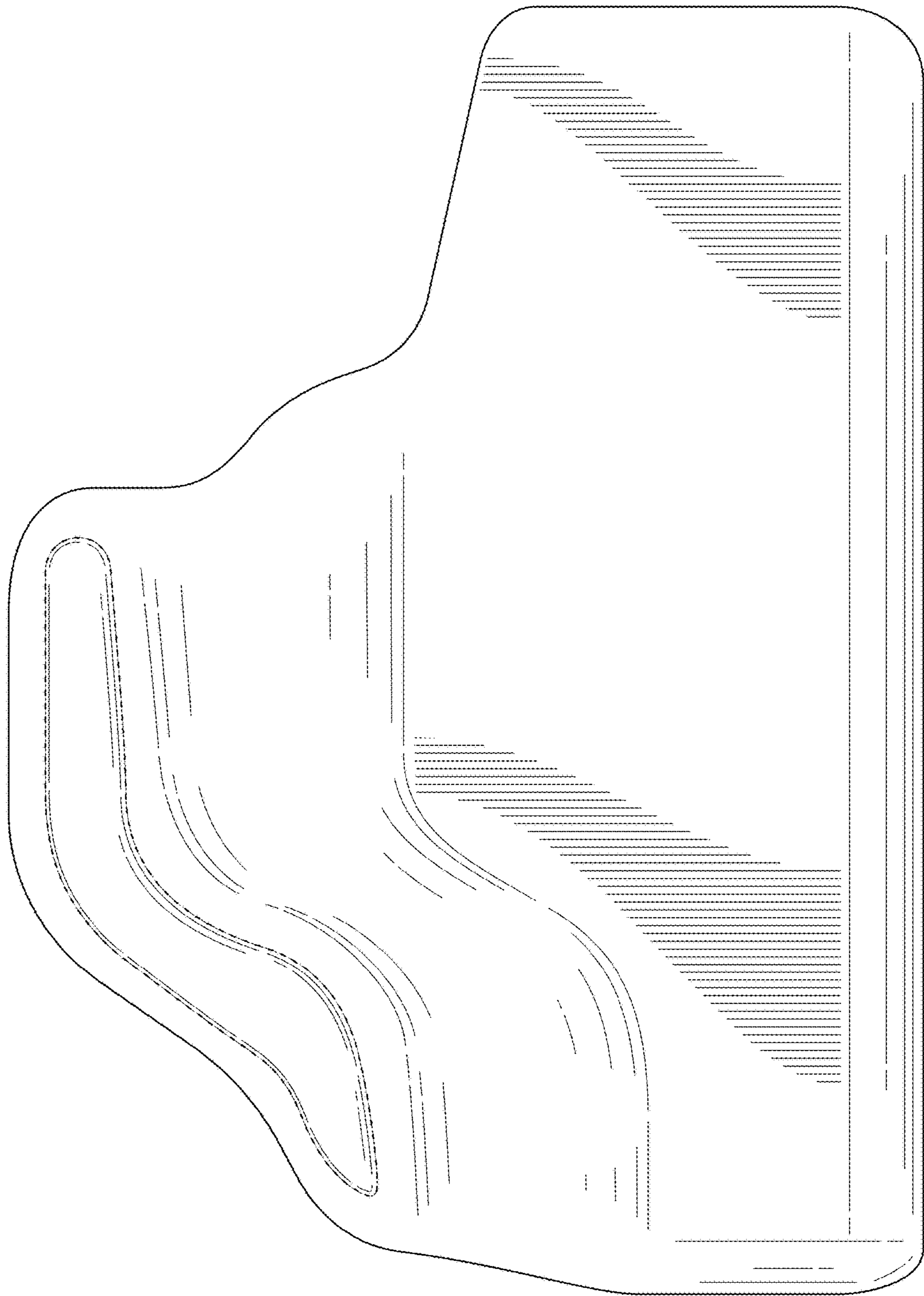


FIG. 5

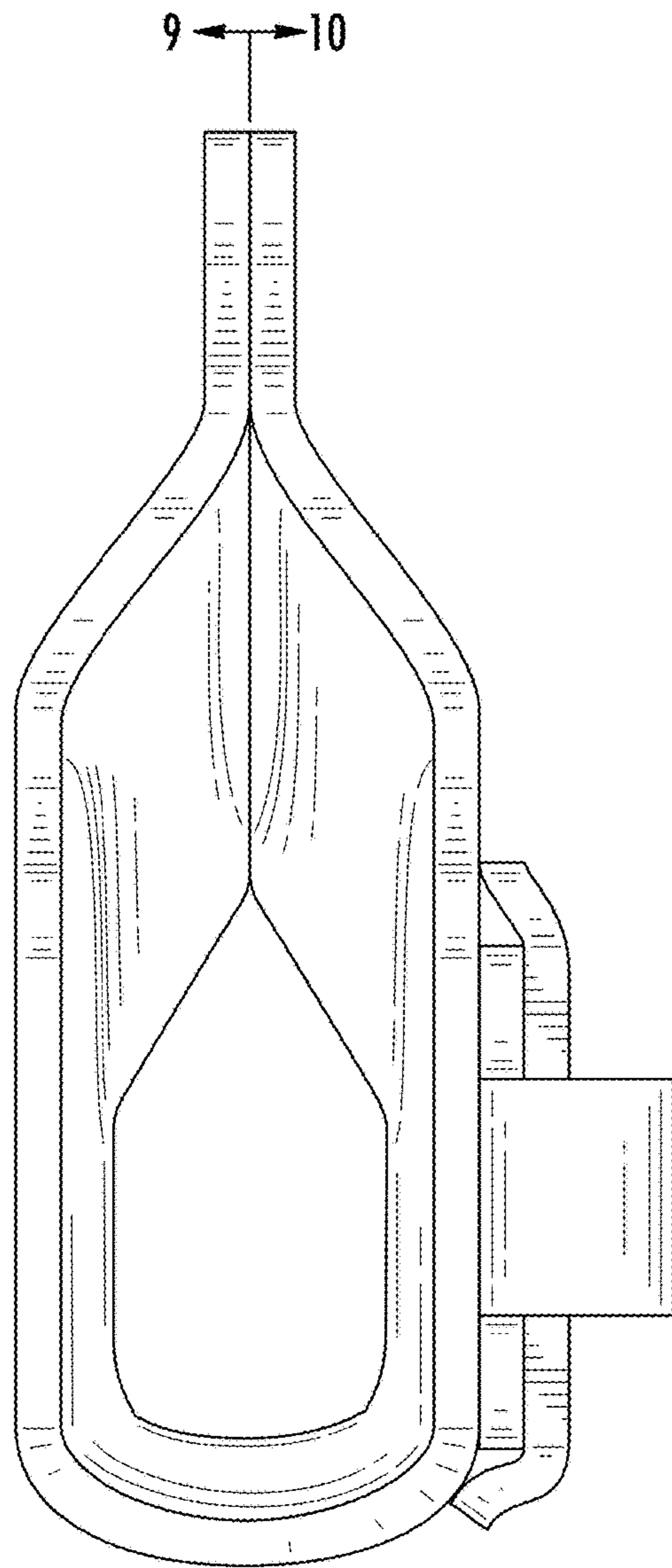


FIG. 6

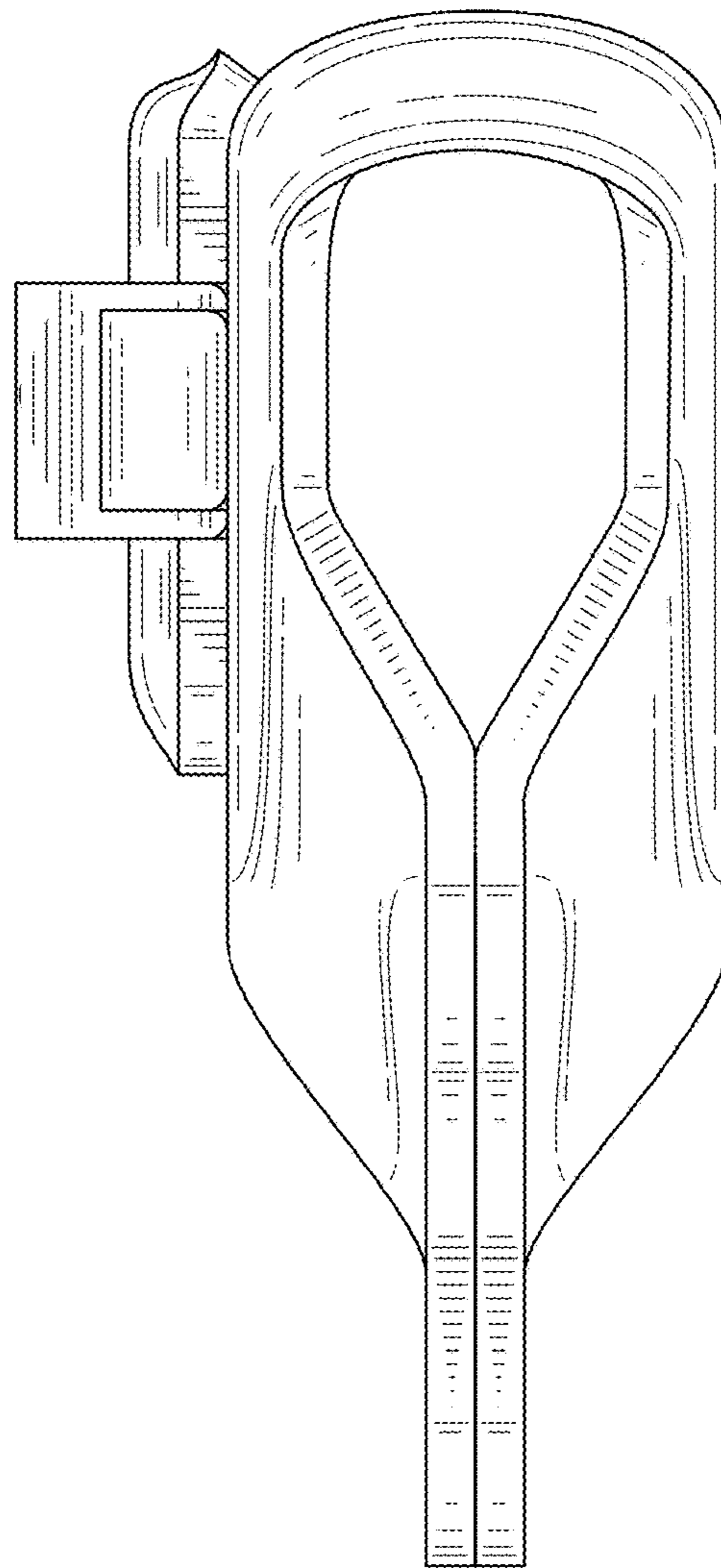


FIG. 7

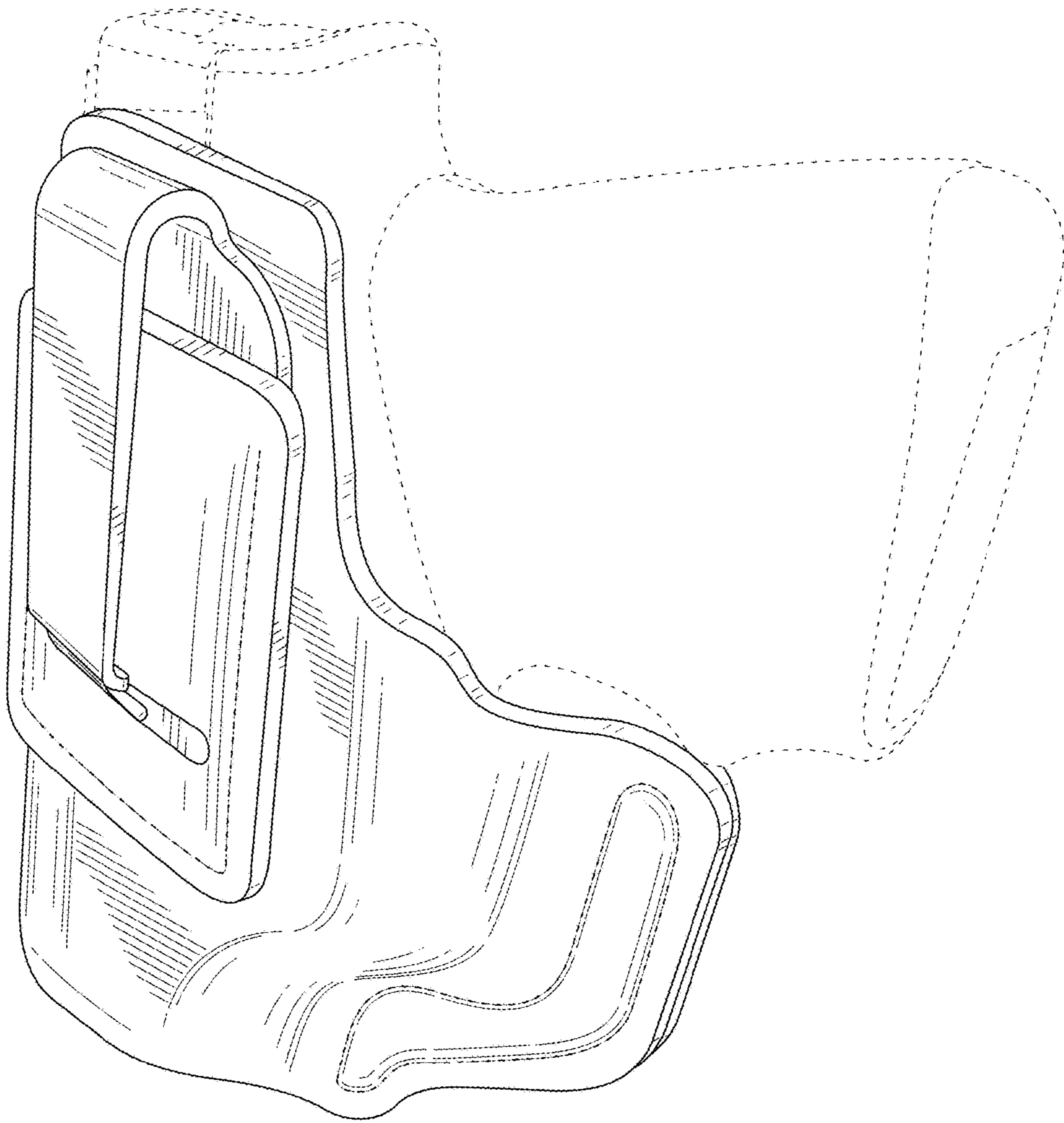


FIG. 8

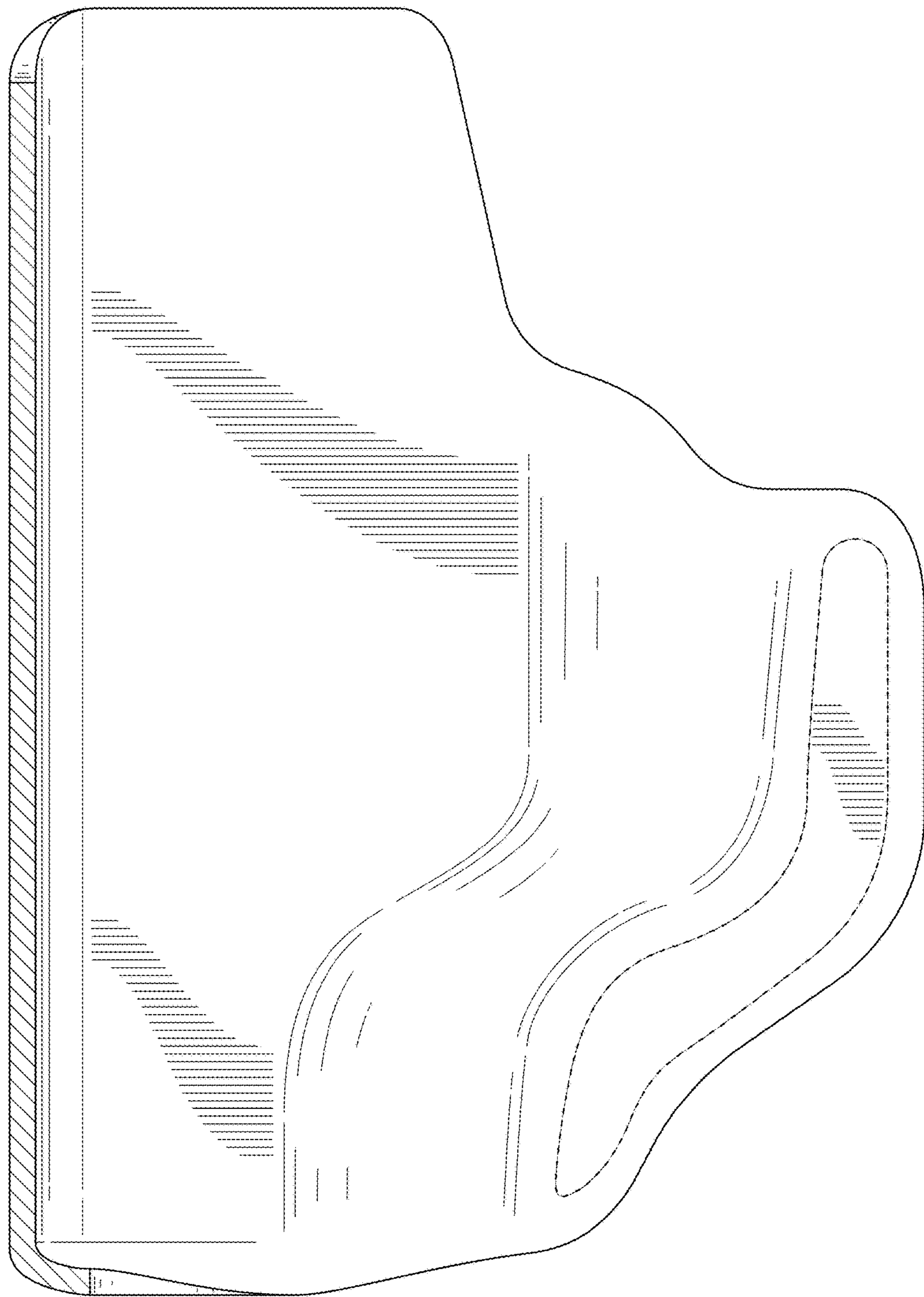


FIG. 9

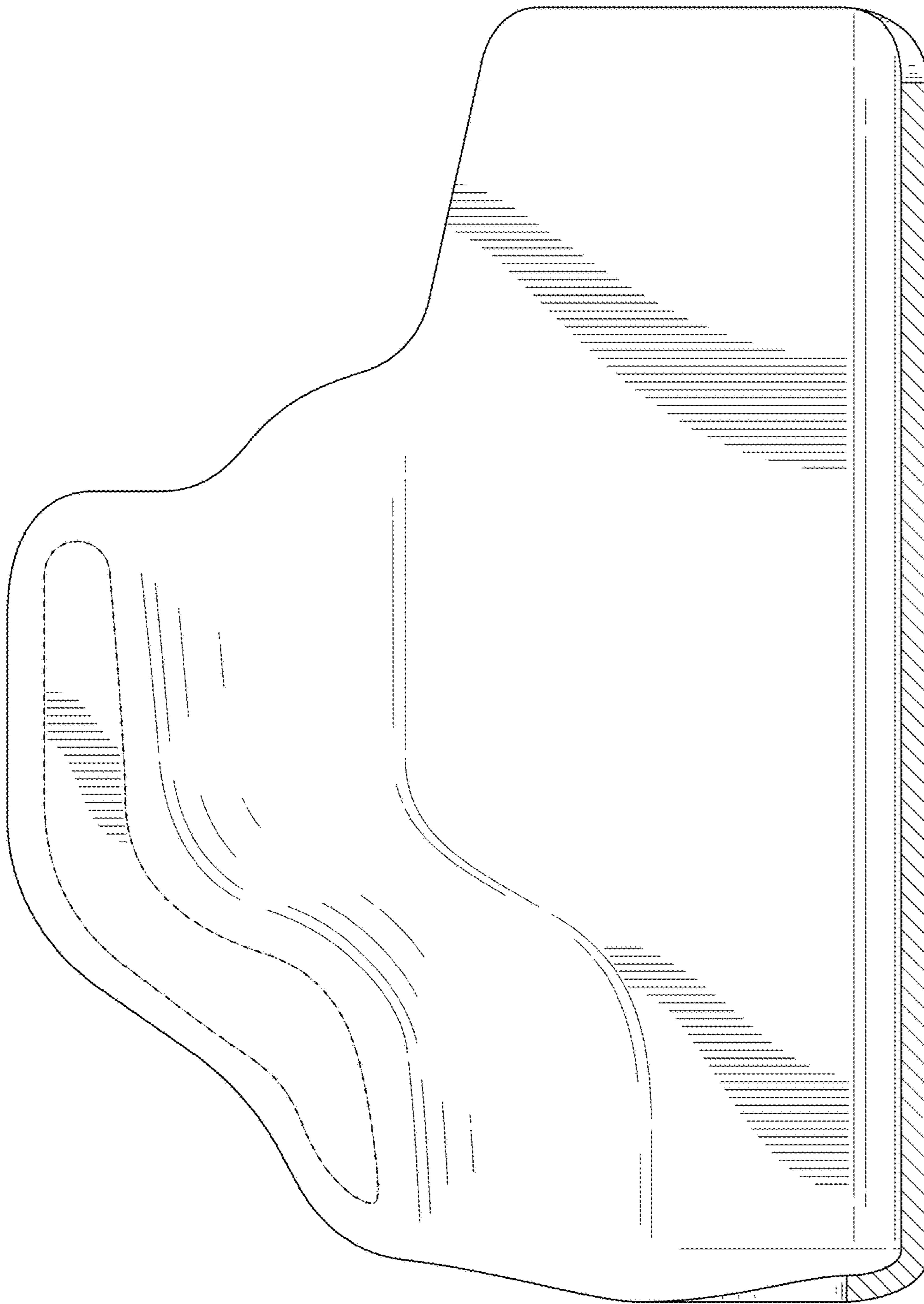


FIG. 10