



US00D830686S

(12) **United States Design Patent** (10) **Patent No.:** **US D830,686 S**
Rogers (45) **Date of Patent:** **** Oct. 16, 2018**

(54) **DIAPER BAG**
(71) Applicant: **Elizabeth Rogers**, Rocklin, CA (US)
(72) Inventor: **Elizabeth Rogers**, Rocklin, CA (US)
(**) Term: **15 Years**
(21) Appl. No.: **29/592,381**
(22) Filed: **Jan. 30, 2017**
(51) **LOC (11) Cl.** **03-01**
(52) **U.S. Cl.**
USPC **D3/217; D3/287**
(58) **Field of Classification Search**
USPC D3/203.1, 215, 217, 226, 233, 232, 273,
D3/274, 276, 283, 285, 289, 304, 305,
D3/902
CPC B65D 21/084; A45C 7/009; A45C 7/0036;
A45C 7/0081; A45C 2003/008; A45C
3/00; A45C 5/005
See application file for complete search history.

(56) **References Cited**
U.S. PATENT DOCUMENTS
D401,062 S * 11/1998 Hauschild D3/283
D402,804 S * 12/1998 Ramirez D3/217
6,213,304 B1 * 4/2001 Juliussen A45C 3/00
206/581
6,241,090 B1 * 6/2001 Kaplinsky A01K 97/06
206/315.11
D446,009 S * 8/2001 Mandell D3/216
6,298,993 B1 * 10/2001 Kalozdi A45C 3/00
150/106

D450,448 S * 11/2001 Pierce D3/216
6,390,260 B1 * 5/2002 Roegner A45C 3/00
190/1
D471,013 S * 3/2003 Peterson D3/254
D602,688 S * 10/2009 Smith D3/233
D637,809 S * 5/2011 Meldeau D3/232
D665,169 S * 8/2012 Filip D3/283
D690,502 S * 10/2013 Bergquist D3/216
D740,561 S * 10/2015 Mbi D3/283
D781,575 S * 3/2017 Etekoachay D3/217
2002/0096409 A1 * 7/2002 Roegner A45C 3/00
190/109
2015/0296939 A1 * 10/2015 Green A45C 13/02
383/38

* cited by examiner
Primary Examiner — Jennifer Rivard
Assistant Examiner — April Rivas
(74) *Attorney, Agent, or Firm* — Heisler & Associate

(57) **CLAIM**
The ornamental design for a diaper bag, as shown and described.

DESCRIPTION

FIG. 1 is a front perspective view of the diaper bag;
FIG. 2 is a front elevation view of the invention;
FIG. 3 is a left side view of the invention;
FIG. 4 is a rear elevation view of the invention;
FIG. 5 is a right side view of the invention;
FIG. 6 is a top plan view of the invention; and,
FIG. 7 is a bottom plan view of the invention.
The broken lines illustrate stitching and form part of the claimed design.
The broken line circular features in FIG. 7 illustrate portions of the diaper bag and form no part of the claimed design.

1 Claim, 7 Drawing Sheets

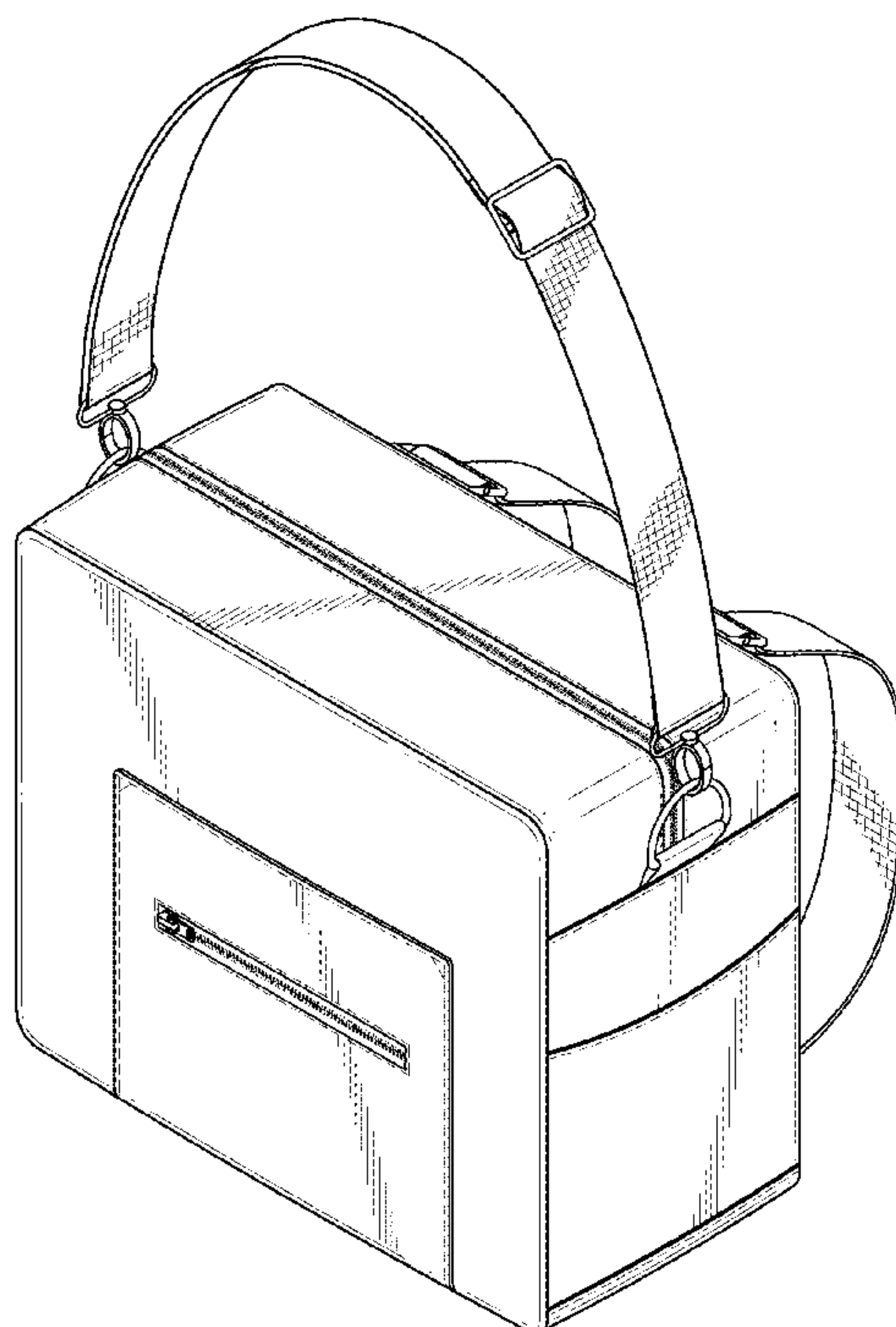


FIG. 1

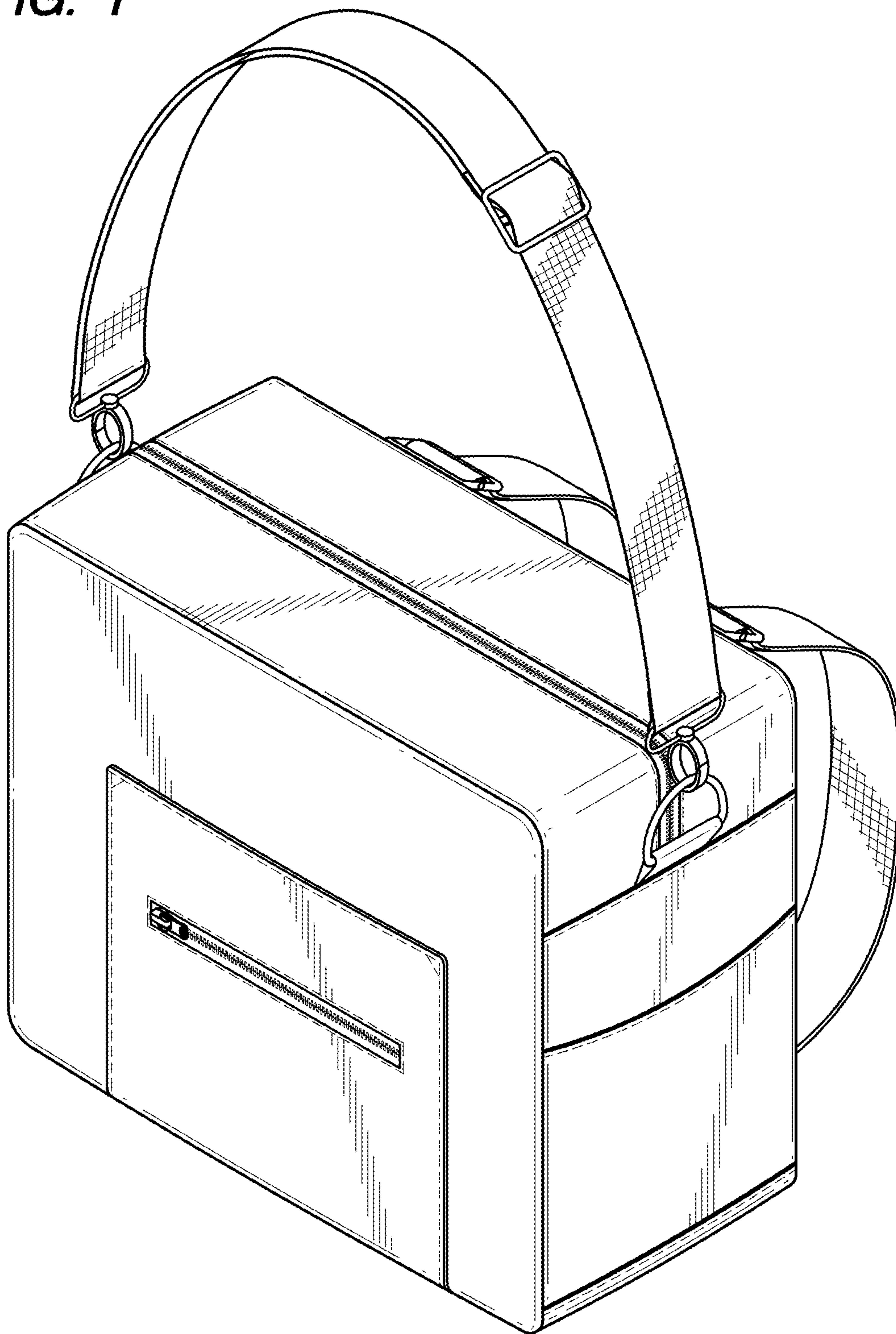


FIG. 2

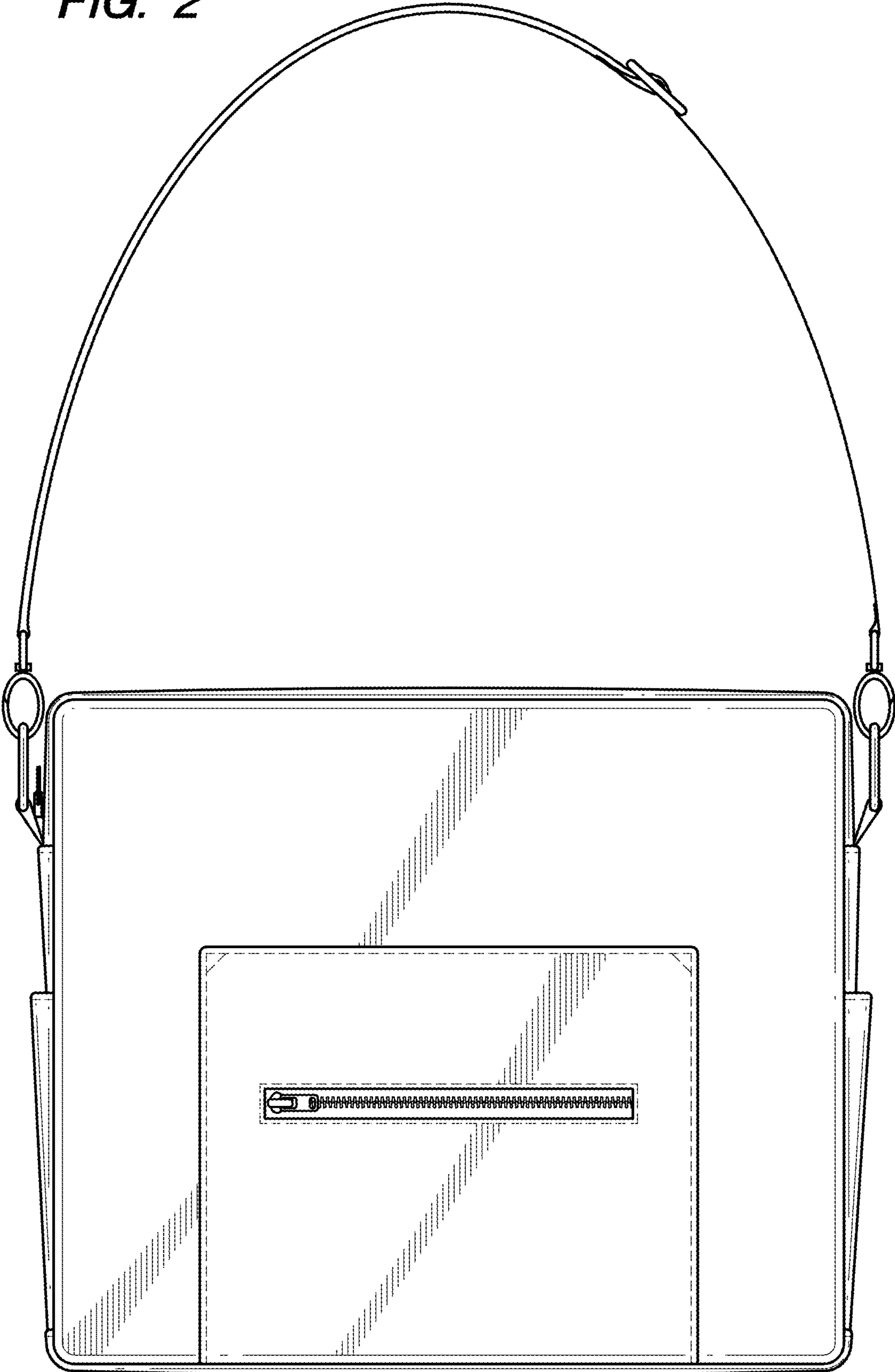


FIG. 3

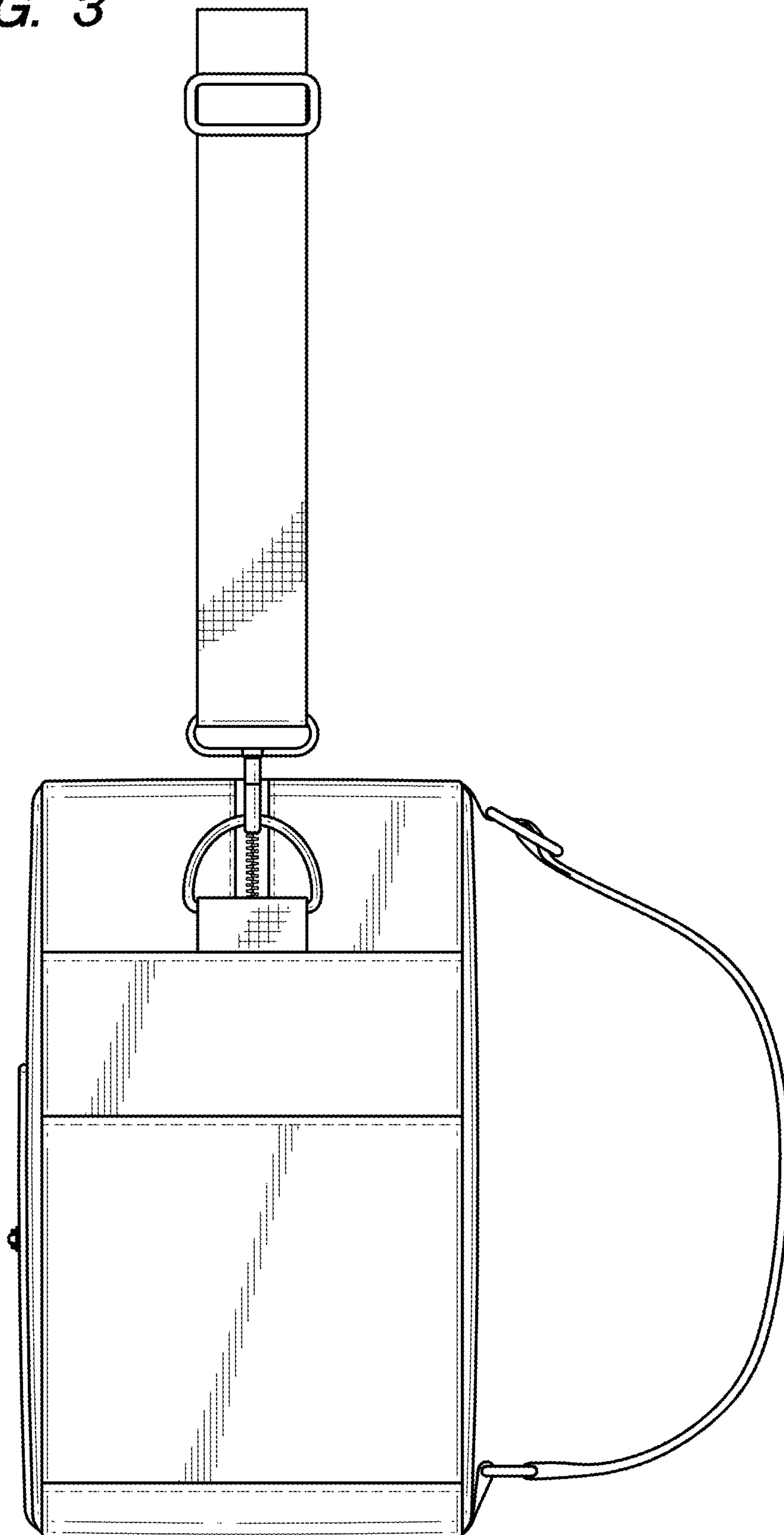


FIG. 4

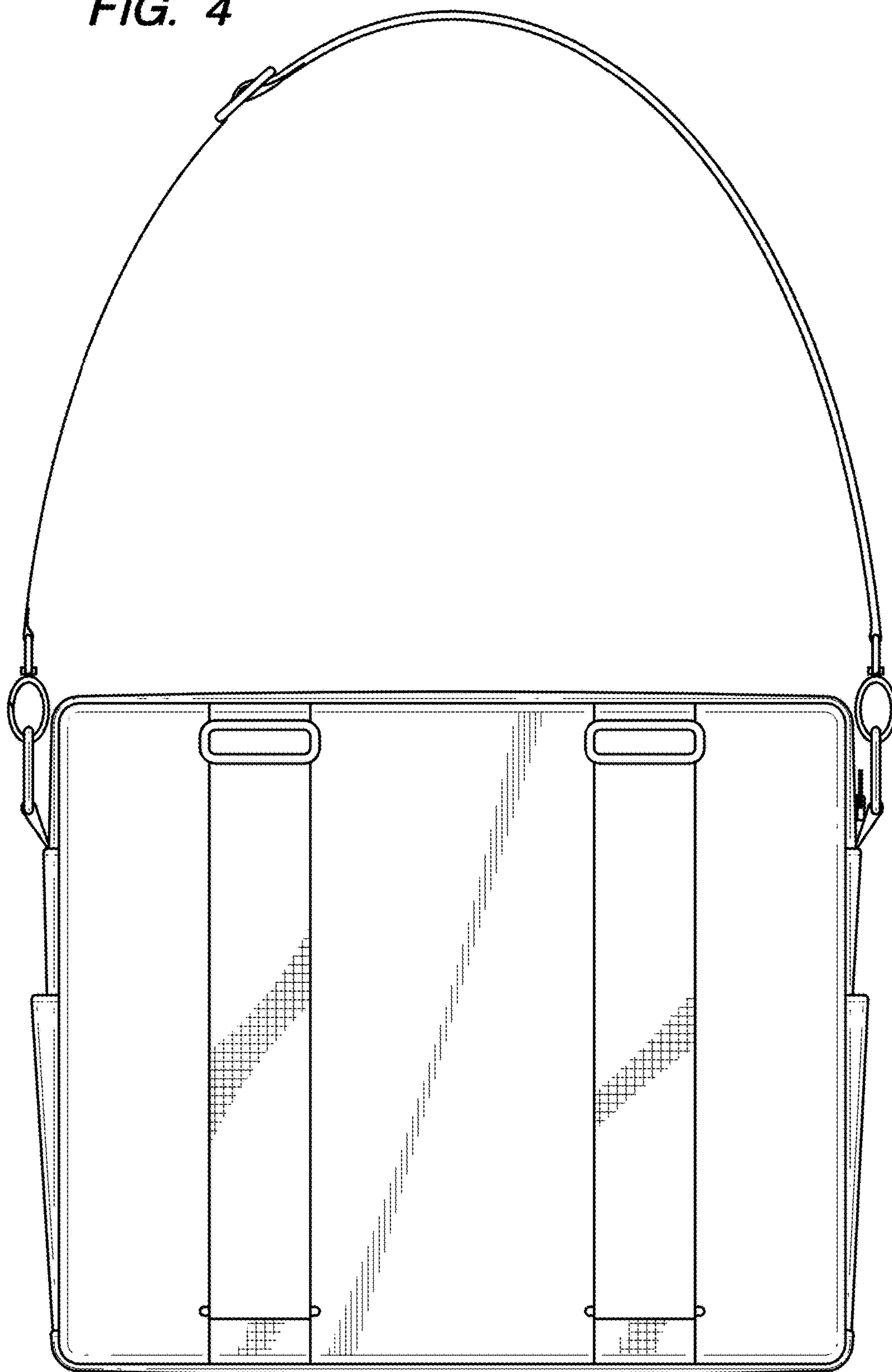


FIG. 5

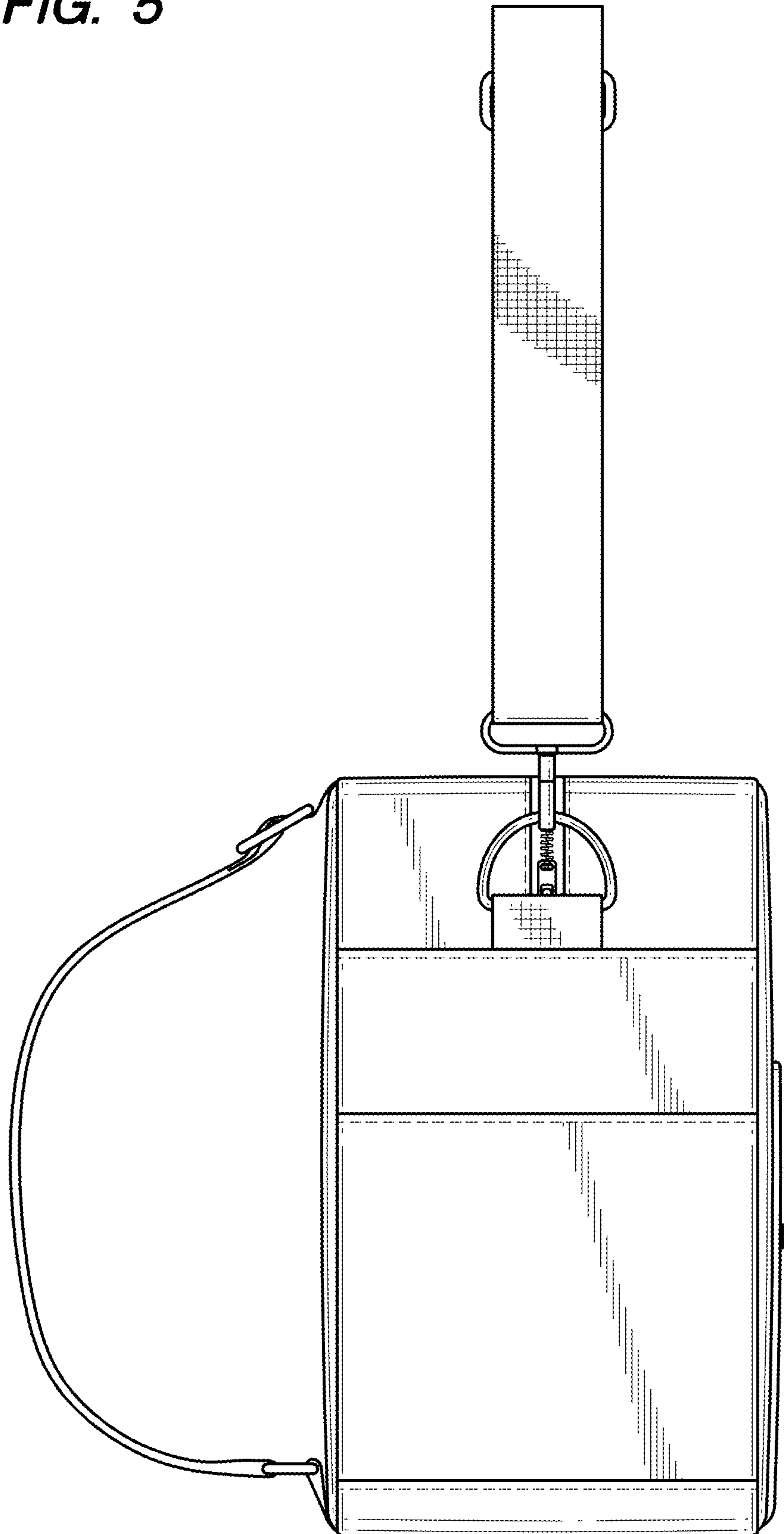


FIG. 6

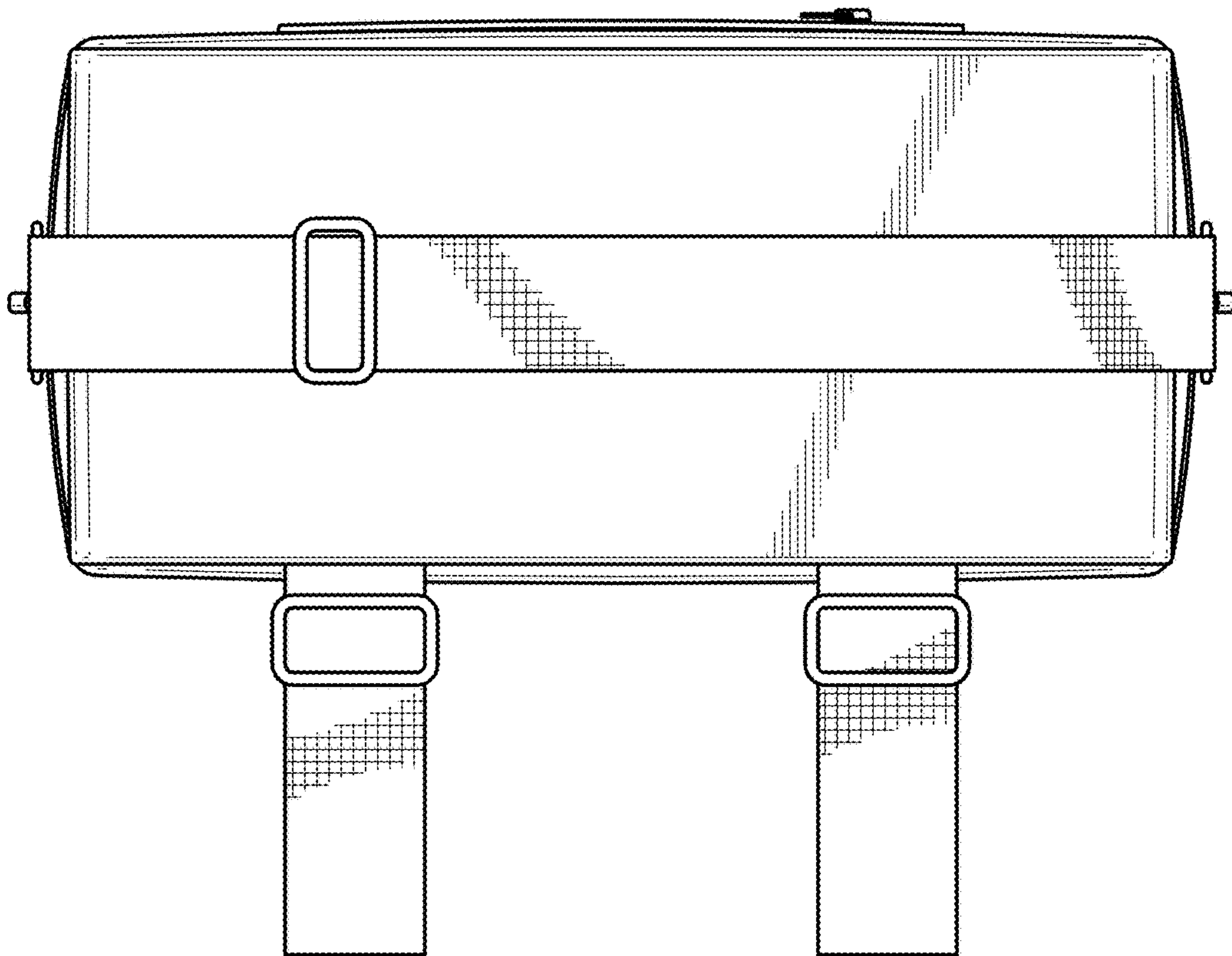


FIG. 7

