



US00D830685S

(12) **United States Design Patent** (10) **Patent No.:** **US D830,685 S**
Dumas (45) **Date of Patent:** **** Oct. 16, 2018**

(54) **KEY RING**
(71) Applicant: **HERMES SELLIER (SOCIÉTÉ PAR ACTIONS SIMPLIFIÉE)**, Paris (FR)

D438,373 S * 3/2001 Riley D3/207
D506,056 S * 6/2005 Burns D3/207
D527,166 S * 8/2006 Hoeksema D2/627
D793,075 S * 8/2017 Ma D3/207

* cited by examiner

(72) Inventor: **Pierre-Alexis Dumas**, Paris (FR)

Primary Examiner — Manpreet S Matharu
Assistant Examiner — Holly E Thurman

(**) Term: **15 Years**

(21) Appl. No.: **35/502,601**

(22) Filed: **Feb. 22, 2017**

(57) **CLAIM**

The ornamental design for a key ring, as shown and described.

(80) **Hague Agreement Data**

Int. Filing Date: **Feb. 22, 2017**
Int. Reg. No.: **DM/094939**
Int. Reg. Date: **Feb. 22, 2017**
Int. Reg. Pub. Date: **Mar. 10, 2017**

DESCRIPTION

(51) **LOC (11) Cl.** **03-01**

(52) **U.S. Cl.**
USPC **D3/207**

(58) **Field of Classification Search**
USPC D3/207–212; D11/1–2, 14, 26–29
CPC A45C 11/32; A47G 29/10
See application file for complete search history.

1. Key ring
FIG. 1.1 is a perspective view of the key ring showing my new design;
FIG. 1.2 is a front elevation al view of thereof;
FIG. 1.3 is a back elevational view thereof;
FIG. 1.4 is a right elevational view thereof;
FIG. 1.5 is a left elevational view thereof;
FIG. 1.6 is a top plan view thereof; and
FIG. 1.7 is a bottom plan view thereof.

The dashed lines in the Figures depicts stitching and is part of the claimed design. The dot-dashed lines shown in FIGS. 1.2 and 1.3 are depict unclaimed portions of the key ring and form no part of the claimed design.

(56) **References Cited**

U.S. PATENT DOCUMENTS

D242,395 S * 11/1976 Bellini D3/207
D437,995 S * 2/2001 Perthou D3/207

1 Claim, 7 Drawing Sheets

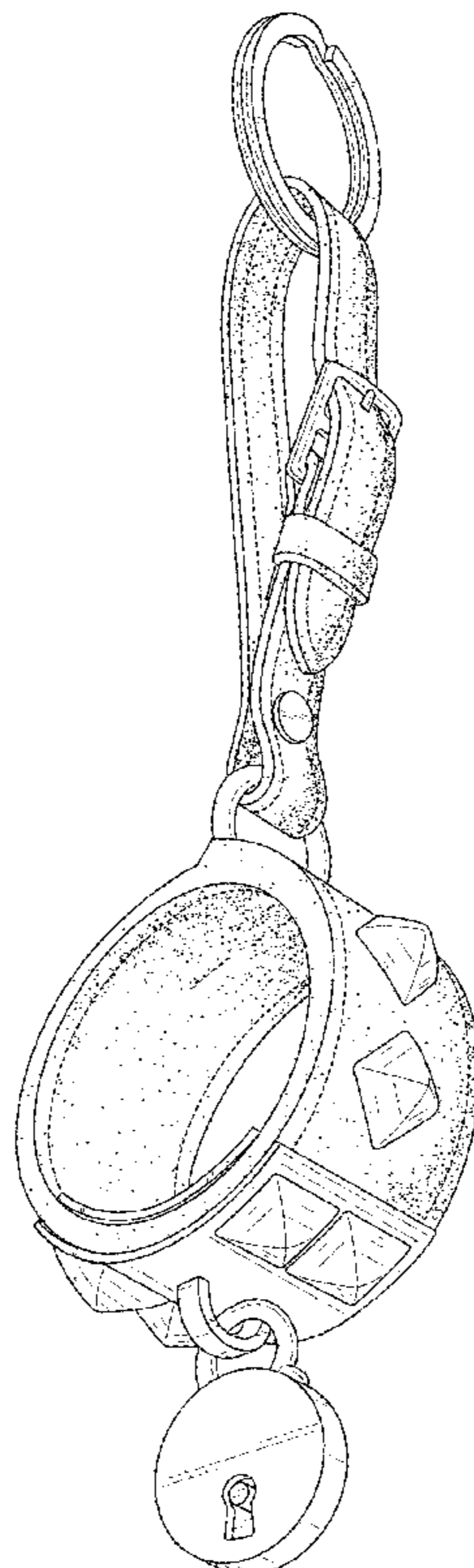


FIG. 1.1

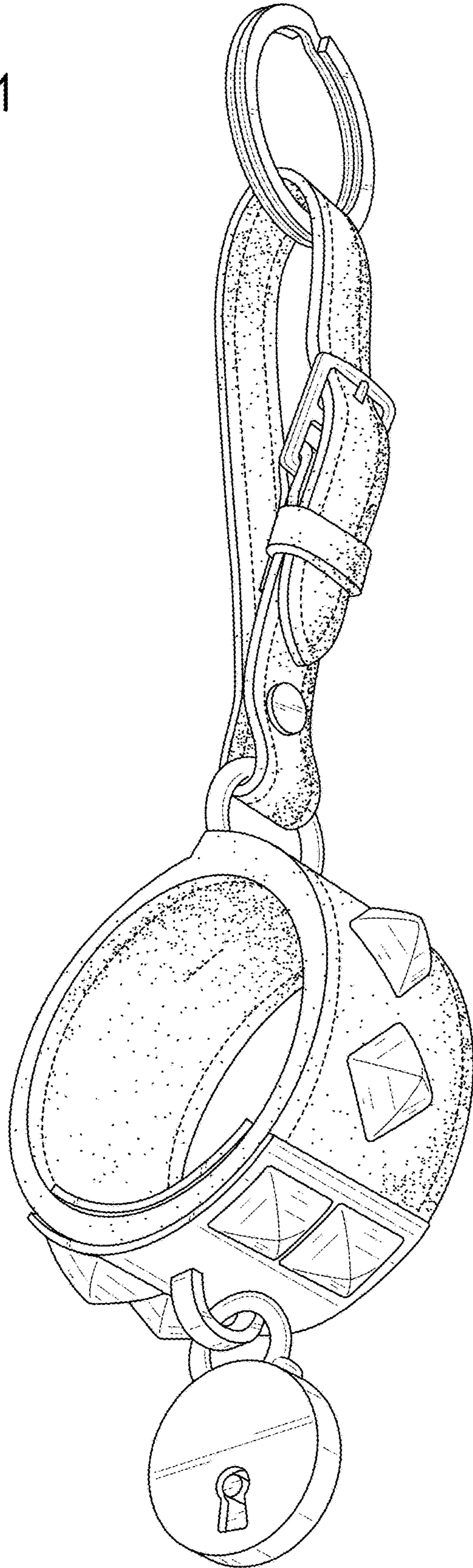


FIG. 1.2

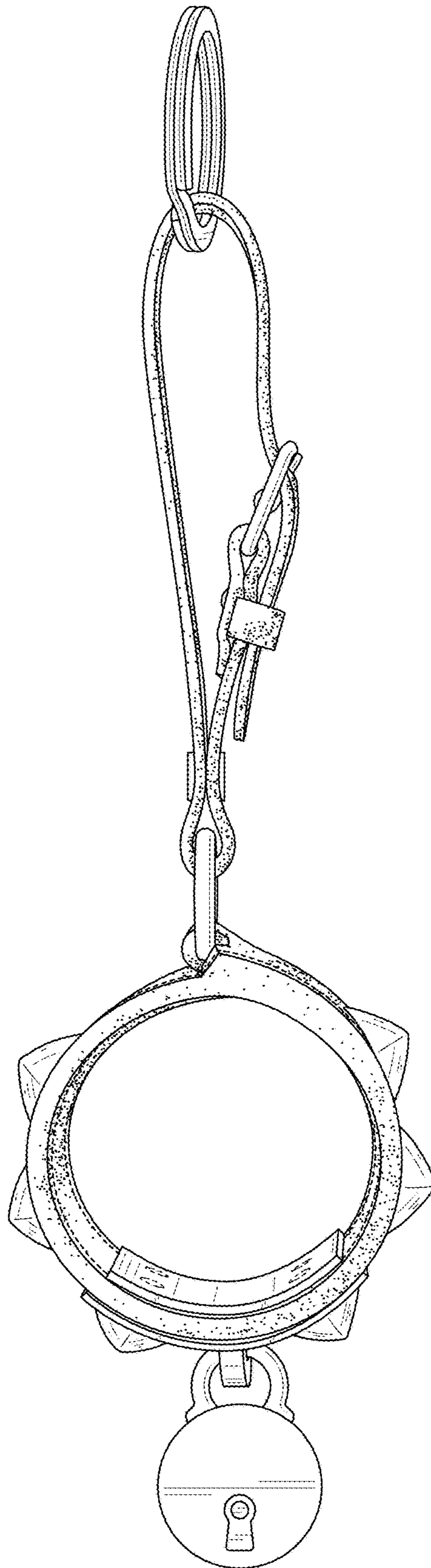


FIG. 1.3

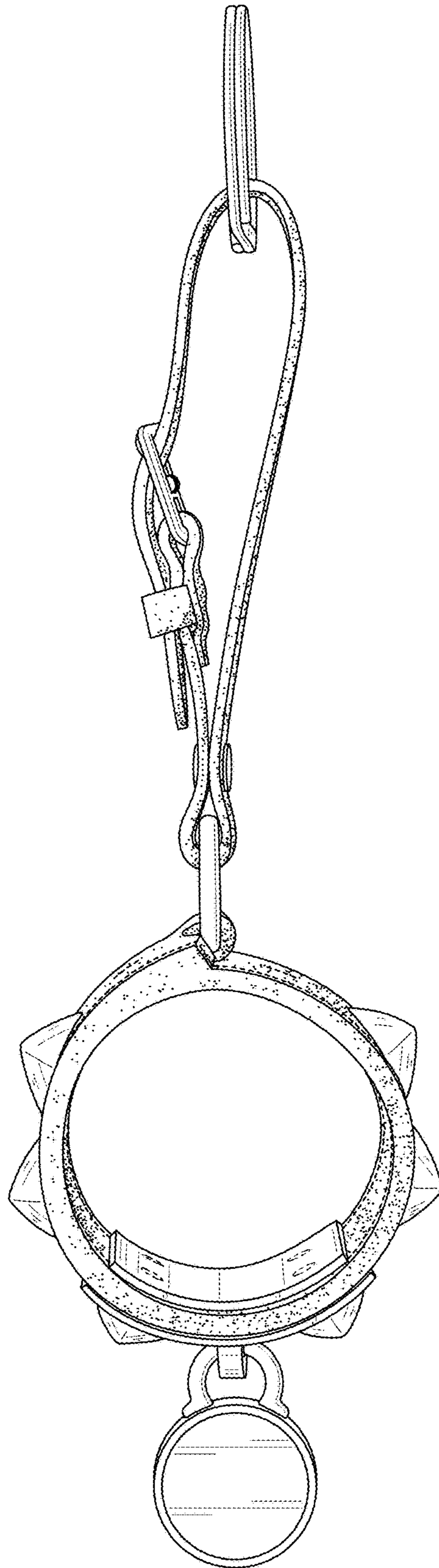


FIG. 1.4

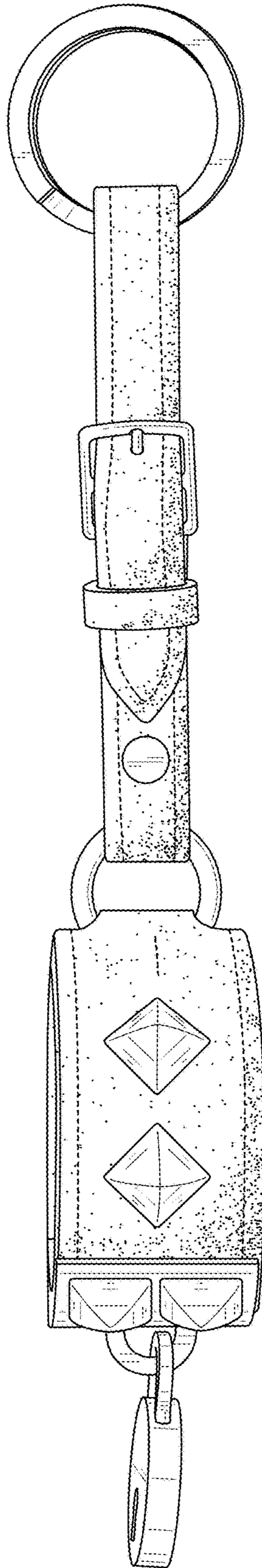


FIG. 1.5

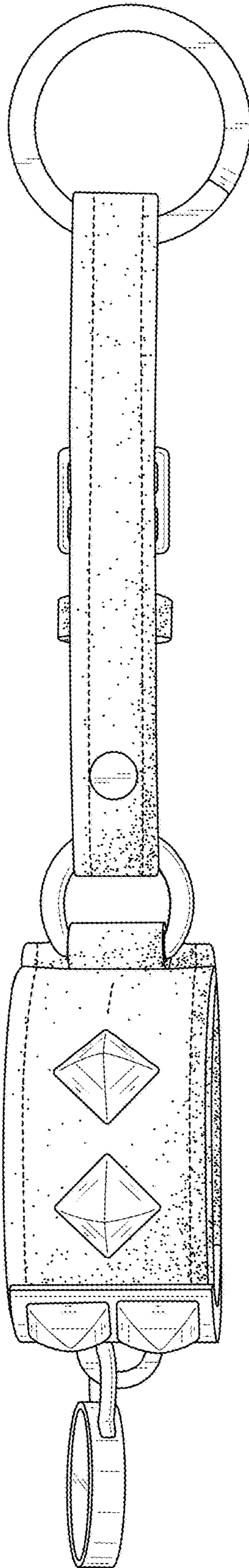


FIG. 1.6

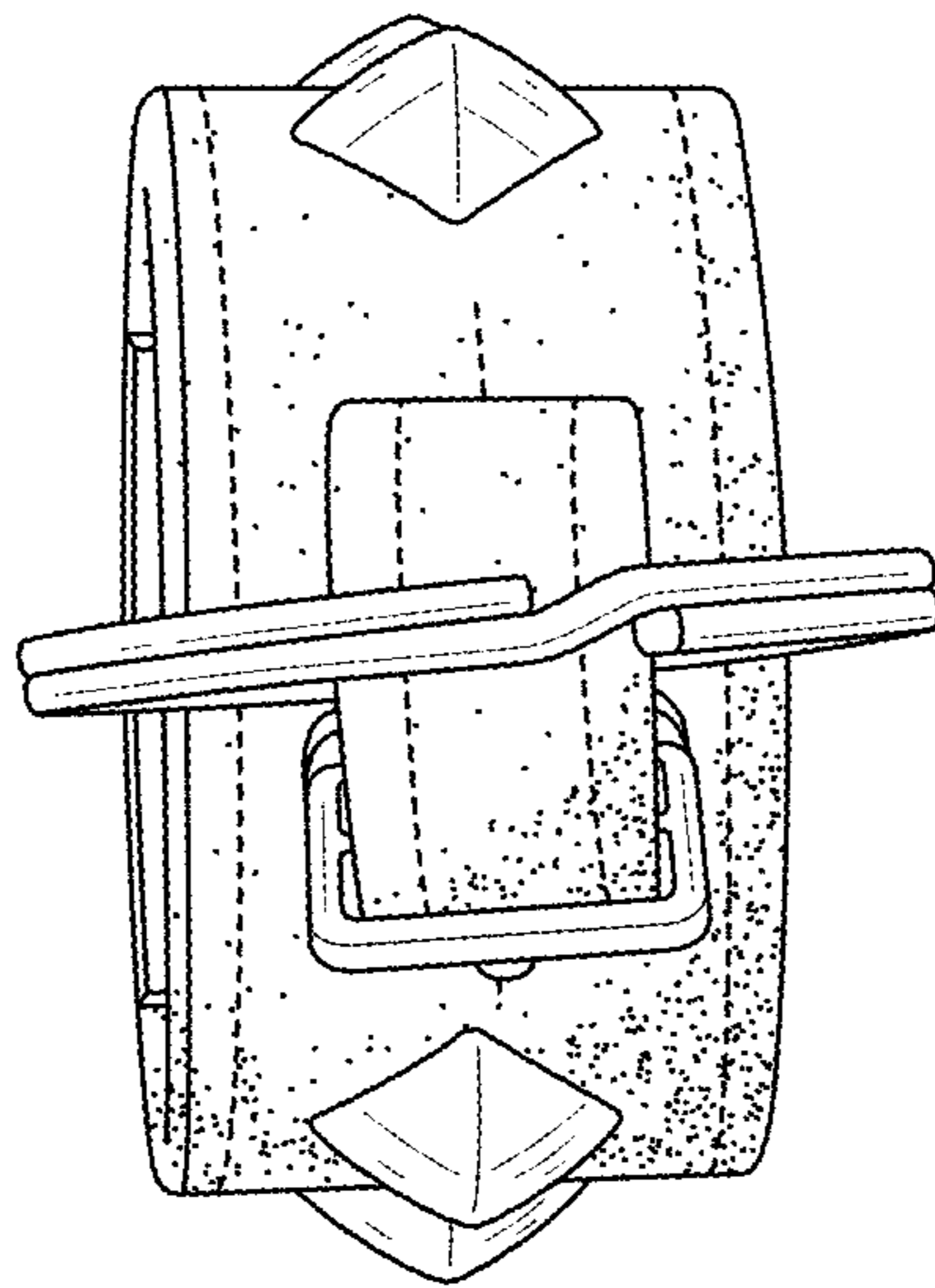
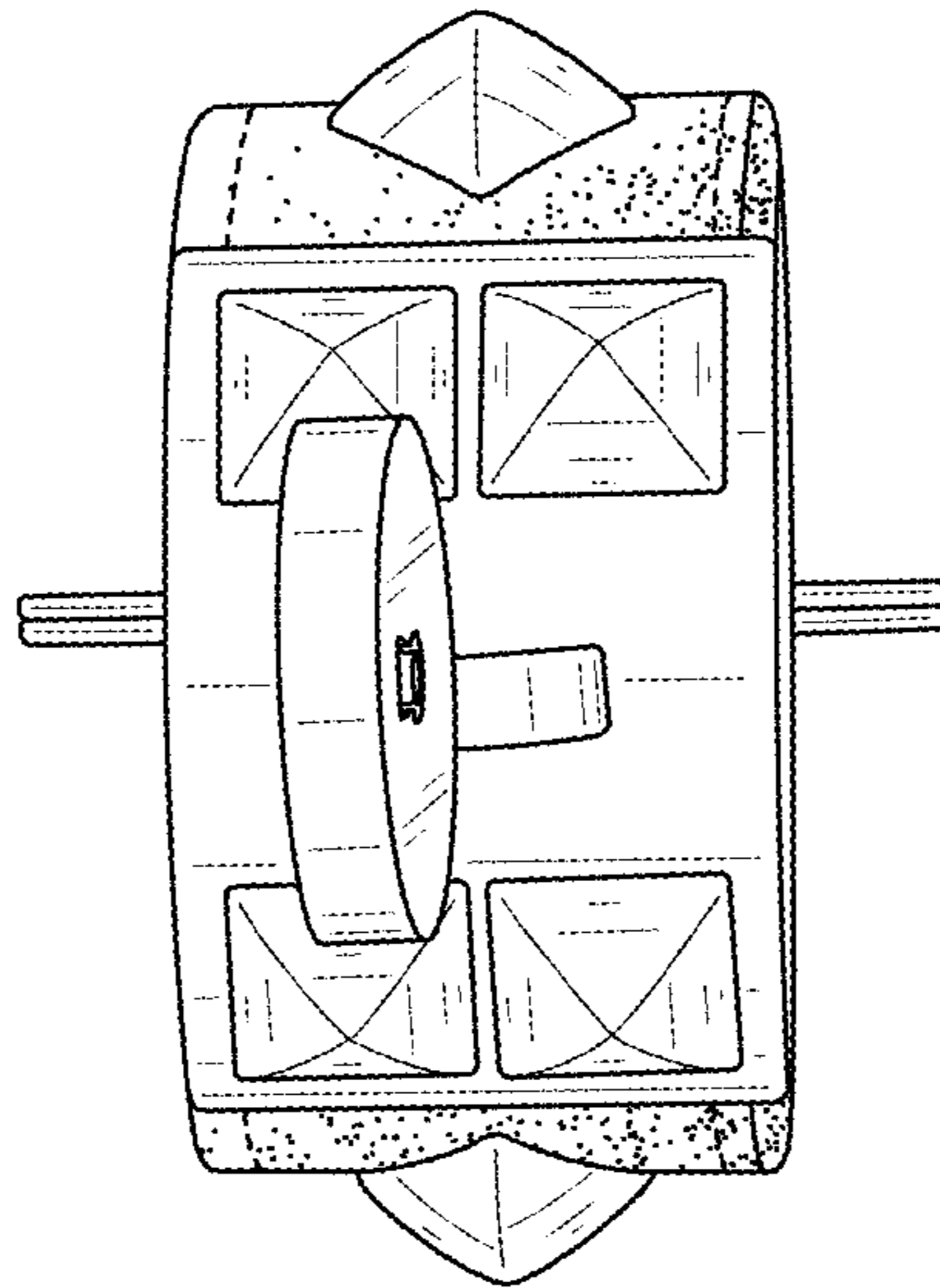


FIG. 1.7



UNITED STATES PATENT AND TRADEMARK OFFICE
CERTIFICATE OF CORRECTION

PATENT NO. : D830,685 S
APPLICATION NO. : 35/502601
DATED : October 16, 2018
INVENTOR(S) : Pierre-Alexis Dumas

Page 1 of 1

It is certified that error appears in the above-identified patent and that said Letters Patent is hereby corrected as shown below:

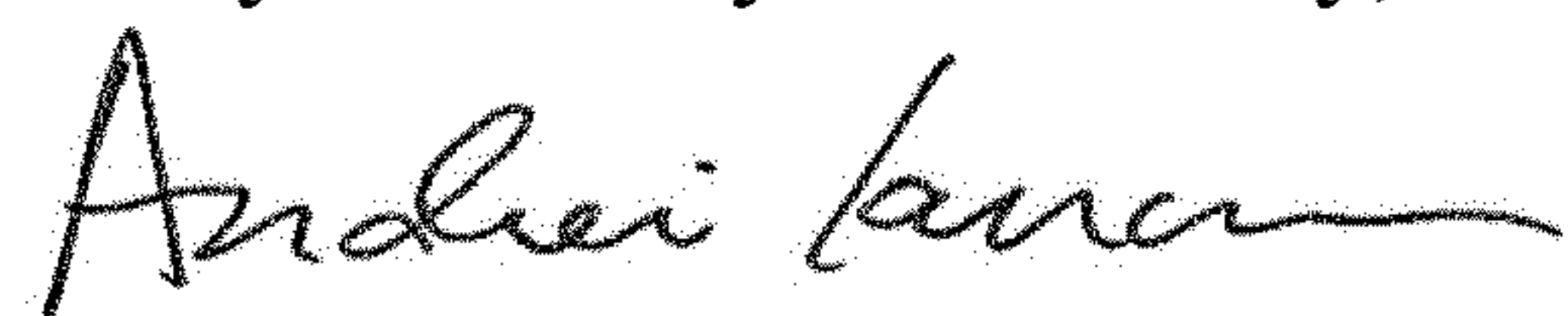
In the Description, Line 10 should read as follows:

--The dashed lines in the Figures depict stitching and **are part--**

Line 12 should read as follows:

--**1.2** and **1.3** depict unclaimed portions of the key ring and--

Signed and Sealed this
Twenty-sixth Day of February, 2019



Andrei Iancu
Director of the United States Patent and Trademark Office