



US00D830684S

(12) **United States Design Patent**
Shirai et al.

(10) **Patent No.:** **US D830,684 S**
(45) **Date of Patent:** **** Oct. 16, 2018**

- (54) **BOBBIN HOLDER**
- (71) Applicant: **CLOVER MFG. CO., LTD.**,
Osaka-shi, Osaka (JP)
- (72) Inventors: **Rie Shirai**, Osaka (JP); **Yasuhiro Fujiwara**, Osaka (JP)
- (73) Assignee: **CLOVER MFG. CO., LTD.**, Osaka (JP)
- (**) Term: **15 Years**
- (21) Appl. No.: **29/611,889**
- (22) Filed: **Jul. 26, 2017**
- (30) **Foreign Application Priority Data**
Feb. 21, 2017 (JP) 2017-003331
- (51) **LOC (11) Cl.** **15-06**
- (52) **U.S. Cl.**
USPC **D3/24; D15/78**
- (58) **Field of Classification Search**
USPC D15/66-78; D3/18-26; D6/680.2
CPC D05B 1/00-25/00; D05B 91/16; D05B 91/00; D05B 91/06; B65H 49/38
See application file for complete search history.

- (56) **References Cited**
U.S. PATENT DOCUMENTS
D92,939 S * 8/1934 Albert D3/24
D336,651 S * 6/1993 Williams D10/71

- D337,431 S * 7/1993 Tong D15/78
- 7,100,856 B2 * 9/2006 Murphy, Jr. B65H 49/38
242/118.41
- 7,503,270 B2 * 3/2009 Wieczorek D05B 57/00
112/185
- D623,847 S * 9/2010 Iwasaki D3/25

* cited by examiner

Primary Examiner — Mitchell I. Siegel
(74) *Attorney, Agent, or Firm* — Hamre, Schumann, Mueller & Larson, P.C.

(57) **CLAIM**
We claim the ornamental design for a bobbin holder, as shown and described.

DESCRIPTION

FIG. 1 is a perspective view of a bobbin holder according to our design;
FIG. 2 is a front elevational view thereof;
FIG. 3 is a rear elevational view thereof;
FIG. 4 is a top plan view thereof; the undisclosed bottom side is identical;
FIG. 5 is a left side elevational view thereof;
FIG. 6 is a right side elevational view thereof;
FIG. 7 is a cross sectional view taken on line 7-7 of FIG. 3;
FIG. 8 is a cross sectional view taken on line 8-8 of FIG. 3; and,
FIG. 9 is a perspective view.
The broken line showing of the bobbin is included for the purpose of illustrating environment and forms no part of the claimed design.

1 Claim, 5 Drawing Sheets

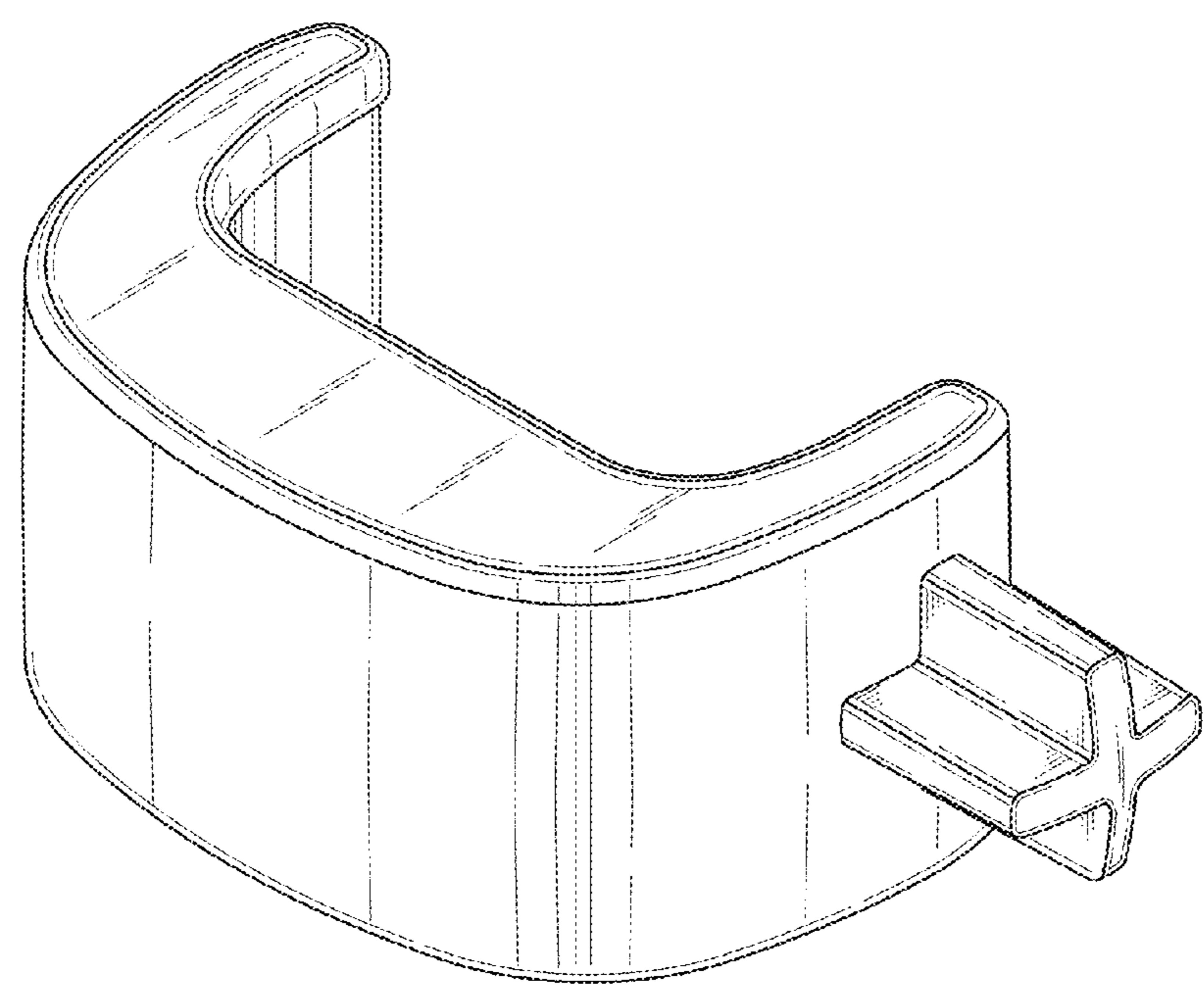


Fig. 1

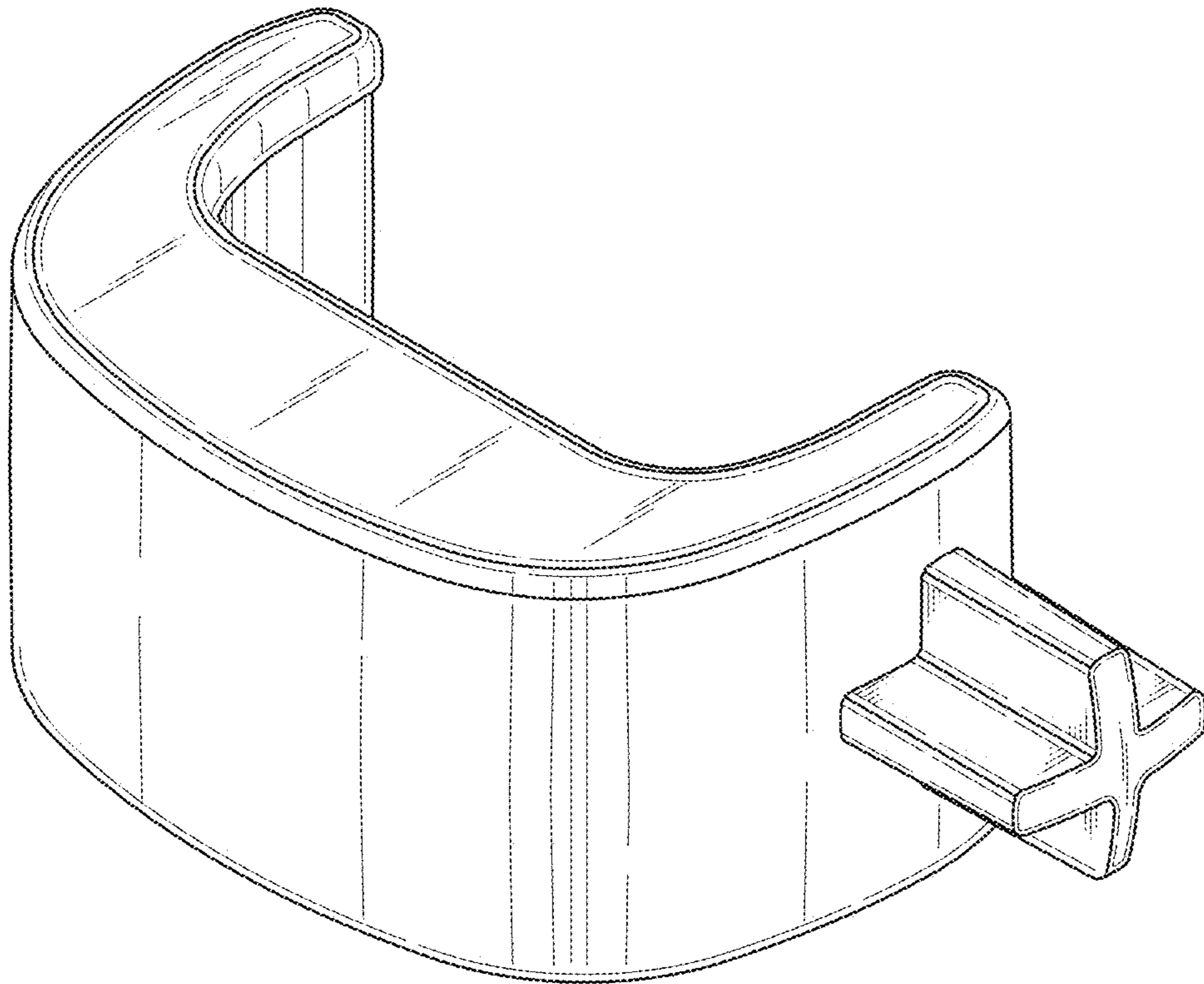


Fig. 2

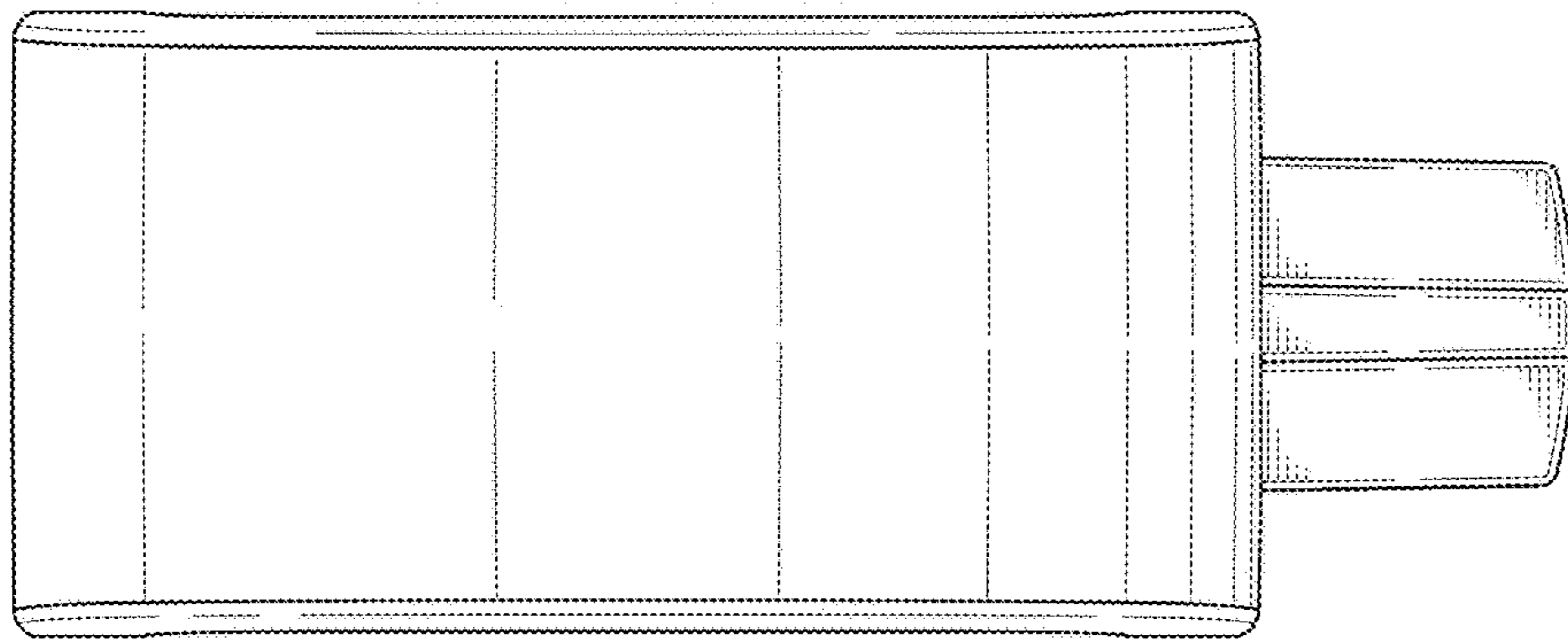


Fig. 3

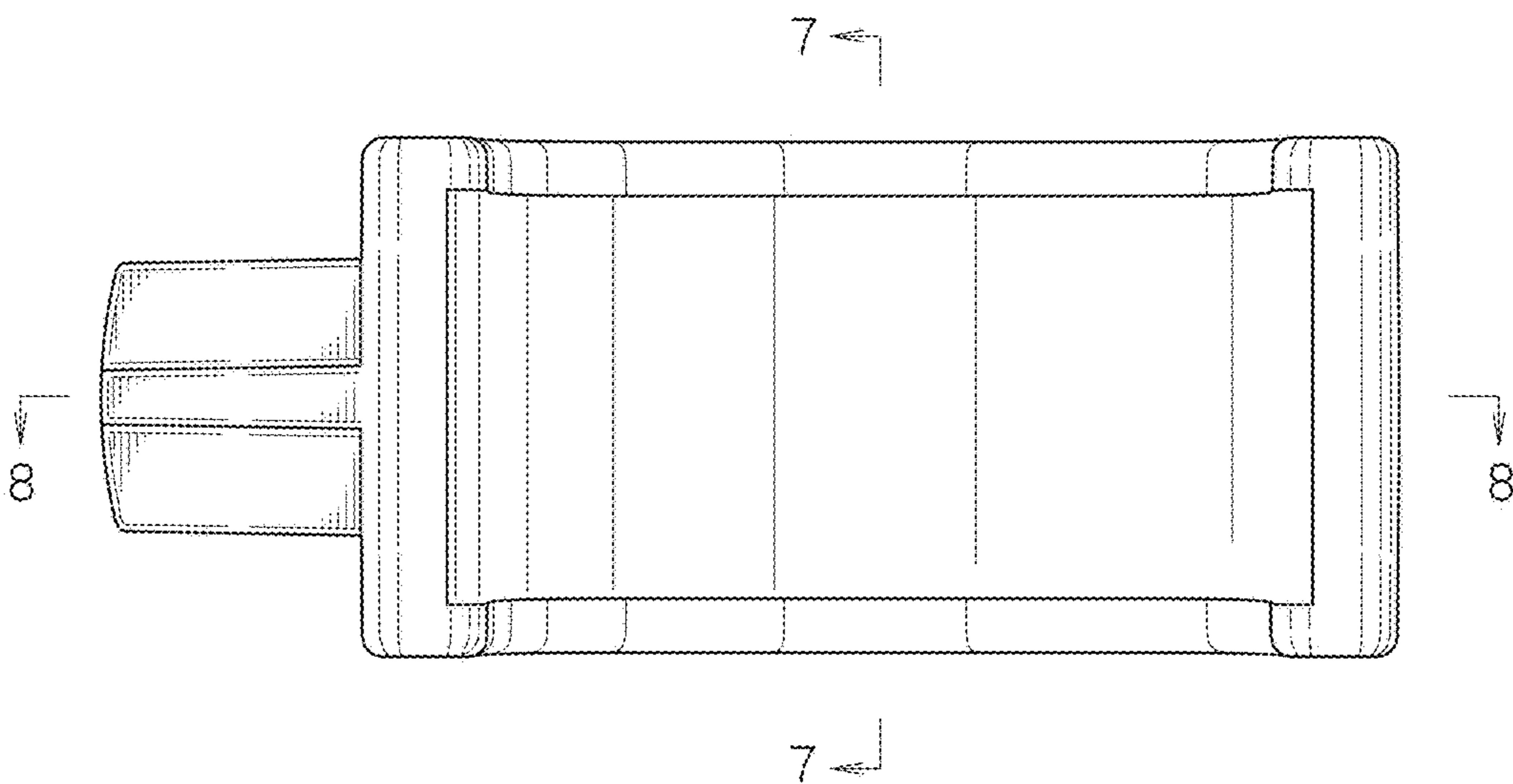


Fig. 4

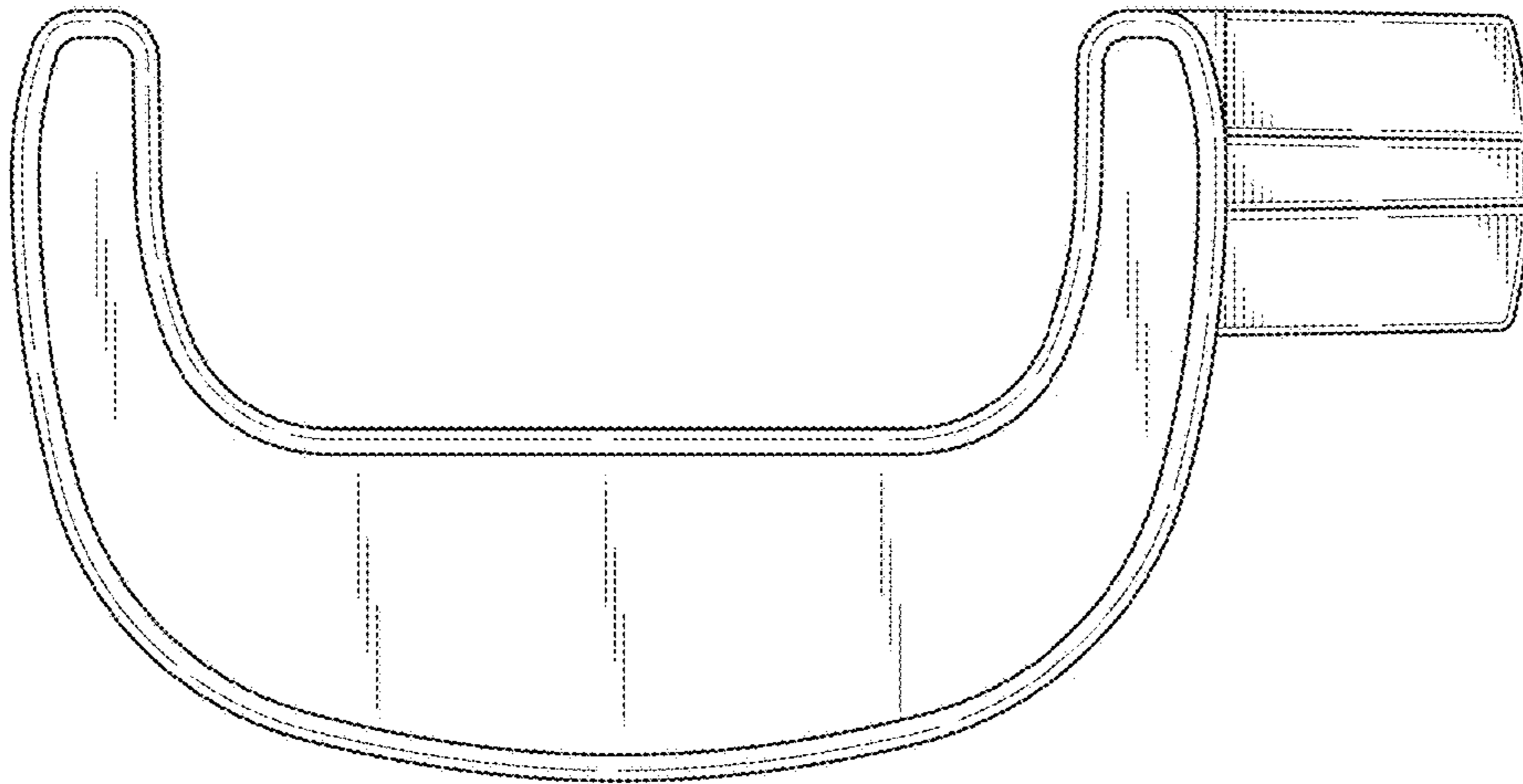


Fig. 5

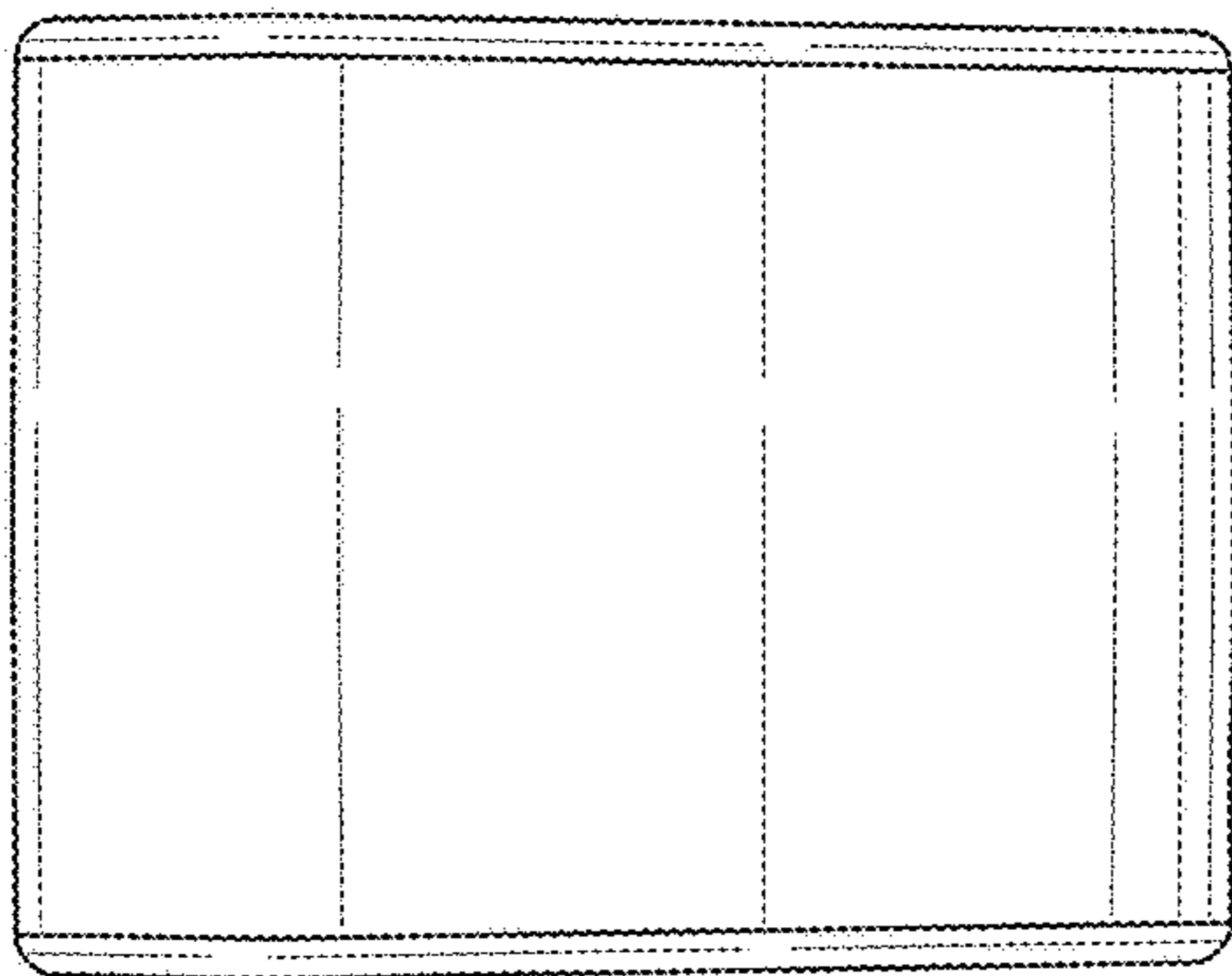


Fig. 6

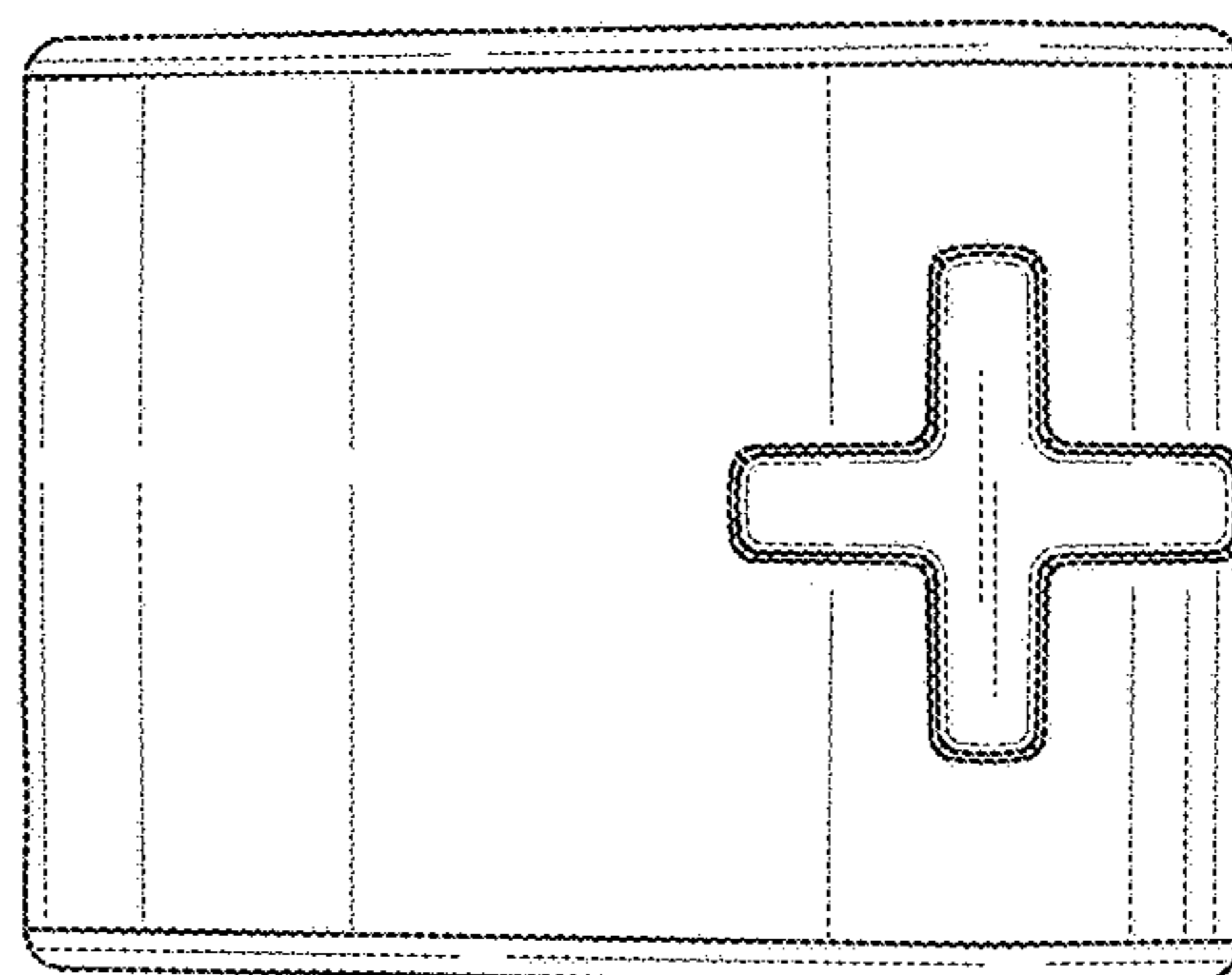


Fig. 7

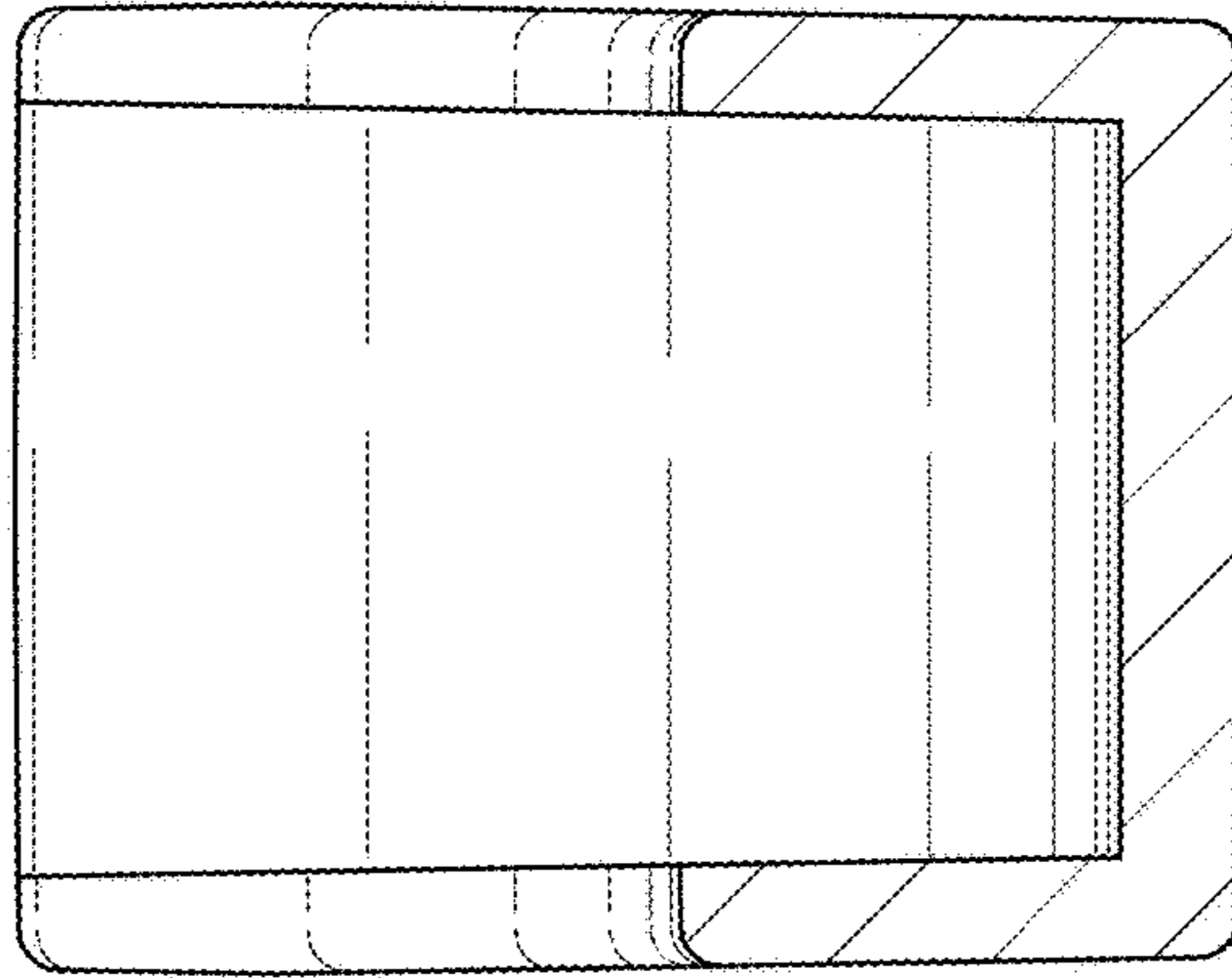


Fig. 8

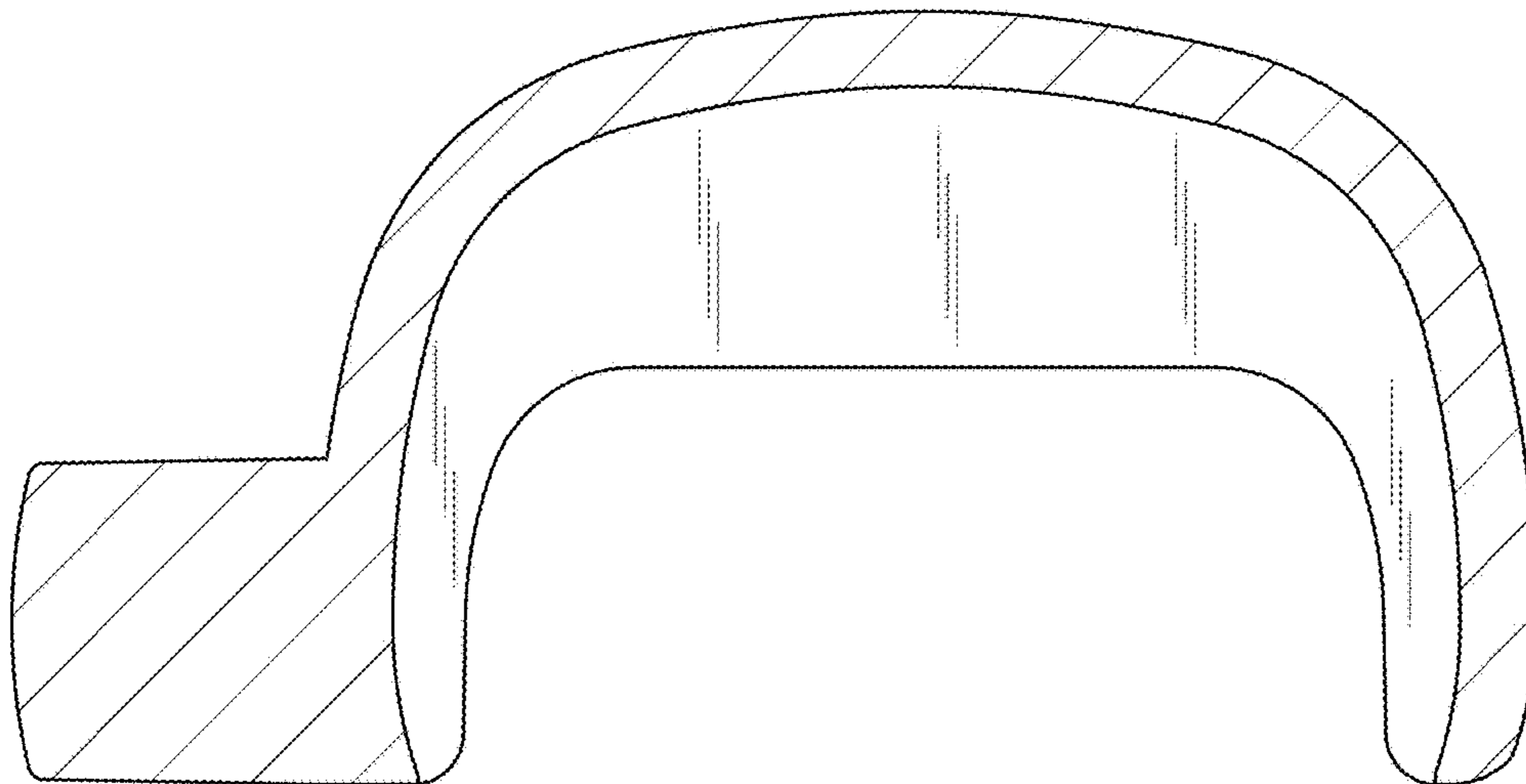


Fig. 9

