



US00D830678S

(12) **United States Design Patent**  
**Osorio**

(10) **Patent No.:** **US D830,678 S**

(45) **Date of Patent:** **\*\* Oct. 16, 2018**

(54) **FOOTWEAR**

(71) Applicant: **Aquazzura Italia S.R.L.**, Florence (IT)

(72) Inventor: **Edgardo Osorio**, Monaco (MC)

(73) Assignee: **Aquazzura Italia S.R.L.**, Florence (IT)

(\*\*) Term: **15 Years**

(21) Appl. No.: **29/599,642**

(22) Filed: **Apr. 5, 2017**

(30) **Foreign Application Priority Data**

Feb. 28, 2017 (EM) ..... 003773142-0001  
Feb. 28, 2017 (EM) ..... 003773142-0002

(51) **LOC (11) Cl.** ..... **02-99**

(52) **U.S. Cl.**  
USPC ..... **D2/971**

(58) **Field of Classification Search**  
USPC ..... D2/896, 916-918, 925-942, 969, 971  
CPC ..... A43B 21/00; A43B 21/02; A43B 21/06;  
A43B 9/14; A43B 1/0045; A43B 13/10;  
A43B 13/12; A43B 23/06; A43B 23/07;  
A43B 1/0036; A43B 7/32; A43B 5/12;  
A43B 23/25; A43B 3/128; A43B 3/10;  
A43B 3/122; A43B 3/24; A43B 3/12  
See application file for complete search history.

(56) **References Cited**

**U.S. PATENT DOCUMENTS**

D85,015 S \* 9/1931 Troy ..... D2/930  
D154,290 S \* 6/1949 Levin ..... D2/971  
D513,845 S \* 1/2006 Choi ..... D2/971  
D521,717 S \* 5/2006 Choi ..... D2/971  
D522,726 S \* 6/2006 Choi ..... D2/971  
D540,528 S \* 4/2007 Choi ..... D2/971  
D558,967 S \* 1/2008 Guers-Neyrud ..... D2/971  
D562,540 S \* 2/2008 Guers-Neyrud ..... D2/971

D567,487 S \* 4/2008 Choi ..... D2/971  
D572,457 S \* 7/2008 Guers-Neyraud ..... D2/971  
D572,458 S \* 7/2008 Choi ..... D2/971  
D572,897 S \* 7/2008 Choi ..... D2/971  
D589,242 S \* 3/2009 Choi ..... D2/971  
D604,935 S \* 12/2009 Choi ..... D2/971  
D605,395 S \* 12/2009 Guers-Neyraud ..... D2/971  
D616,191 S \* 5/2010 Lawler ..... D2/971  
D632,883 S \* 2/2011 Choi ..... D2/971  
D725,361 S \* 3/2015 Osorio ..... D2/971

\* cited by examiner

*Primary Examiner* — Dominic V Simone

(74) *Attorney, Agent, or Firm* — Fross Zelnick Lehrman & Zissu, P.C.; Lawrence E. Apolzon, Esq.

(57) **CLAIM**

The ornamental design for footwear, as shown and described.

**DESCRIPTION**

FIG. 1 is a front perspective view of a shoe showing my new design;  
FIG. 2 is another perspective view thereof;  
FIG. 3 is a front view thereof;  
FIG. 4 is a back view thereof;  
FIG. 5 is a left side view thereof;  
FIG. 6 is a right side view thereof;  
FIG. 7 is a top view thereof;  
FIG. 8 is a front perspective view of an alternative embodiment of the shoe shown in FIG. 1;  
FIG. 9 is another perspective view thereof;  
FIG. 10 is a front view thereof;  
FIG. 11 is a back view thereof;  
FIG. 12 is a left side view thereof;  
FIG. 13 is a right side view thereof; and,  
FIG. 14 is a top view thereof.  
The broken line showing of the heel, heel cap, sole, and footbed in the drawings shows unclaimed subject matter.

**1 Claim, 14 Drawing Sheets**

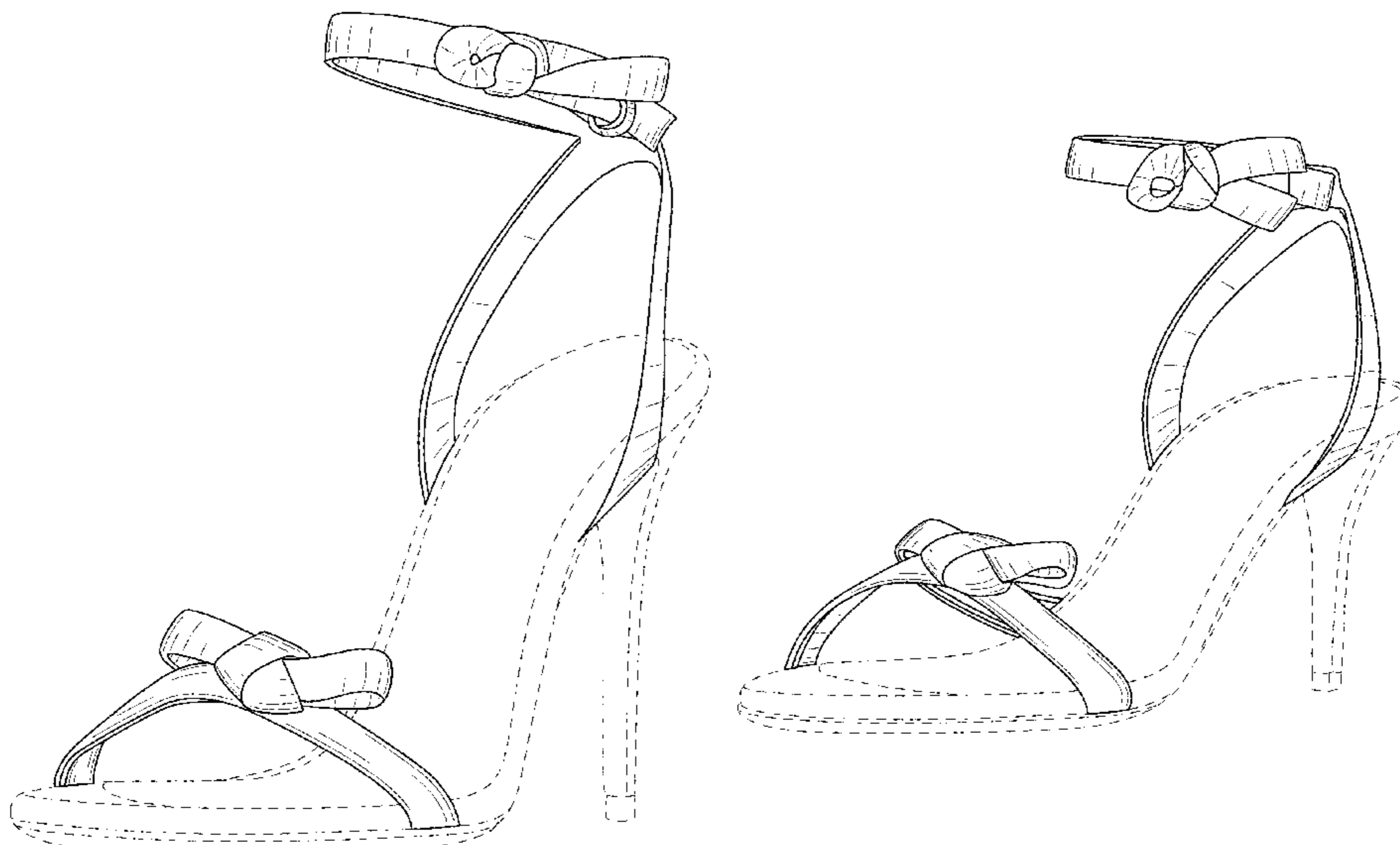




FIG. 1

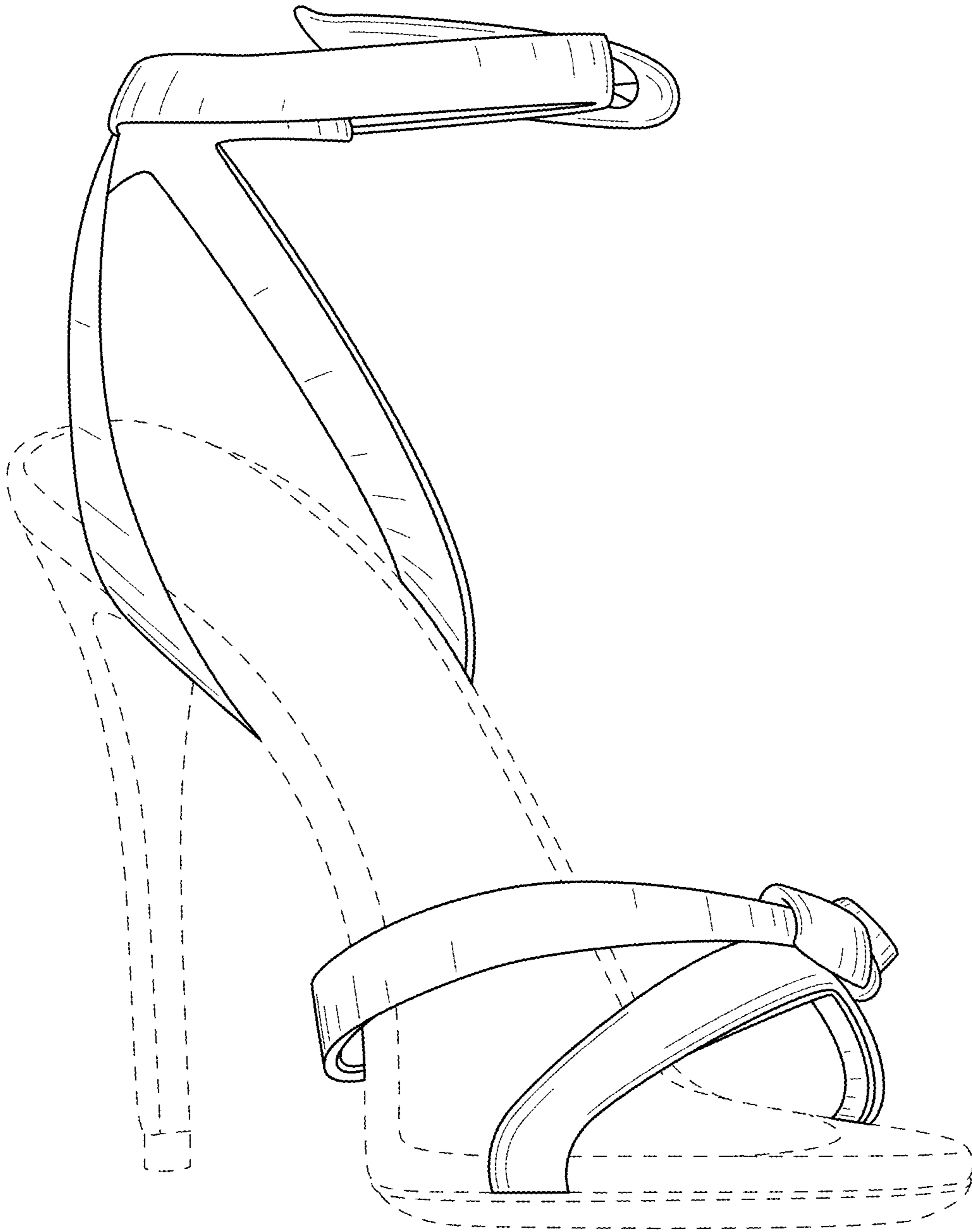


FIG. 2

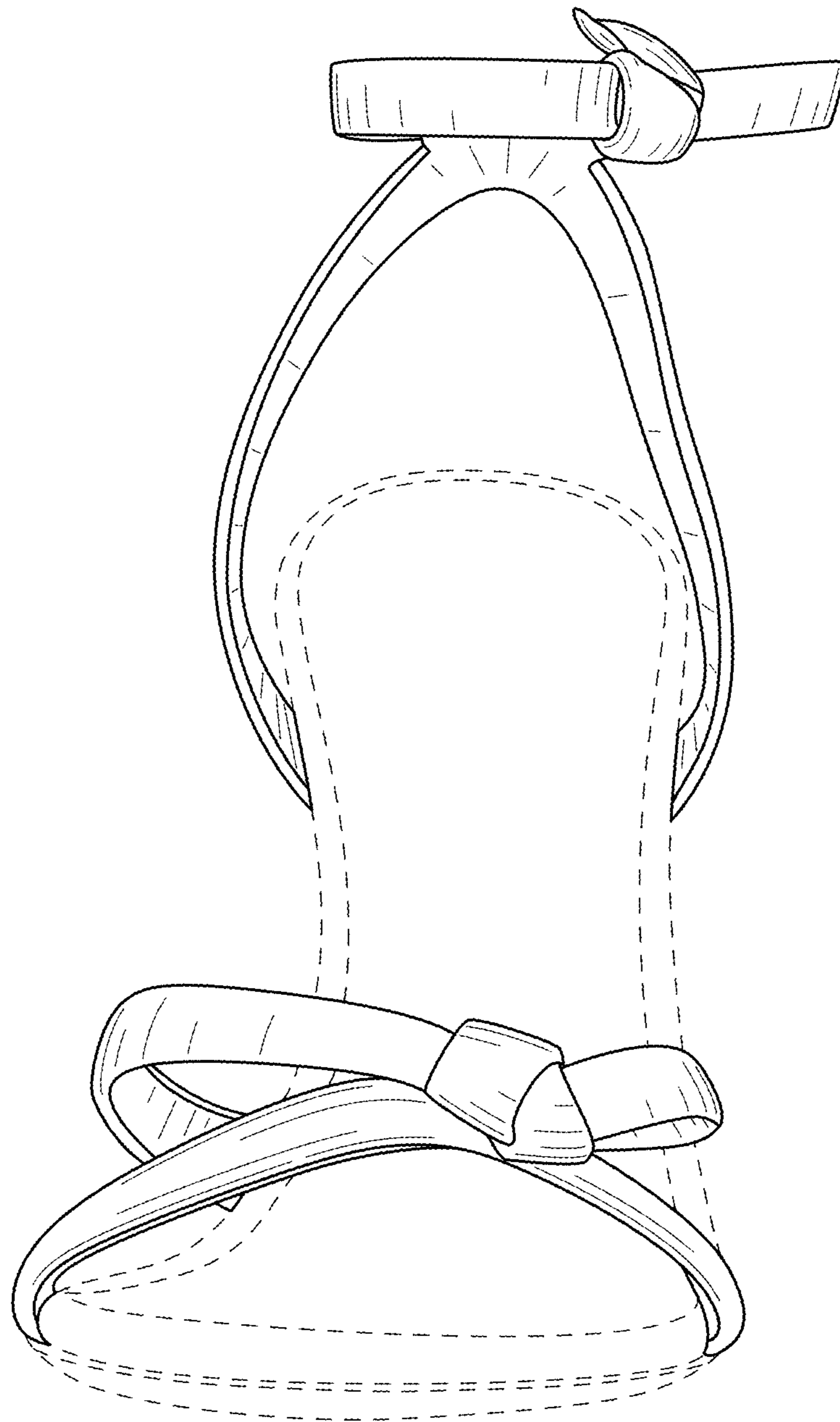


FIG. 3

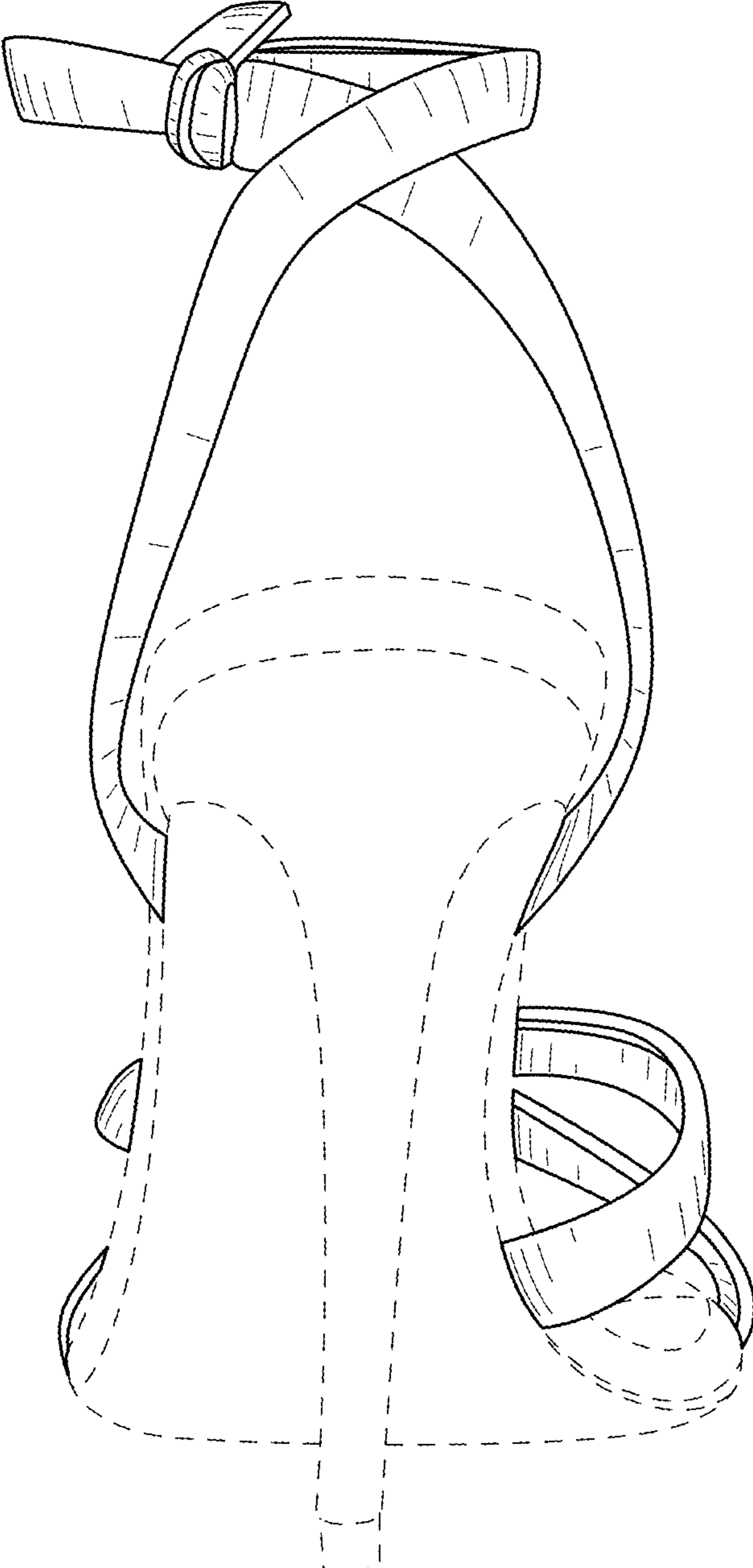


FIG. 4

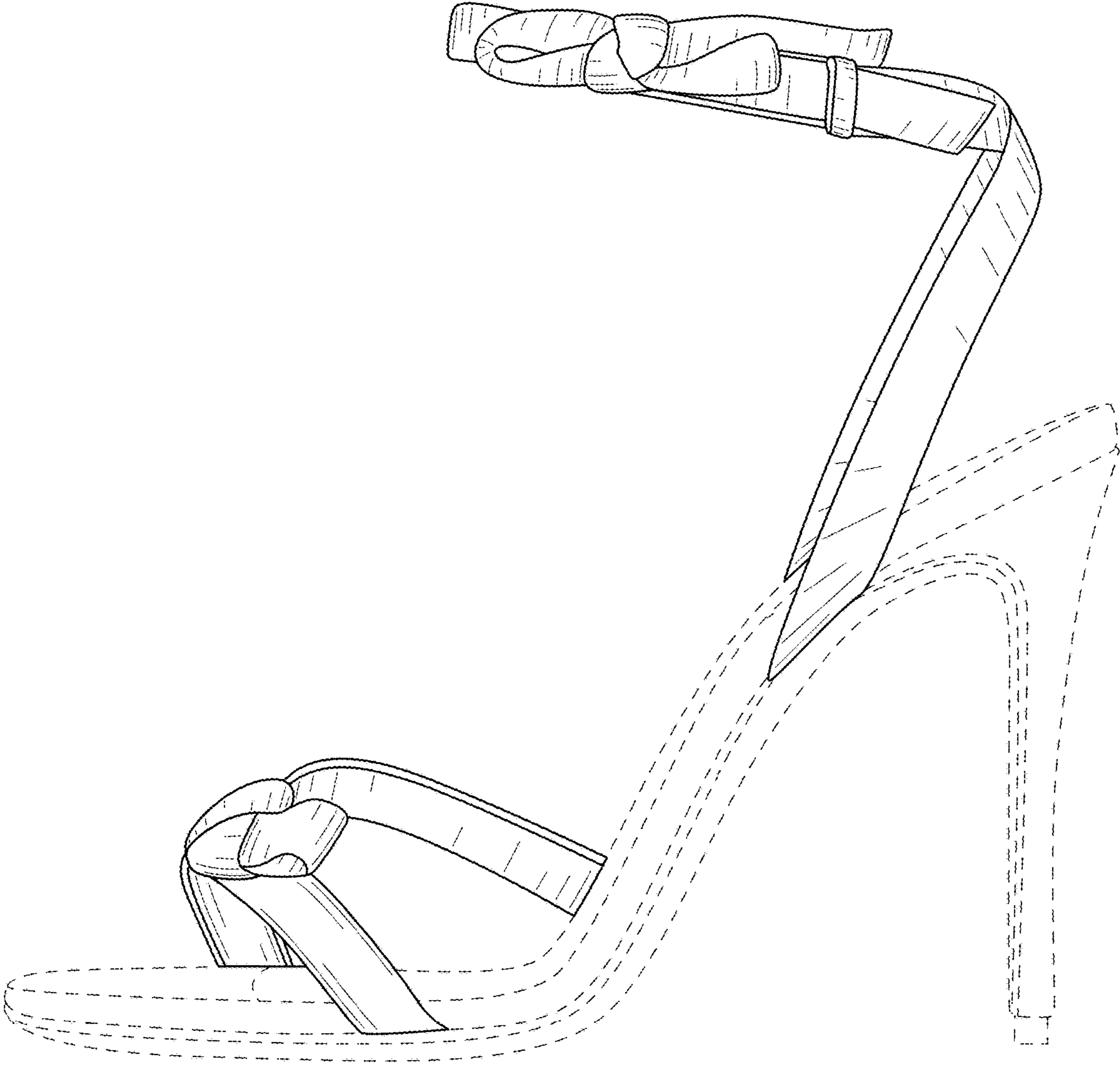


FIG. 5

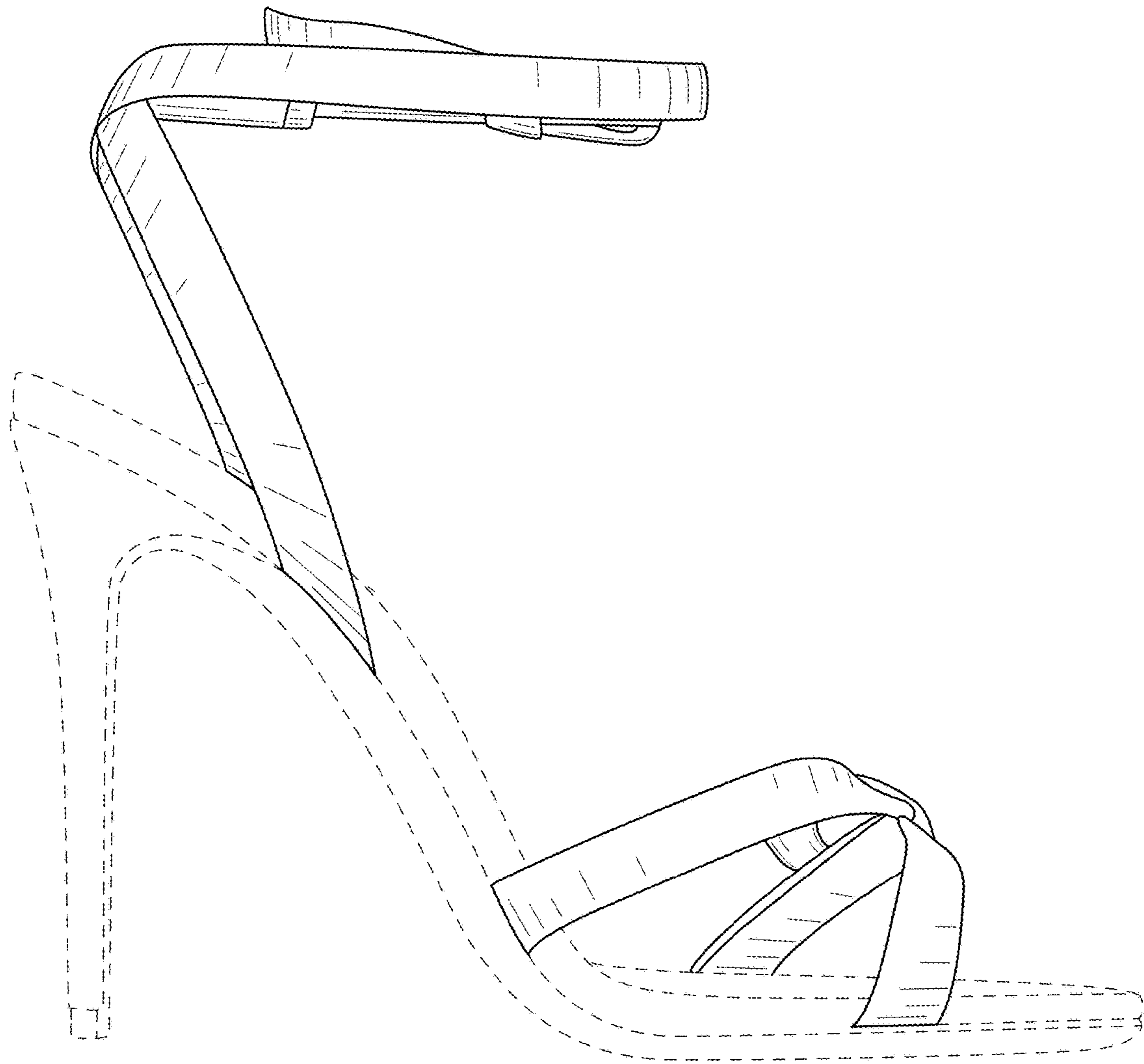


FIG. 6

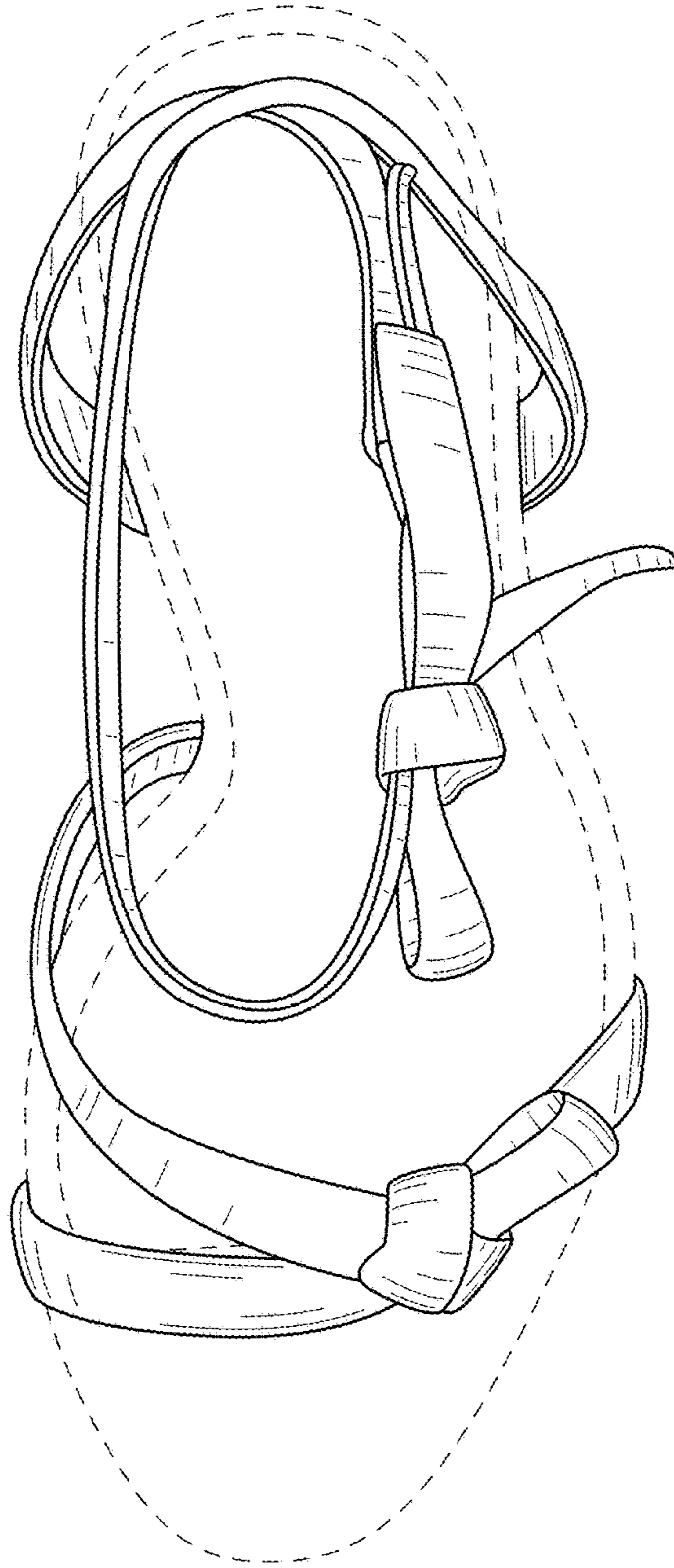


FIG. 7





FIG. 8

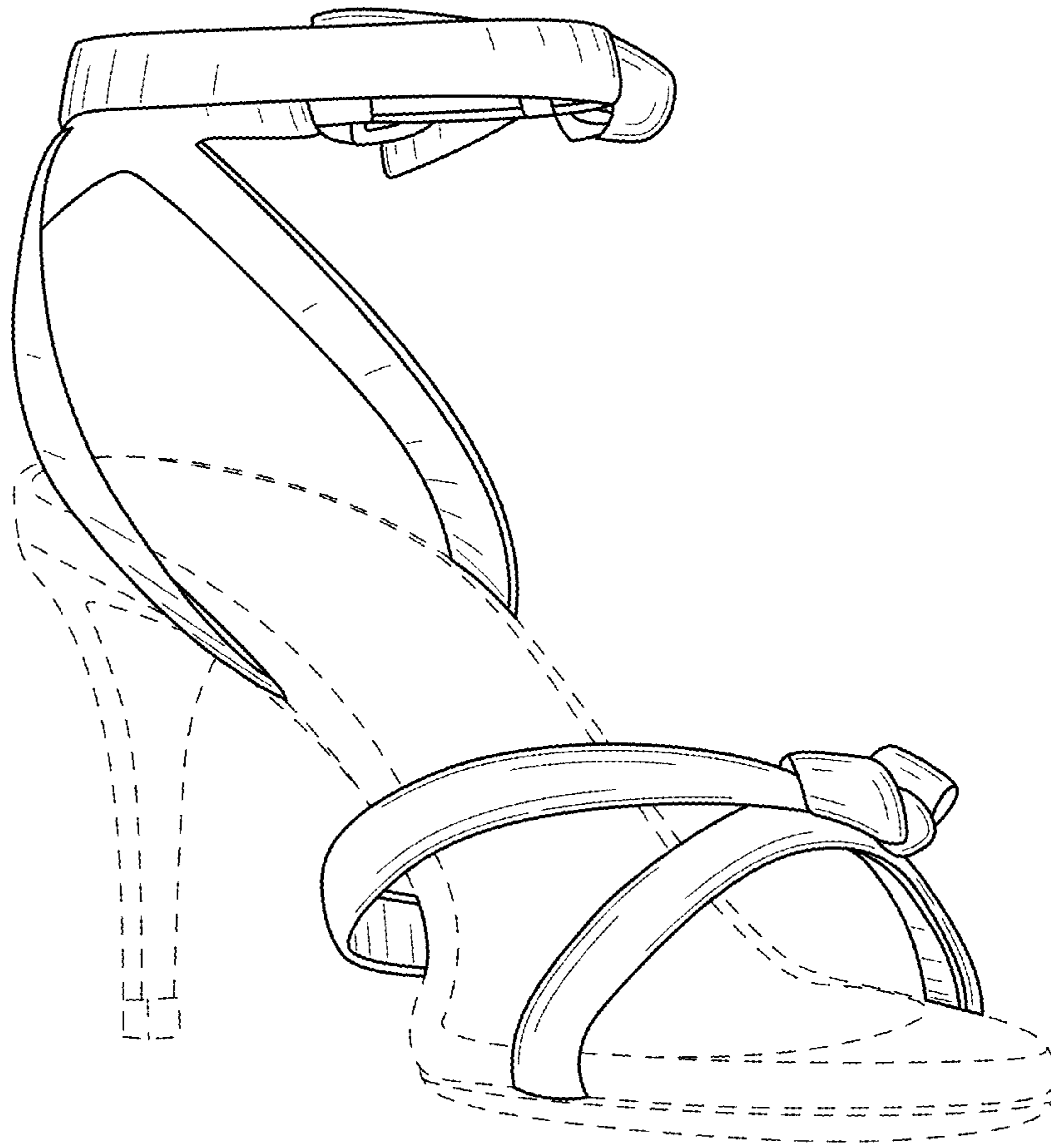


FIG. 9

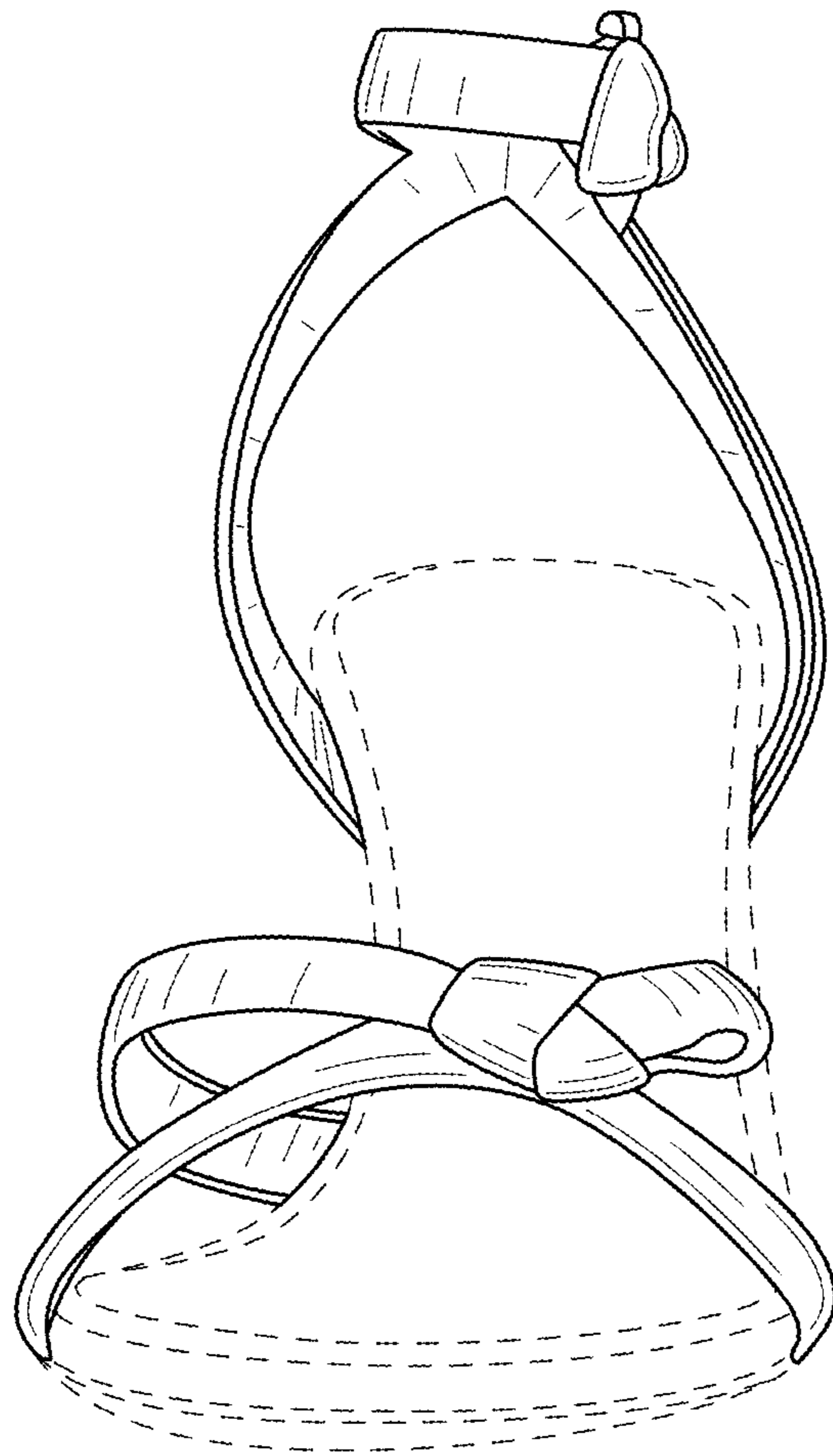


FIG. 10

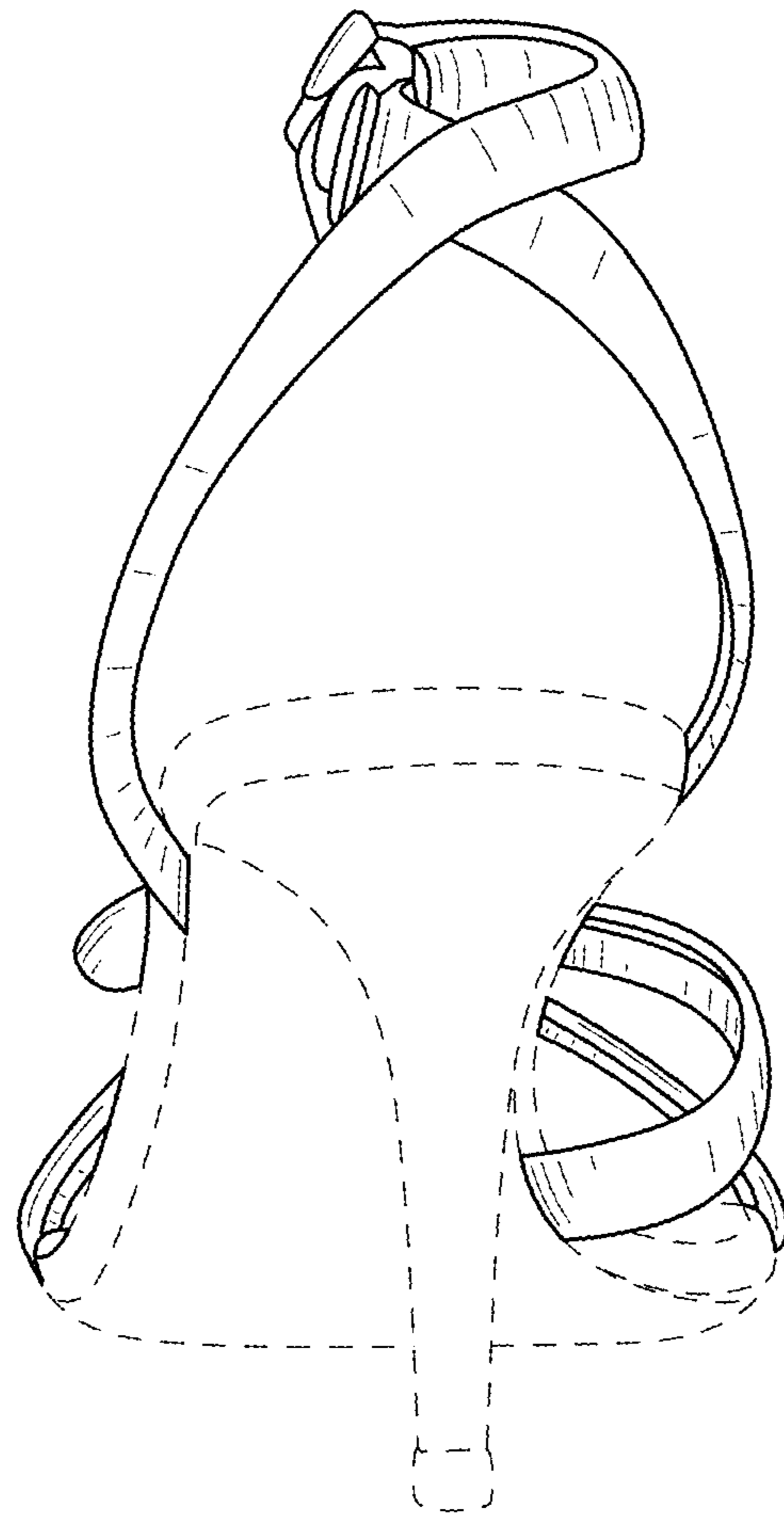


FIG. 11

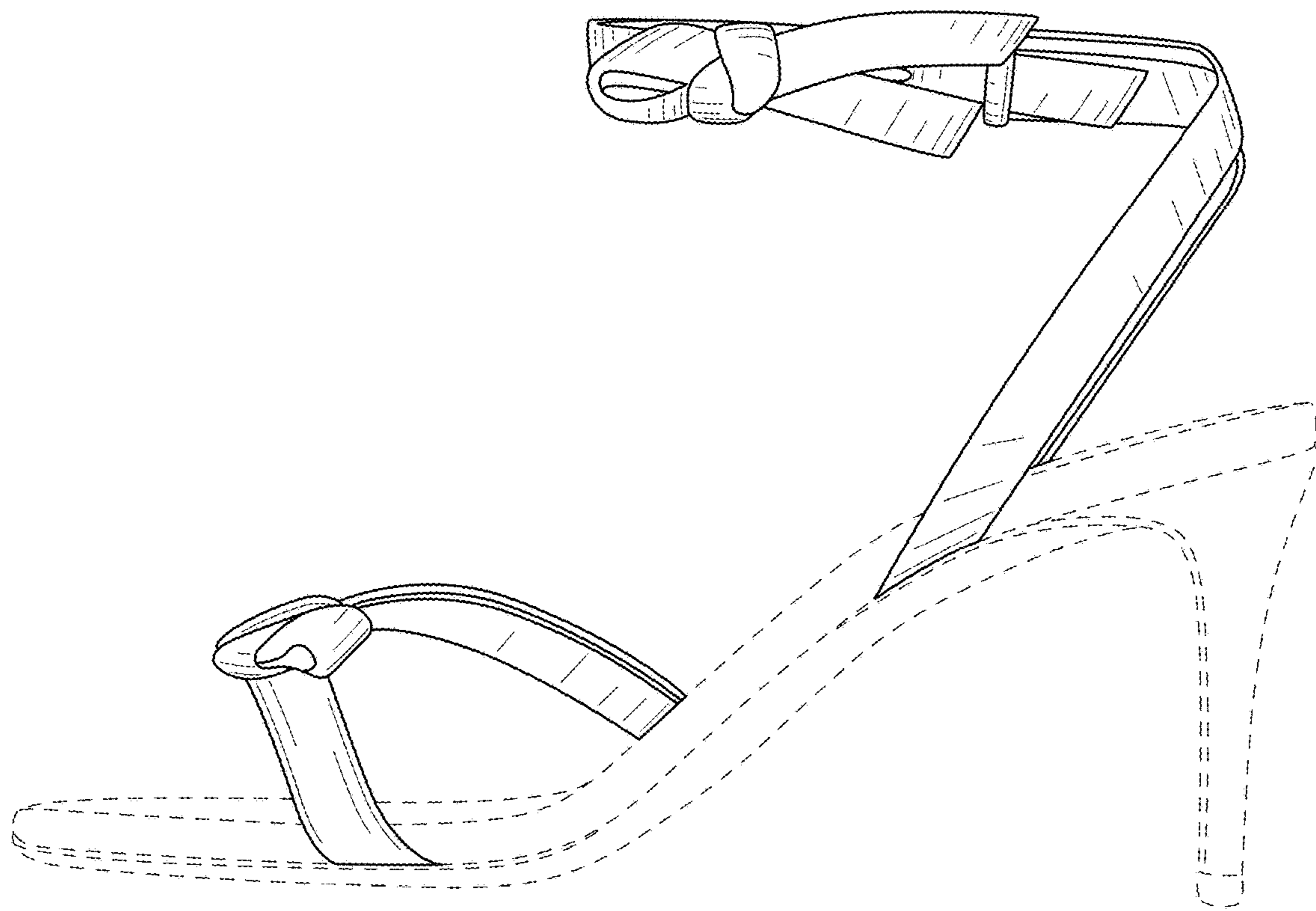


FIG. 12

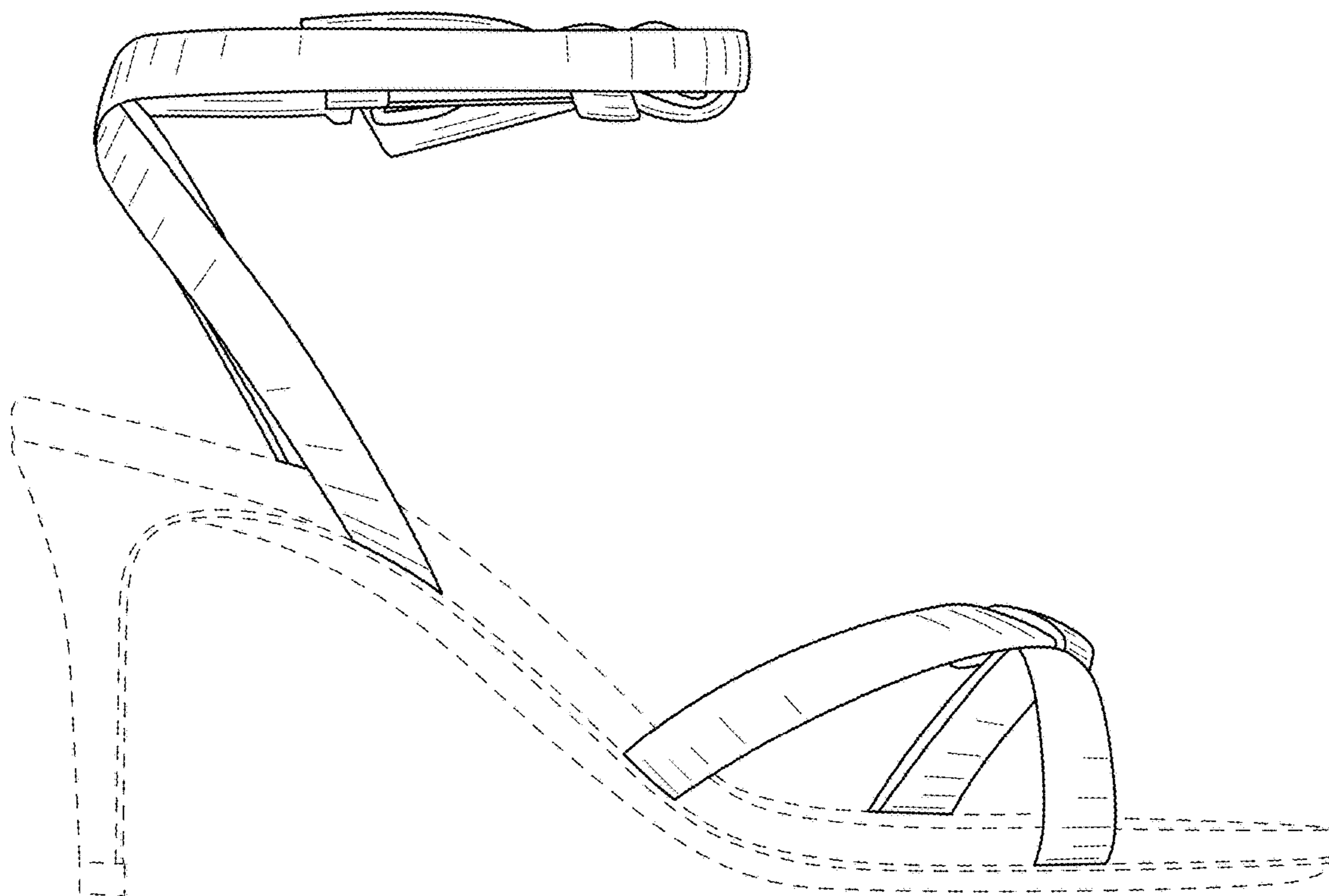


FIG. 13

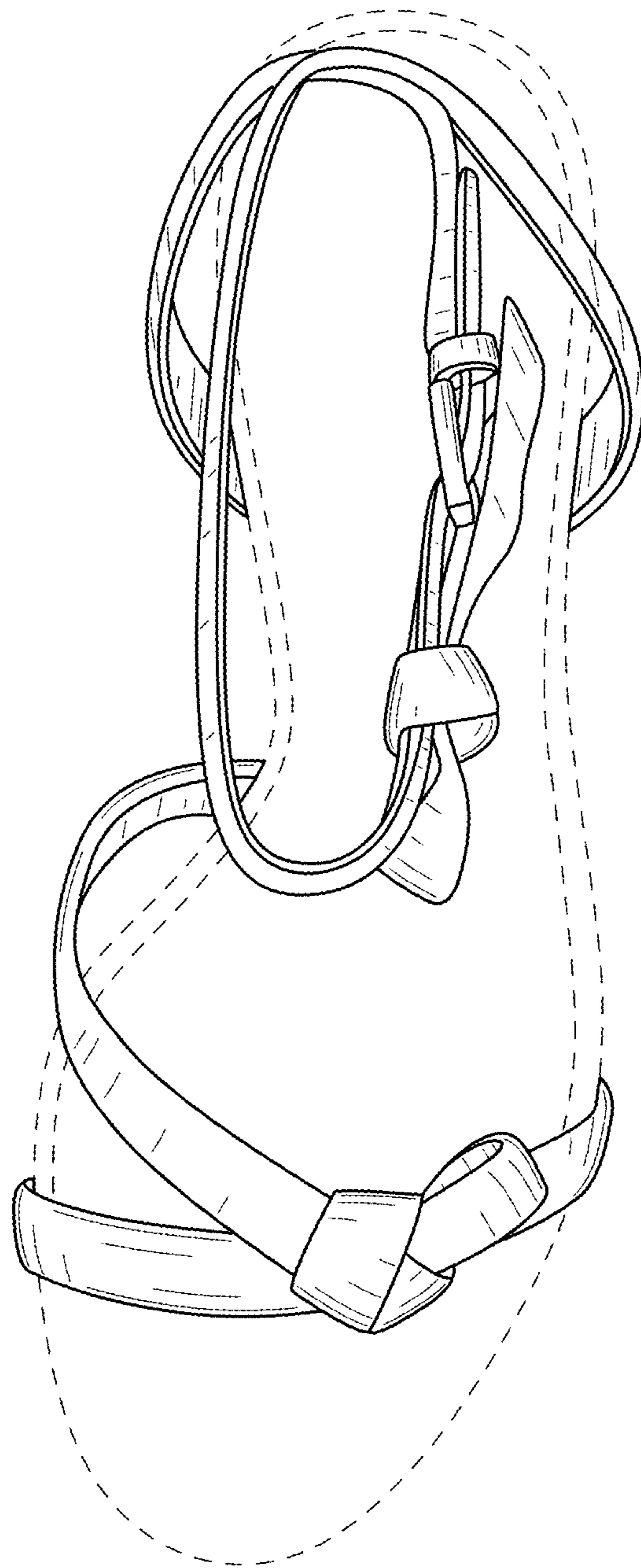


FIG. 14