

US00D830675S

(12) **United States Design Patent** (10) **Patent No.:** **US D830,675 S**  
**Del Biondi et al.** (45) **Date of Patent:** **\*\* Oct. 16, 2018**

(54) **FOOTWEAR**  
(71) Applicant: **Crocs, Inc.**, Niwot, CO (US)  
(72) Inventors: **Stefano Del Biondi**, Noventa Padovana (IT); **Federico Fongher**, Villatora Di Saonara (IT)  
(73) Assignee: **Crocs, Inc.**, Niwot, CO (US)  
(\*\*) Term: **15 Years**

D709,677 S \* 7/2014 del Biondi ..... D2/923  
D726,397 S \* 4/2015 Del Biondi ..... D2/923  
D732,808 S \* 6/2015 Del Biondi ..... D2/923  
D762,953 S \* 8/2016 Del Biondi ..... D2/923  
D764,153 S \* 8/2016 Engerman ..... D2/923  
D771,917 S 11/2016 Del Biondi et al.  
D787,789 S 5/2017 Del Biondi et al.  
D801,011 S \* 10/2017 Del Biondi ..... D2/923  
2004/0231190 A1\* 11/2004 Seamans ..... A43B 1/0081  
36/11.5  
2013/0145651 A1\* 6/2013 Bathum ..... A43B 13/38  
36/43

(21) Appl. No.: **29/590,023**  
(22) Filed: **Jan. 6, 2017**  
(51) **LOC (11) Cl.** ..... **02-04**  
(52) **U.S. Cl.**  
USPC ..... **D2/923**; D2/896  
(58) **Field of Classification Search**  
USPC ..... D2/896, 900, 916, 917, 923, 943,  
D2/946-96, 969, 972, 976; D3/234, 238  
CPC .. A43B 1/10; A43B 3/101; A43B 3/10; A43B  
3/12  
See application file for complete search history.

\* cited by examiner

*Primary Examiner* — Holly H Baynham  
*Assistant Examiner* — Rashida C Walshon  
(74) *Attorney, Agent, or Firm* — Wilmer Cutler Pickering  
Hale and Dorr LLP

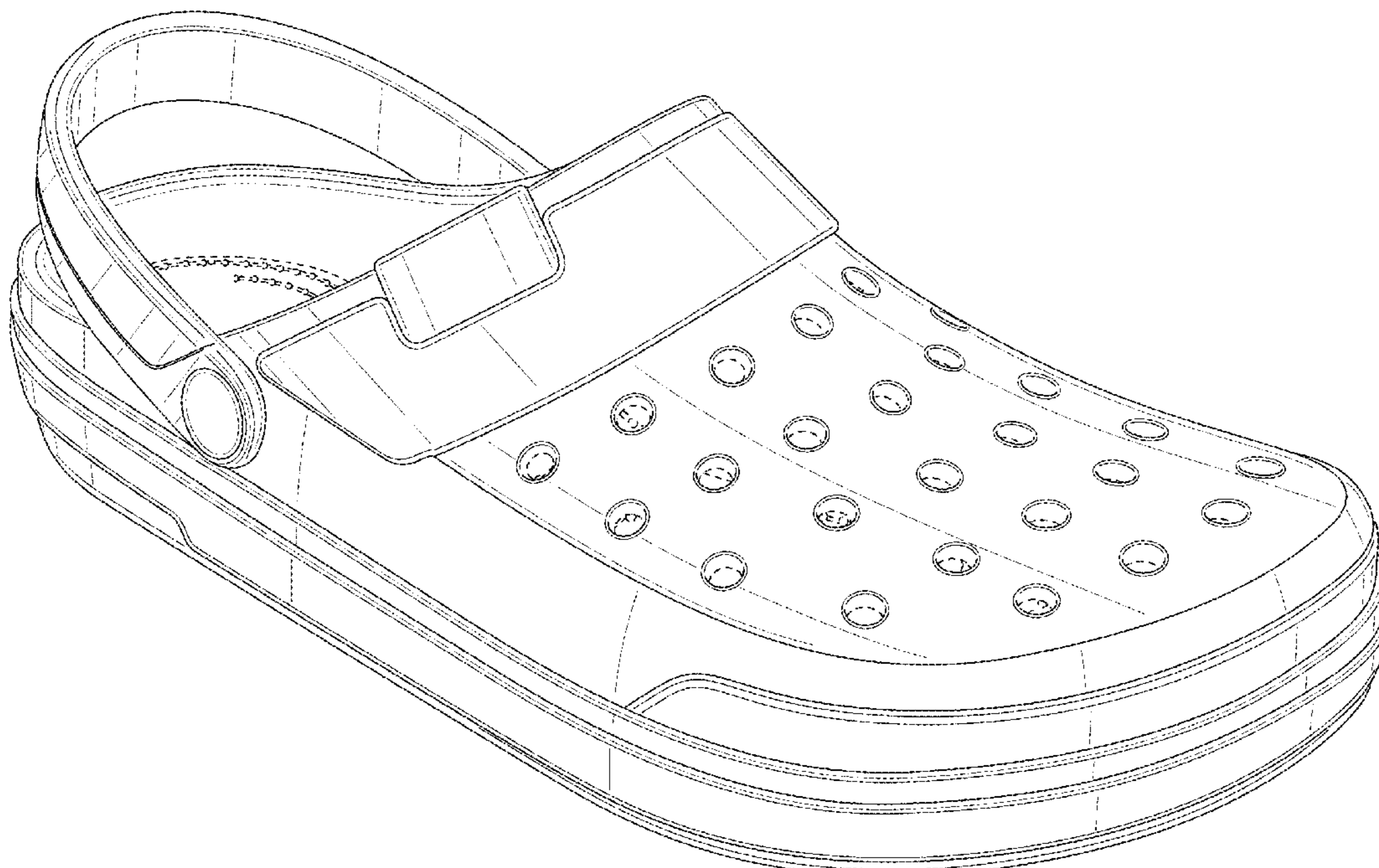
(57) **CLAIM**  
The ornamental design for footwear, as shown and described.

**DESCRIPTION**

FIG. 1 is a front perspective view of footwear;  
FIG. 2 is a front view thereof;  
FIG. 3 is a back view thereof;  
FIG. 4 is an outer side view thereof;  
FIG. 5 is an inner side view thereof;  
FIG. 6 is a top view thereof; and,  
FIG. 7 is a bottom view thereof.  
The elements shown in FIGS. 1-7 in broken lines represent unclaimed subject matter and form no part of the claimed design. The inside surface of the shoe forms no part of the claimed design.

(56) **References Cited**  
U.S. PATENT DOCUMENTS  
D517,789 S 3/2006 Seamans  
D543,341 S 5/2007 Seamans  
D590,588 S 4/2009 Del Biondi et al.  
D610,784 S \* 3/2010 Del Biondi ..... D2/916  
D642,773 S \* 8/2011 Liow ..... D2/896  
D650,157 S \* 12/2011 Liow ..... D2/923  
D667,612 S 9/2012 Del Biondi et al.  
D691,351 S \* 10/2013 Pugazhenthhi ..... D2/896

**1 Claim, 7 Drawing Sheets**



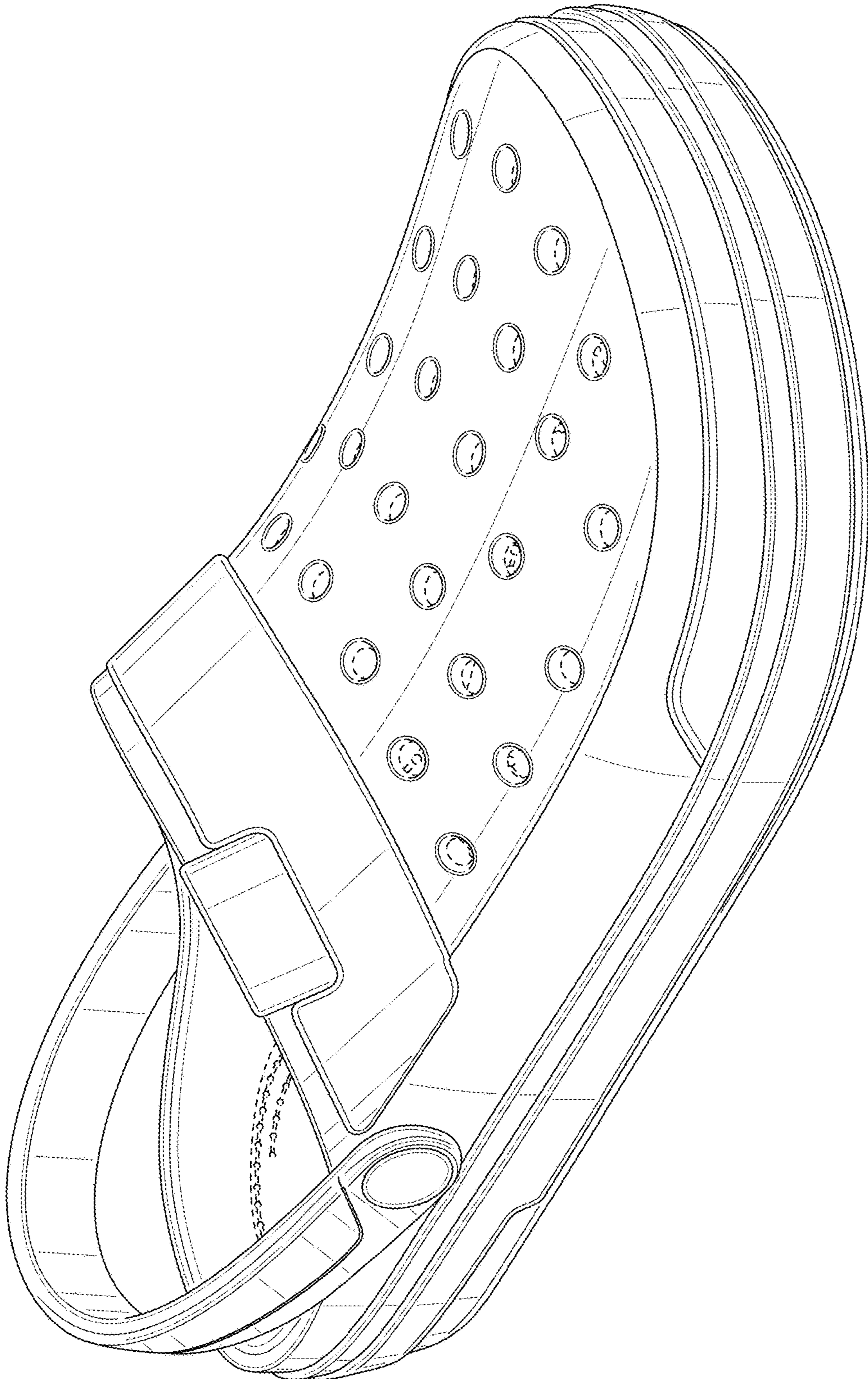


FIG. 1



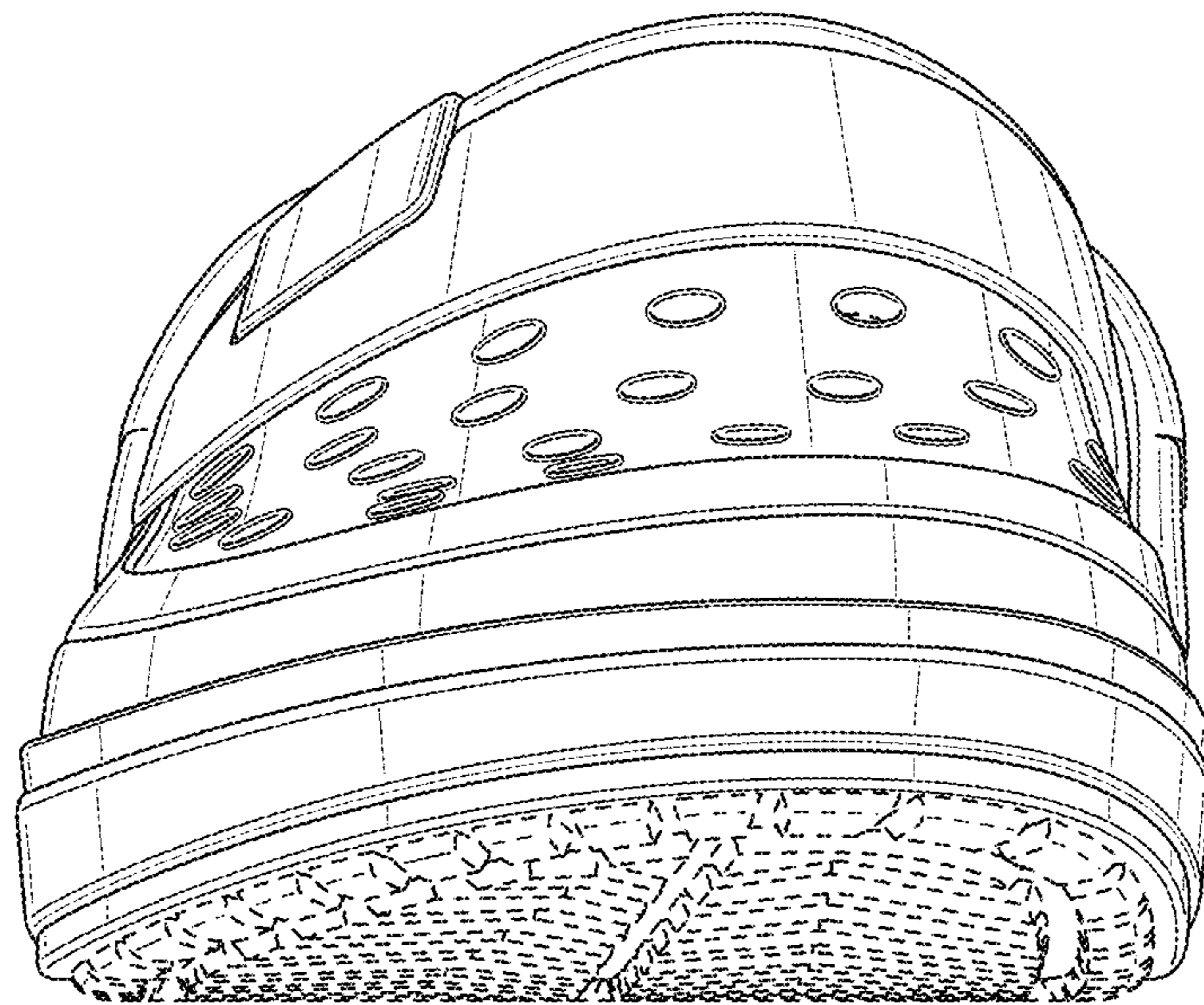


FIG. 2

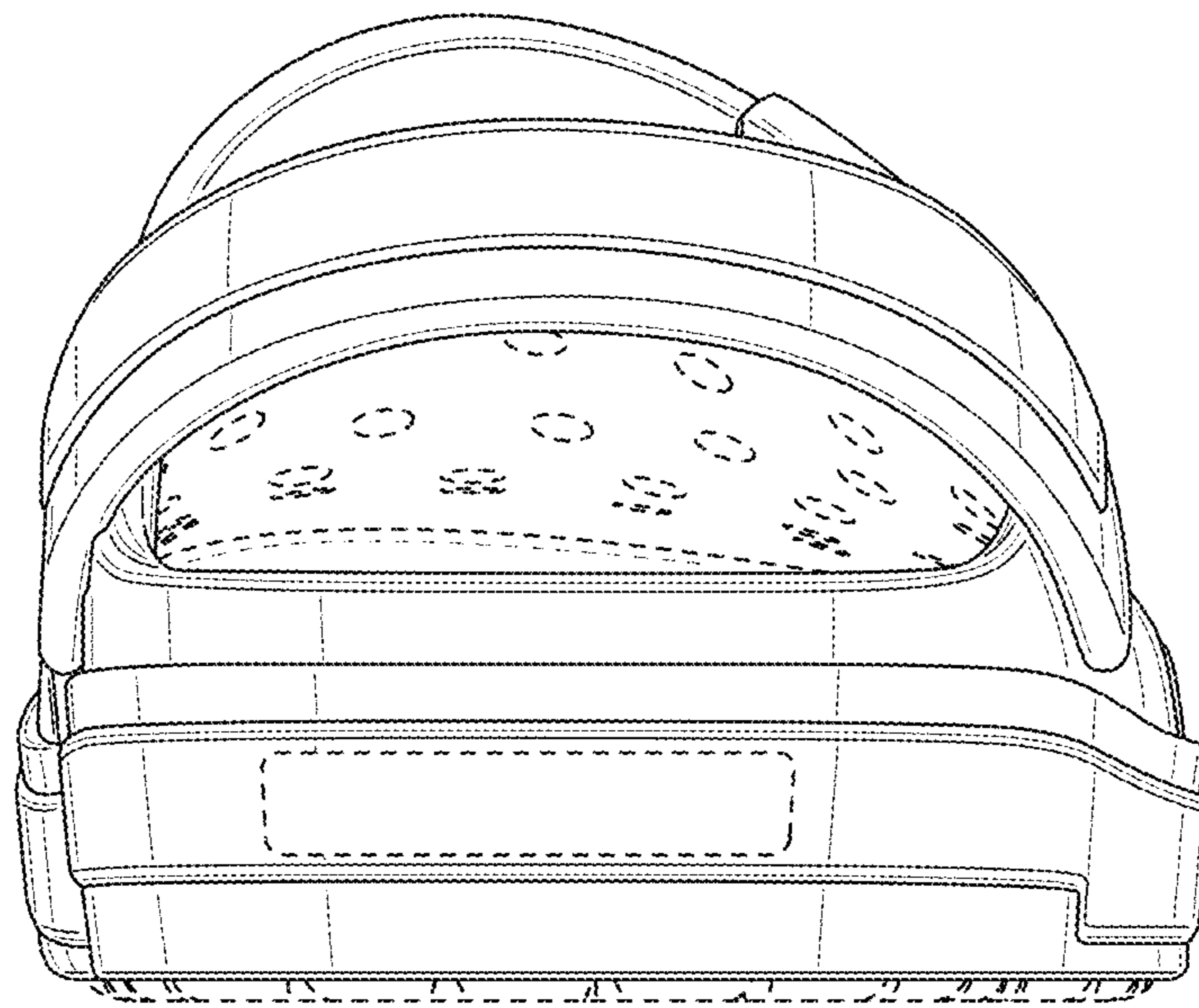


FIG. 3

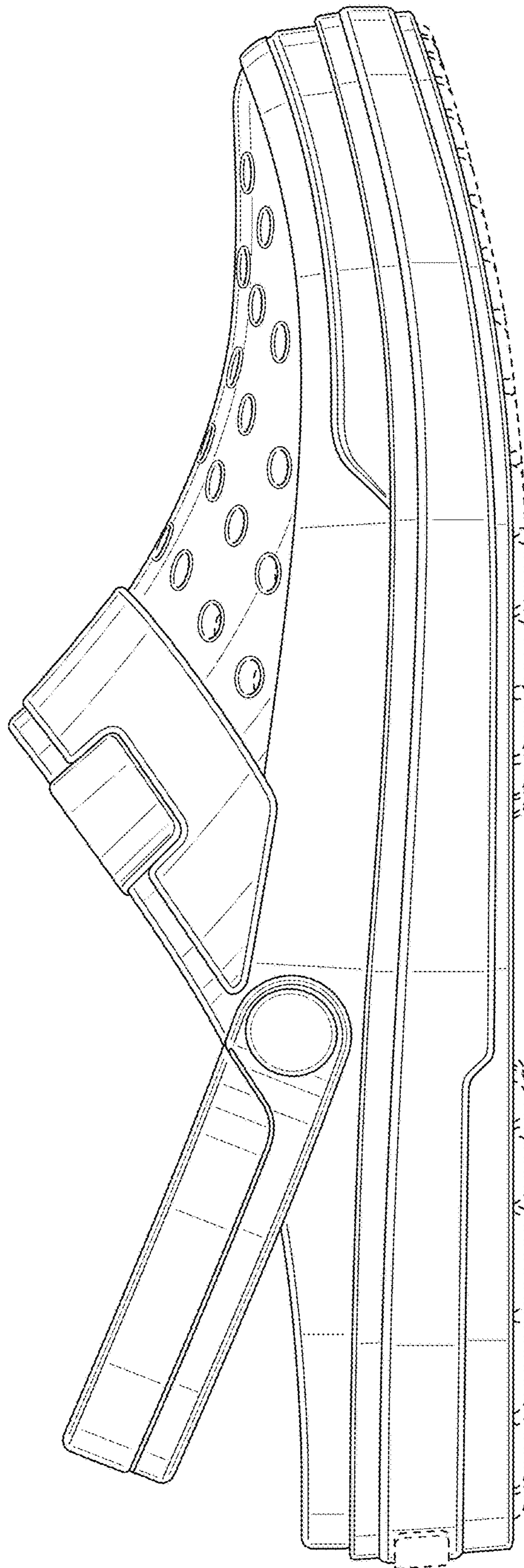


FIG. 4

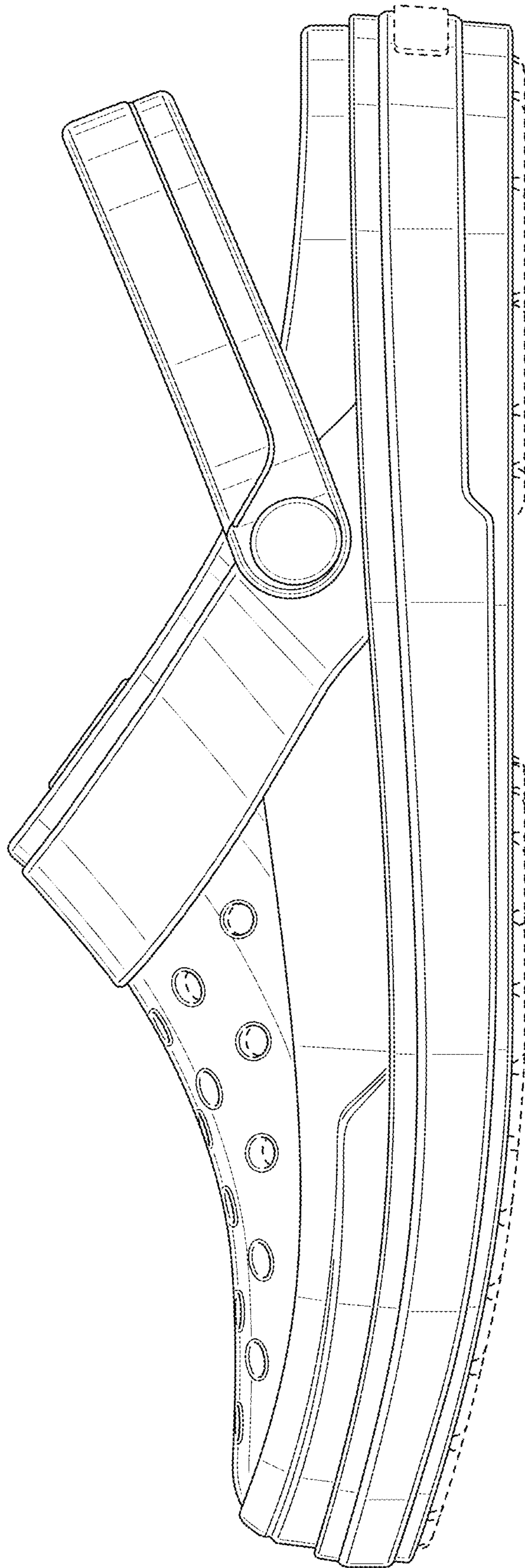


FIG. 5



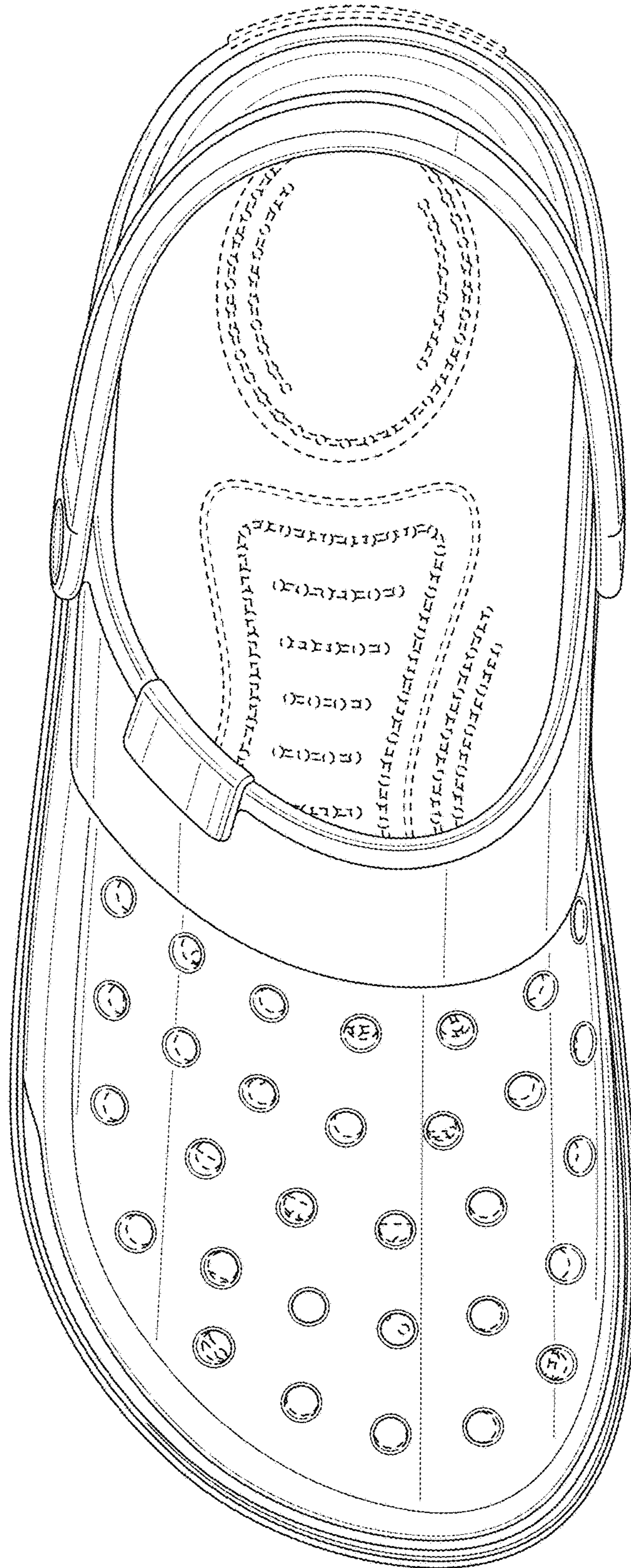


FIG. 6

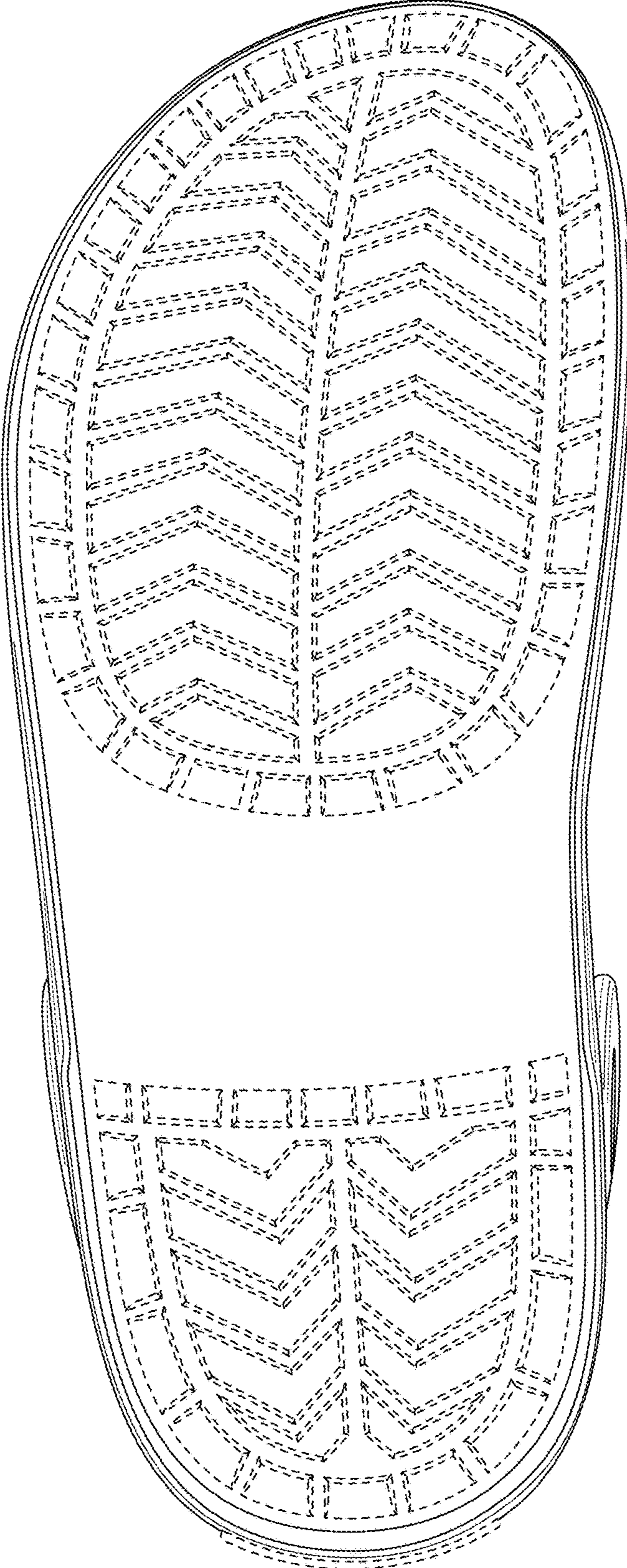


FIG. 7