



US00D830674S

(12) **United States Design Patent**
Thompson

(10) **Patent No.:** **US D830,674 S**
(45) **Date of Patent:** **** Oct. 16, 2018**

- (54) **FOOTWEAR**
- (71) Applicant: **Crocs, Inc.**, Niwot, CO (US)
- (72) Inventor: **Holly Thompson**, Loveland, CO (US)
- (73) Assignee: **Crocs, Inc.**, Niwot, CO (US)
- (**) Term: **15 Years**
- (21) Appl. No.: **29/571,943**
- (22) Filed: **Jul. 22, 2016**
- (51) **LOC (11) Cl.** **02-04**
- (52) **U.S. Cl.**
USPC **D2/918; D2/917**
- (58) **Field of Classification Search**
USPC D2/896-900, 903, 916-925, 925-927,
D2/943, 946, 969, 971, 976
CPC A43B 3/12; A43B 3/26; A43B 3/00; A43B
3/105; A43B 3/10; A43B 3/128; A43B
3/103
See application file for complete search history.

D576,388 S	9/2008	Del Biondi et al.	
D576,389 S	9/2008	Del Biondi et al.	
D578,279 S	10/2008	Del Biondi et al.	
D599,098 S *	9/2009	Issler	D2/971
D599,101 S *	9/2009	Issler	D2/971
D599,535 S	9/2009	Del Biondi et al.	
D602,234 S *	10/2009	Feller	D2/917
7,681,331 B2	3/2010	Bathum	
D688,852 S *	9/2013	Garvie	D2/918
D693,100 S *	11/2013	Dushey	D2/917
D719,323 S	12/2014	Santos	
D724,823 S *	3/2015	Issler	D2/917
D725,351 S *	3/2015	Tref	D2/918
9,032,644 B1 *	5/2015	Koo	A43B 5/00 36/11.5
D735,979 S	8/2015	Santos	
D739,648 S	9/2015	Engerman	
D741,053 S	10/2015	Fongher et al.	

* cited by examiner

Primary Examiner — Holly H Baynham
Assistant Examiner — Rashida C. Walshon
(74) *Attorney, Agent, or Firm* — Wilmer Cutler Pickering
Hale and Dorr LLP

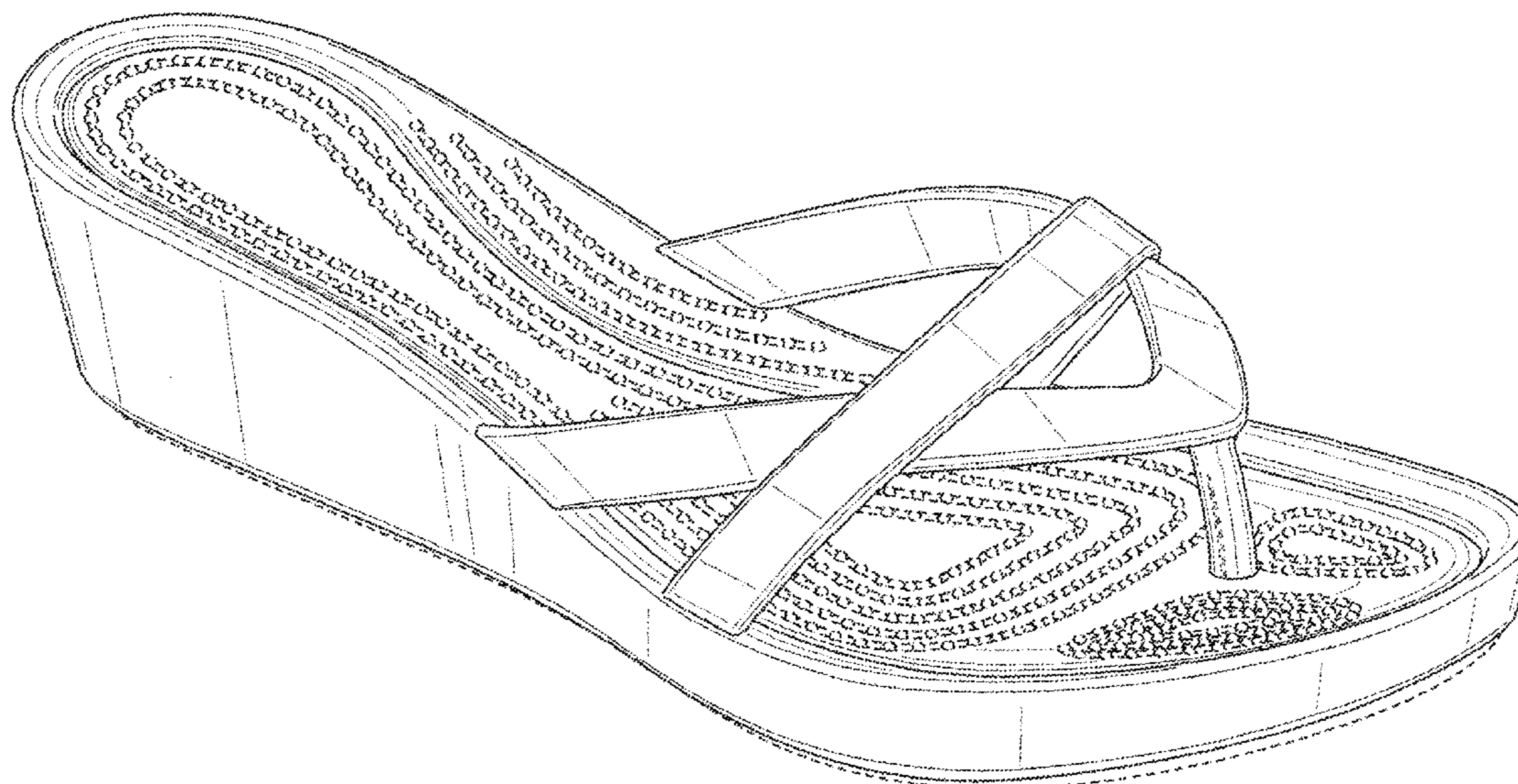
(57) **CLAIM**

The ornamental design for footwear, as shown and described.

DESCRIPTION

FIG. 1 is a front perspective view of footwear;
FIG. 2 is a front view thereof;
FIG. 3 is a back view thereof;
FIG. 4 is an outer side view thereof;
FIG. 5 is an inner side view thereof;
FIG. 6 is a top view thereof; and,
FIG. 7 is a bottom view thereof.
The broken lines in the drawings represent unclaimed sub-
ject matter and form no part of the claimed design.

1 Claim, 7 Drawing Sheets



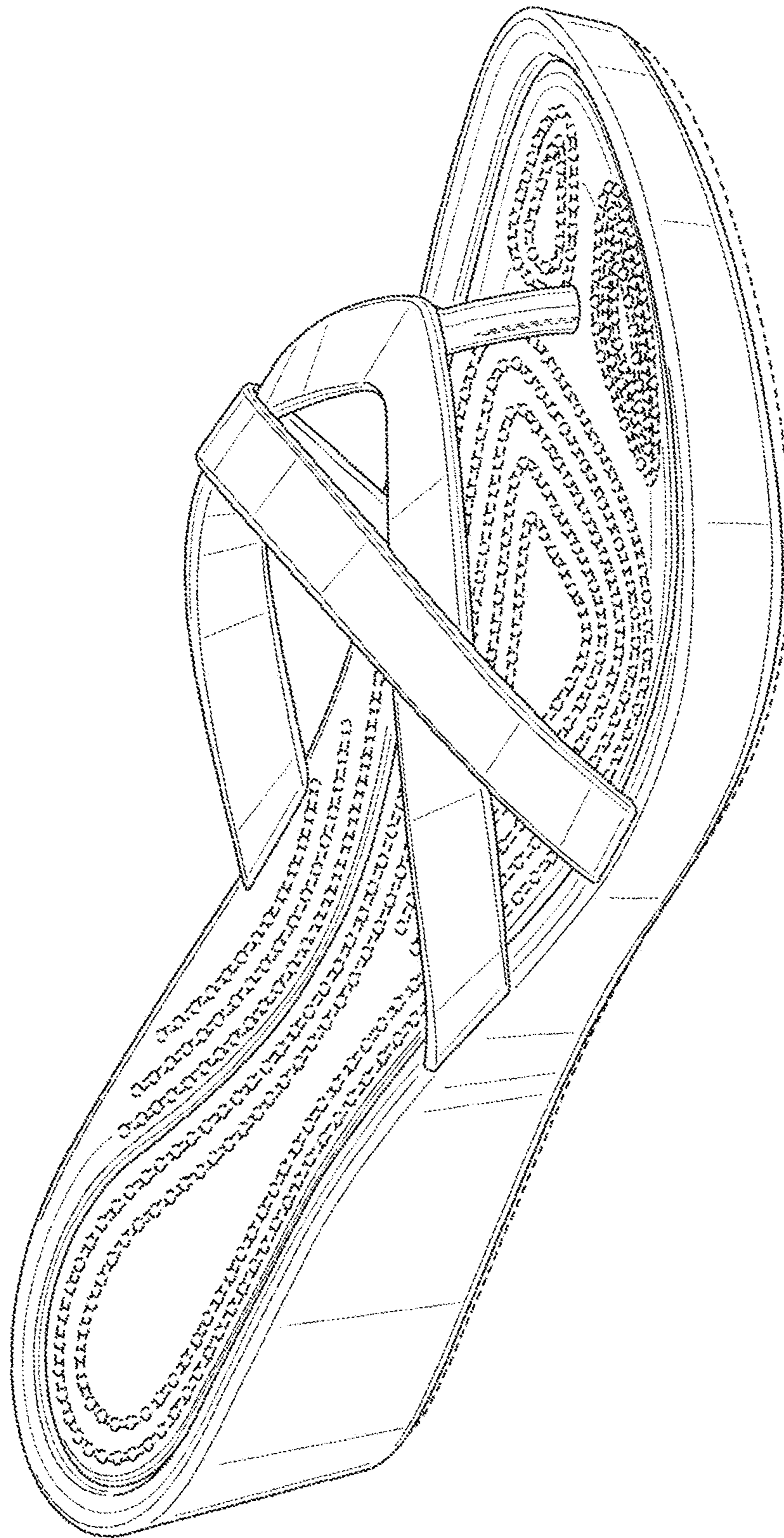


FIG. 1

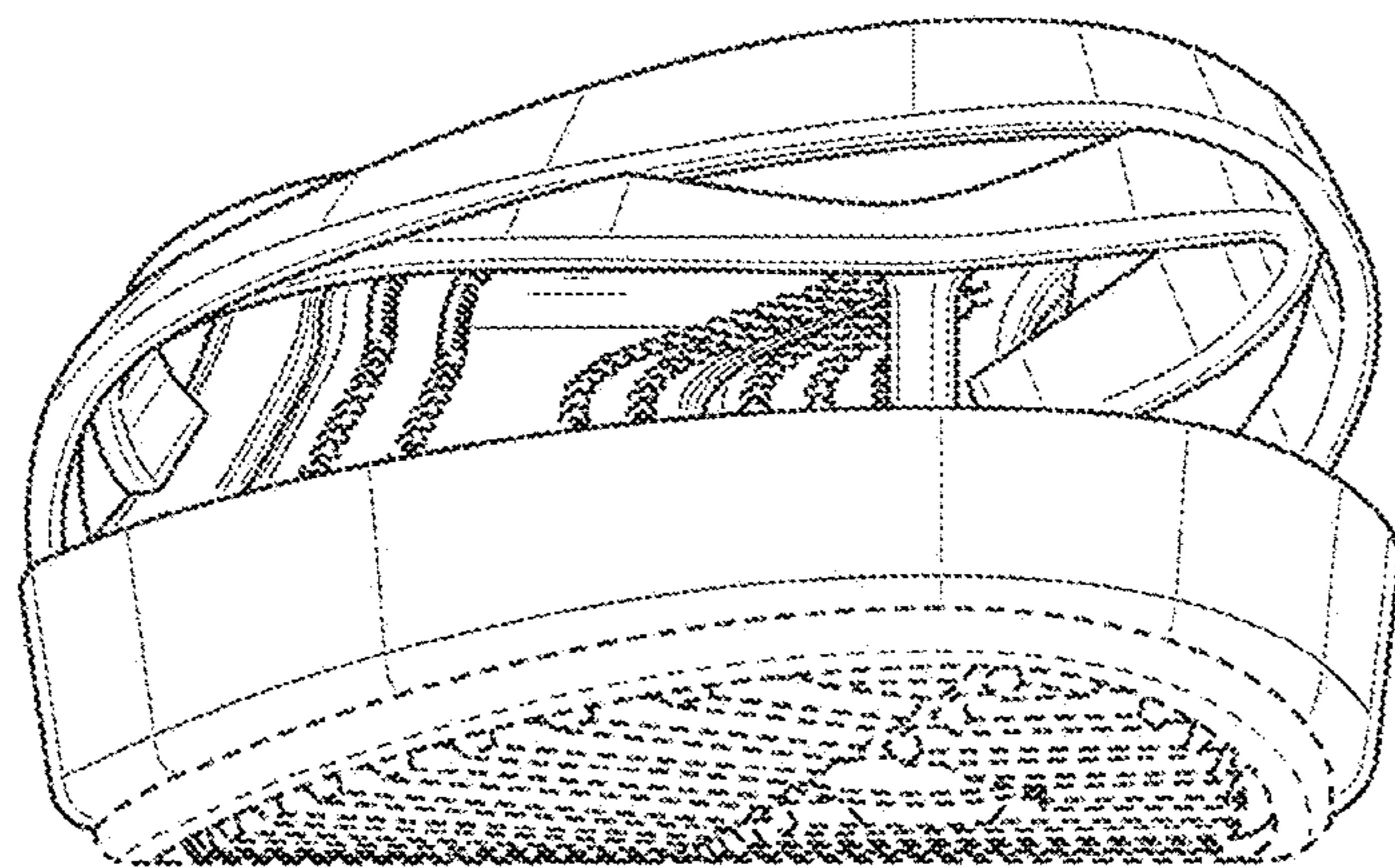


FIG. 2

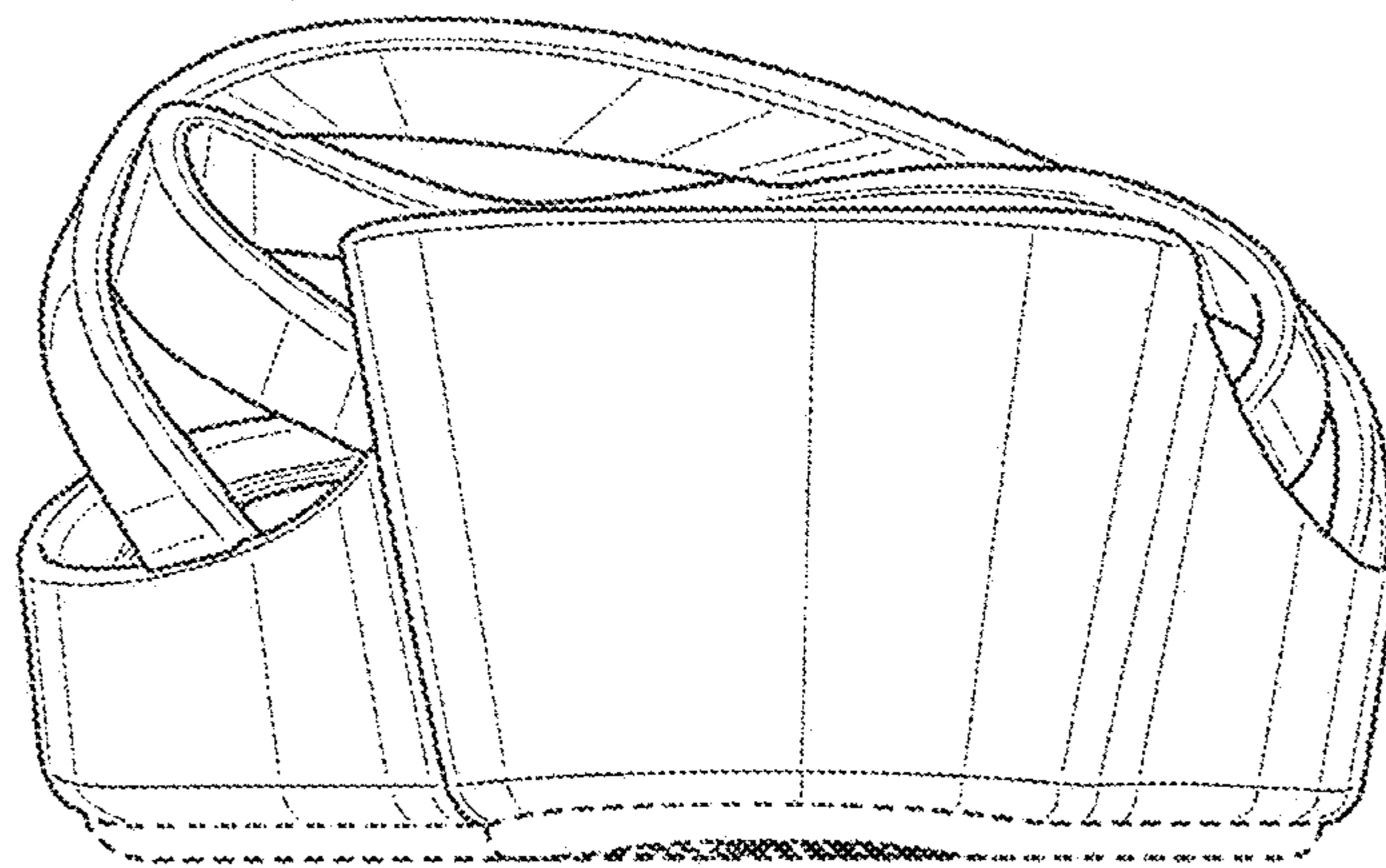


FIG. 3

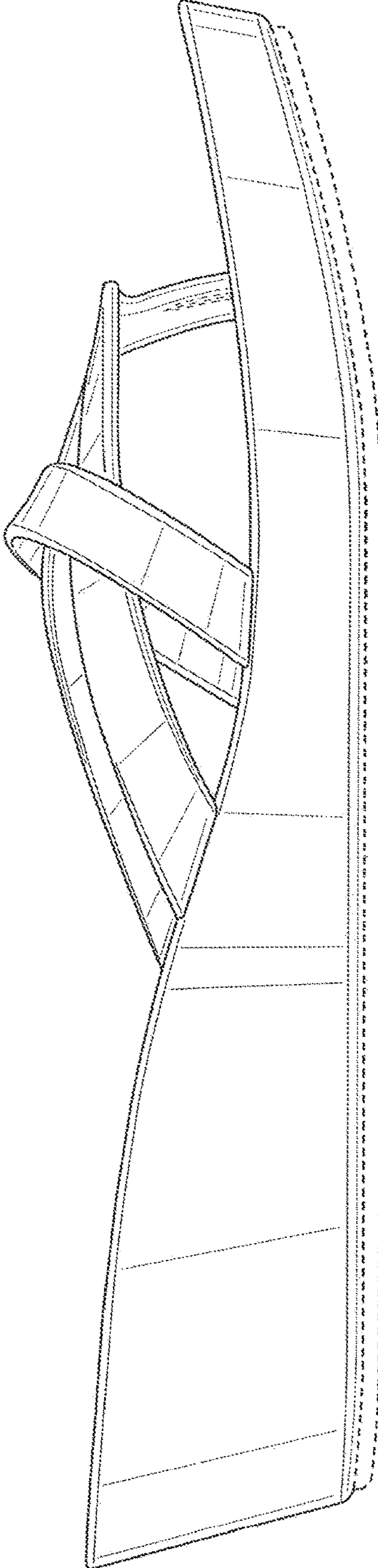


FIG. 4

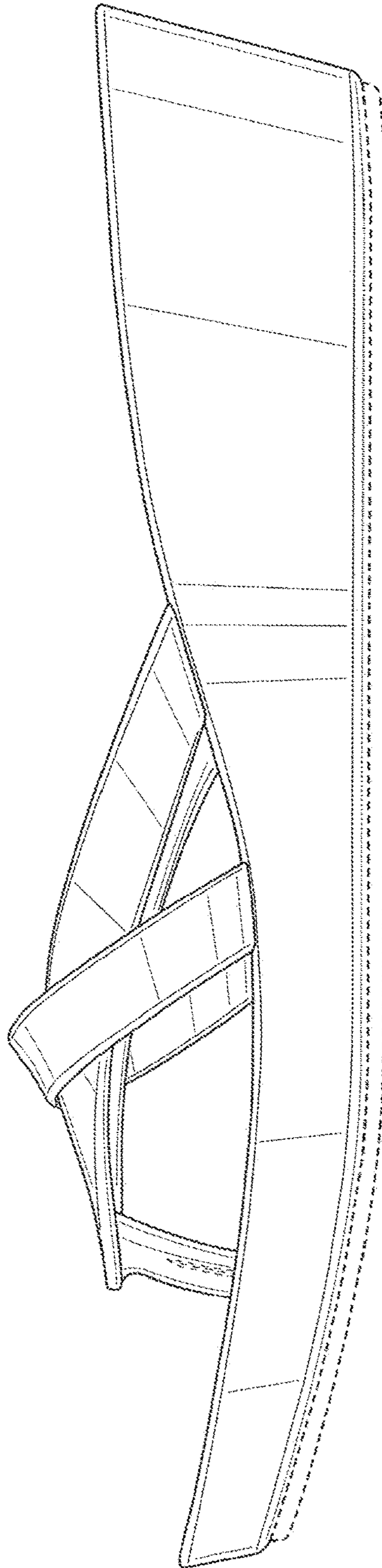


FIG. 5

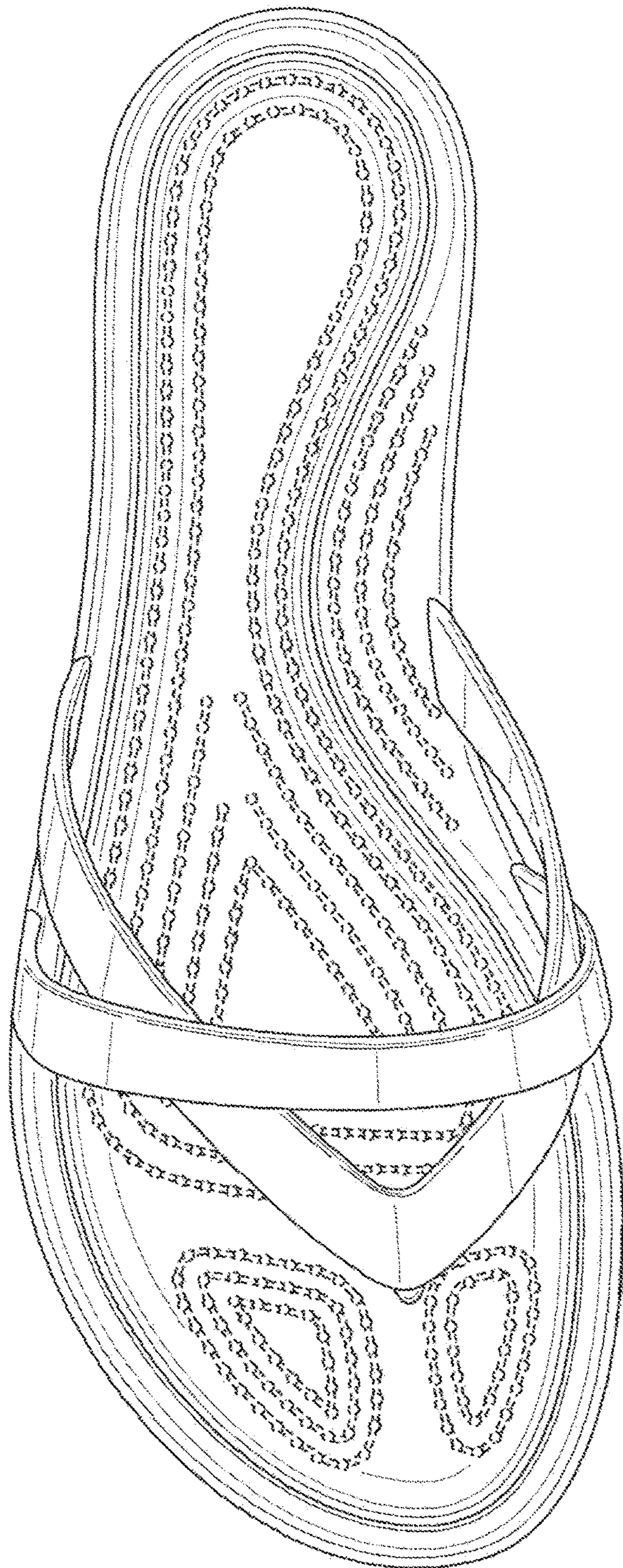


FIG. 6

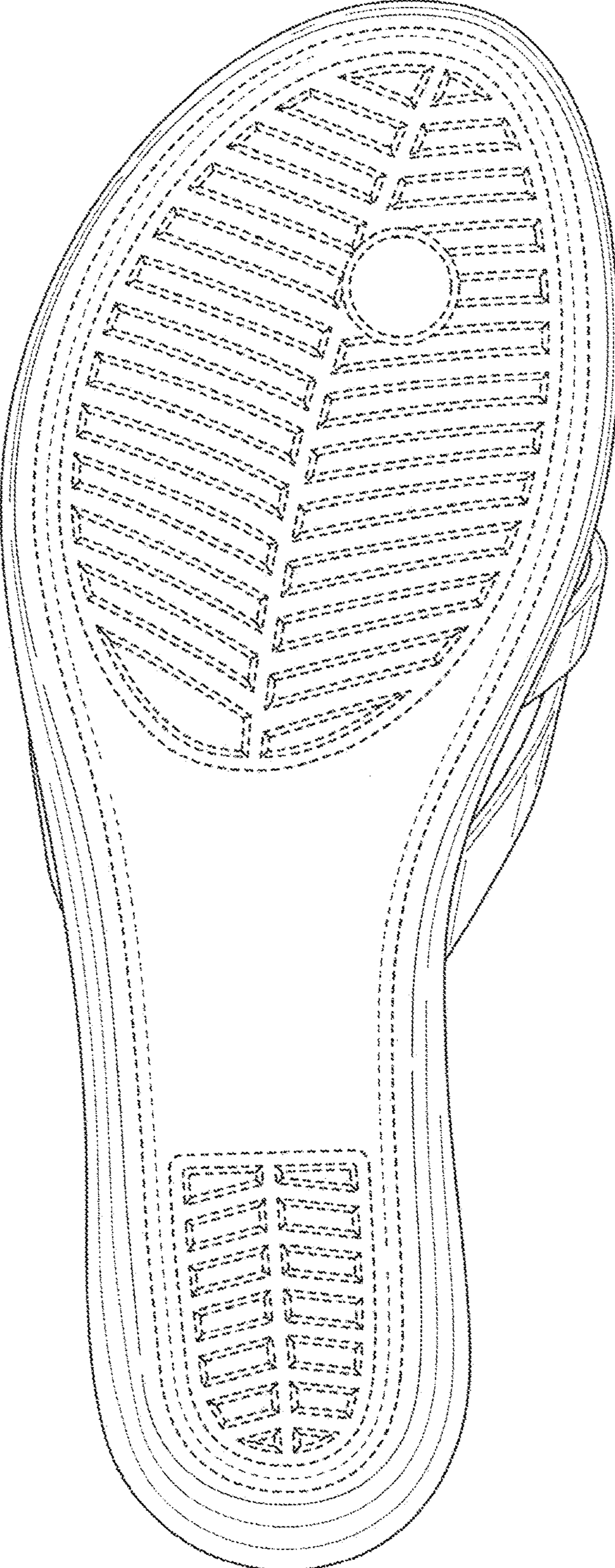


FIG. 7