



US00D830672S

(12) **United States Design Patent**
Olson

(10) **Patent No.:** **US D830,672 S**
(45) **Date of Patent:** **** Oct. 16, 2018**

(54) **BURP BIB SUPPORT**

(71) Applicant: **Lori L. Olson**, Omaha, NE (US)

(72) Inventor: **Lori L. Olson**, Omaha, NE (US)

(**) Term: **15 Years**

(21) Appl. No.: **29/592,794**

(22) Filed: **Feb. 2, 2017**

(51) **LOC (11) Cl.** **02-02**

(52) **U.S. Cl.**
USPC **D2/861**

(58) **Field of Classification Search**
USPC D2/860, 861
CPC A41B 13/103
See application file for complete search history.

(56) **References Cited**

U.S. PATENT DOCUMENTS

1,960,312	A *	5/1934	Landorf	A41D 27/18 2/133
3,597,763	A *	8/1971	Biennu	A41B 13/103 2/49.3
D274,671	S *	7/1984	Morge	D2/861
4,860,381	A *	8/1989	Bartley	A41B 13/103 2/49.3
5,285,940	A *	2/1994	Goulter	A45F 5/00 108/43
D448,143	S *	9/2001	Shealey	D2/860
7,032,248	B1 *	4/2006	Gutilla	A41B 13/10 2/49.1
7,080,810	B2 *	7/2006	Munjed	A61J 9/0669 248/102
7,806,305	B1 *	10/2010	Moore, Jr.	A45F 5/00 108/43
2014/0059733	A1	3/2014	Kassis		

* cited by examiner

Primary Examiner — Kevin K Rudzinski

(74) *Attorney, Agent, or Firm* — Dennis L. Thomte;
Thomte Patent Law Office LLC

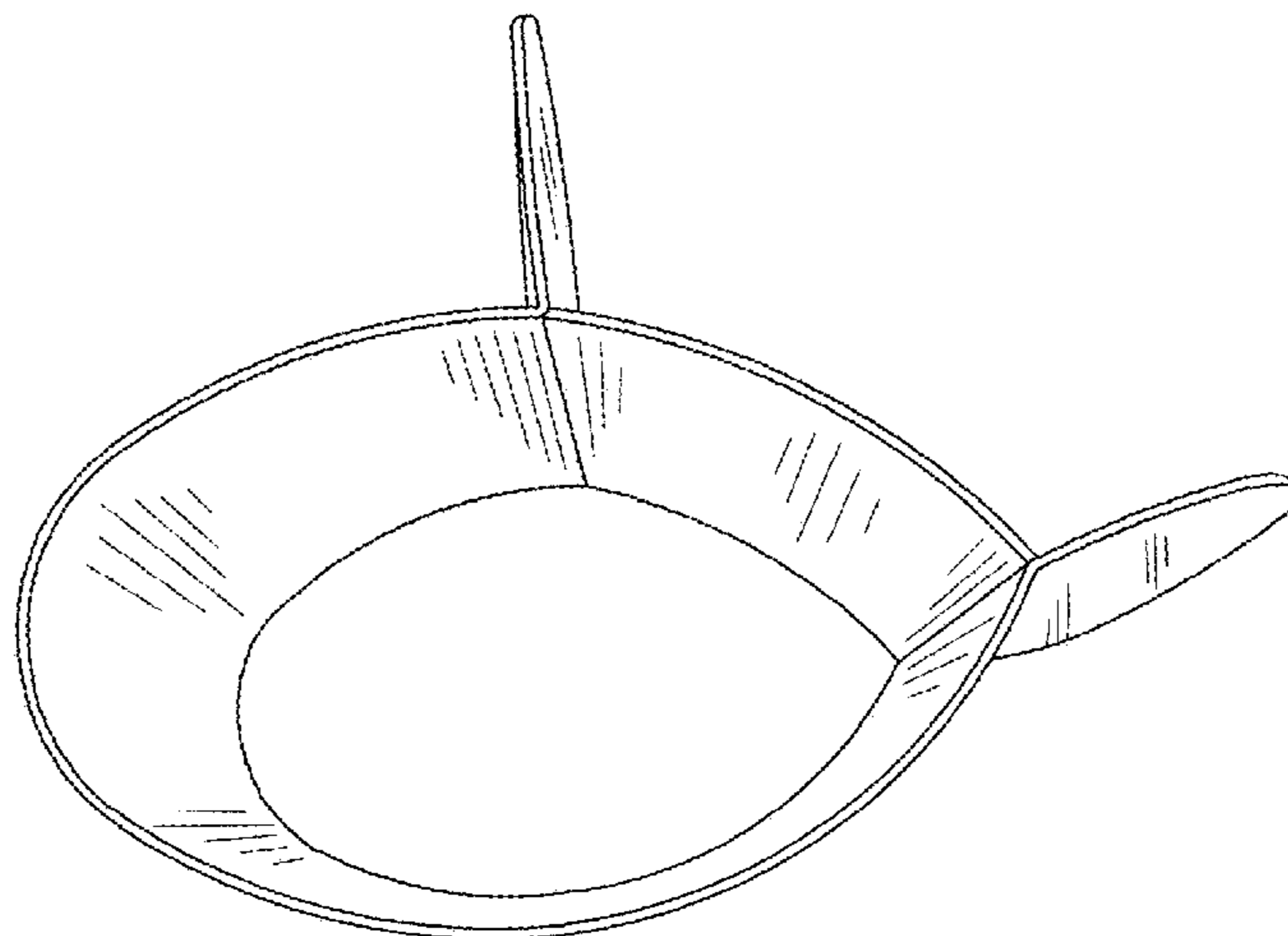
(57) **CLAIM**

The ornamental design for a burp bib support, as shown and described.

DESCRIPTION

FIG. 1 is an isometric view of the first embodiment of the burp bib support of this invention;
 FIG. 2 is a top view of the first embodiment of the burp bib support of this invention;
 FIG. 3 is a front view of the first embodiment of the burp bib support of this invention;
 FIG. 4 is side view of the first embodiment of the burp bib support of this invention;
 FIG. 5 is a back view of the first embodiment of the burp bib support of this invention;
 FIG. 6 is an opposite side view of the first embodiment of the burp bib support of this invention;
 FIG. 7 is bottom view of the first embodiment of the burp bib support of this invention;
 FIG. 8 is an isometric view of the second embodiment of the burp bib support of this invention;
 FIG. 9 is a top view of the second embodiment of the burp bib support of this invention;
 FIG. 10 is a front view of the second embodiment of the burp bib support of this invention;
 FIG. 11 is a side view of the second embodiment of the burp bib support of this invention;
 FIG. 12 is a back view of the second embodiment of the burp bib support of this invention;
 FIG. 13 is an opposite side view of the second embodiment of the burp bib support of this invention; and,
 FIG. 14 is a bottom view of the second embodiment of the burp bib support of this invention.

1 Claim, 8 Drawing Sheets



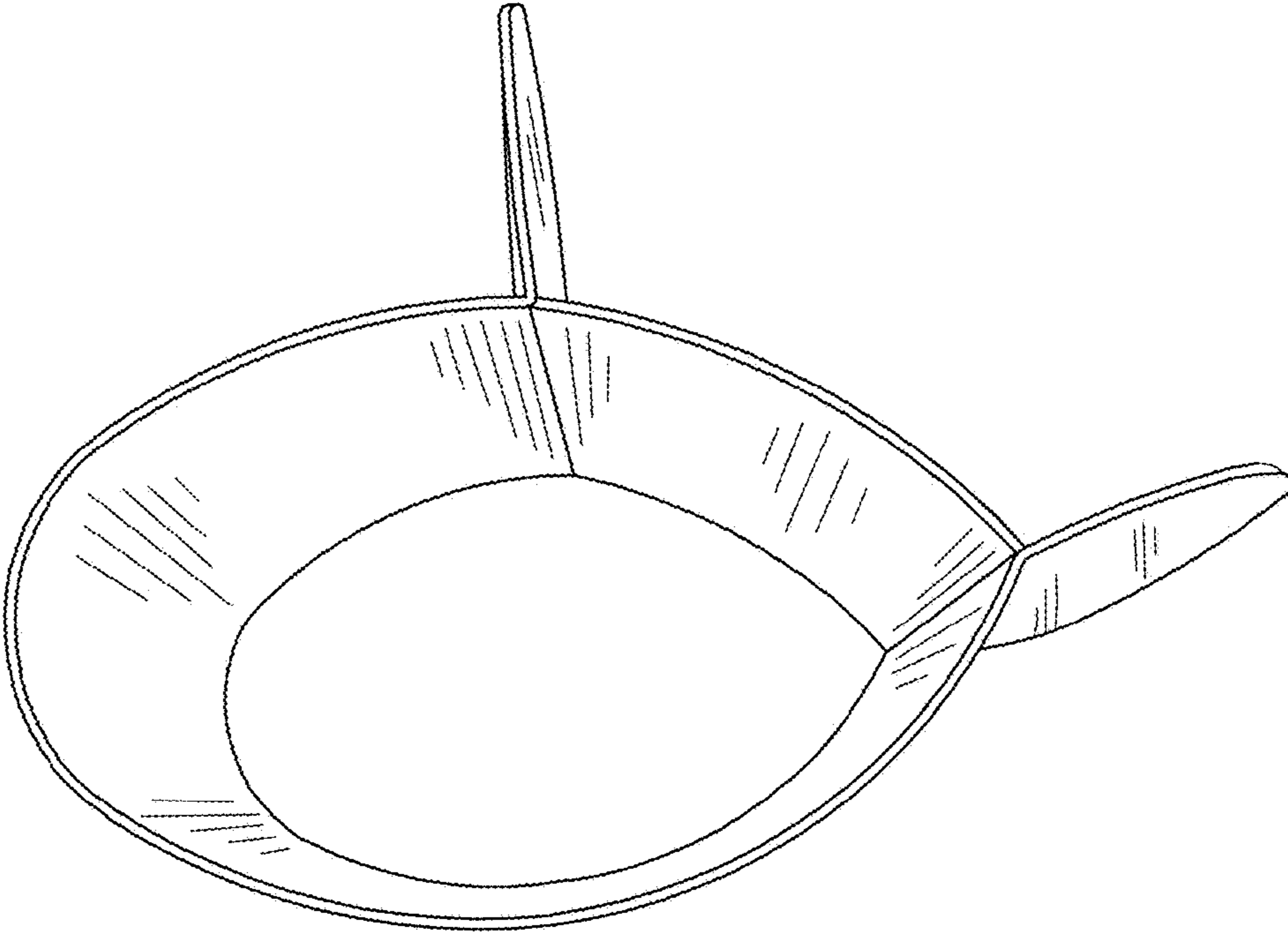


FIG. 1

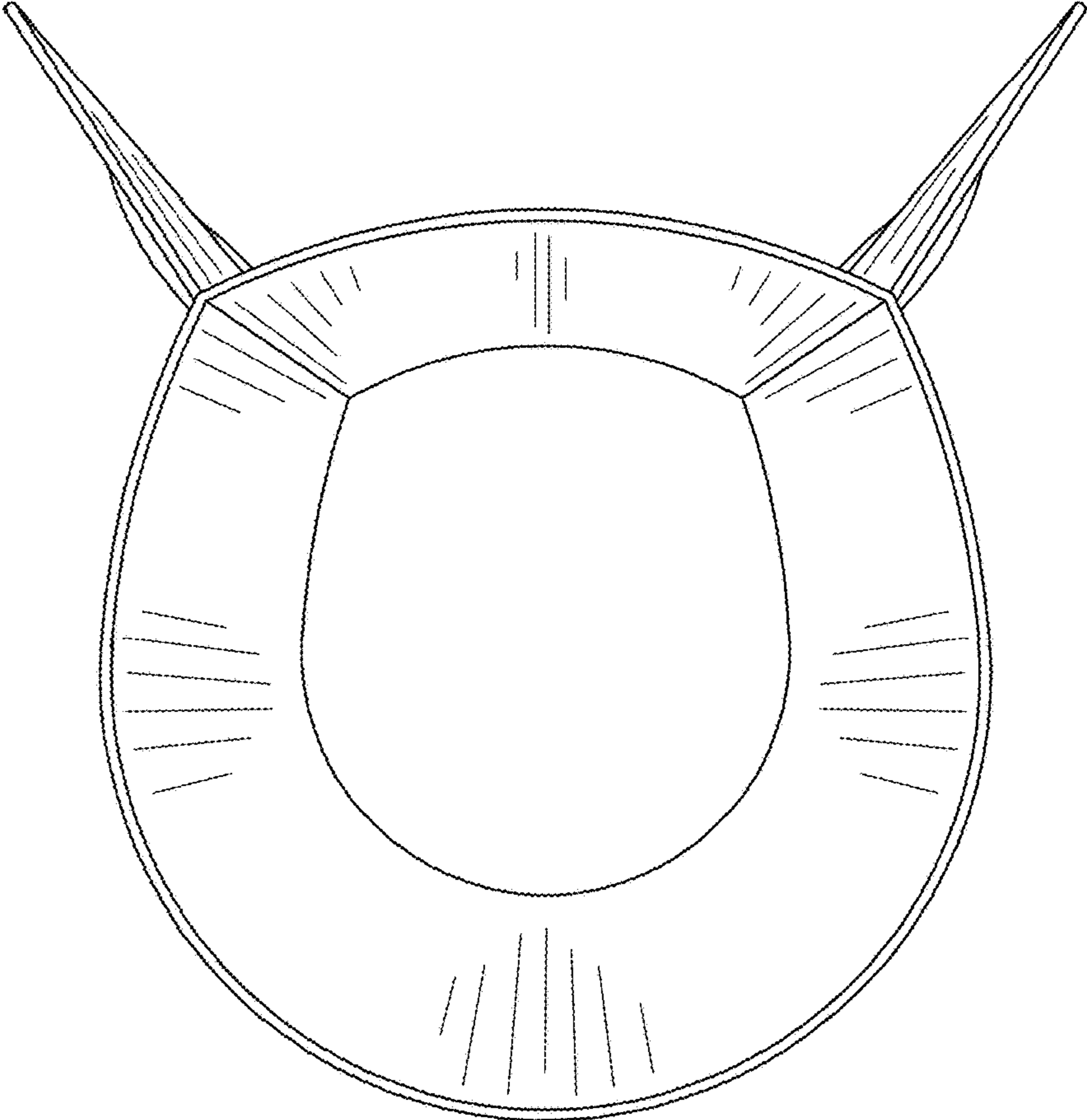


FIG. 2

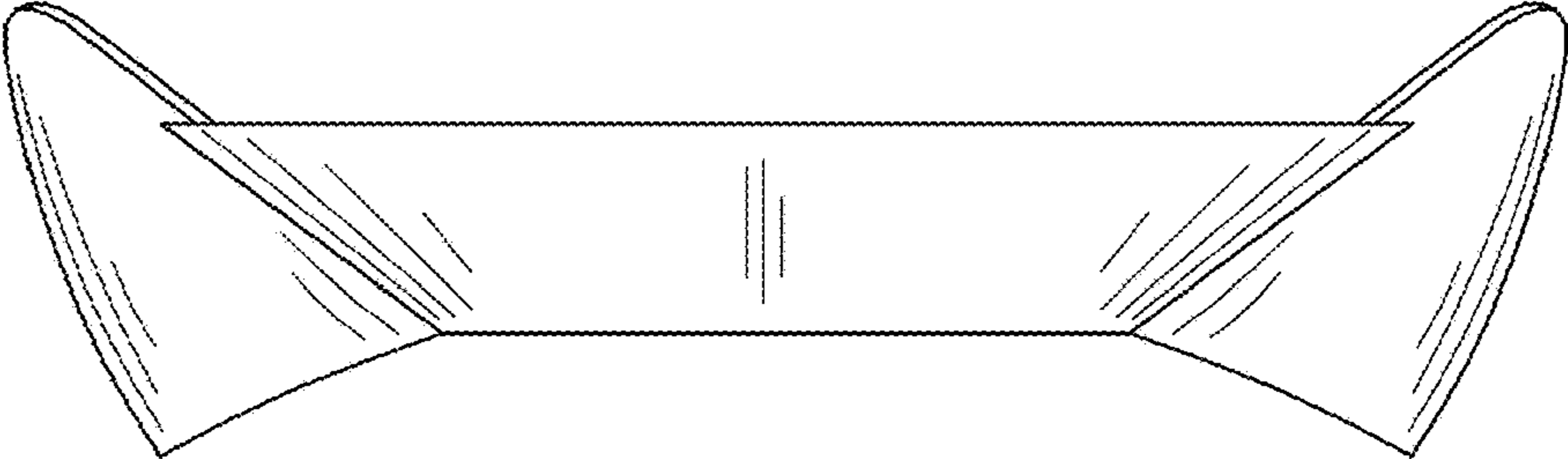


FIG. 3

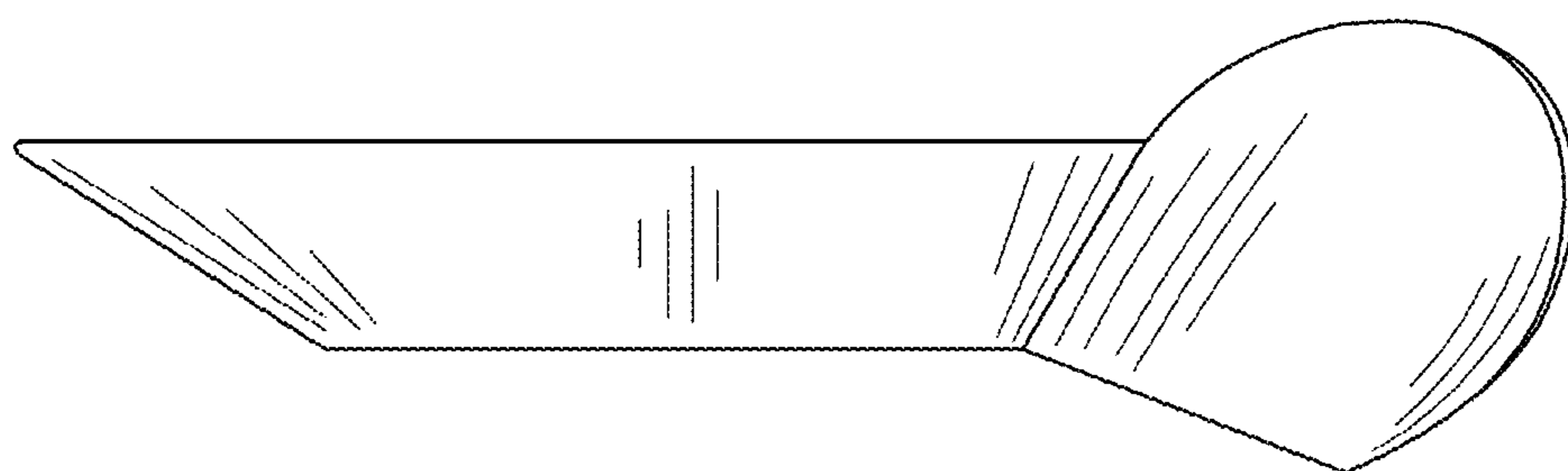


FIG. 4

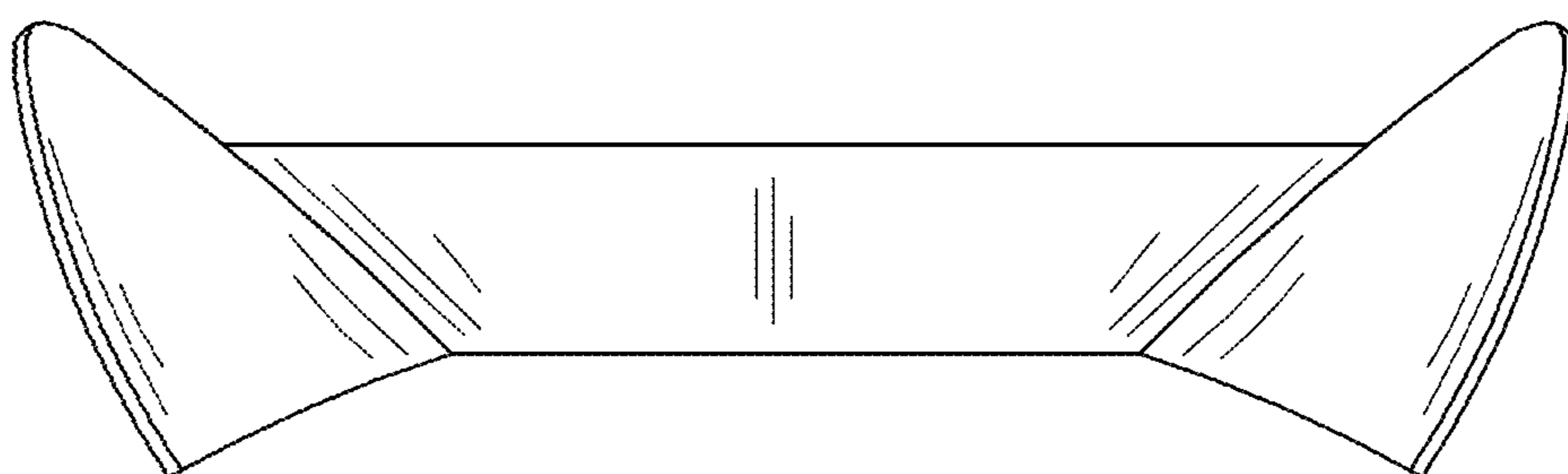


FIG. 5

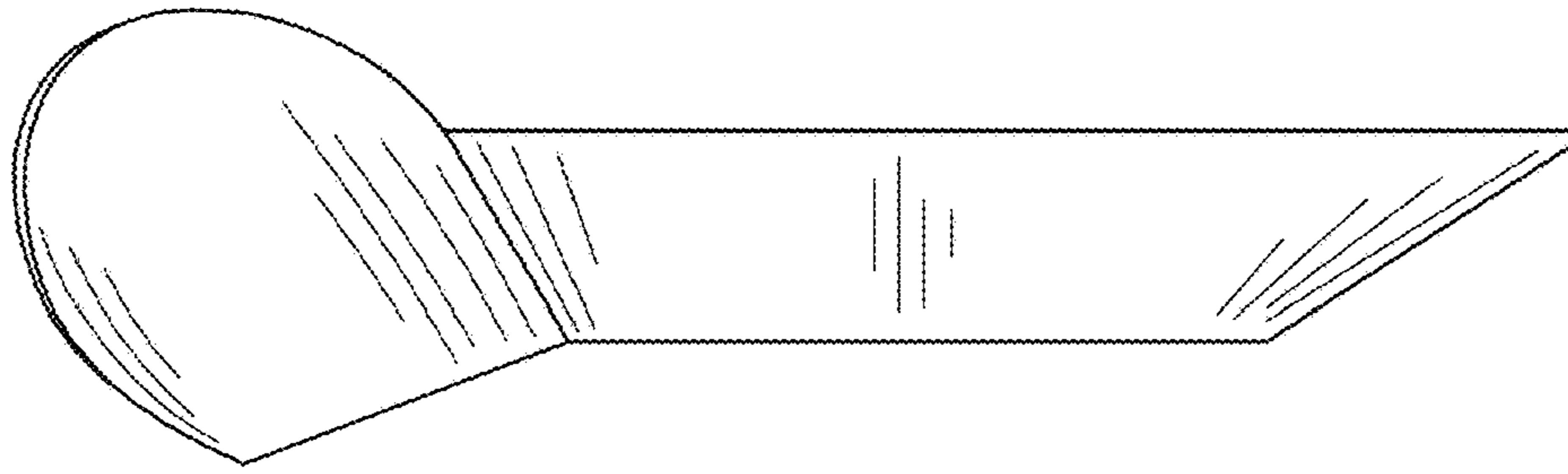


FIG. 6

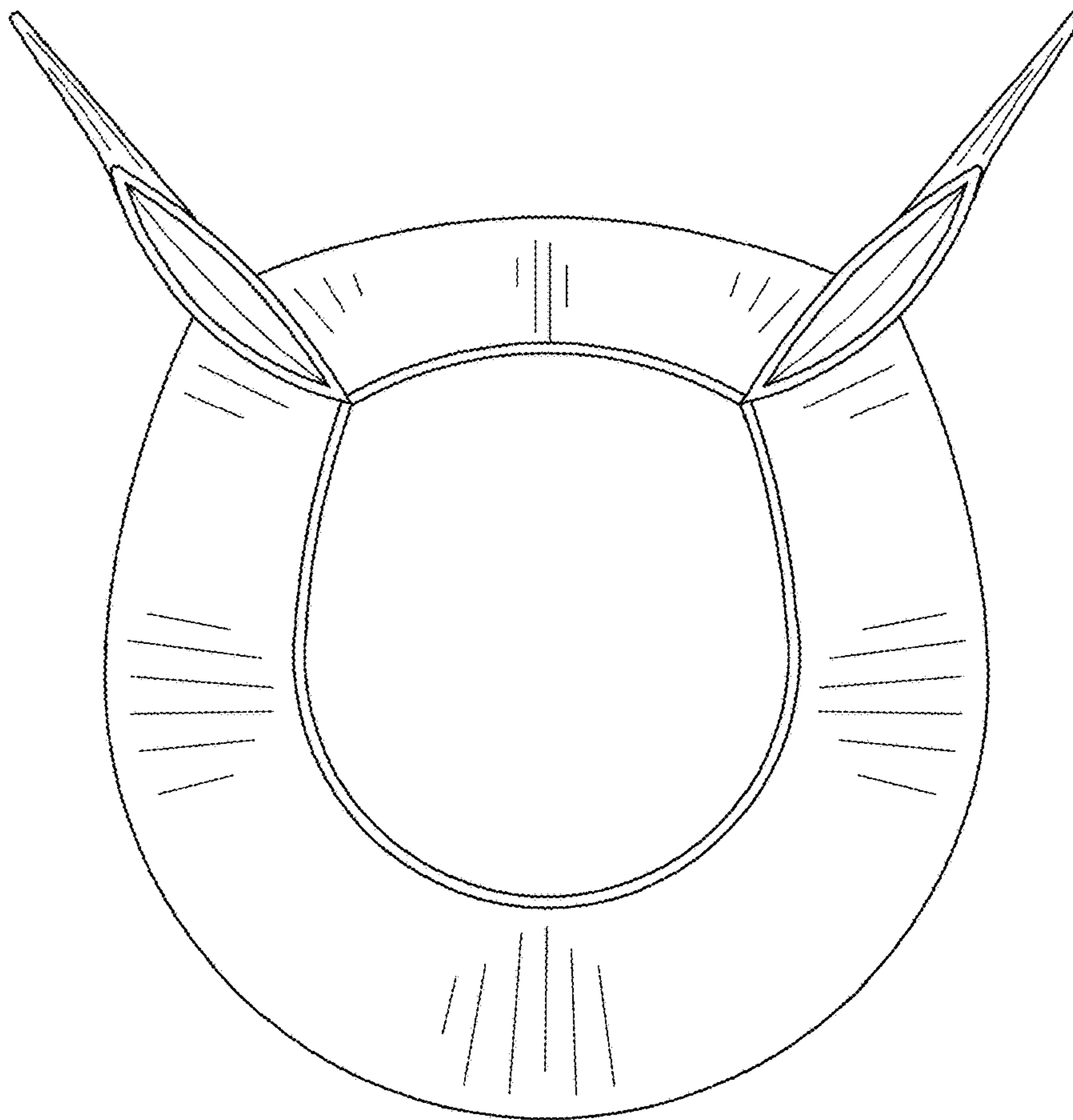


FIG. 7

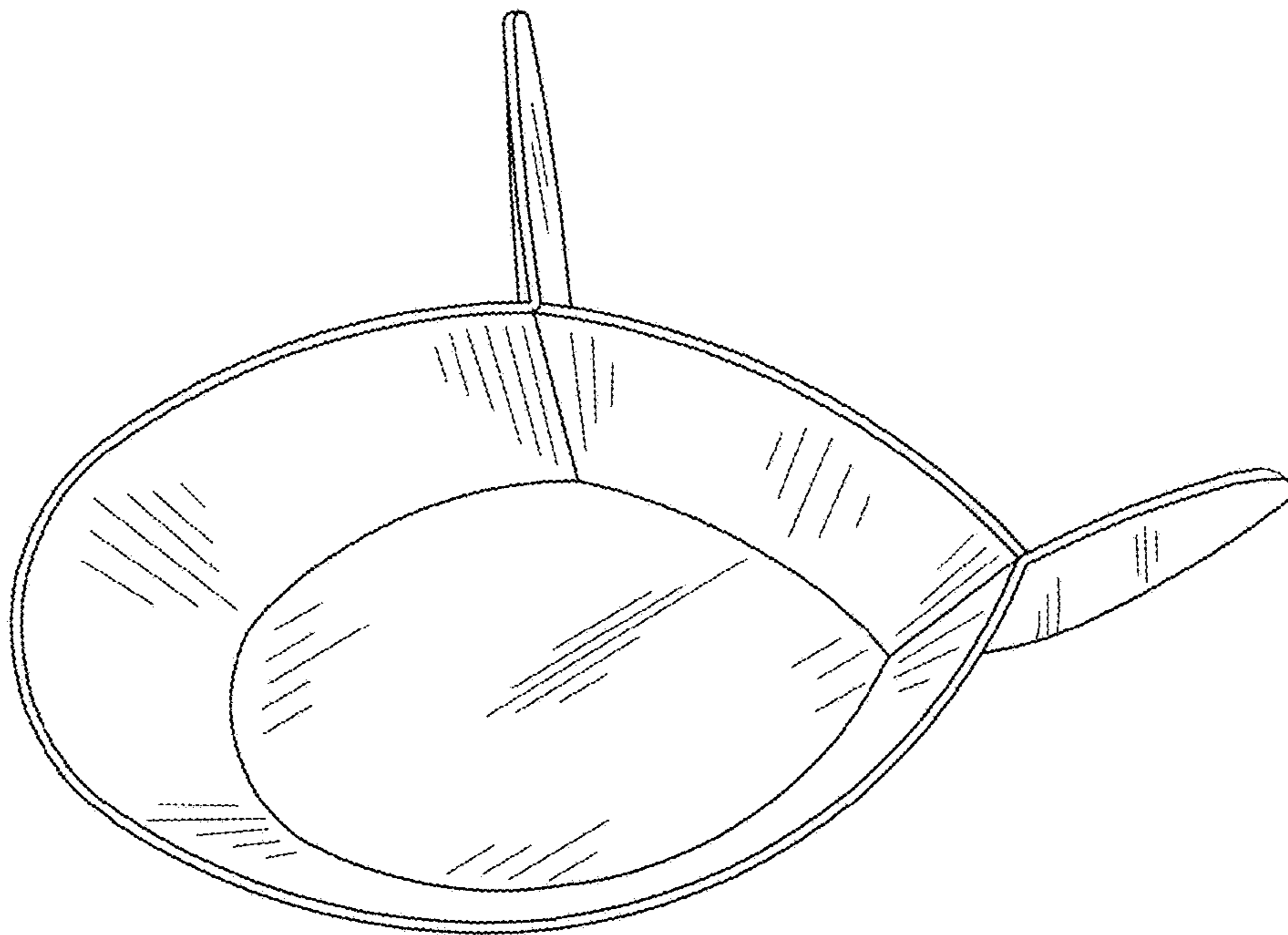


FIG. 8

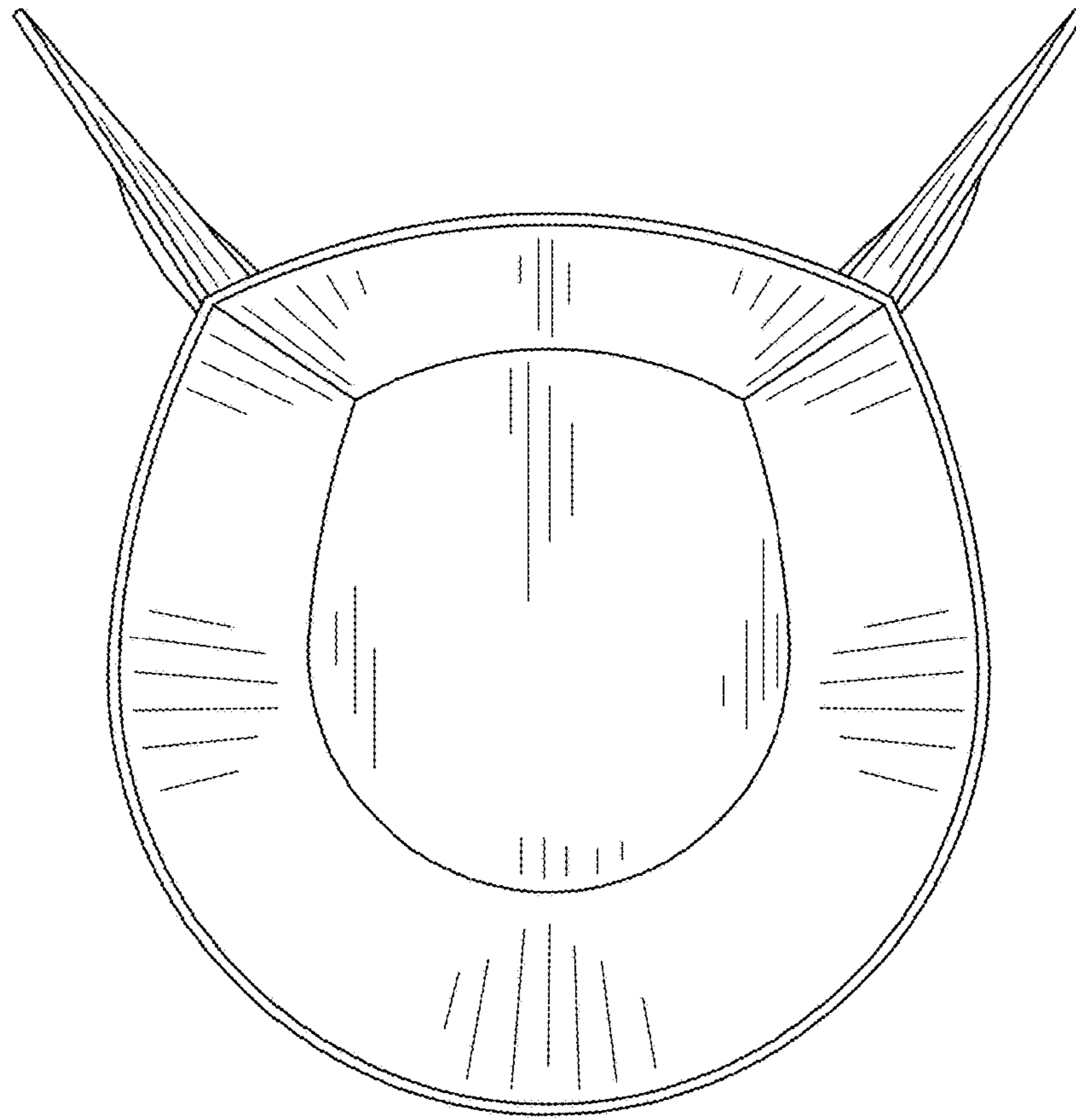


FIG. 9

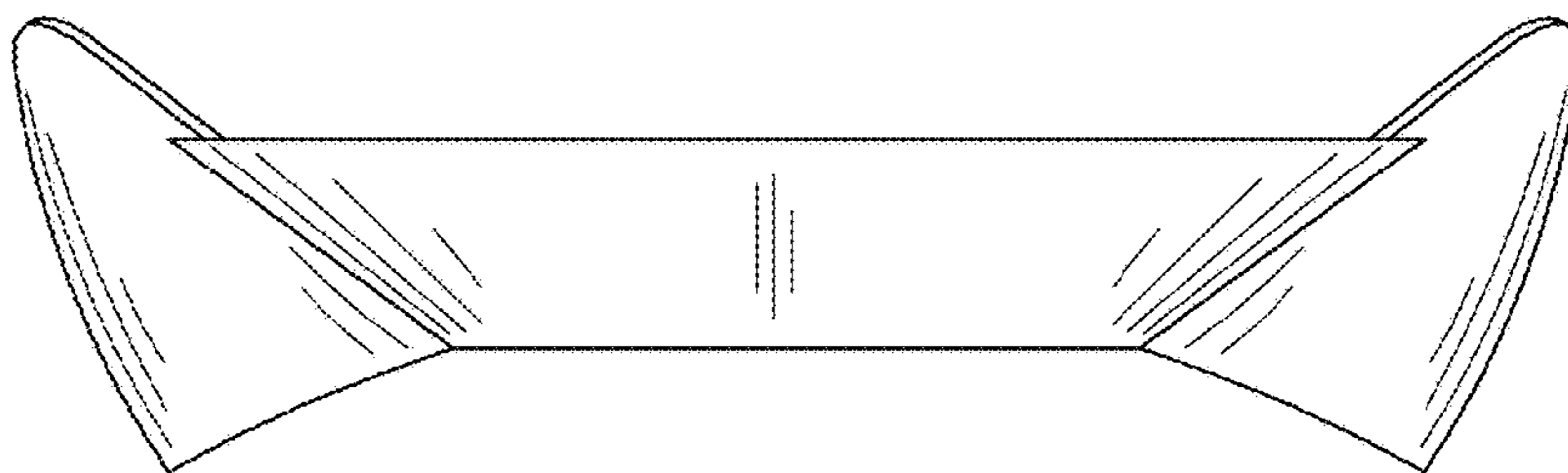


FIG. 10

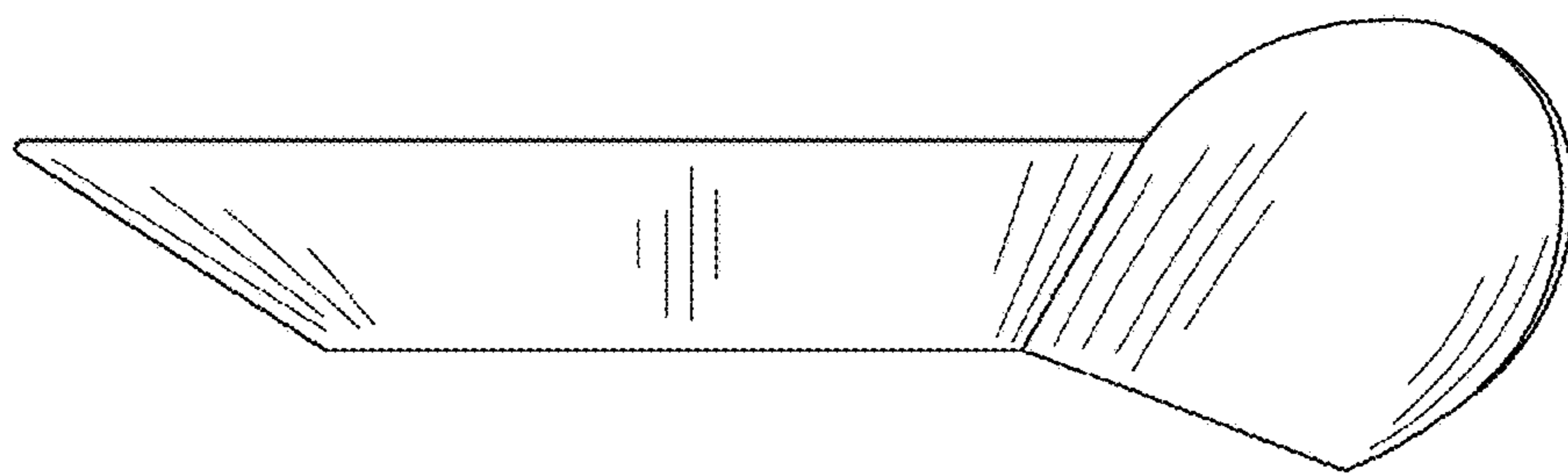


FIG. 11

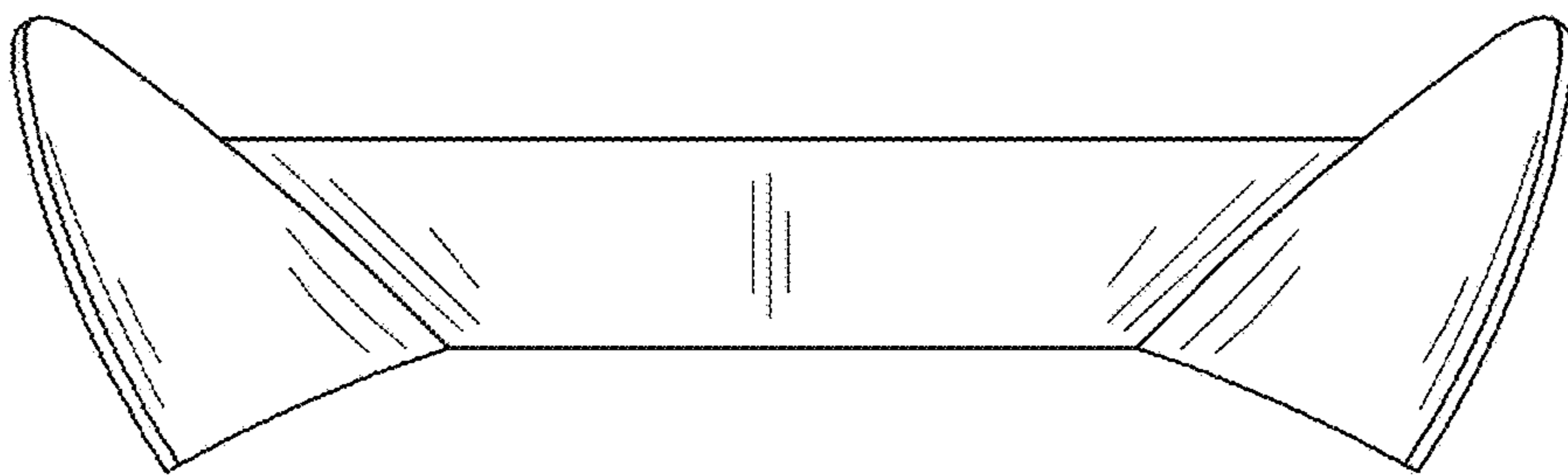


FIG. 12

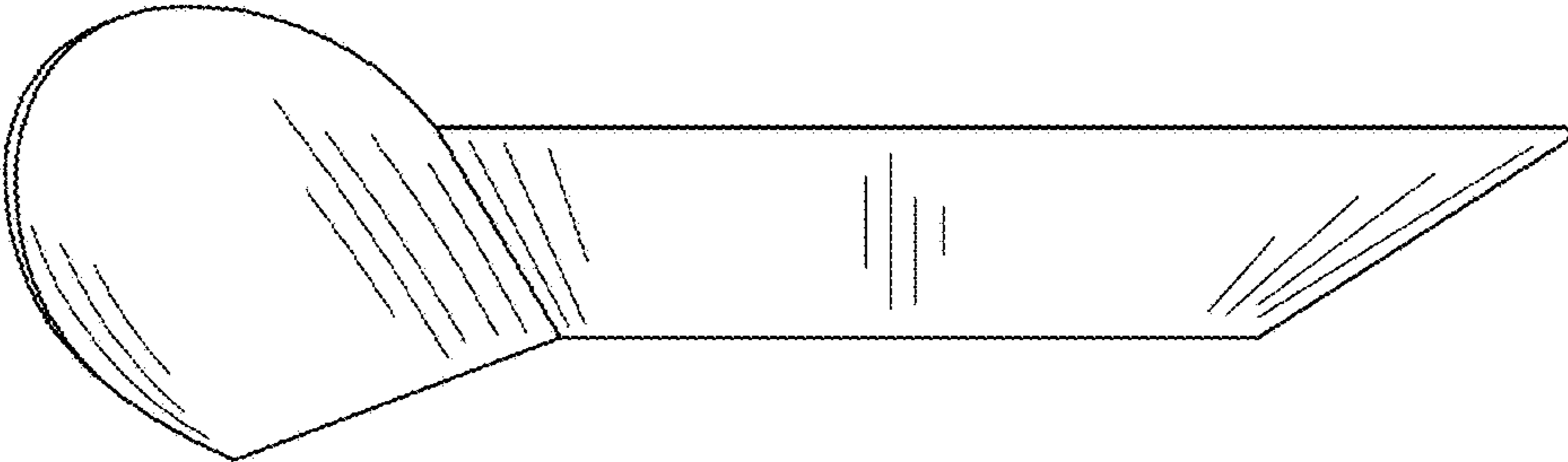


FIG. 13

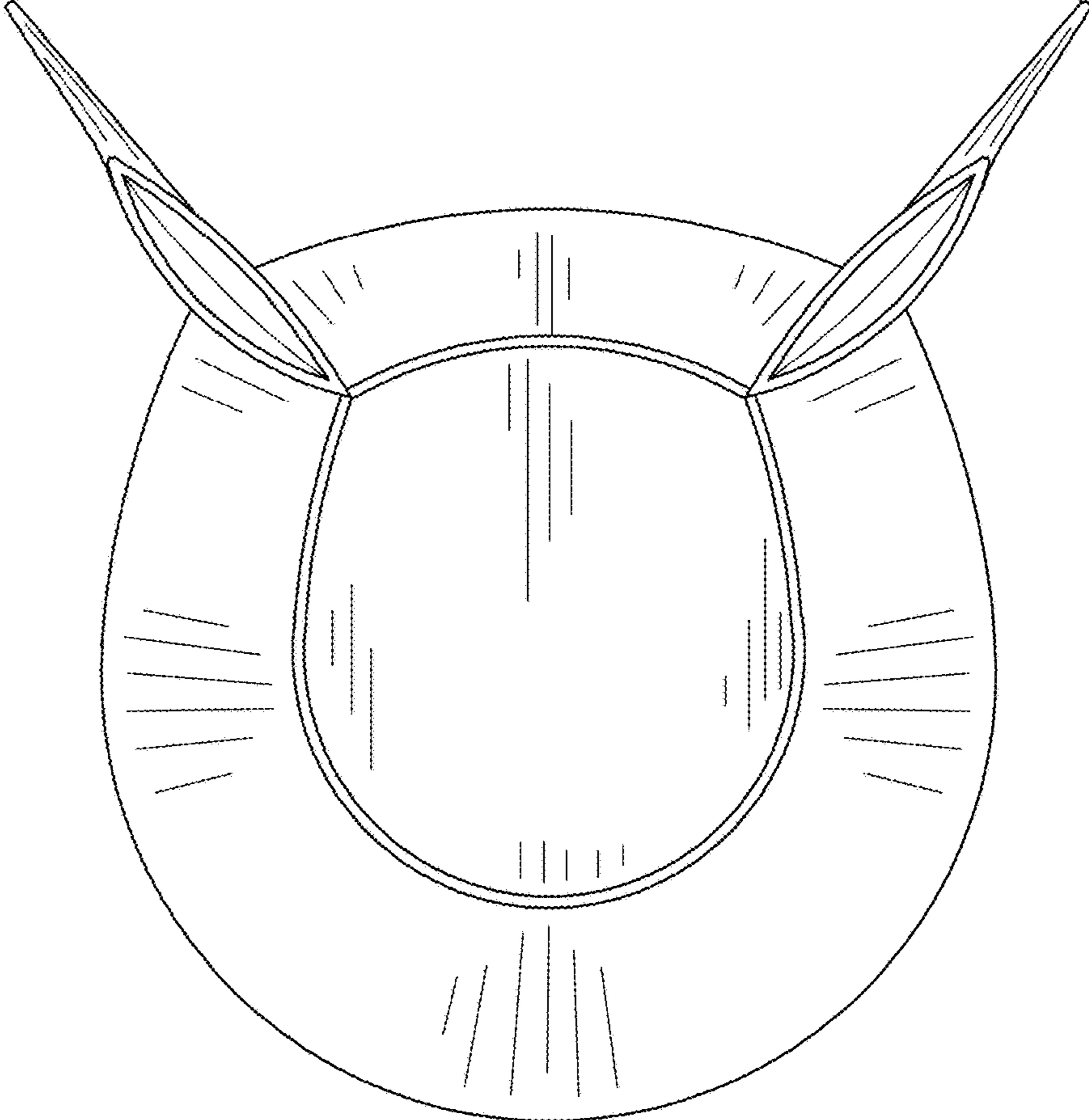


FIG. 14