



US00D830667S

(12) **United States Design Patent**
Colquhoun et al.

(10) **Patent No.:** **US D830,667 S**
(45) **Date of Patent:** **** Oct. 16, 2018**

(54) **FOOD PRODUCT**

(71) Applicant: **Mars, Incorporated**, McLean, VA (US)

(72) Inventors: **Duncan Colquhoun**, Bath (GB); **John Macdonald**, Bath (GB); **Matthew Wright**, Bath (GB)

(73) Assignee: **Mars, Incorporated**, McLean, VA (US)

(**) Term: **15 Years**

(21) Appl. No.: **29/588,256**

(22) Filed: **Dec. 19, 2016**

(51) **LOC (11) Cl.** **01-01**

(52) **U.S. Cl.**
USPC **D1/122**

(58) **Field of Classification Search**
USPC D1/100–130, 199; 426/5, 76, 87, 92, 94,
426/95, 99, 101, 103, 104, 108, 134,
(Continued)

(56) **References Cited**

U.S. PATENT DOCUMENTS

4,969,568 A * 11/1990 Yoshida B43M 99/008
211/186
D385,186 S * 10/1997 Fildan D9/430
(Continued)

Primary Examiner — Katie Jane Stofko

(74) *Attorney, Agent, or Firm* — Greenberg Traurig, LLP

(57) **CLAIM**

The ornamental design for a food product, as shown and described.

DESCRIPTION

FIG. 1 is a front right perspective view of a first embodiment of a food product showing my new design;
FIG. 2 is a front elevation view of the first embodiment of the food product shown in FIG. 1;

FIG. 3 is a rear elevation view of the first embodiment of the food product shown in FIG. 1;
FIG. 4 is a left side elevation view of the first embodiment of the food product shown in FIG. 1;
FIG. 5 is a right side elevation view of the first embodiment of the food product shown in FIG. 1;
FIG. 6 is a top plan view of the first embodiment of the food product shown in FIG. 1;
FIG. 7 is a bottom plan view of the first embodiment of the food product shown in FIG. 1;
FIG. 8 is a front right perspective view of a second embodiment of a food product showing my new design;
FIG. 9 is a front elevation view of the second embodiment of the food product shown in FIG. 8;
FIG. 10 is a rear elevation view of the second embodiment of the food product shown in FIG. 8;
FIG. 11 is a left side elevation view of the second embodiment of the food product shown in FIG. 8;
FIG. 12 is a right side elevation view of the second embodiment of the food product shown in FIG. 8;
FIG. 13 is a top plan view of the second embodiment of the food product shown in FIG. 8;
FIG. 14 is a bottom plan view of the second embodiment of the food product shown in FIG. 8;
FIG. 15 is a front right perspective view of a third embodiment of a food product showing my new design;
FIG. 16 is a front elevation view of the third embodiment of the food product shown in FIG. 15;
FIG. 17 is a rear elevation view of the third embodiment of the food product shown in FIG. 15;
FIG. 18 is a left side elevation view of the third embodiment of the food product shown in FIG. 15;
FIG. 19 is a right side elevation view of the third embodiment of the food product shown in FIG. 15;
FIG. 20 is a top plan view of the third embodiment of the food product shown in FIG. 15;
FIG. 21 is a bottom plan view of the third embodiment of the food product shown in FIG. 15;
FIG. 22 is a front right perspective view of a fourth embodiment of a food product showing my new design;
FIG. 23 is a front elevation view of the fourth embodiment of the food product shown in FIG. 22;
FIG. 24 is a rear elevation view of the fourth embodiment of the food product shown in FIG. 22;

(Continued)

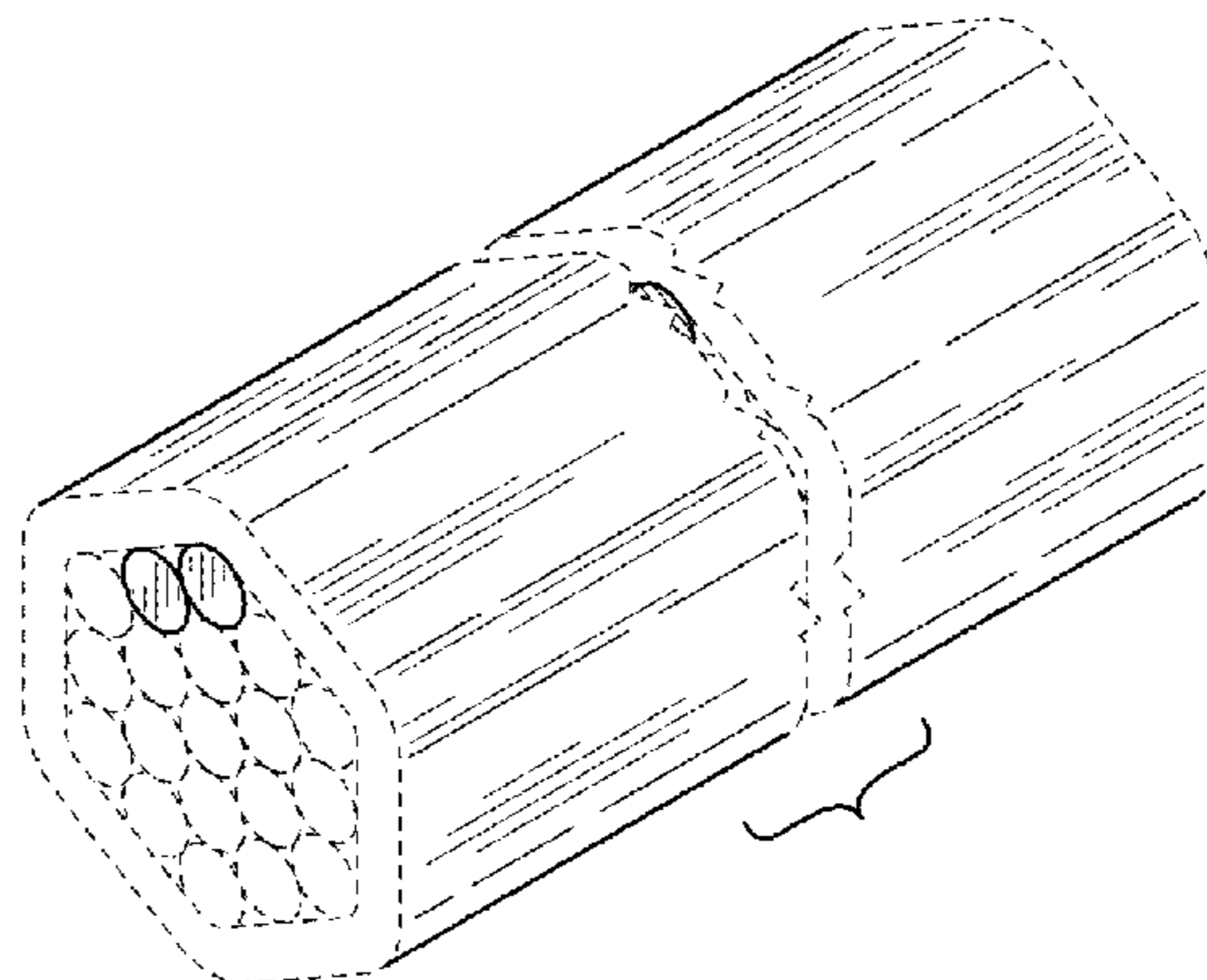
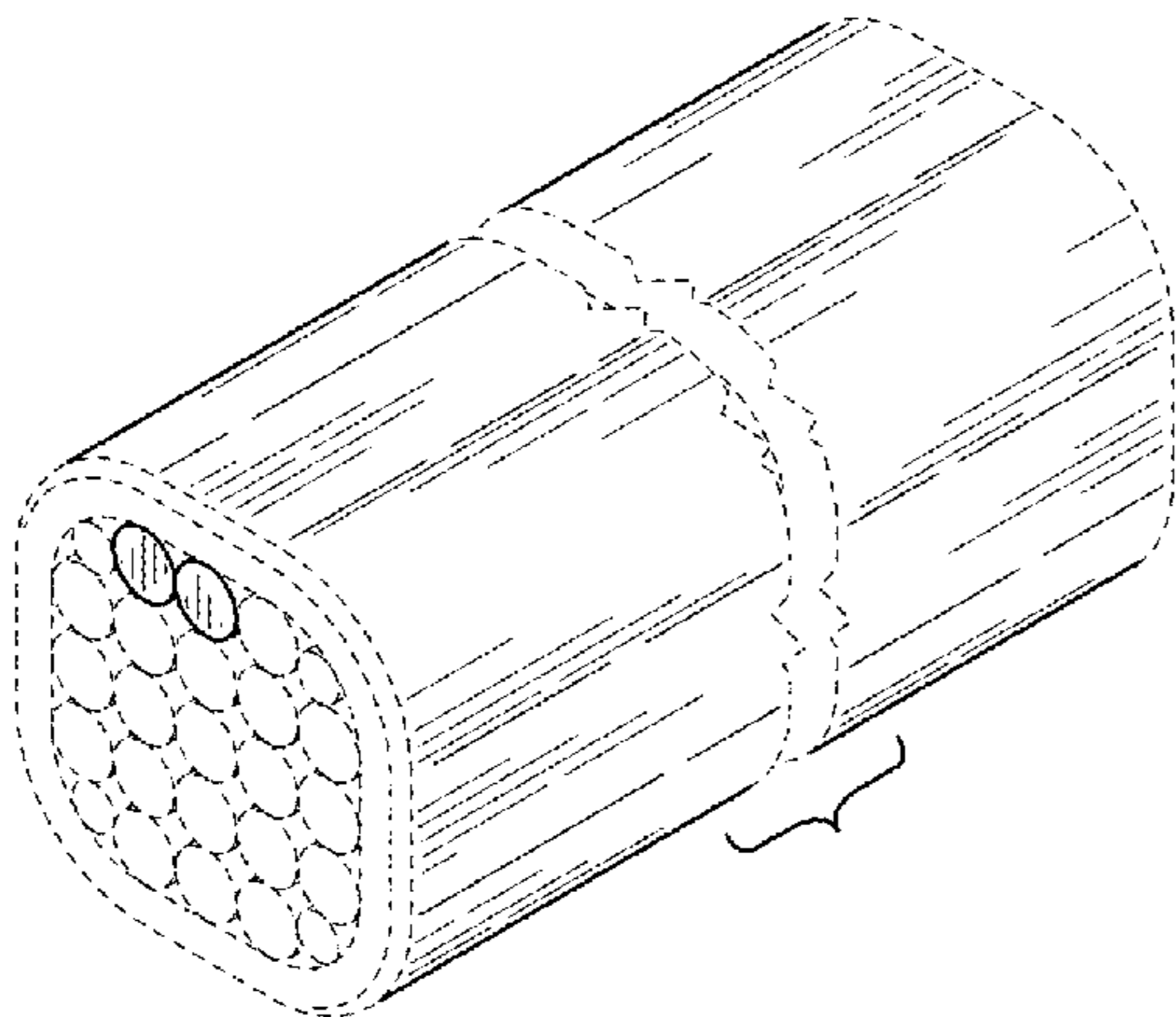


FIG. 25 is a left side elevation view of the fourth embodiment of the food product shown in FIG. 22;
 FIG. 26 is a right side elevation view of the fourth embodiment of the food product shown in FIG. 22;
 FIG. 27 is a top plan view of the fourth embodiment of the food product shown in FIG. 22; and,
 FIG. 28 is a bottom plan view of the fourth embodiment of the food product shown in FIG. 22.
 The break lines shown in the middle portion of the food product in FIGS. 1, 4-7, 15 and 18-21 indicate that the appearance of any portion of the article between the break lines forms no part of the claimed design. The broken lines in FIGS. 1-28 illustrate portions of the food product that form no part of the claimed design.

1 Claim, 8 Drawing Sheets

(58) **Field of Classification Search**

USPC 426/138-139, 143, 144, 279, 282, 283,
 426/391, 514, 549, 559, 560, 660, 808;
 D9/430, 439, 754; 521/50; D13/110;
 220/574; D8/83; D21/487; D26/37, 38,
 D26/46, 49

CPC A21D 13/0029; A21D 13/0074; A21D
 13/0022; A21D 13/0006; A23L 1/1641;
 A23L 1/005

See application file for complete search history.

(56)

References Cited

U.S. PATENT DOCUMENTS

D455,510	S	*	4/2002	Galli	D26/37
D486,732	S	*	2/2004	Borkoski	D9/754
D506,670	S	*	6/2005	Borkoski	D9/430
D596,771	S	*	7/2009	Lee	D26/46
D602,430	S	*	10/2009	Green	D13/110
D631,586	S	*	1/2011	Li	D26/37
D642,648	S	*	8/2011	Oliver	D22/108
D665,320	S	*	8/2012	Najarro	D12/194
D680,070	S	*	4/2013	Zaslavsky	D13/110
D754,377	S	*	4/2016	Nook	D26/37
D757,318	S	*	5/2016	Evans	D26/46

* cited by examiner

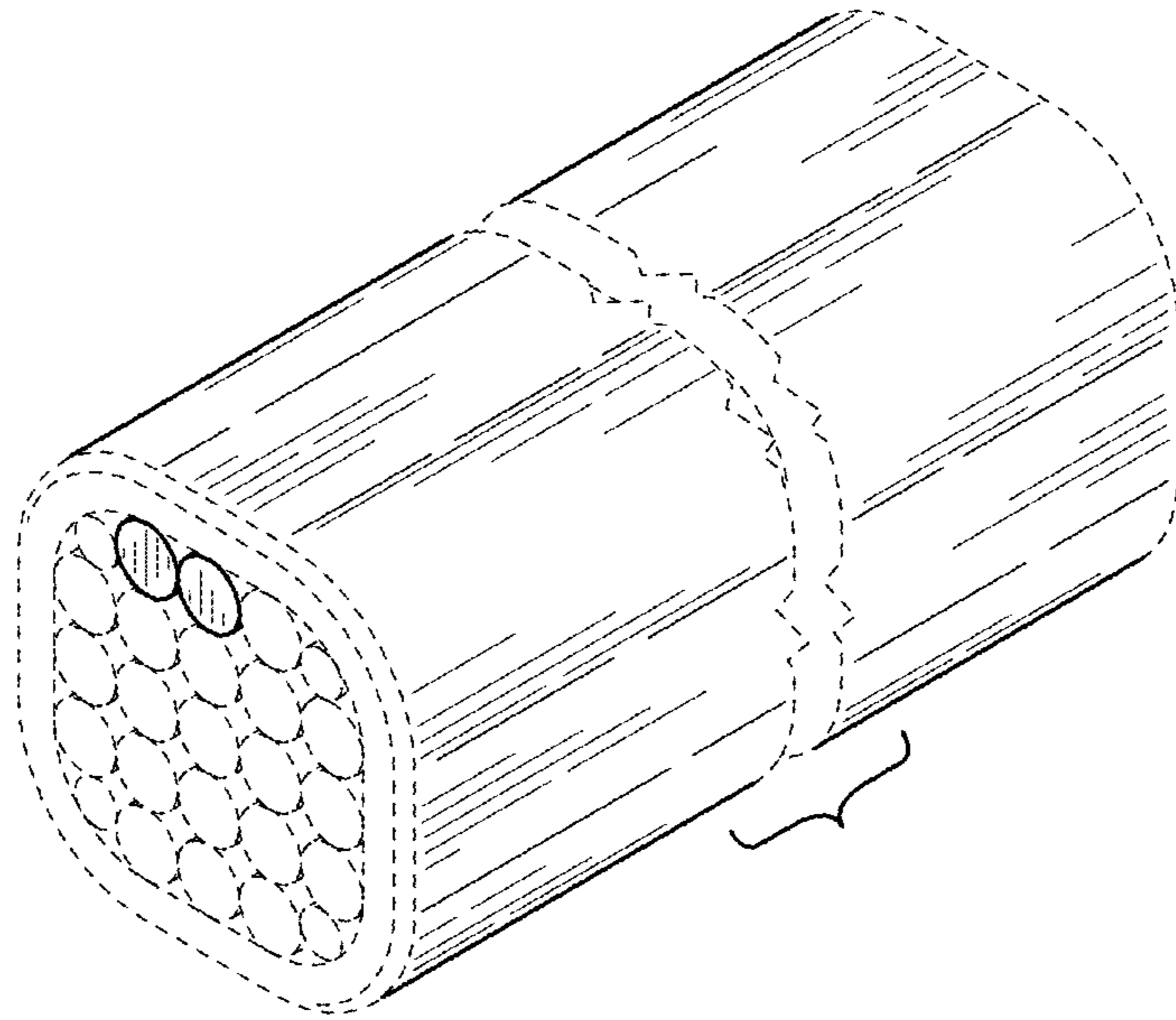


FIG. 1

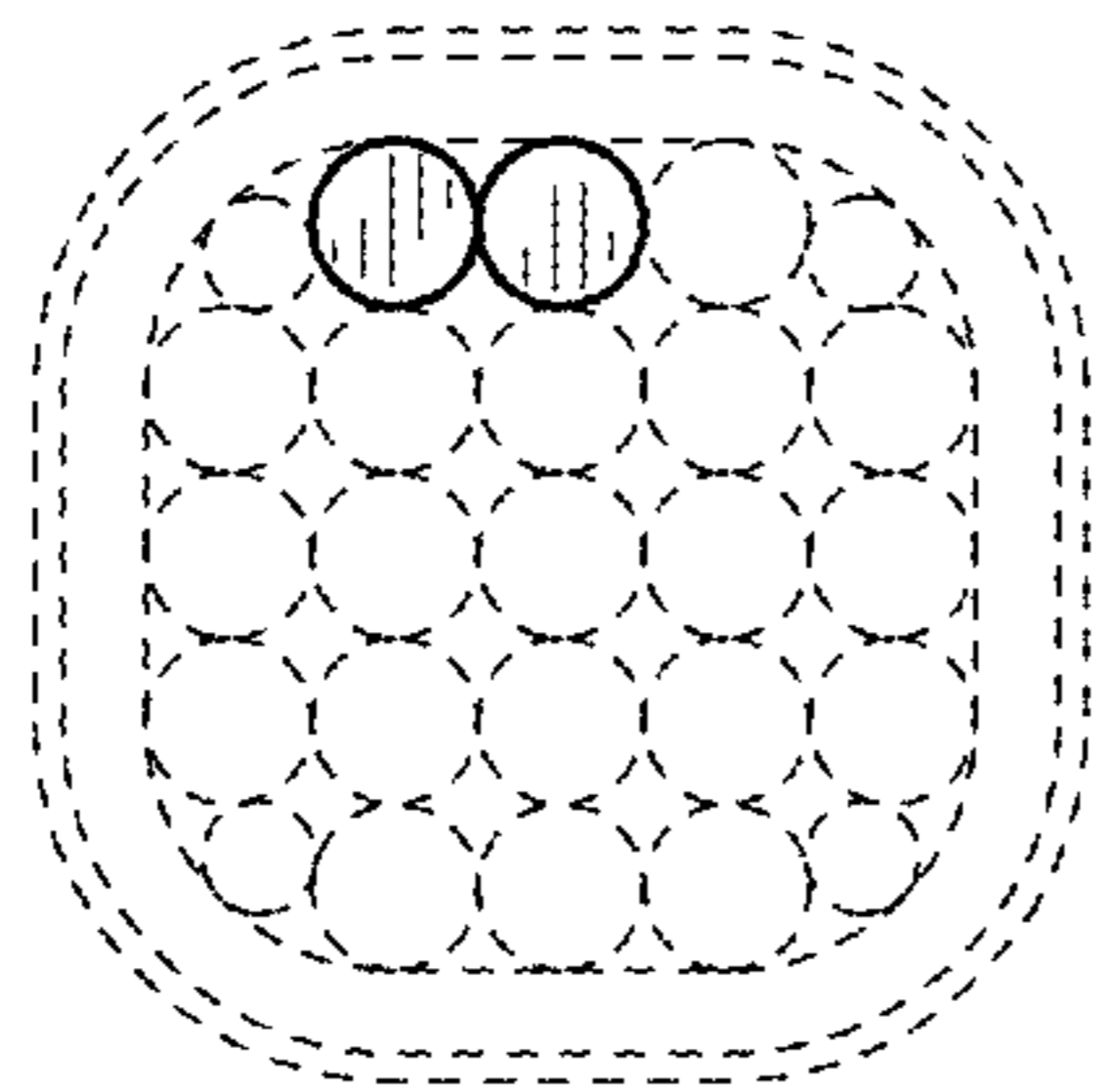


FIG. 2

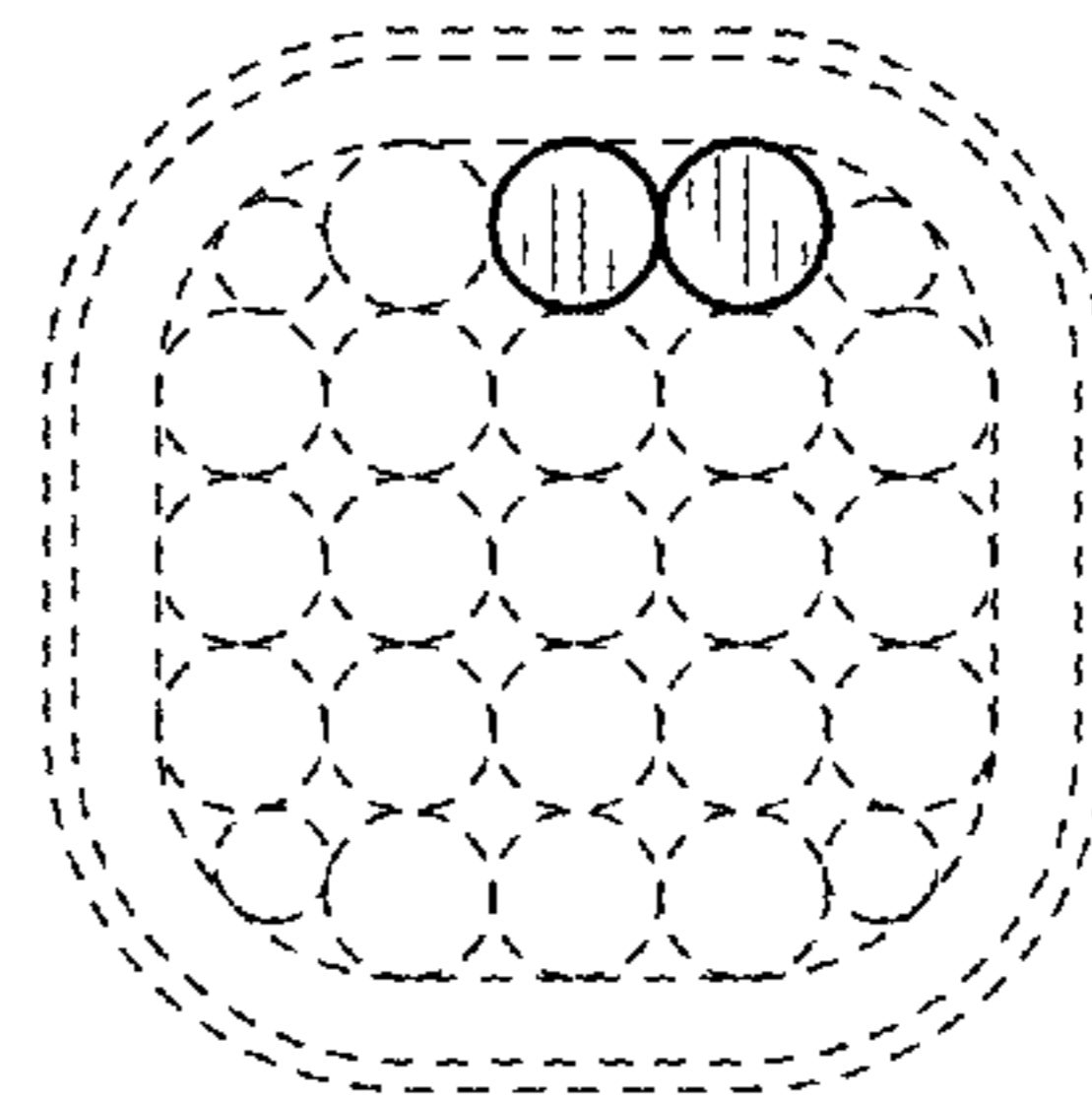


FIG. 3

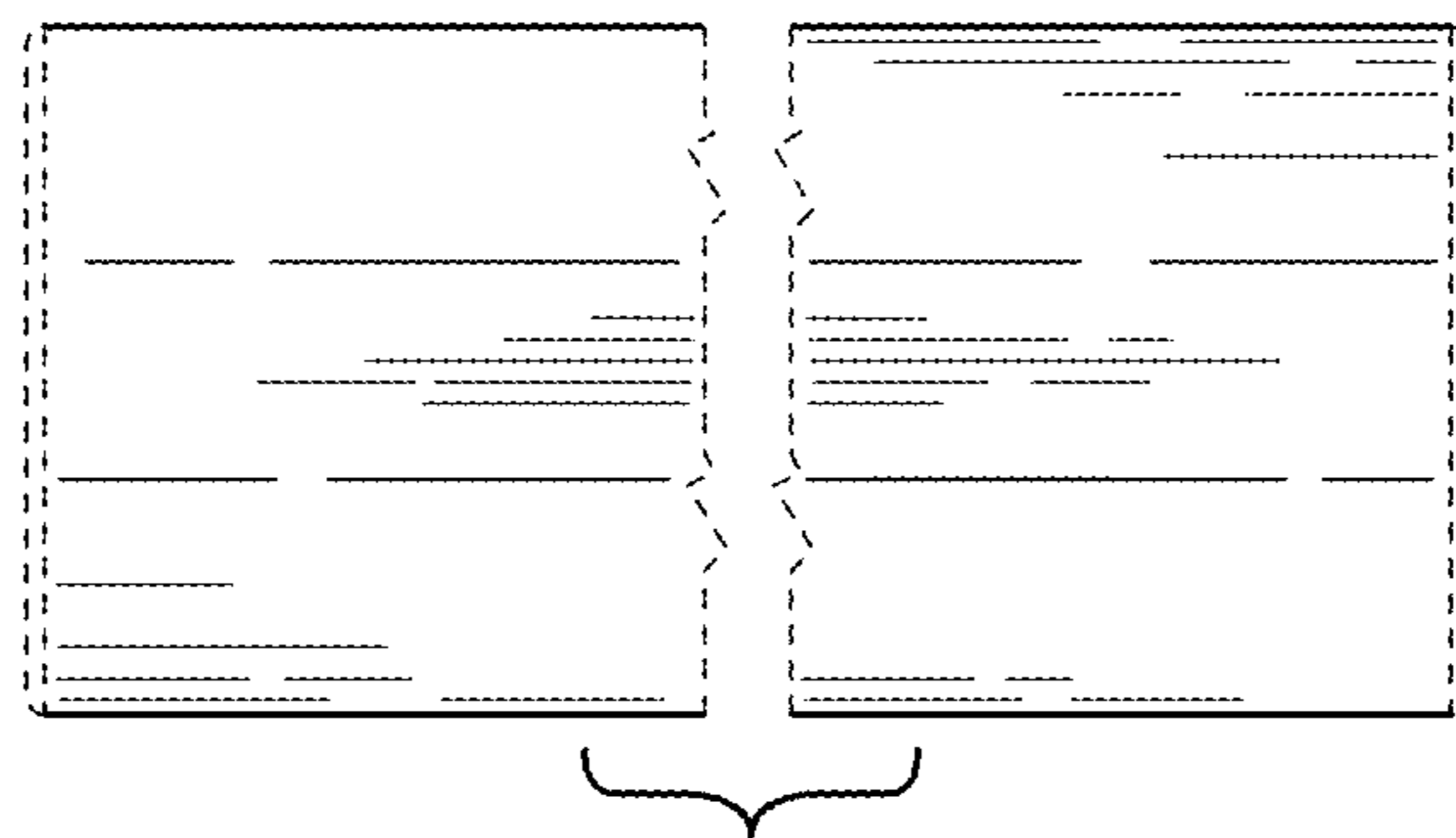


FIG. 4

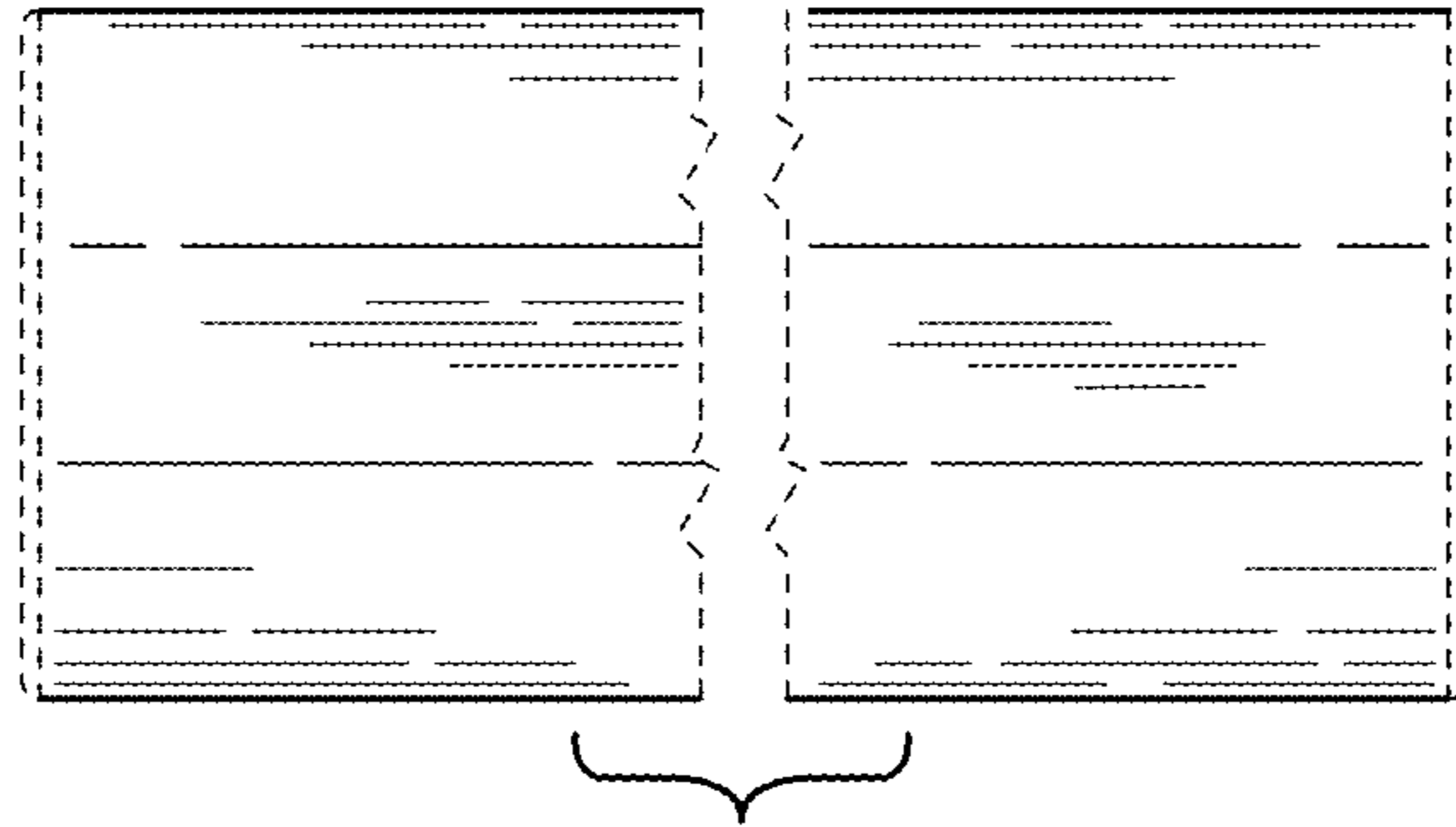


FIG. 5

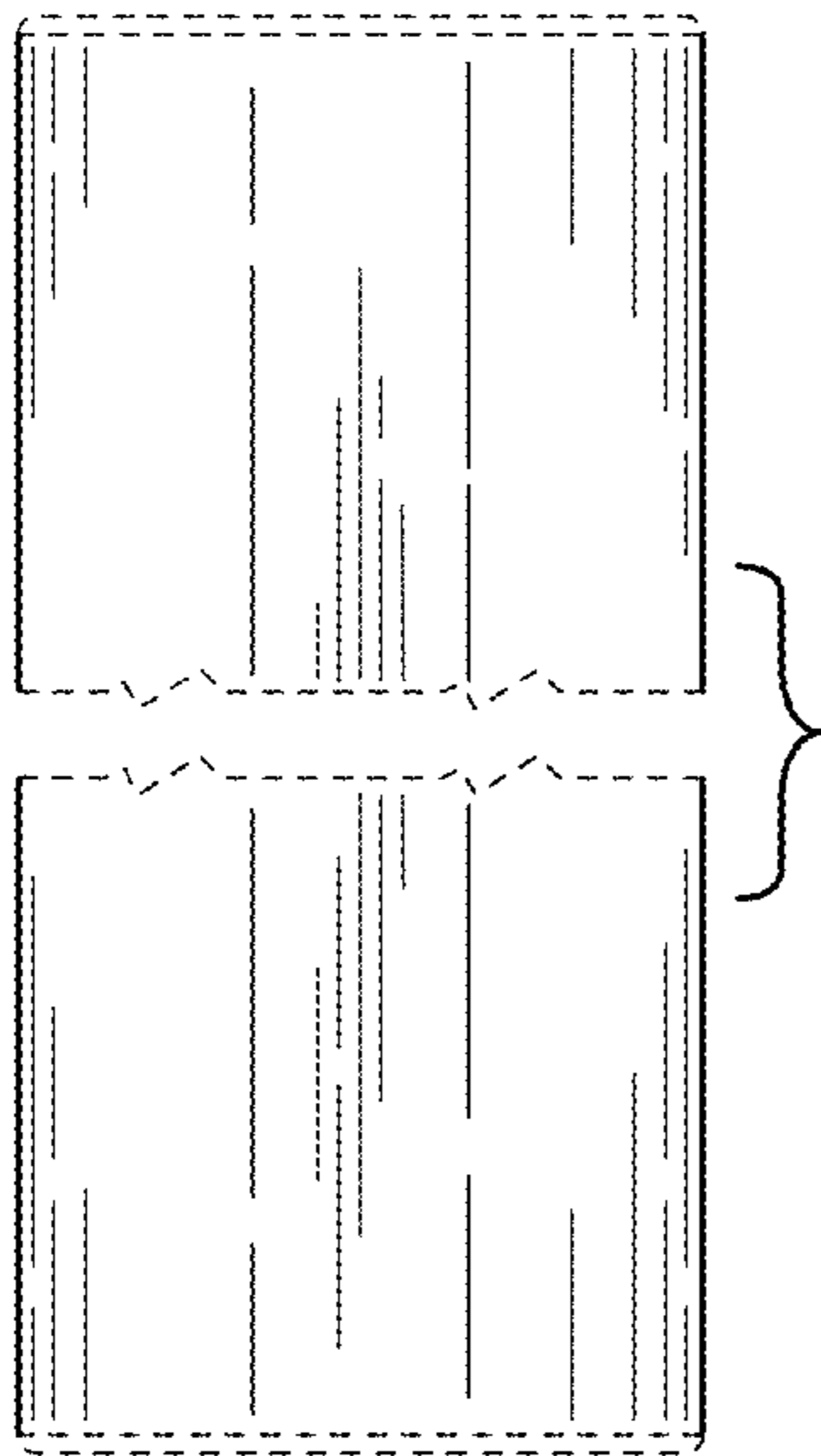


FIG. 6

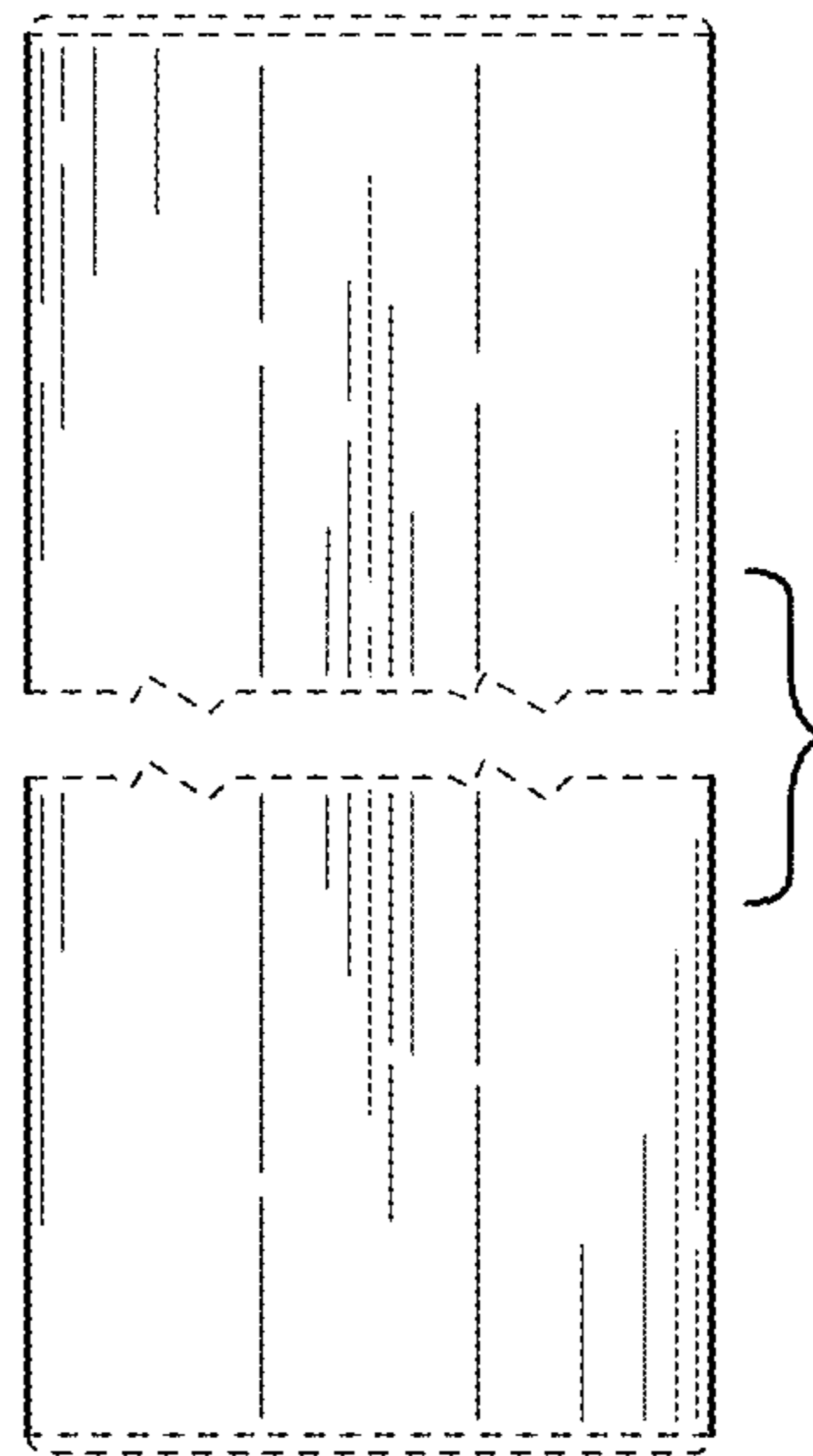


FIG. 7

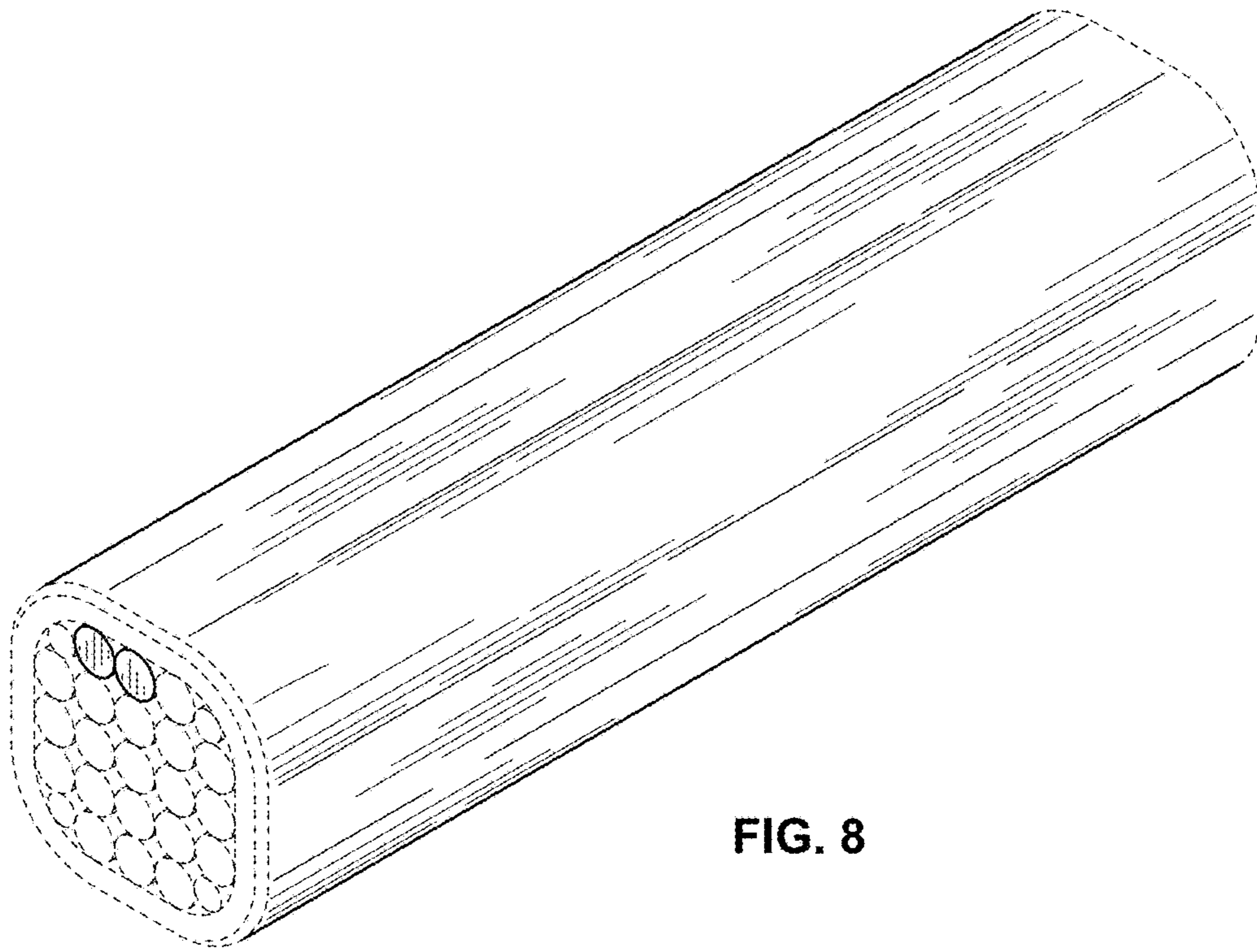


FIG. 8

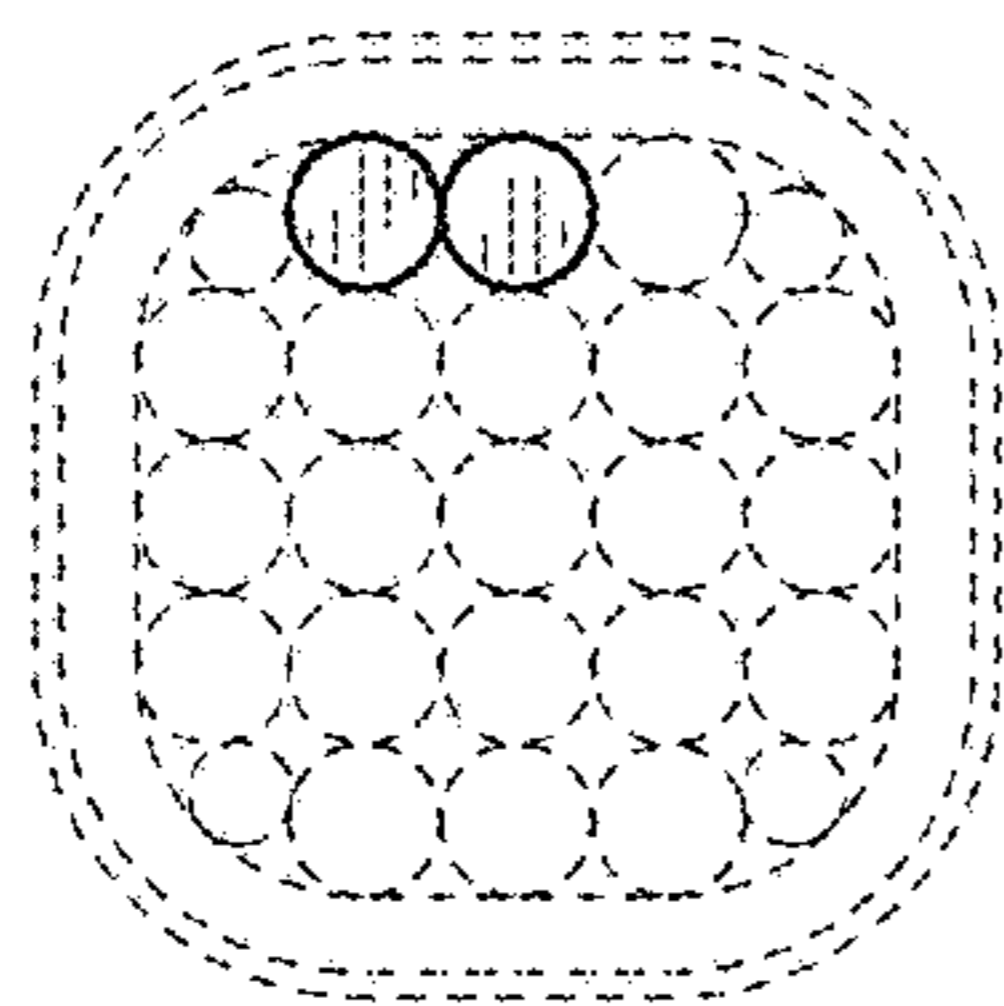


FIG. 9

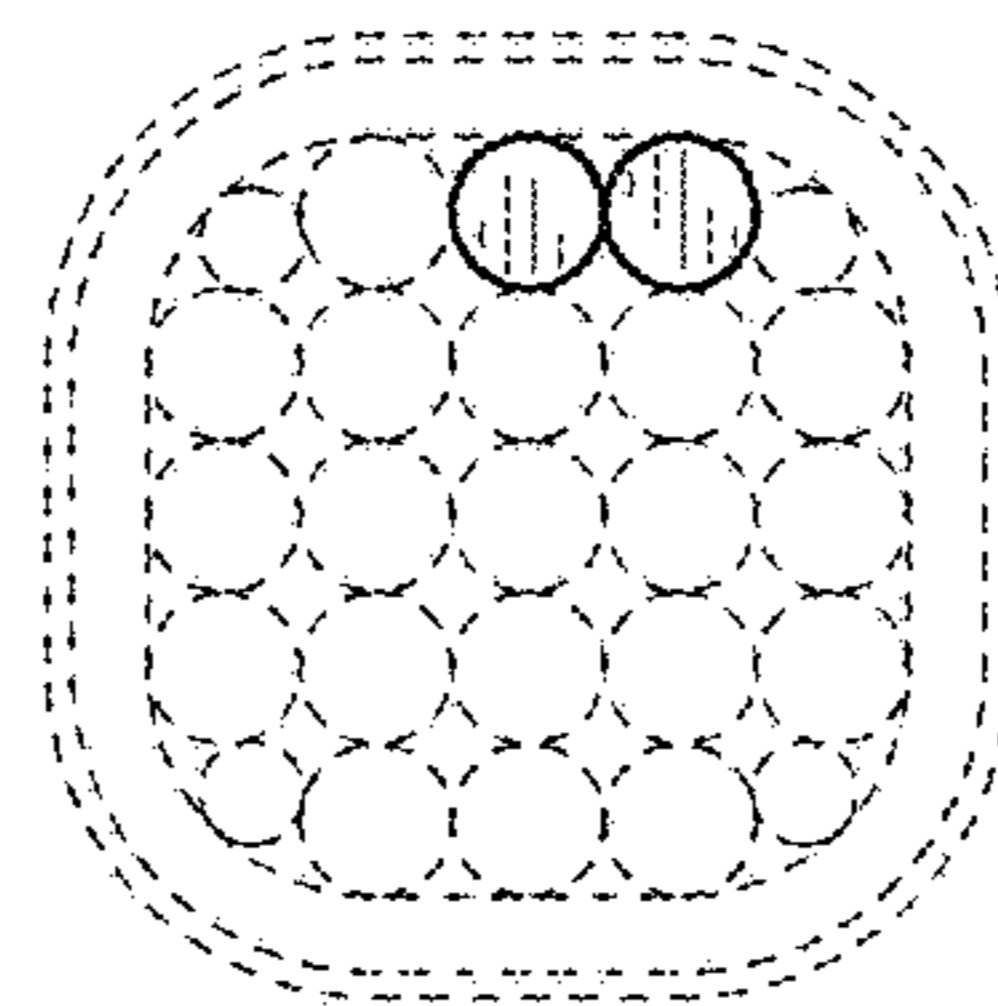


FIG. 10

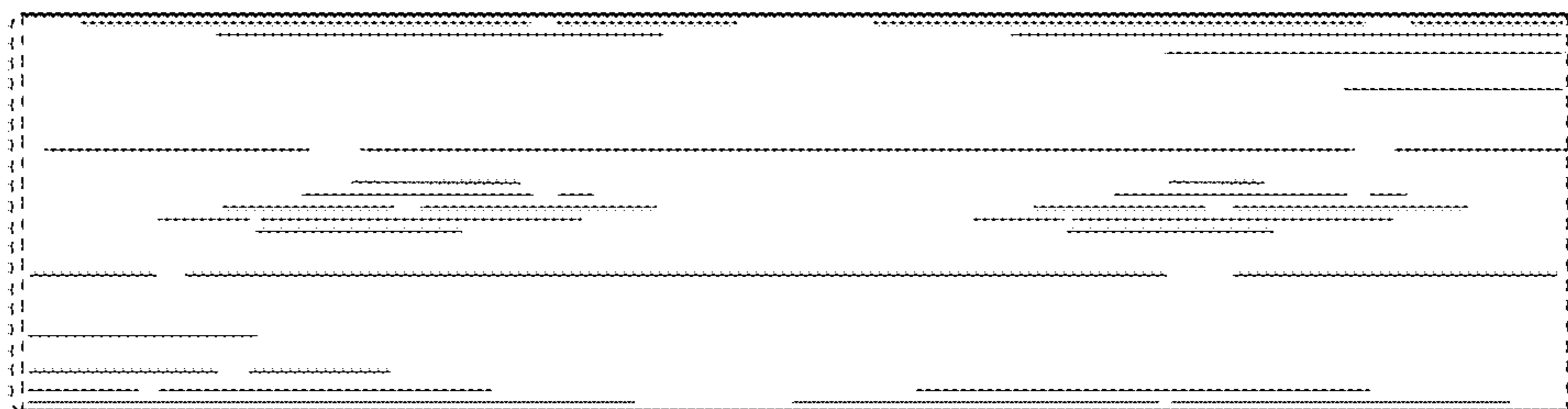


FIG. 11

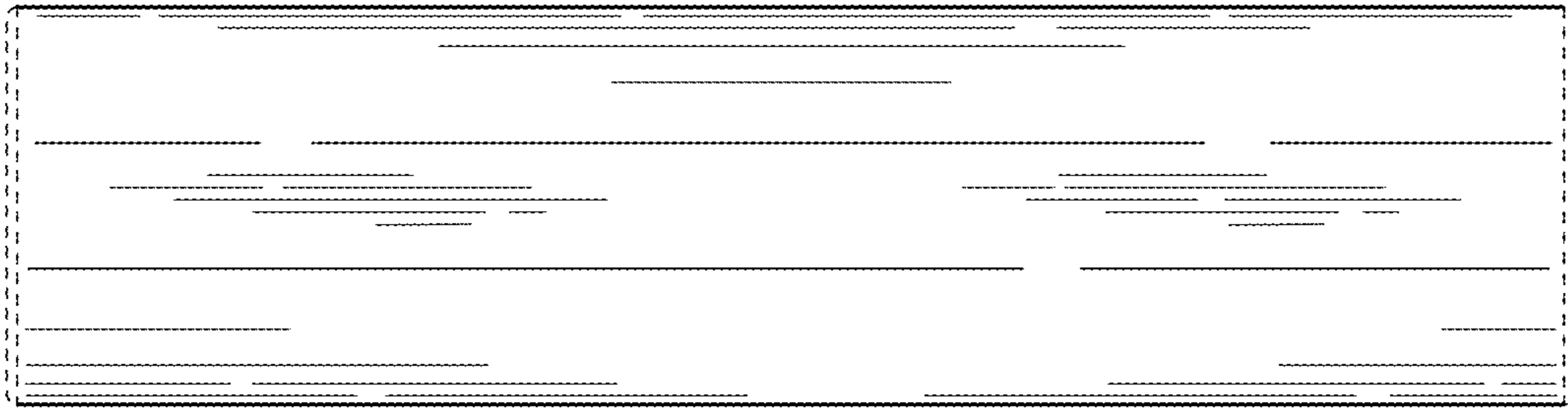


FIG. 12

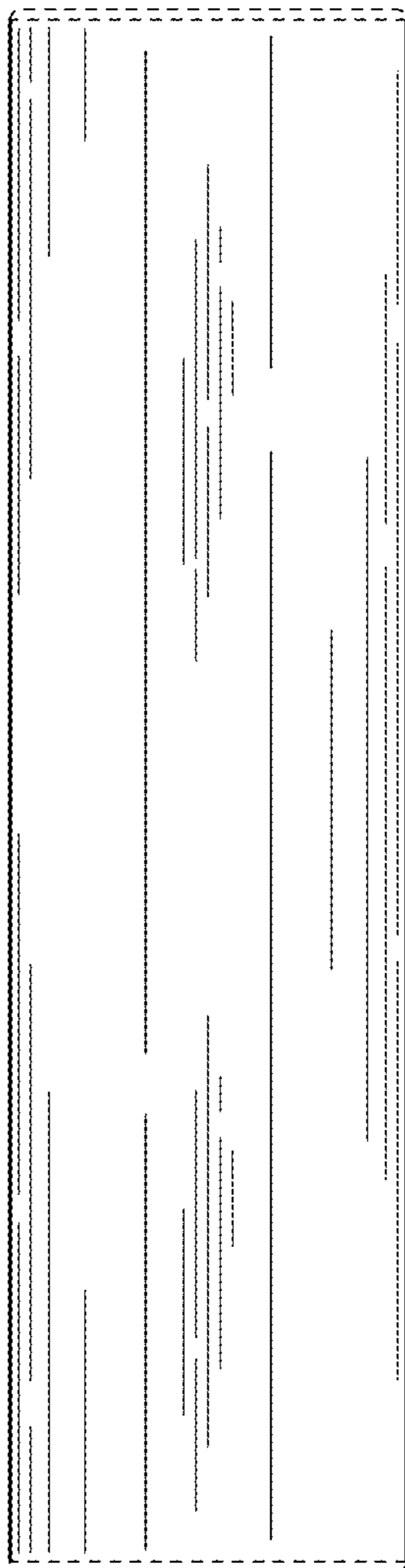


FIG. 13

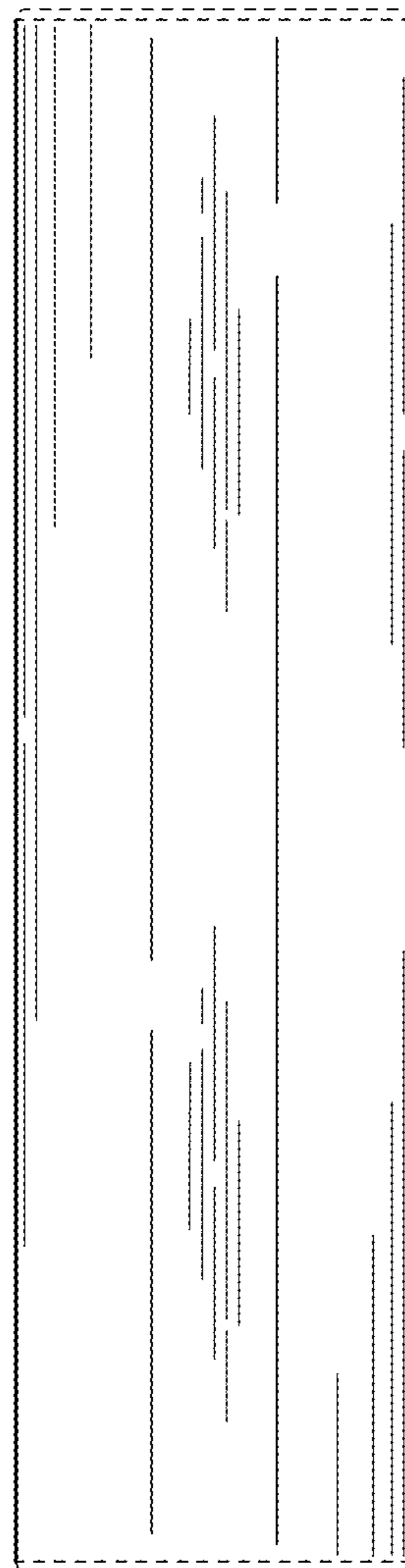


FIG. 14

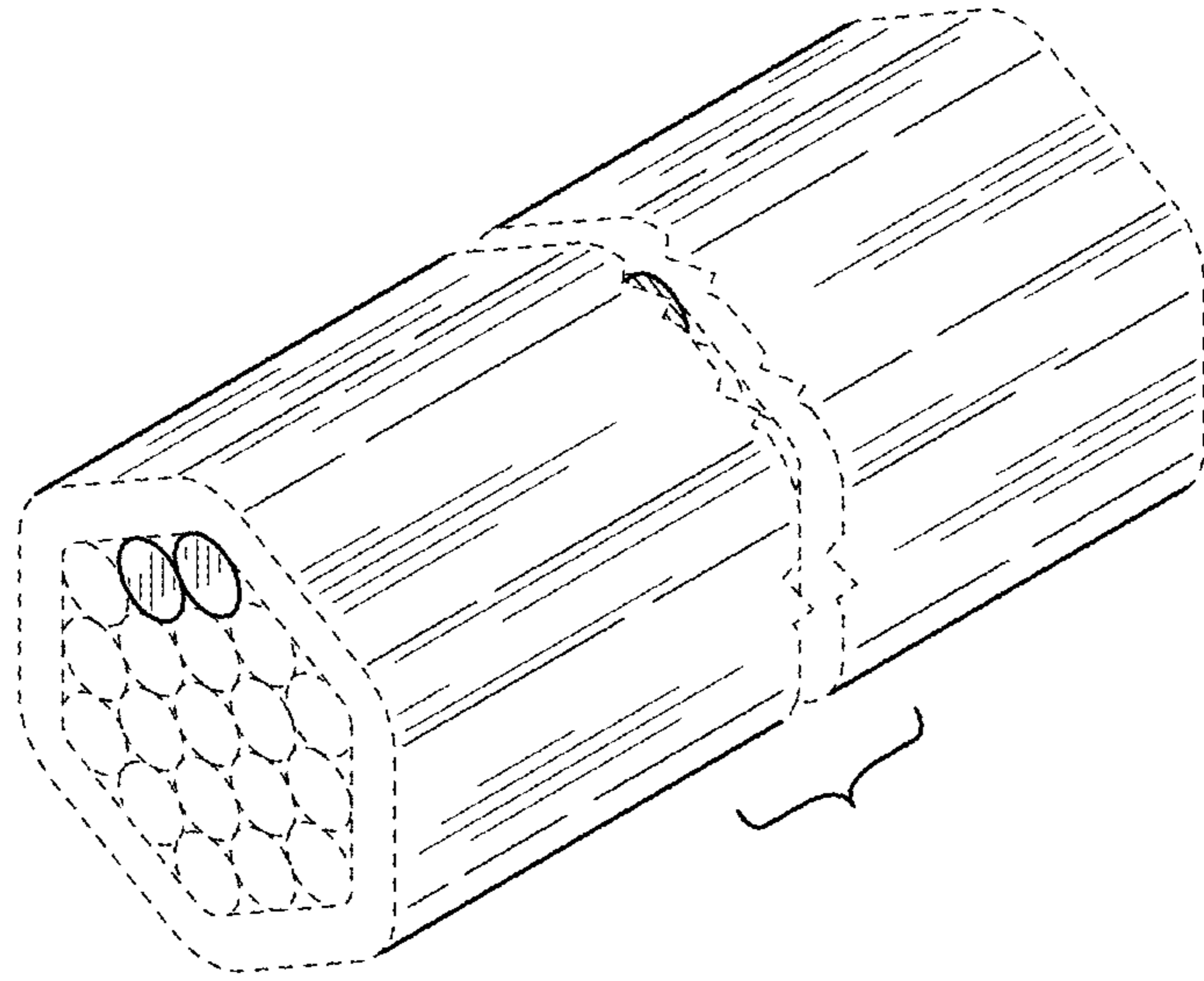


FIG. 15

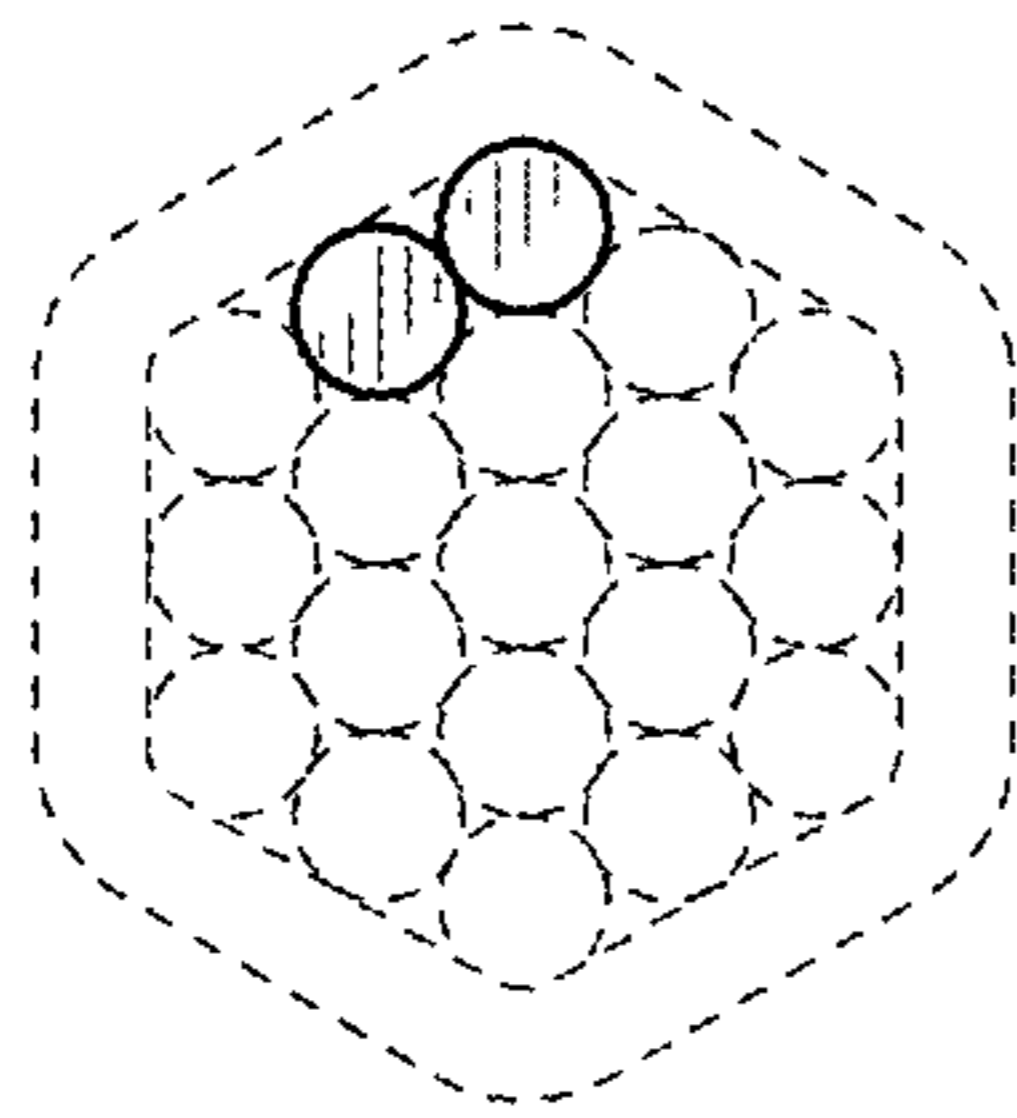


FIG. 16

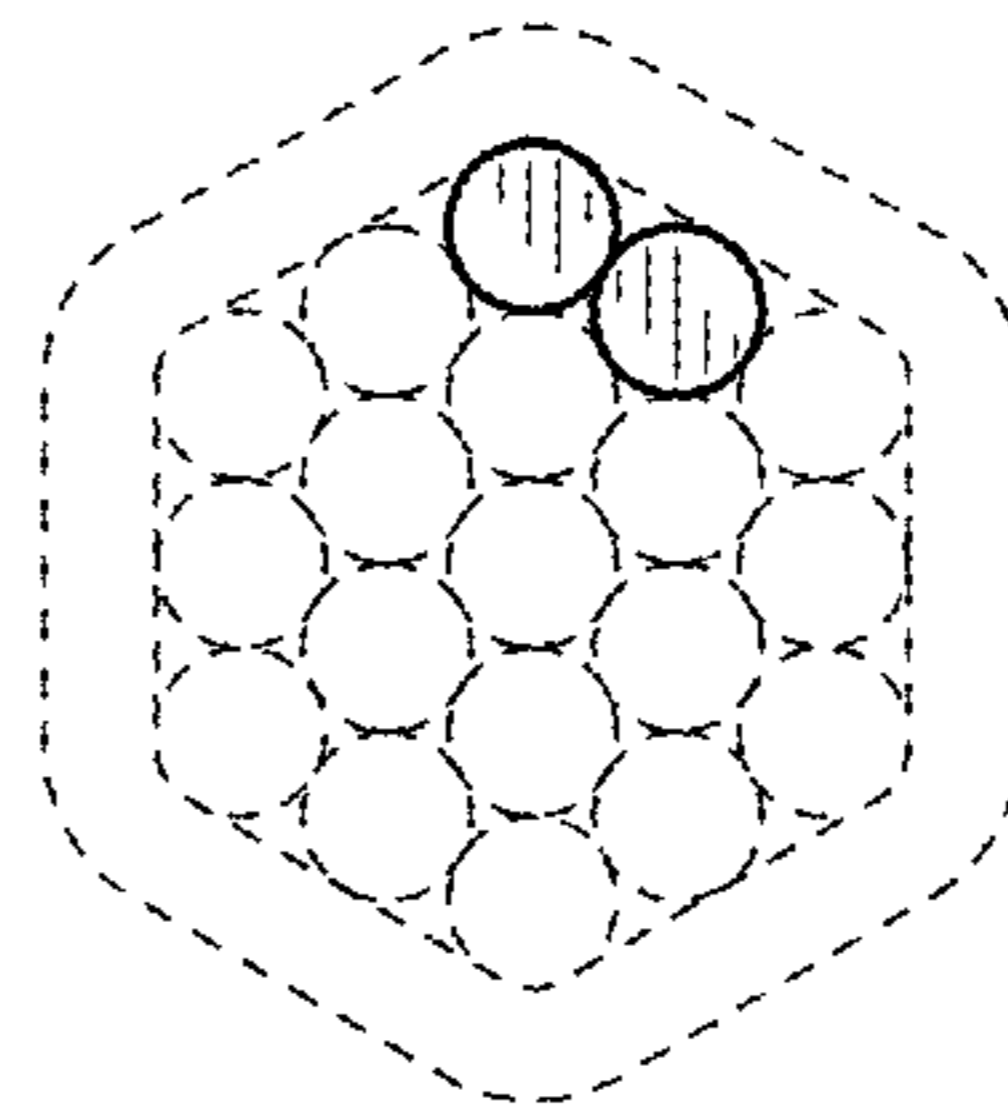


FIG. 17

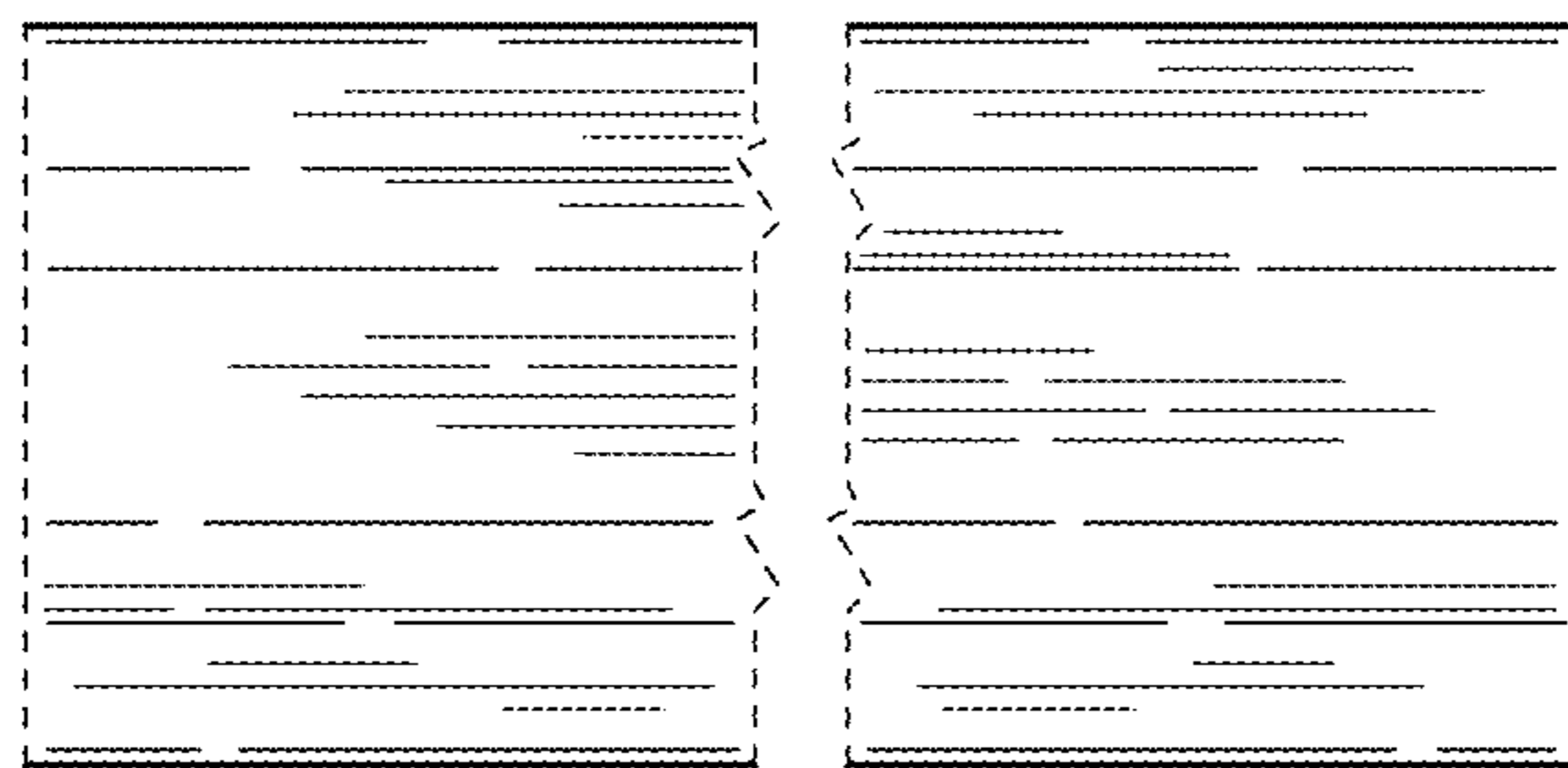


FIG. 18

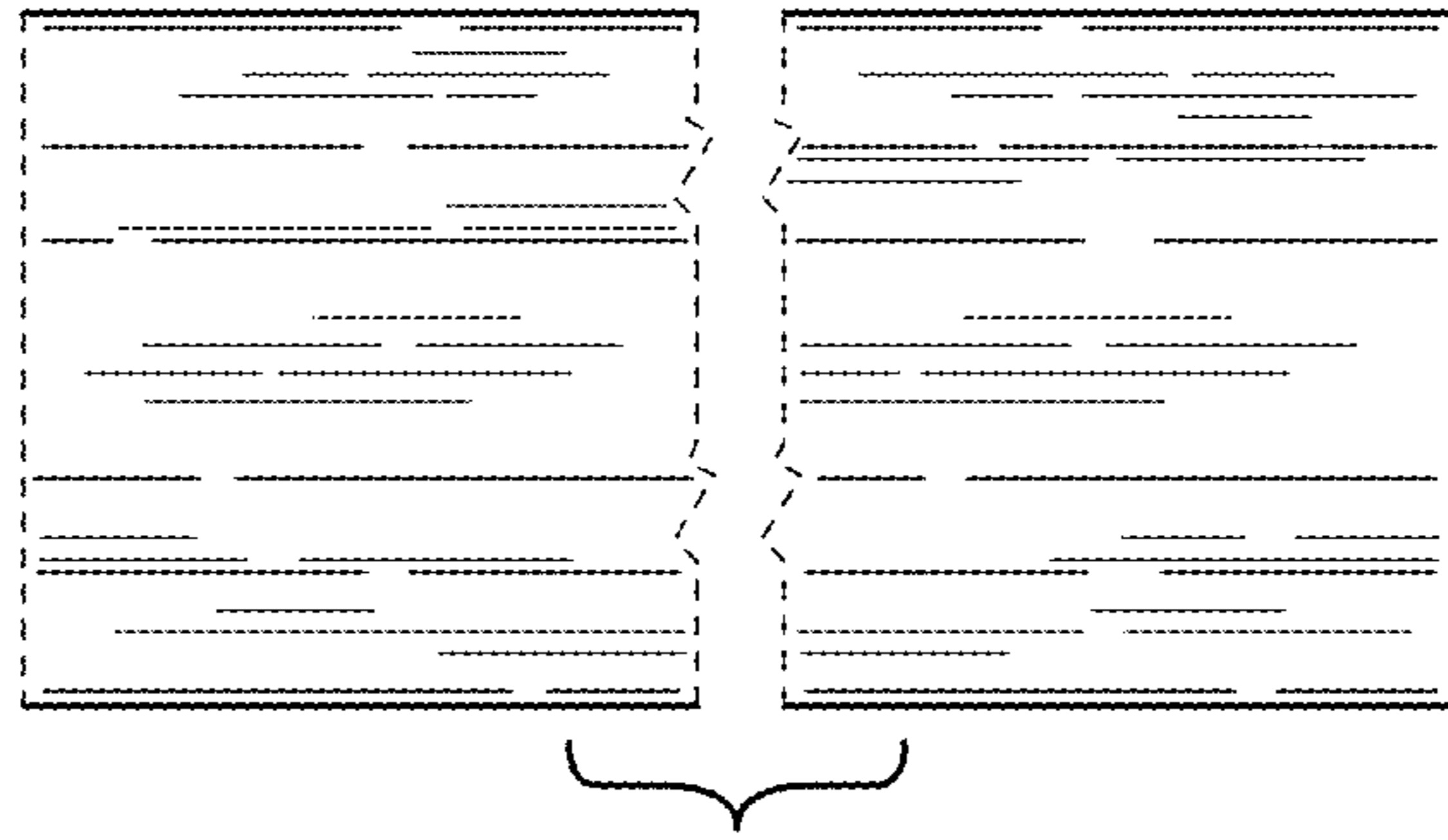


FIG. 19

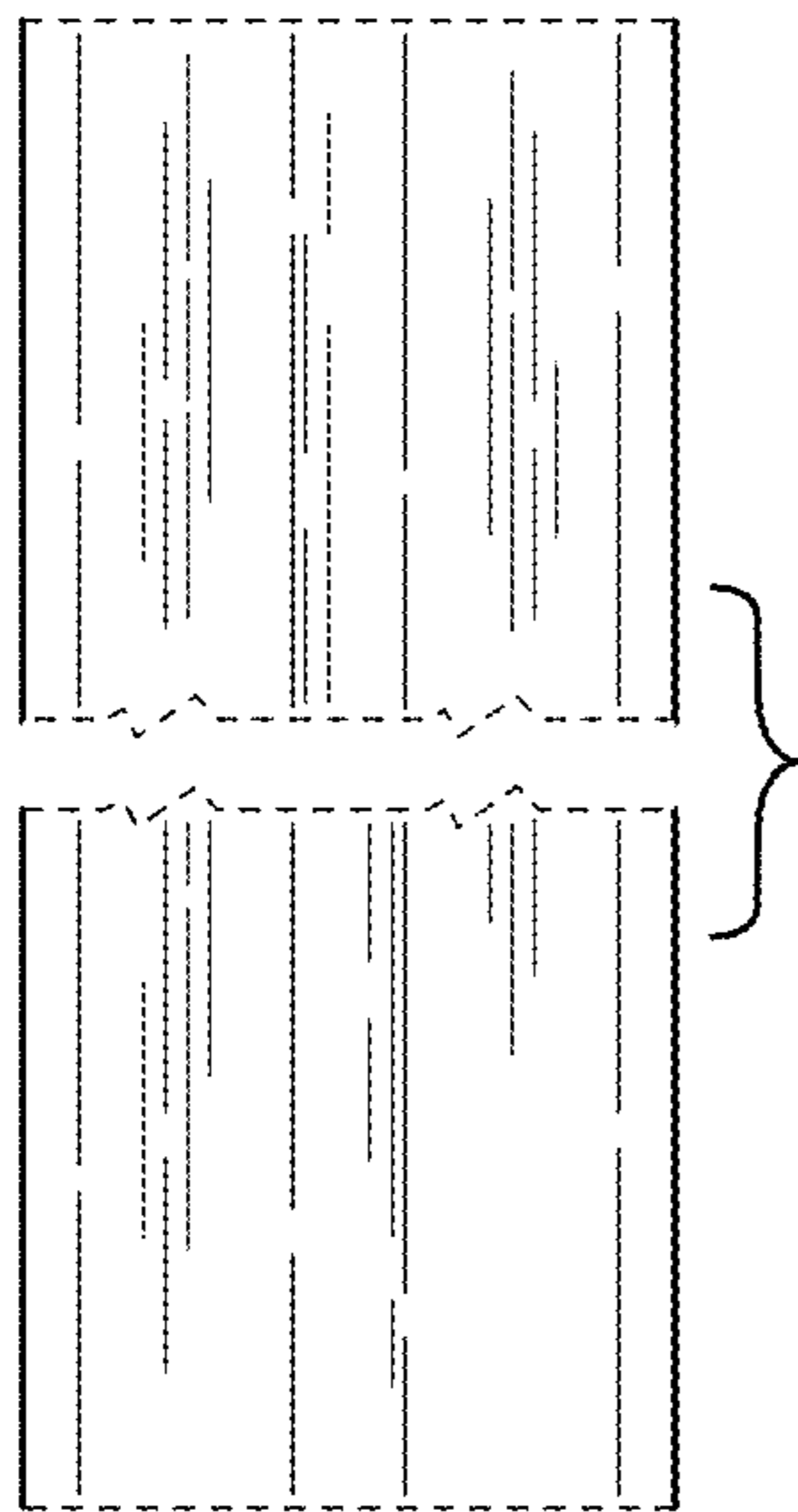


FIG. 20

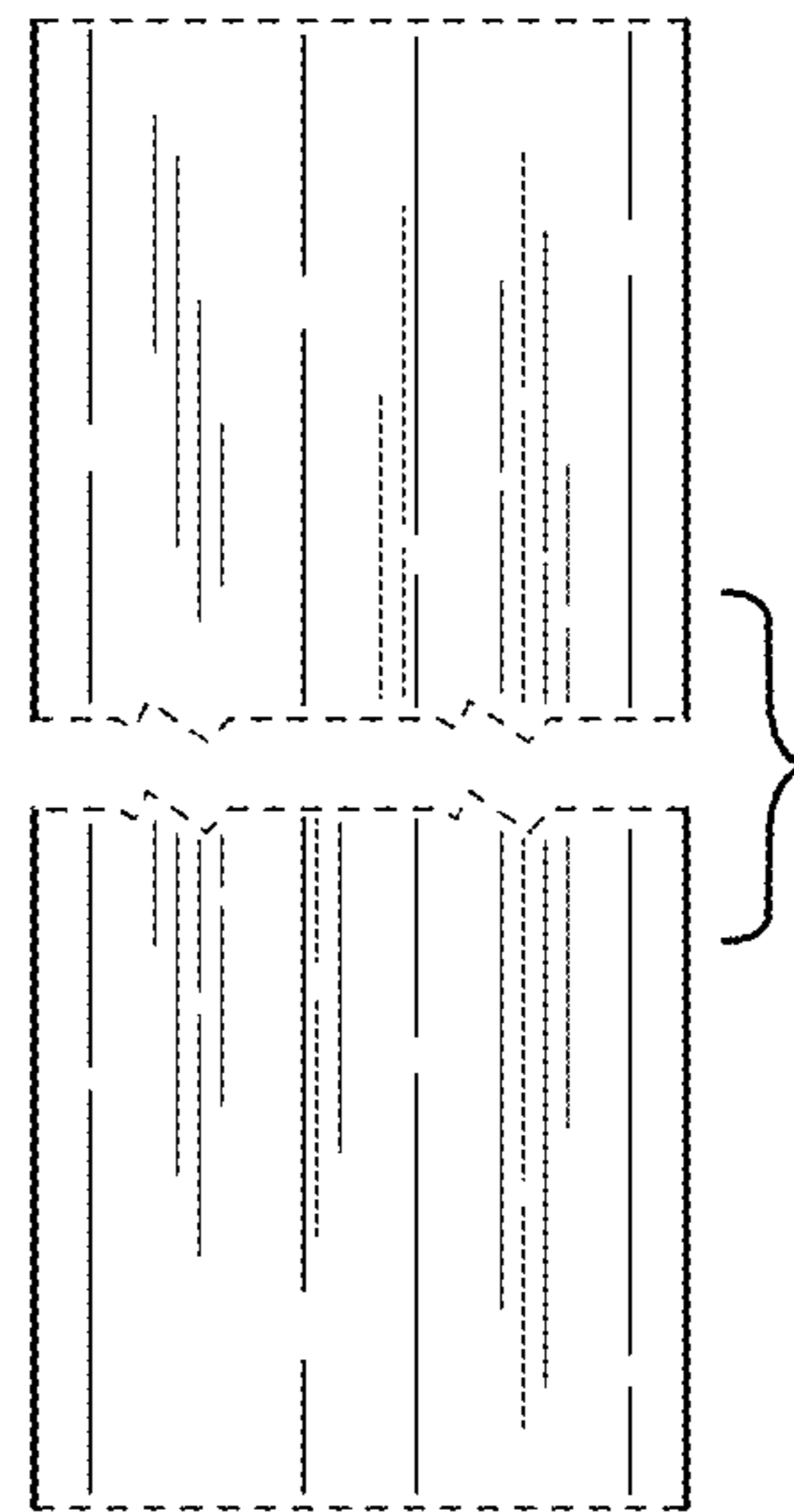


FIG. 21

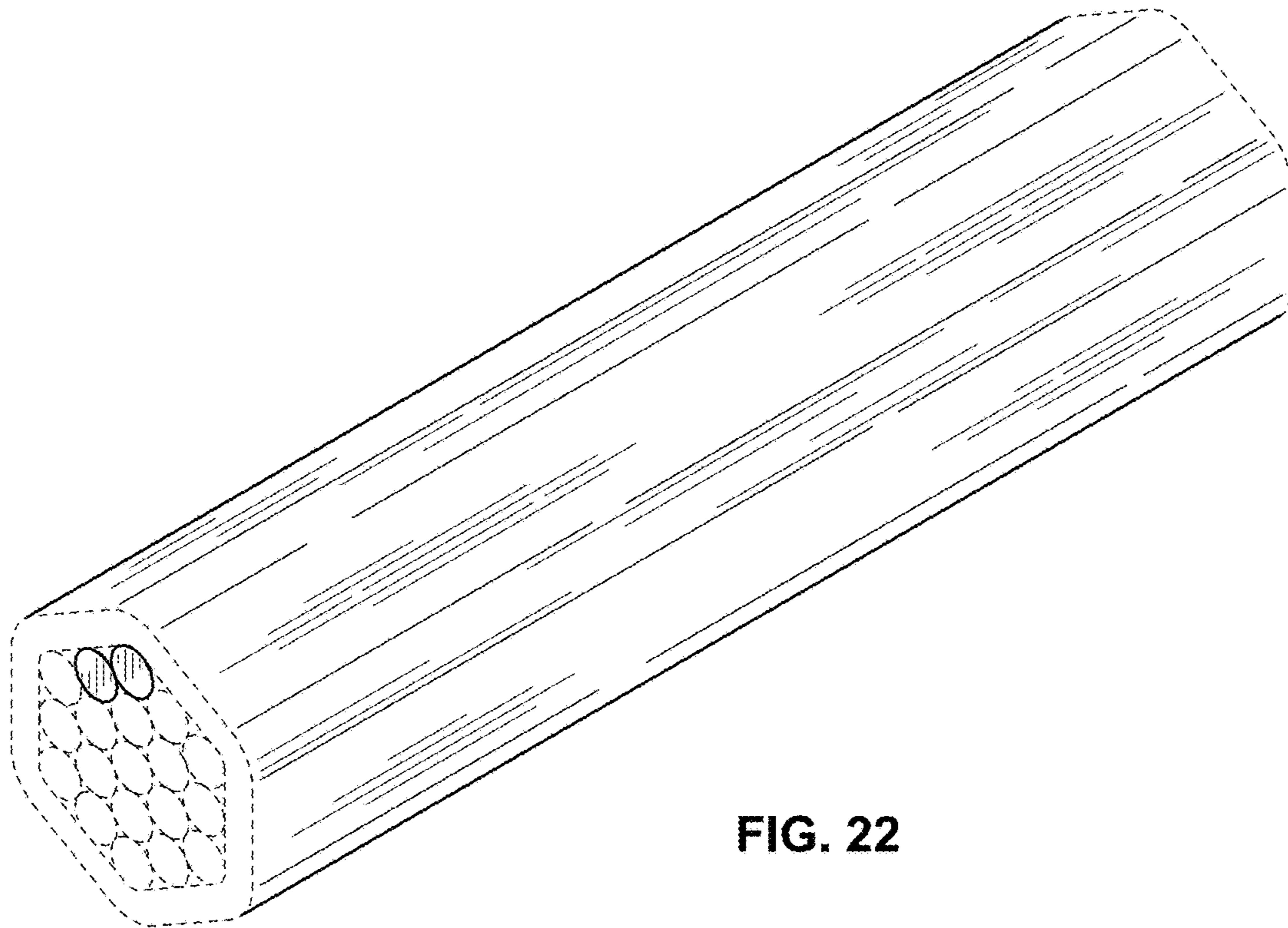


FIG. 22

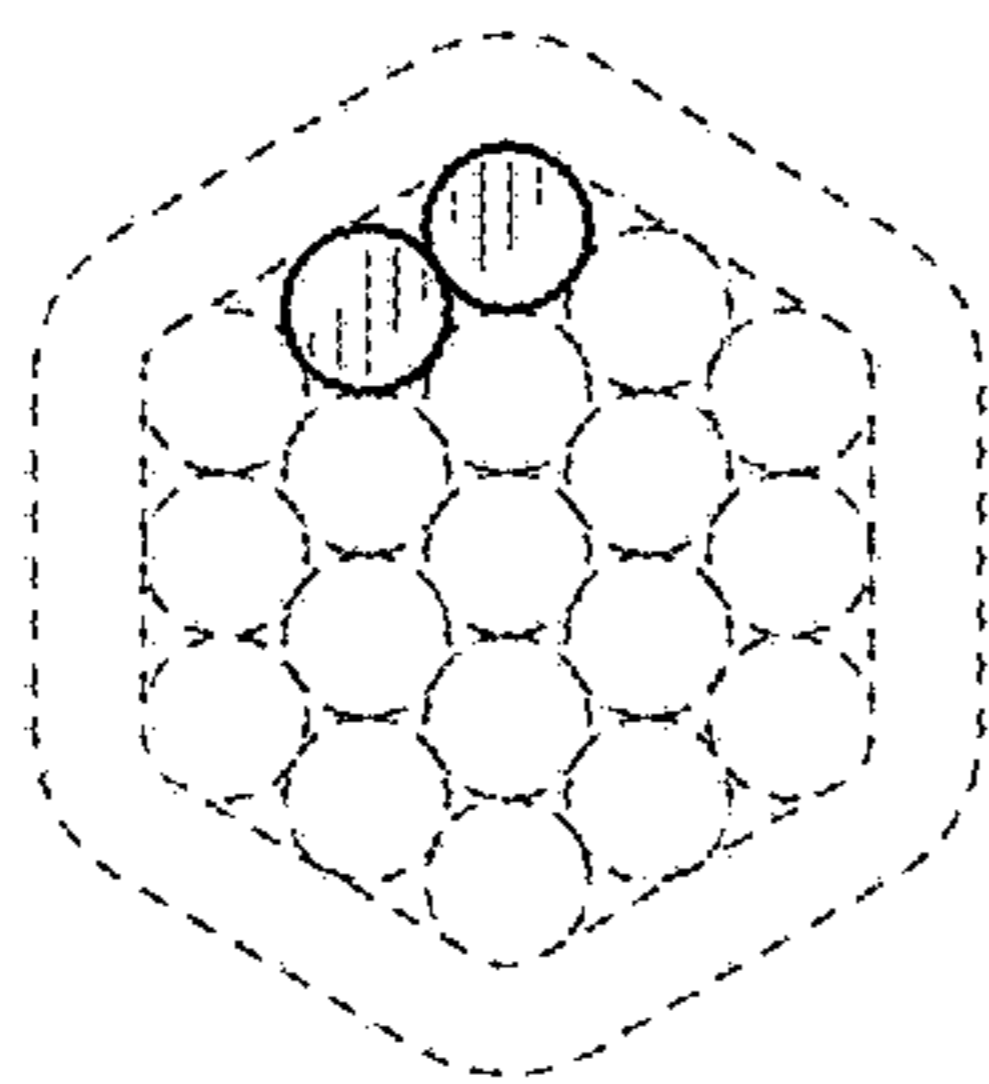


FIG. 23

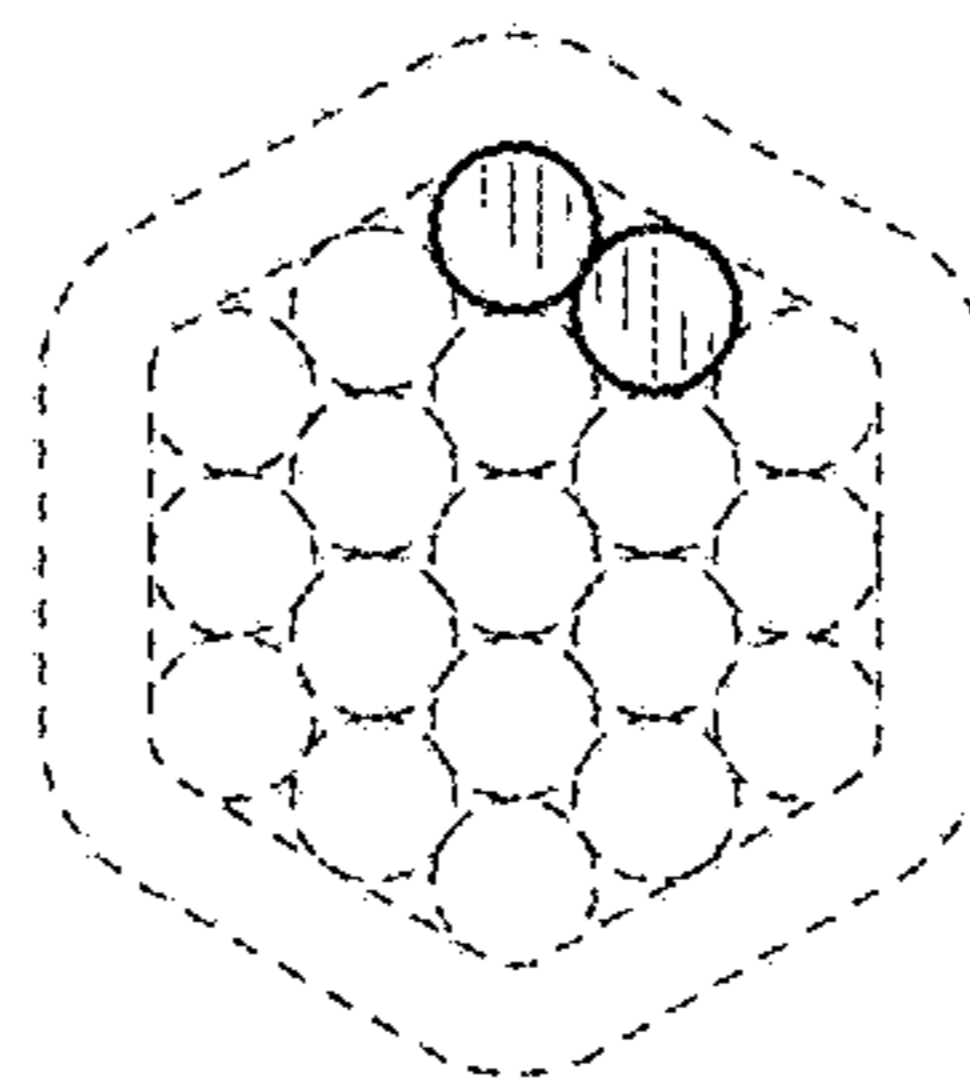


FIG. 24

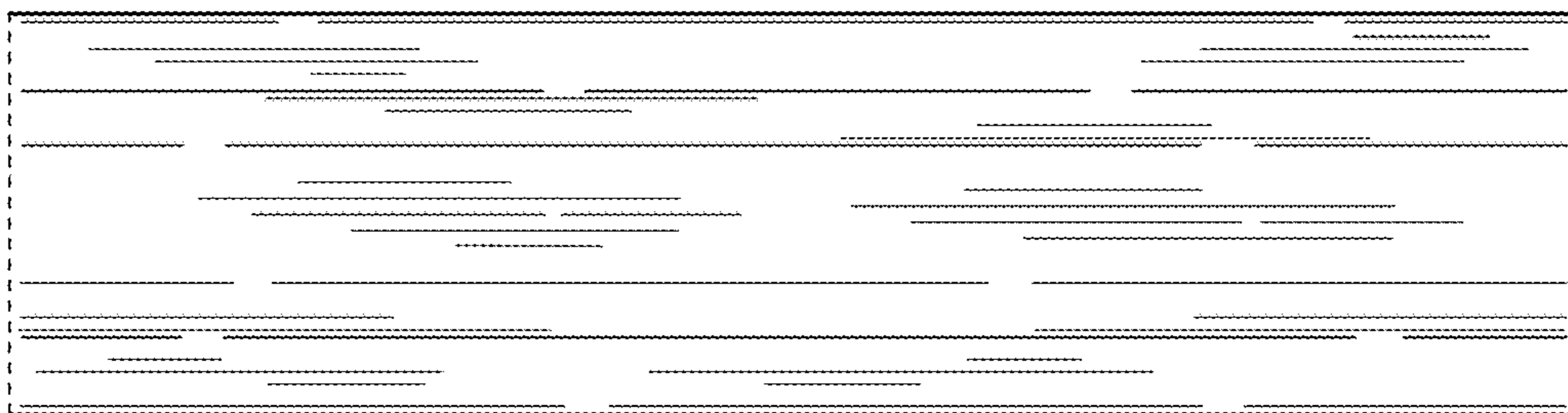


FIG. 25

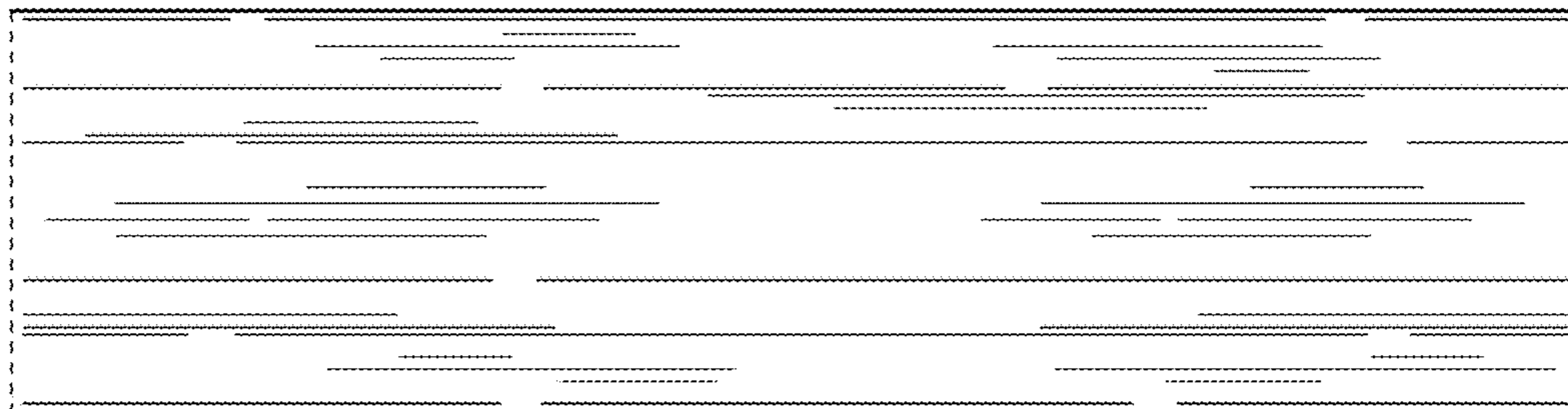


FIG. 26

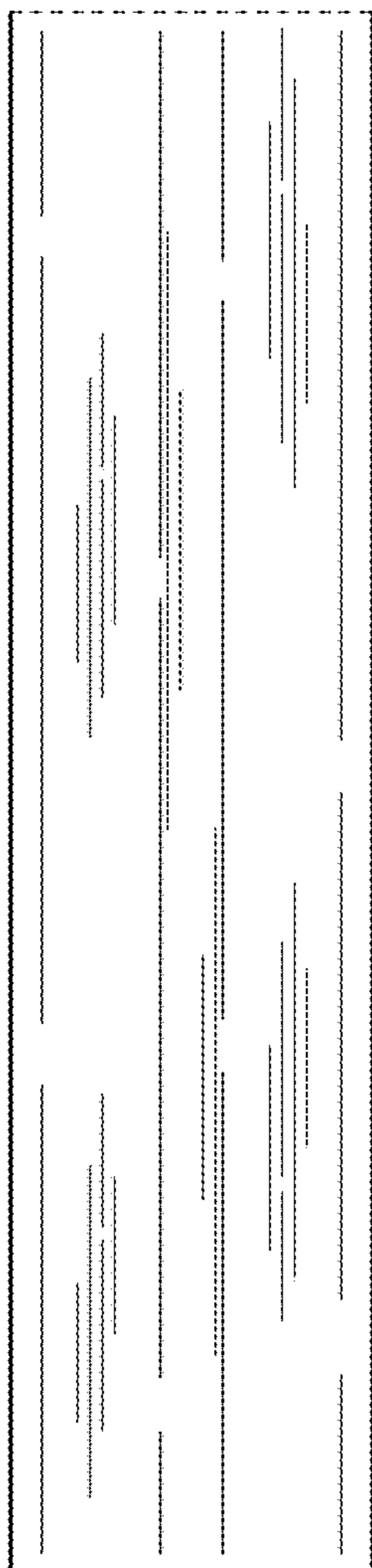


FIG. 27

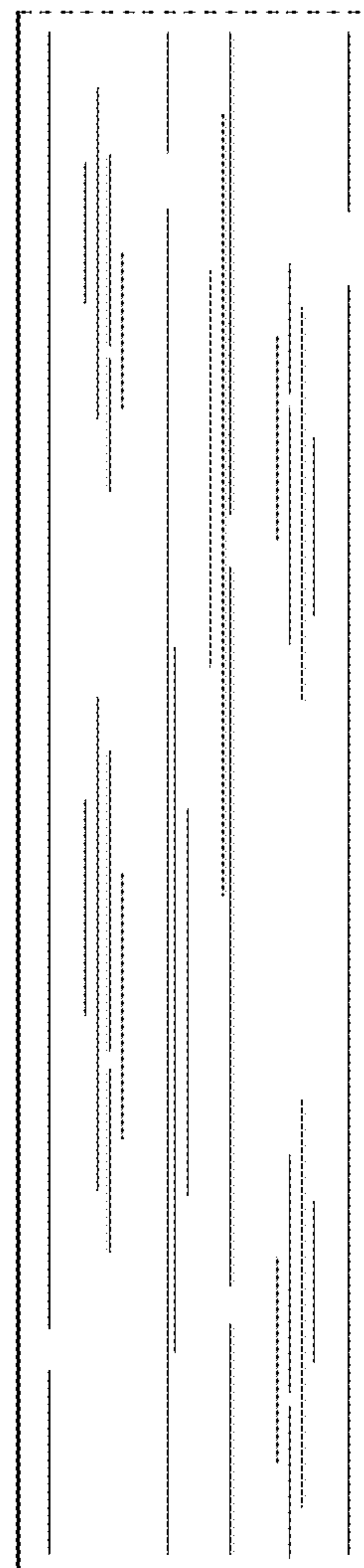


FIG. 28