



US00D830661S

(12) **United States Design Patent** (10) **Patent No.:** **US D830,661 S**
Jensen et al. (45) **Date of Patent:** **** Oct. 9, 2018**

(54) **HANDLE FOR SHOPPING CART**
(71) Applicant: **AMSA, Inc.**, Boulder, CO (US)
(72) Inventors: **Paul Jensen**, Boulder, CO (US);
Wilson Zeng, Foshan (CN); **Ivor Michel Walter**, Boulder, CO (US)
(73) Assignee: **AMSA, Inc.**, Boulder, CO (US)
(**) Term: **15 Years**
(21) Appl. No.: **29/583,691**
(22) Filed: **Nov. 8, 2016**
(51) **LOC (11) Cl.** **12-02**
(52) **U.S. Cl.**
USPC **D34/27**
(58) **Field of Classification Search**
USPC D34/27; D8/382
CPC B62B 3/14; B62B 3/1409; B62B 3/1472;
B62B 5/06; B62B 5/069
See application file for complete search history.

(56) **References Cited**
U.S. PATENT DOCUMENTS
D102,991 S 2/1937 Nelson
D178,445 S 7/1956 Young
D228,304 S 9/1973 Kerew et al.
D285,169 S * 8/1986 Resan D23/260
D293,883 S * 1/1988 Hirohata D8/382
D298,077 S 10/1988 Goodwin
4,968,544 A 11/1990 Knappe
D328,812 S 8/1992 Pritchett

(Continued)

OTHER PUBLICATIONS

Applicant AMSA, Inc. DBA VersaCart Systems Brochure for Orgill Spring Dealer Market 2015. 6 pages.

(Continued)

Primary Examiner — Cynthia Ramirez
(74) *Attorney, Agent, or Firm* — Polson Intellectual Property Law, PC; Margaret Polson

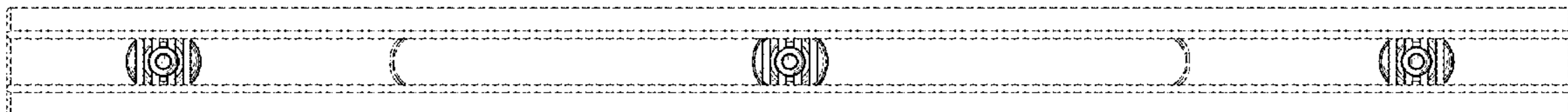
(57) **CLAIM**

The ornamental design for a handle for a shopping cart, as shown and described.

DESCRIPTION

FIG. 1 is a top plan view of my new design for a handle for a shopping cart.
FIG. 2 is a bottom plan view of FIG. 1.
FIG. 3 is a cross sectional view taken along line 3-3 of FIG. 2 of the handle for a shopping cart.
FIG. 4 is a side elevation view of the right and left sides, which are mirror images, of FIG. 1.
FIG. 5 is a top isometric view of FIG. 1.
FIG. 6 is a 250% enlargement of the circle on FIG. 3 to show detail.
FIG. 7 is a cross sectional view taken along line 7-7 of FIG. 3 with a 250% enlargement to show detail.
FIG. 8 is a cross sectional view taken along line 8-8 of FIG. 3 with 250% enlargement to show detail.
FIG. 9 is a 250% enlargement of the circle on FIG. 9 to show detail.
FIG. 10 is a top plan view of my new design for a handle for a shopping cart of FIG. 1 with the only difference being the broken lines to show the continued length of the handle and the disclaimed matter, it being understood that all other surfaces are the same as the other views of this embodiment.
FIG. 11 is a bottom plan view of FIG. 10.
FIG. 12 is a cross sectional view taken along line 12-12 of FIG. 11 of the handle for a shopping cart.
FIG. 13 is a side elevation view of the right and left sides, which are mirror images, of FIG. 10; and,
FIG. 14 is is a top isometric view of FIG. 10.
The features shown in broken lines in the drawing depict environmental subject matter only and form no part of the claimed design

1 Claim, 4 Drawing Sheets



(56)

References Cited

OTHER PUBLICATIONS

U.S. PATENT DOCUMENTS

D338,149 S 8/1993 Adams
 D341,691 S 11/1993 Begum et al.
 5,381,636 A * 1/1995 Kassardjian B29C 45/14065
 138/96 R
 5,427,392 A 6/1995 Duer
 5,439,253 A 8/1995 Trubiano
 D370,110 S 5/1996 Beam
 D375,600 S * 11/1996 Hirano D23/266
 D412,609 S 8/1999 Karp et al.
 D425,681 S * 5/2000 Johnson D34/27
 D453,077 S 1/2002 Chen
 D480,195 S 9/2003 Koerlin et al.
 D521,207 S 5/2006 Anderson et al.
 D521,911 S 5/2006 Gillett et al.
 D525,008 S * 7/2006 Hubbard D34/27
 D570,202 S * 6/2008 Katoh D8/382
 D635,733 S 4/2011 Willig et al.
 D707,009 S * 6/2014 Walter D34/27
 D728,889 S * 5/2015 Morin D34/27
 D732,260 S * 6/2015 Wiley D34/27
 D743,663 S * 11/2015 Hoffheimer D34/27
 D813,024 S * 3/2018 Neef D8/382
 D813,487 S * 3/2018 Eskridge D34/27
 2008/0303230 A1 12/2008 Somberg

Applicant AMSA, Inc. DBA VersaCart Systems Brochure for Orgill
 Fall Dealer Market 2015. 6 pages.
 Applicant AMSA, Inc. DBA VersaCart Systems Brochure for Orgill
 Fall Market 2012. 4 pages.
 Applicant AMSA, Inc. DBA VersaCart Systems Brochure for Orgill
 Spring Dealer Market 2014. 6 pages.
 Applicant AMSA, Inc. DBA VersaCart Systems Brochure for Orgill
 Fall Dealer Market 2014. 6 pages.
 Applicant AMSA, Inc. DBA VersaCart Systems Retail & Distribu-
 tion Catalog 2008. 50 pages.
 Applicant AMSA, Inc. DBA VersaCart Systems Brochure for ACE
 Spring Convention 2013. 4 pages.
 Applicant AMSA, Inc. DBA VersaCart Systems Brochure for ACE
 Spring Convention 2014. 4 pages.
 Applicant AMSA, Inc. DBA VersaCart Systems Brochure for ACE
 Spring Convention 2015. 4 pages.
 Applicant AMSA, Inc. DBA VersaCart Systems Brochure for ACE
 Spring Convention 2016. 4 pages.
 Applicant AMSA, Inc. DBA VersaCart Systems Brochure for ACE
 Spring Market 2012. 2 pages.
 Photograph of handle owned by applicant.
 Schematic design of handle owned by applicant.

* cited by examiner

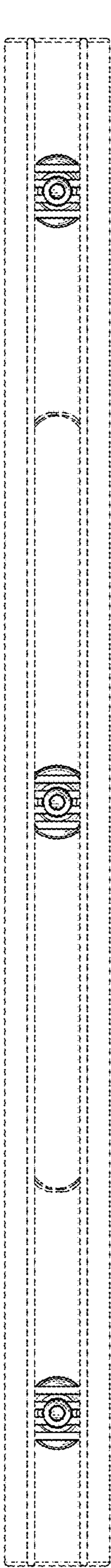


FIG. 1

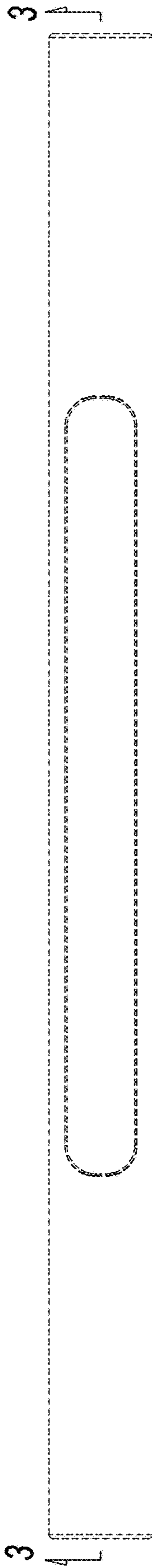


FIG. 2

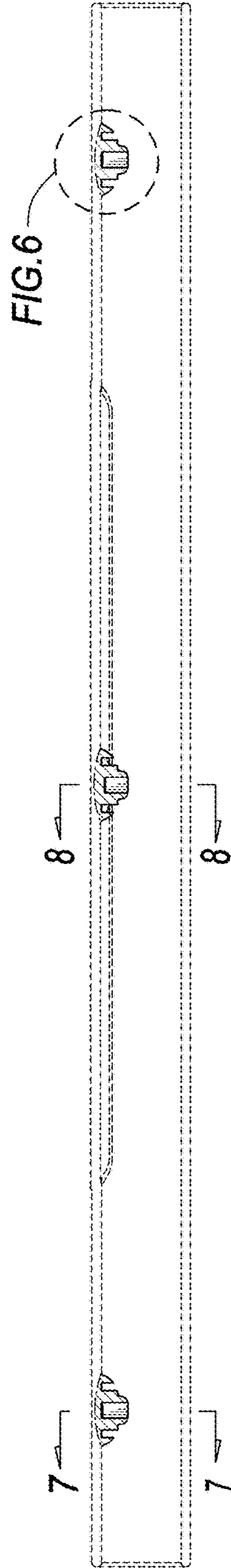
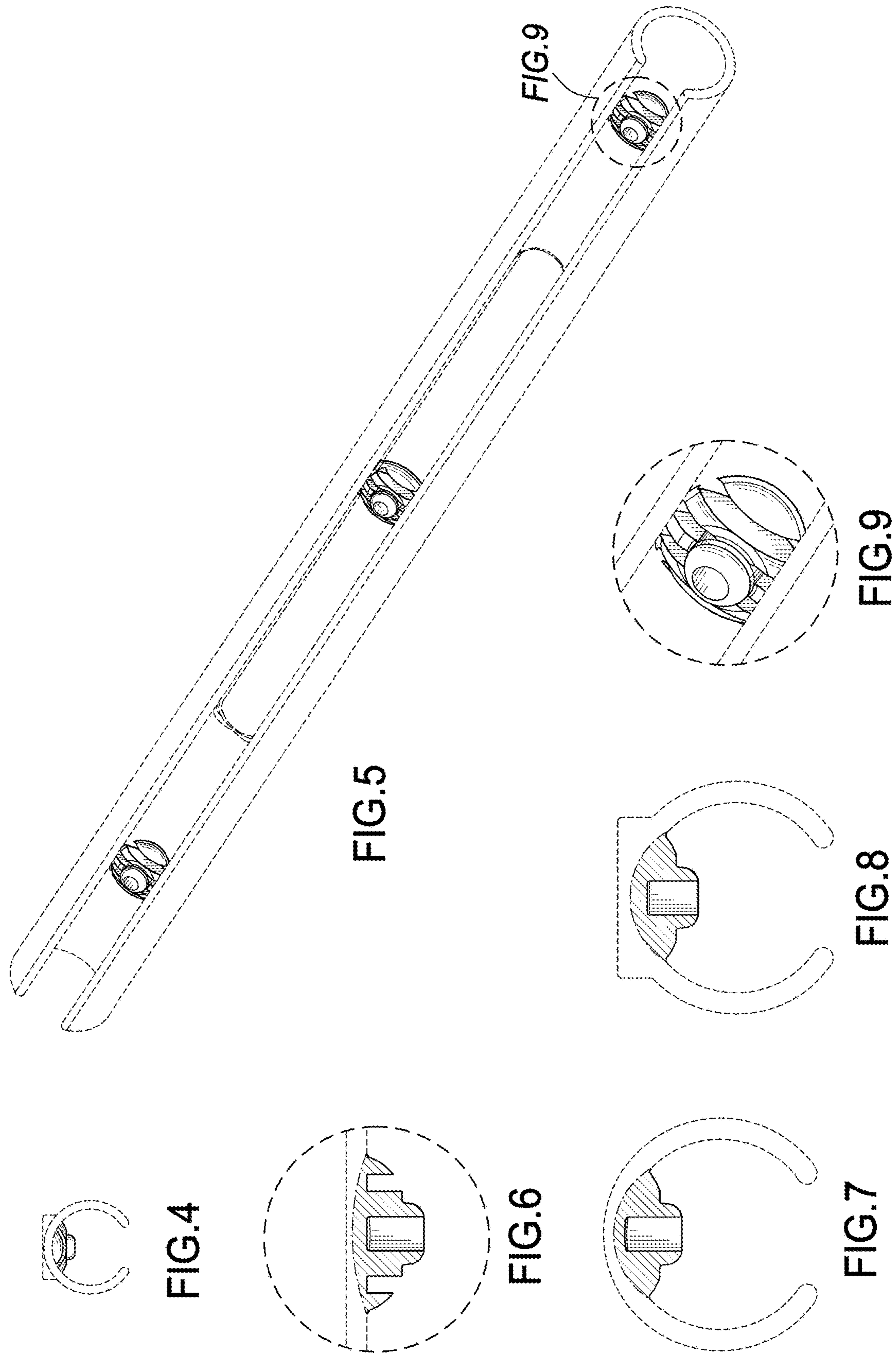


FIG. 3



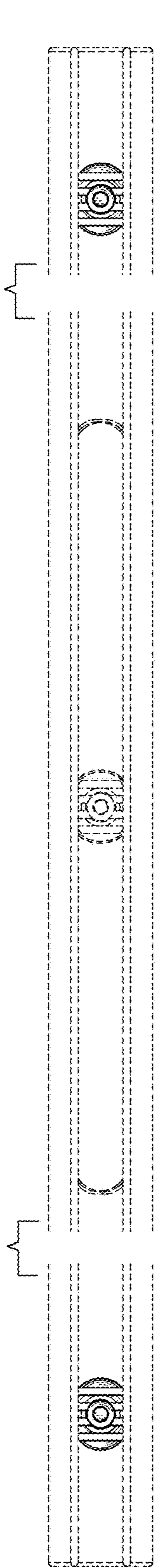


FIG. 10

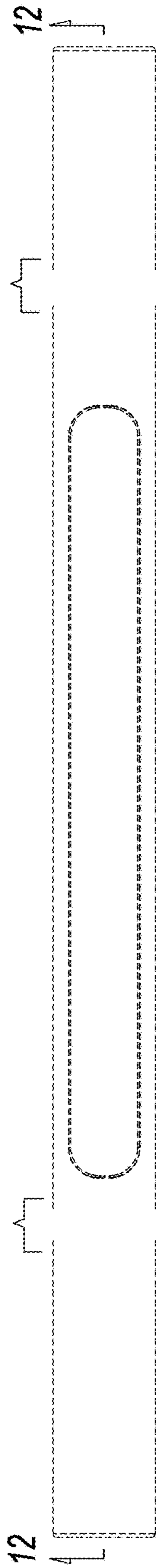


FIG. 11

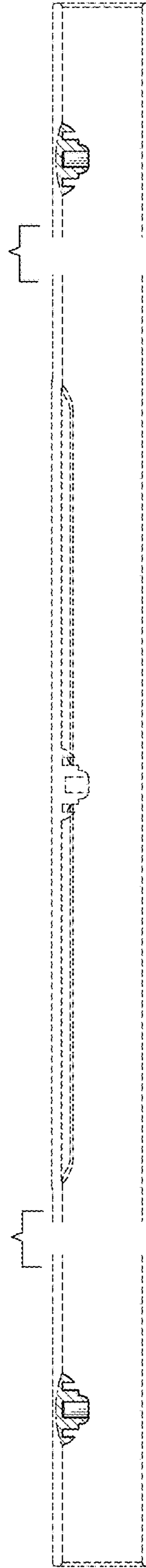


FIG. 12

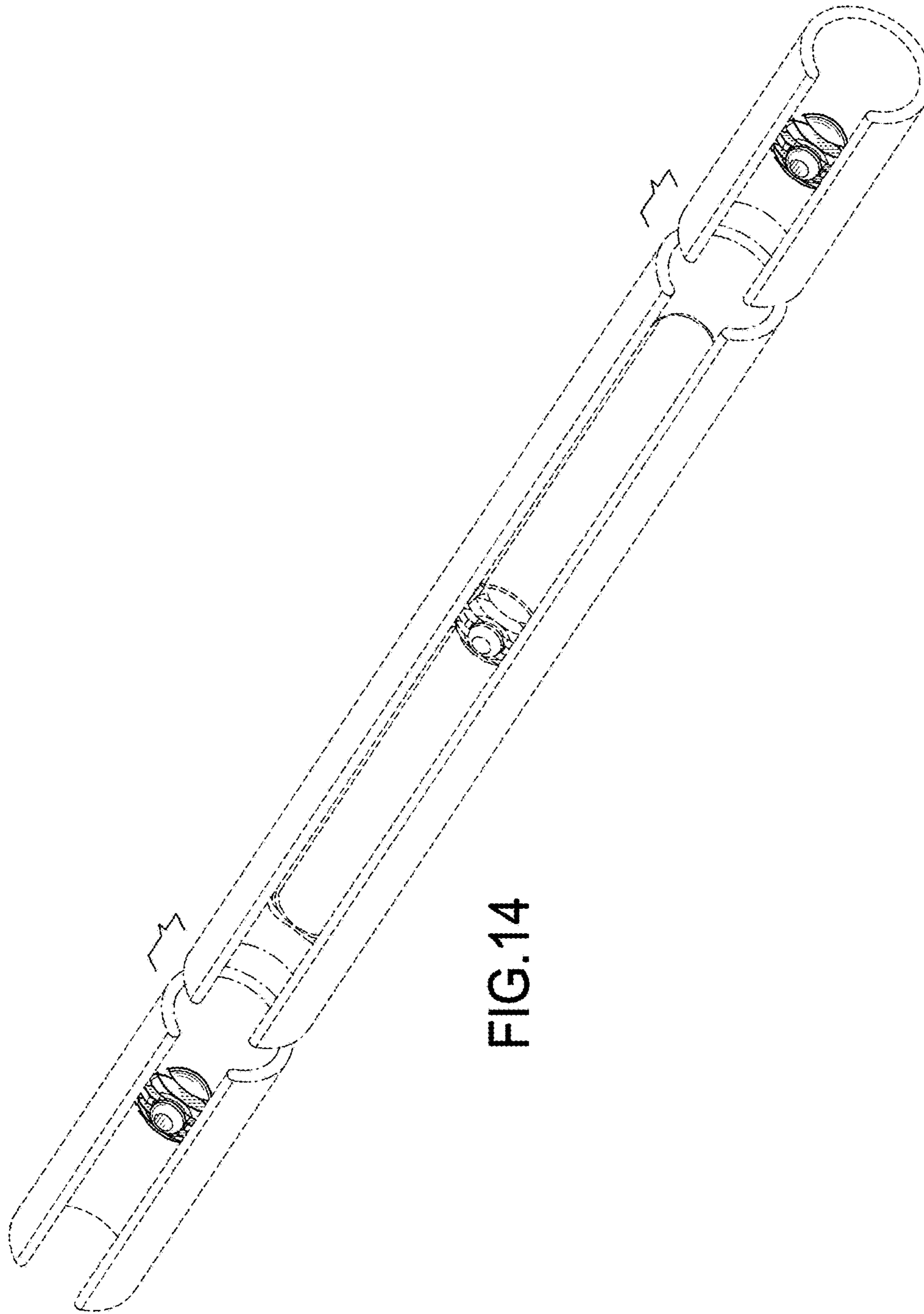


FIG. 14

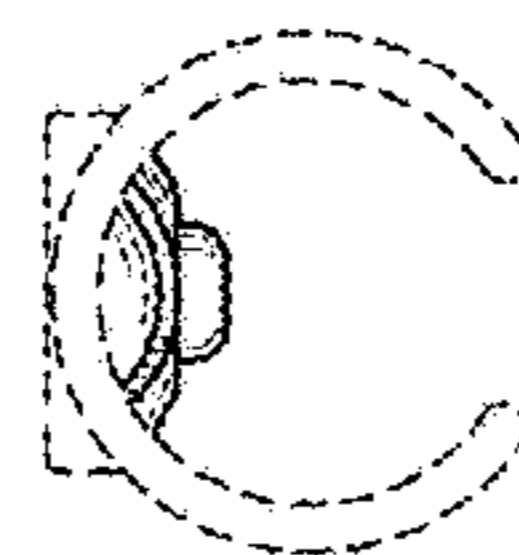


FIG. 13