



US00D830655S

(12) **United States Design Patent**
Kim et al.

(10) **Patent No.:** **US D830,655 S**
(45) **Date of Patent:** **** Oct. 9, 2018**

(54) **VACUUM CLEANER**

(71) Applicant: **Samsung Electronics Co., Ltd.**,
Suwon-si (KR)

(72) Inventors: **Tae-Kwang Kim**, Suwon-si (KR);
Dong-Hyun Lee, Hwaseong-si (KR);
Won-Kyu Lim, Suwon-si (KR)

(73) Assignee: **Samsung Electronics Co., Ltd.**,
Suwon-si (KR)

(**) Term: **15 Years**

(21) Appl. No.: **29/594,769**

(22) Filed: **Feb. 22, 2017**

(30) **Foreign Application Priority Data**

Nov. 30, 2016 (KR) 30-2016-0057837

(51) **LOC (11) Cl.** **15-05**

(52) **U.S. Cl.**
USPC **D32/31**

(58) **Field of Classification Search**
USPC D32/17, 31-33, 25

(Continued)

(56) **References Cited**

U.S. PATENT DOCUMENTS

D228,148 S * 8/1973 Kramer D32/32
D294,414 S * 2/1988 Berfield D32/31

(Continued)

Primary Examiner — Ruth McInroy

(74) *Attorney, Agent, or Firm* — NSIP Law

(57) **CLAIM**

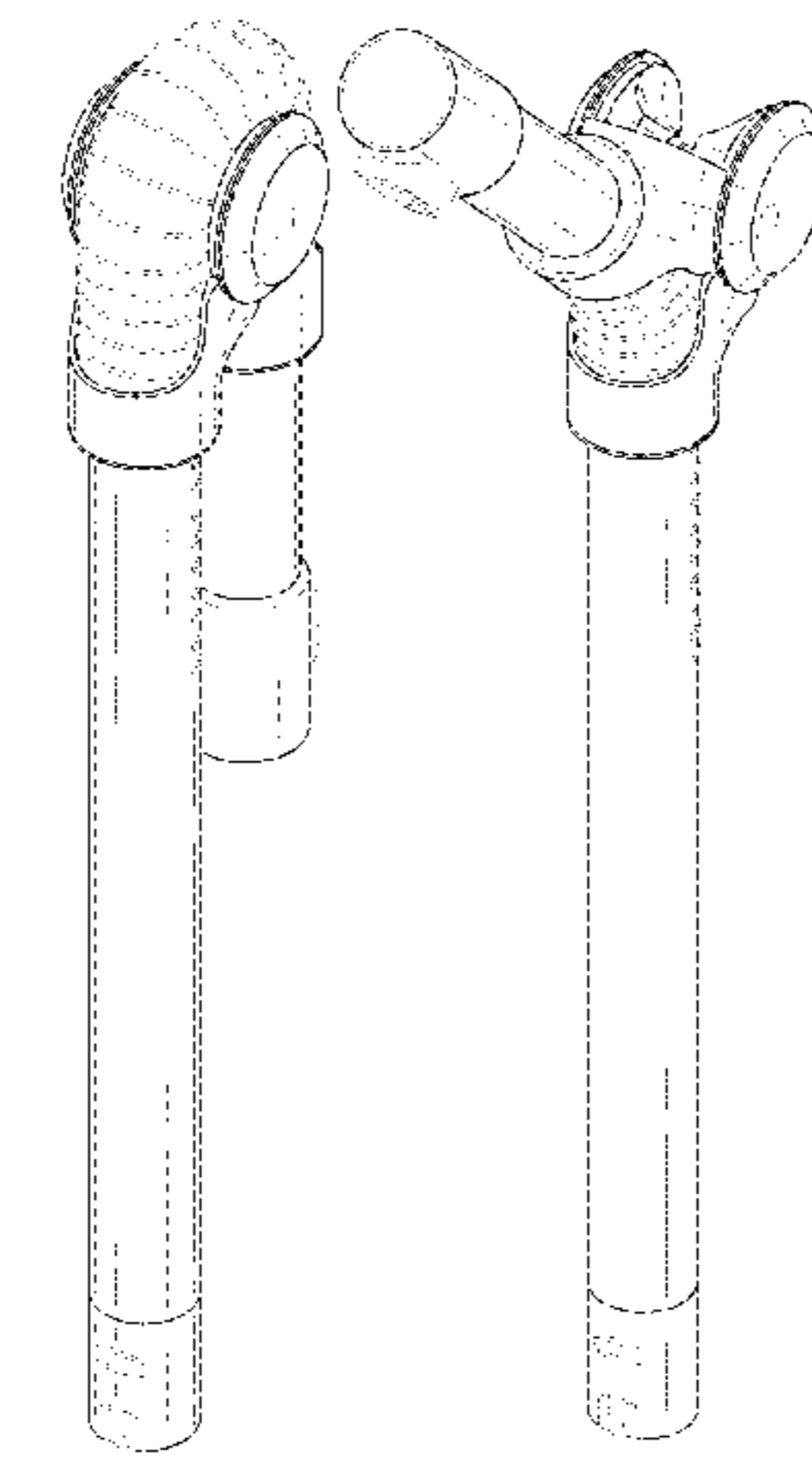
We claim the ornamental design for a vacuum cleaner, as shown and described.

DESCRIPTION

FIG. 1 is a front perspective view of a vacuum cleaner showing our new design;

FIG. 2 is a front elevational view thereof;
FIG. 3 is a rear elevational view thereof;
FIG. 4 is a left-side elevational view thereof;
FIG. 5 is a right-side elevational view thereof;
FIG. 6 is a top plan view thereof;
FIG. 7 is a bottom plan view thereof;
FIG. 8 is a rear perspective view thereof;
FIG. 9 is a front perspective view of the vacuum cleaner shown in an alternate position;
FIG. 10 is a front elevational view thereof;
FIG. 11 is a rear elevational view thereof;
FIG. 12 is a left-side elevational view thereof;
FIG. 13 is a right-side elevational view thereof;
FIG. 14 is a top plan view thereof;
FIG. 15 is a bottom plan view thereof;
FIG. 16 is a rear perspective view thereof;
FIG. 17 is a front perspective view of the vacuum cleaner shown in an alternate position;
FIG. 18 is a front elevational view thereof;
FIG. 19 is a rear elevational view thereof;
FIG. 20 is a left-side elevational view thereof;
FIG. 21 is a right-side elevational view thereof;
FIG. 22 is a top plan view thereof;
FIG. 23 is a bottom plan view thereof;
FIG. 24 is a rear perspective view thereof;
FIG. 25 is an enlarged view of the encircled portion in FIG. 5;
FIG. 26 is an enlarged view of the encircled portion in FIG. 8;
FIG. 27 is an enlarged view of the encircled portion in FIG. 6;
FIG. 28 is an enlarged view of the encircled portion in FIG. 7;
FIG. 29 is an enlarged view of the encircled portion in FIG. 14; and,
FIG. 30 is an enlarged view of the encircled portion in FIG. 15.
The broken lines in the figures depict environmental subject matter and form no part of the claimed design.
The dot-dash broken lines encircling portions of the claimed design that are illustrated in enlargements form no part of the claimed design.

1 Claim, 24 Drawing Sheets



(58) **Field of Classification Search**

CPC ... A47L 9/02; A47L 9/242; A47L 9/24; A47L
9/06; A47L 11/4044; A47L 5/34; A47L
5/362; A47L 5/36; A47L 5/14

See application file for complete search history.

(56) **References Cited**

U.S. PATENT DOCUMENTS

5,195,209 A * 3/1993 Watkins A47L 5/36
15/327.5
D346,248 S * 4/1994 Patterson D32/31
D368,996 S * 4/1996 Boyer D32/32
5,586,360 A * 12/1996 Diederiks, Jr. A47L 9/02
15/410
D391,704 S * 3/1998 Facer D32/32
5,996,175 A * 12/1999 Fusco A46B 5/0075
15/144.1
6,695,352 B2 * 2/2004 Park A47L 9/242
15/414
D488,271 S * 4/2004 Schroter D32/31
D565,263 S * 3/2008 Wishney D32/32
7,353,564 B2 * 4/2008 Wertz A47L 5/36
15/327.5
D576,365 S * 9/2008 Wishney D32/32
D622,016 S * 8/2010 Hofmann-Kay D32/32
8,813,297 B2 * 8/2014 Rosenzweig A47L 5/28
15/144.1
9,215,960 B2 * 12/2015 Conrad A47L 9/2857
D796,759 S * 9/2017 Tucker D32/18

* cited by examiner

FIG. 1

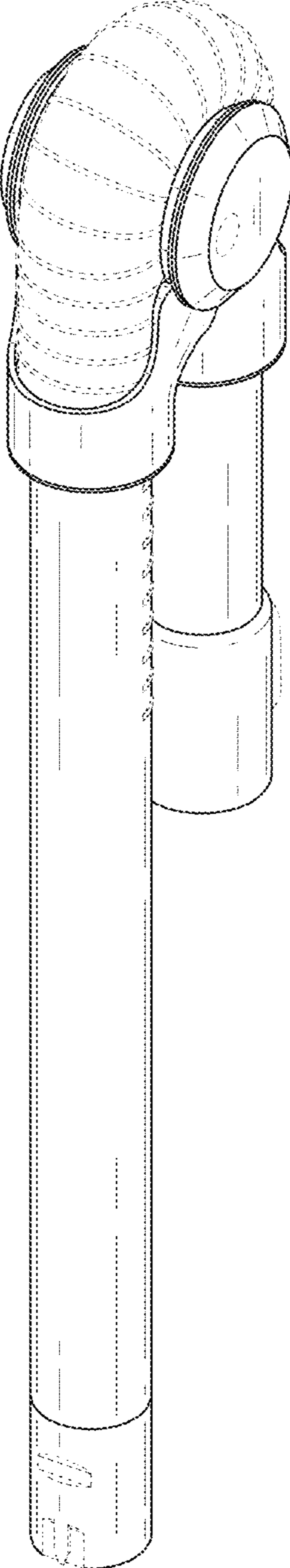


FIG. 2

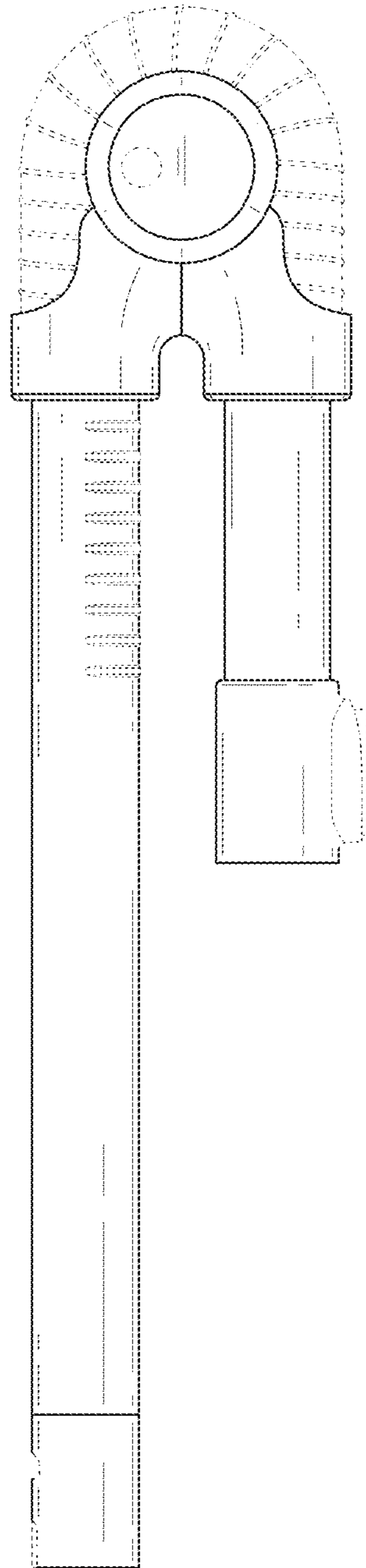


FIG. 3

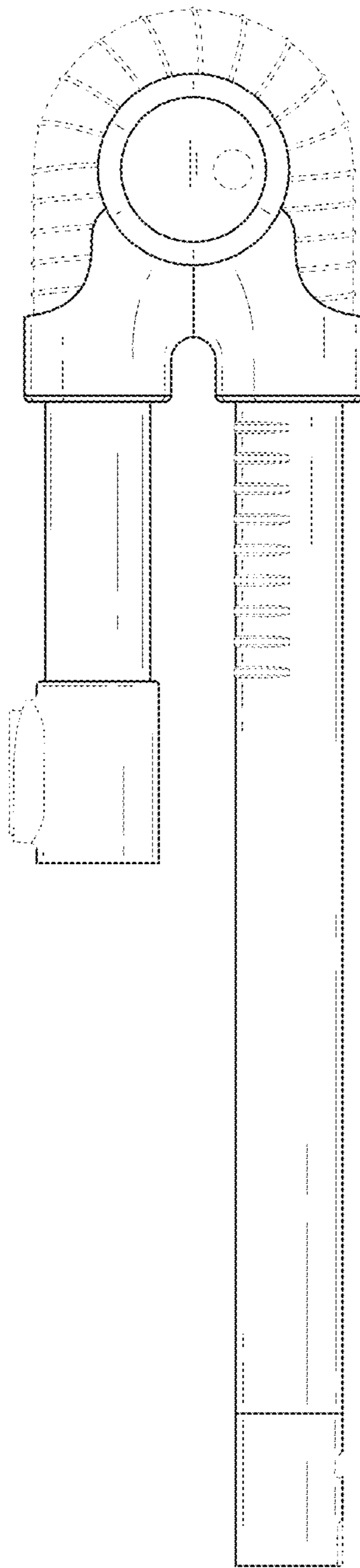


FIG. 4

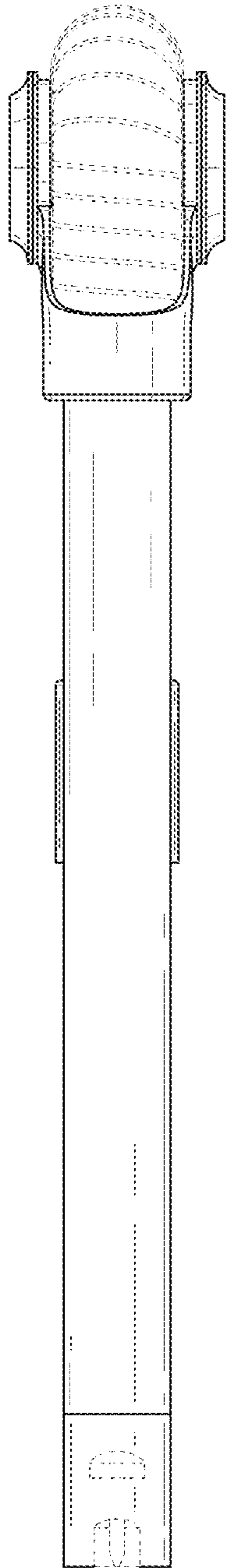


FIG. 5

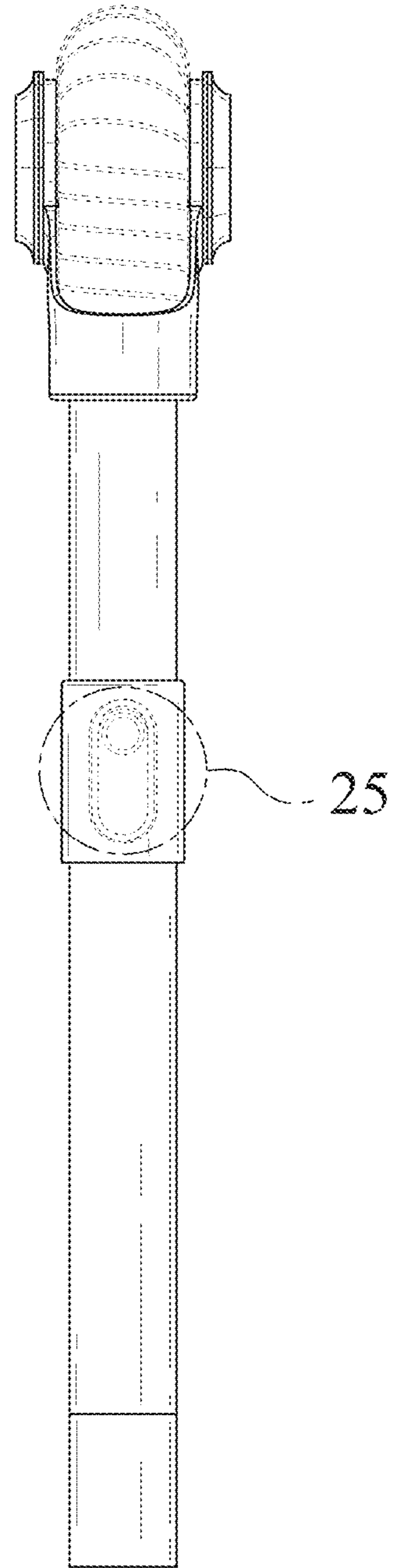


FIG. 6

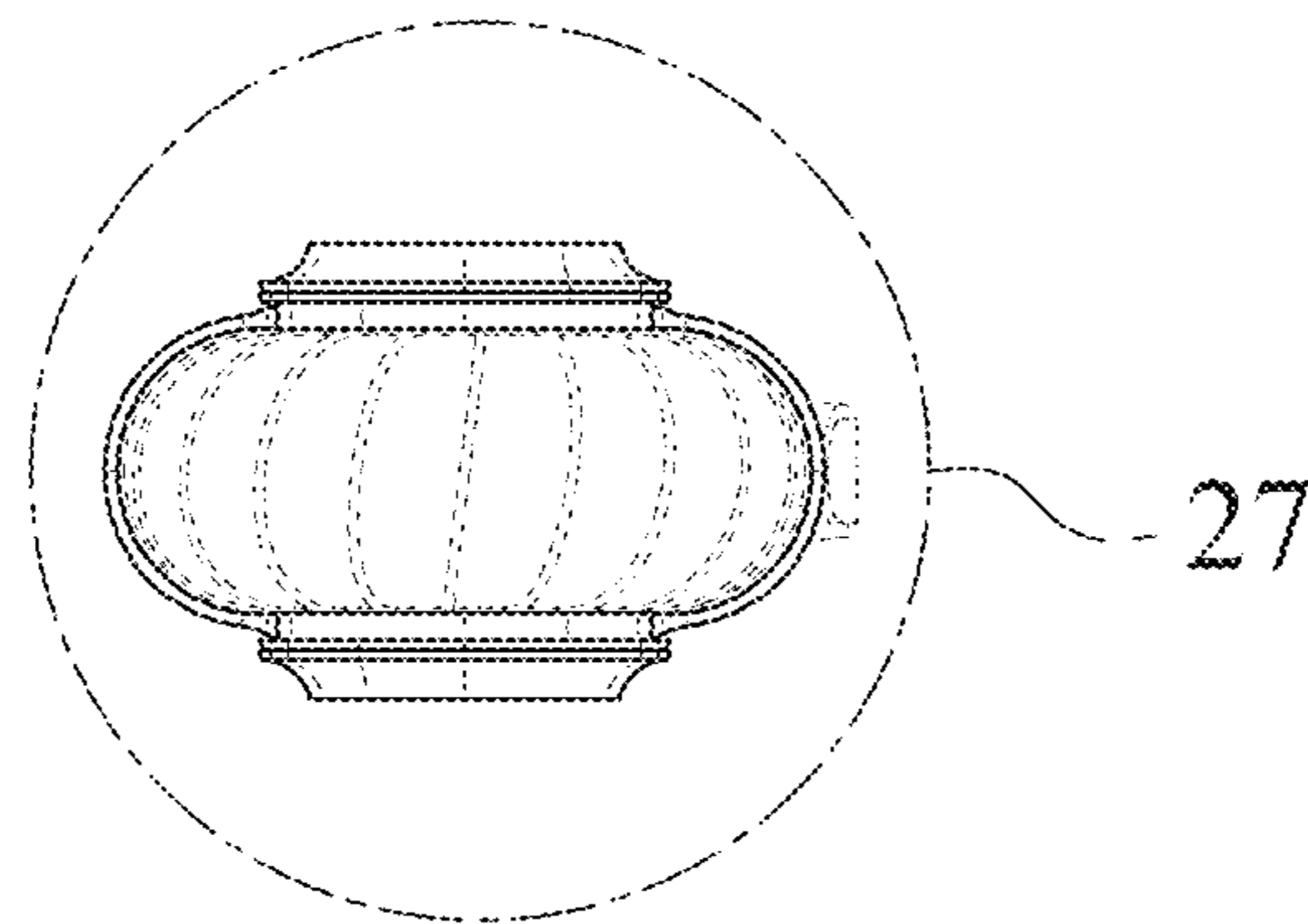


FIG. 7

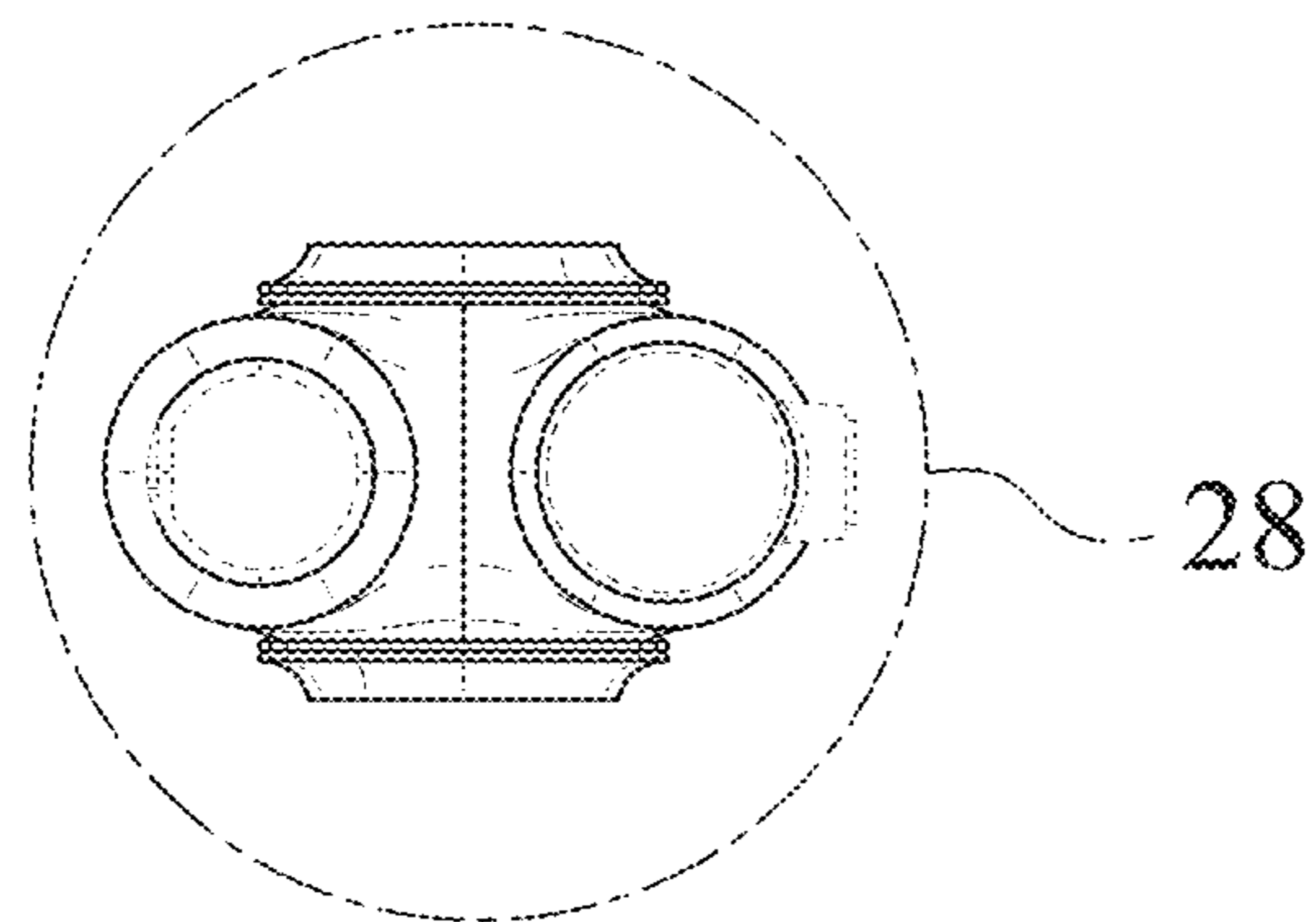


FIG. 8

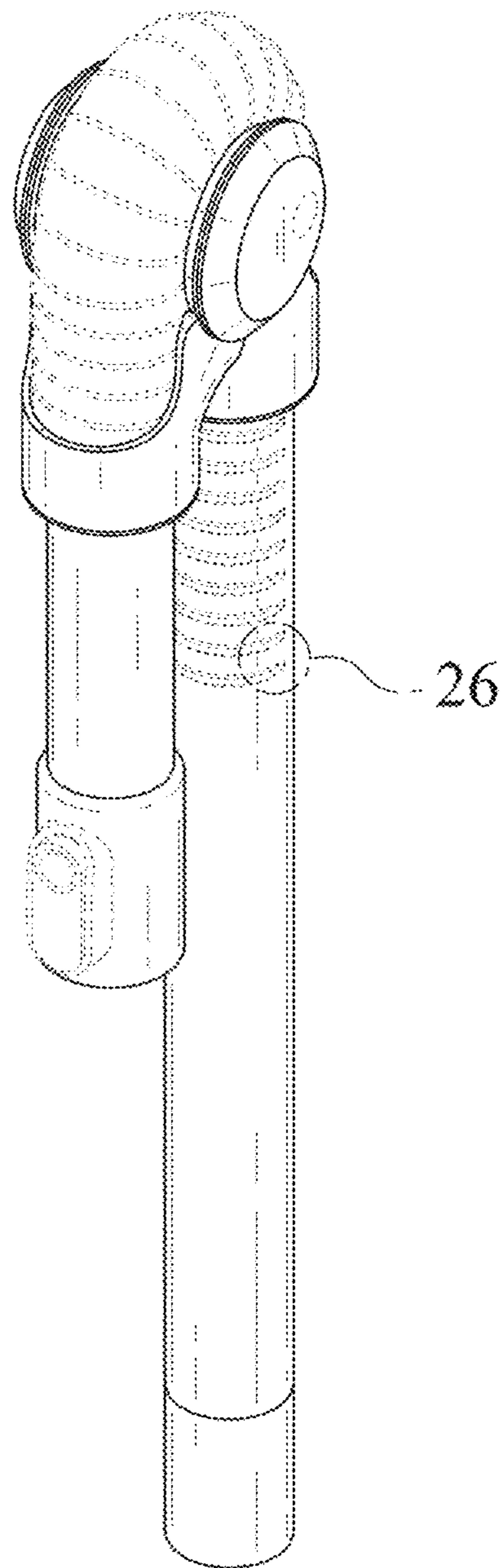


FIG. 9

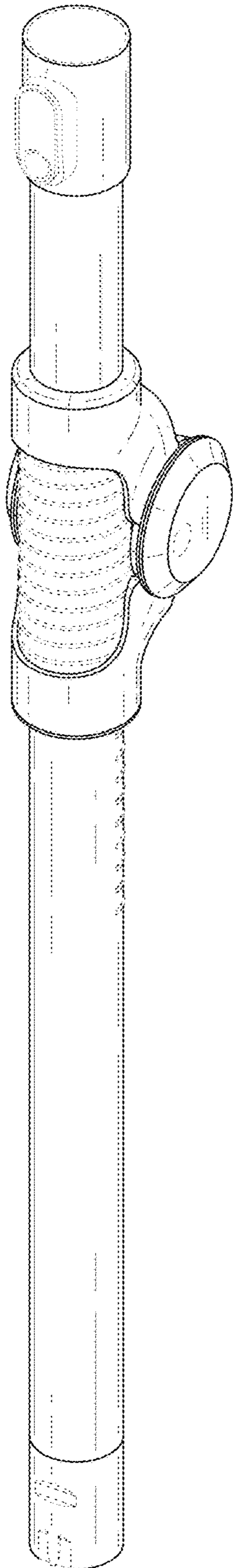


FIG. 10

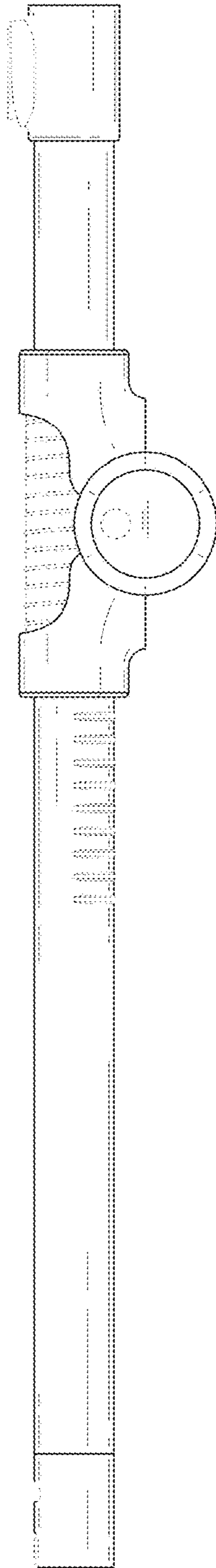


FIG. 11

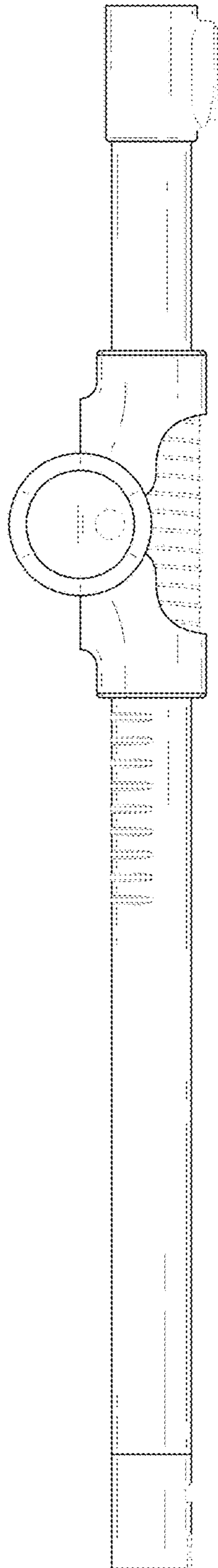


FIG. 12

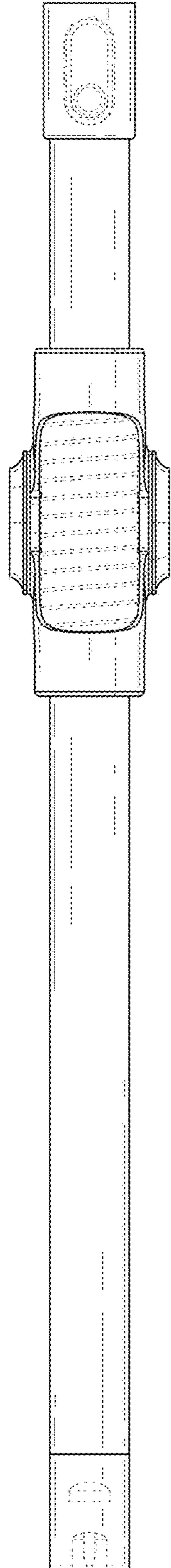


FIG. 13

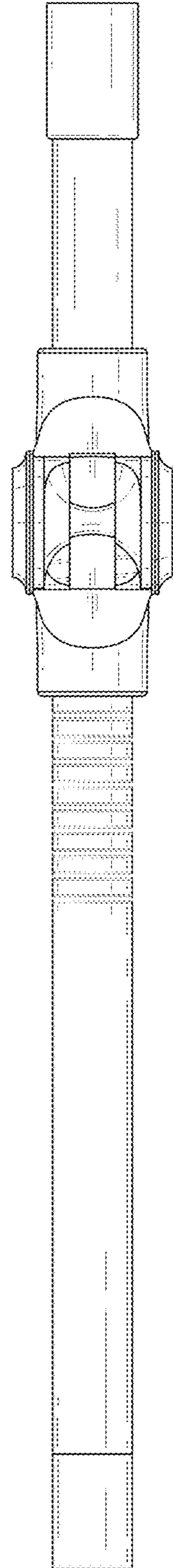


FIG. 14

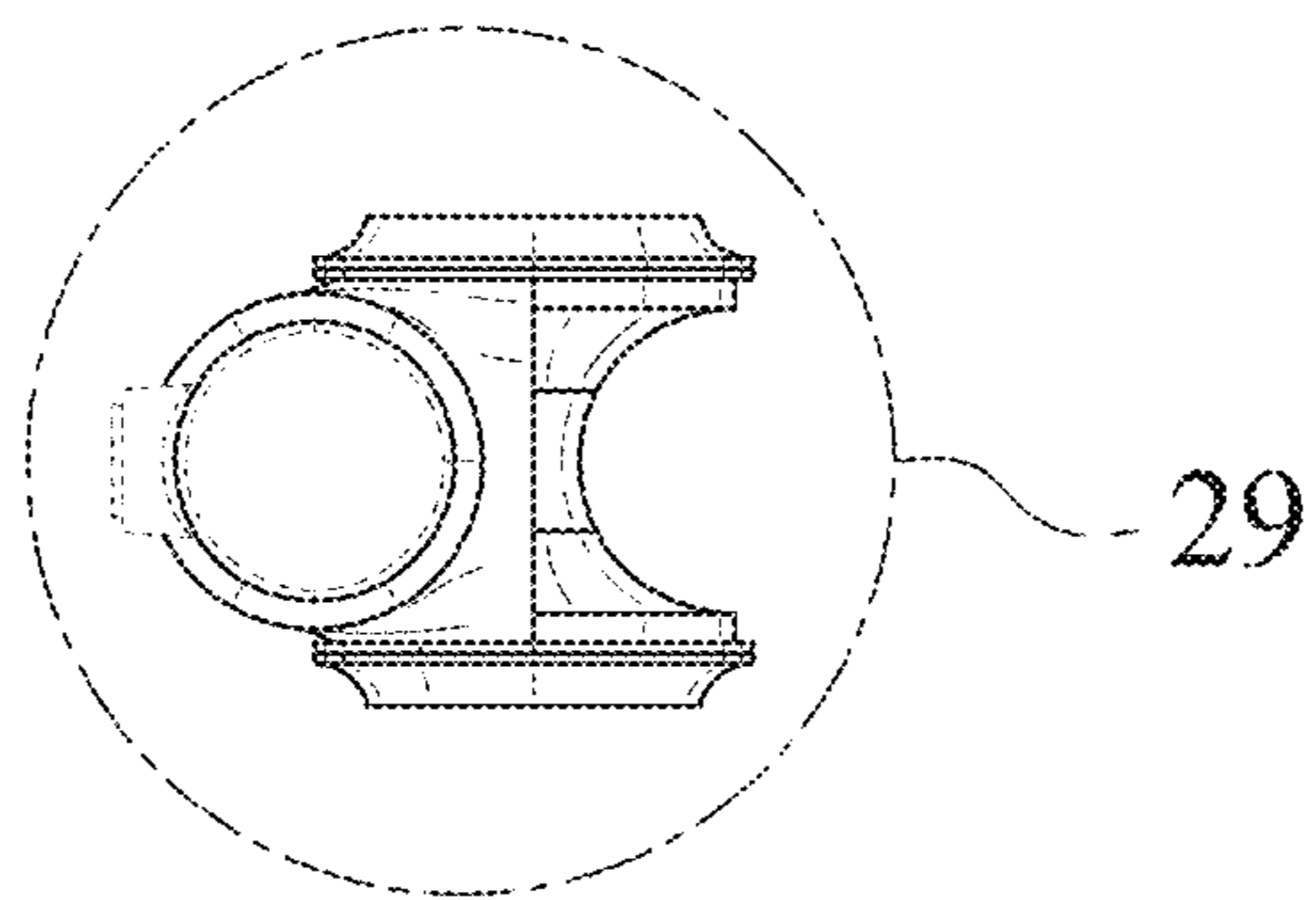


FIG. 15

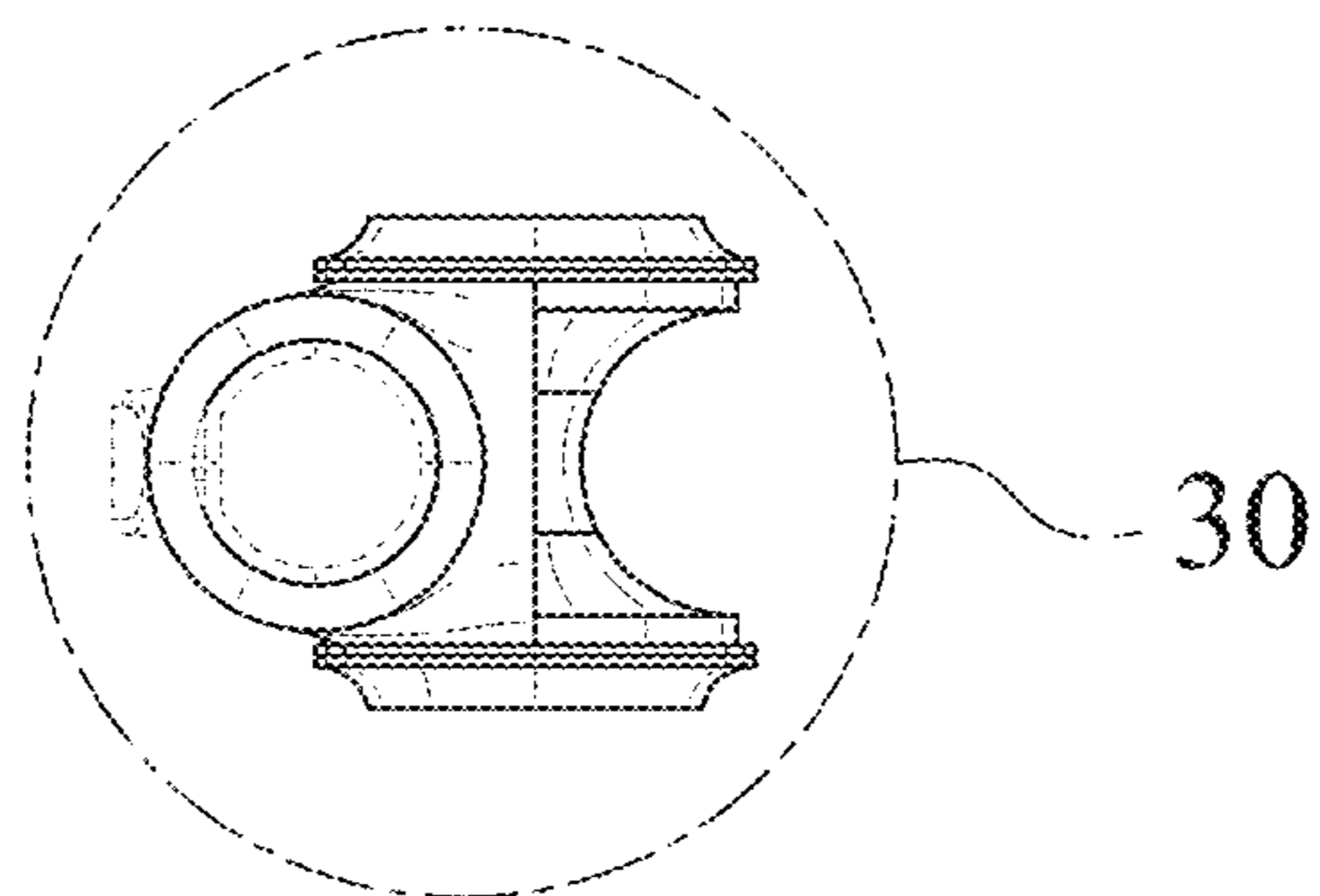


FIG. 16

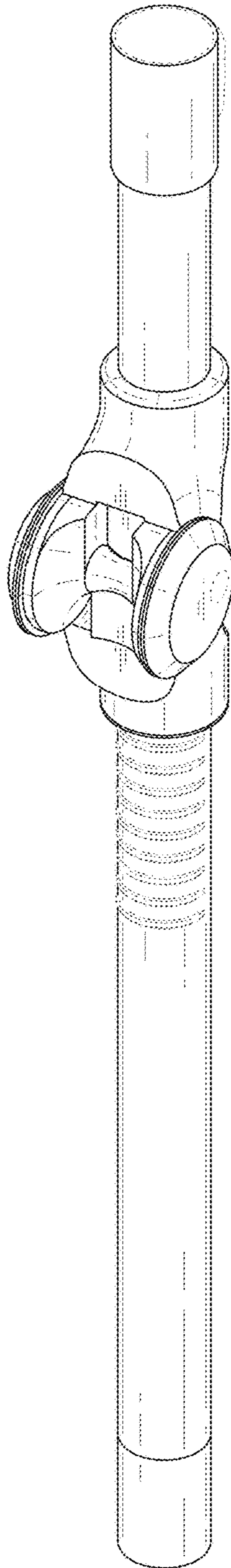


FIG. 17

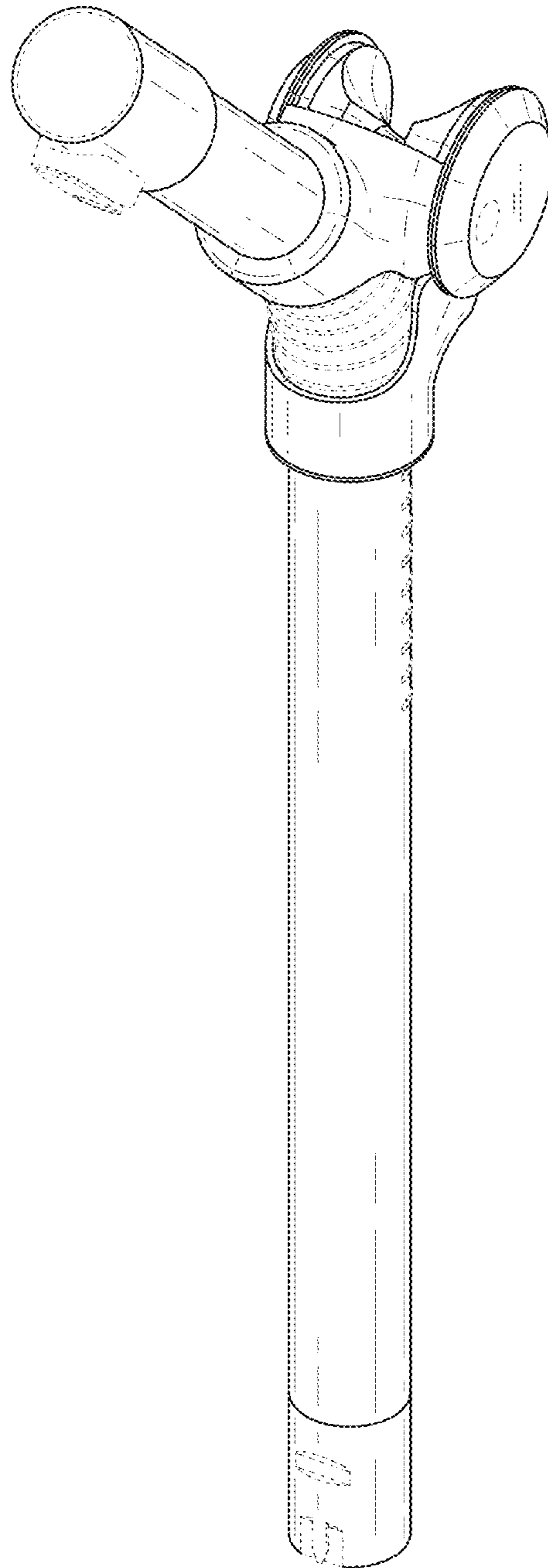


FIG. 18

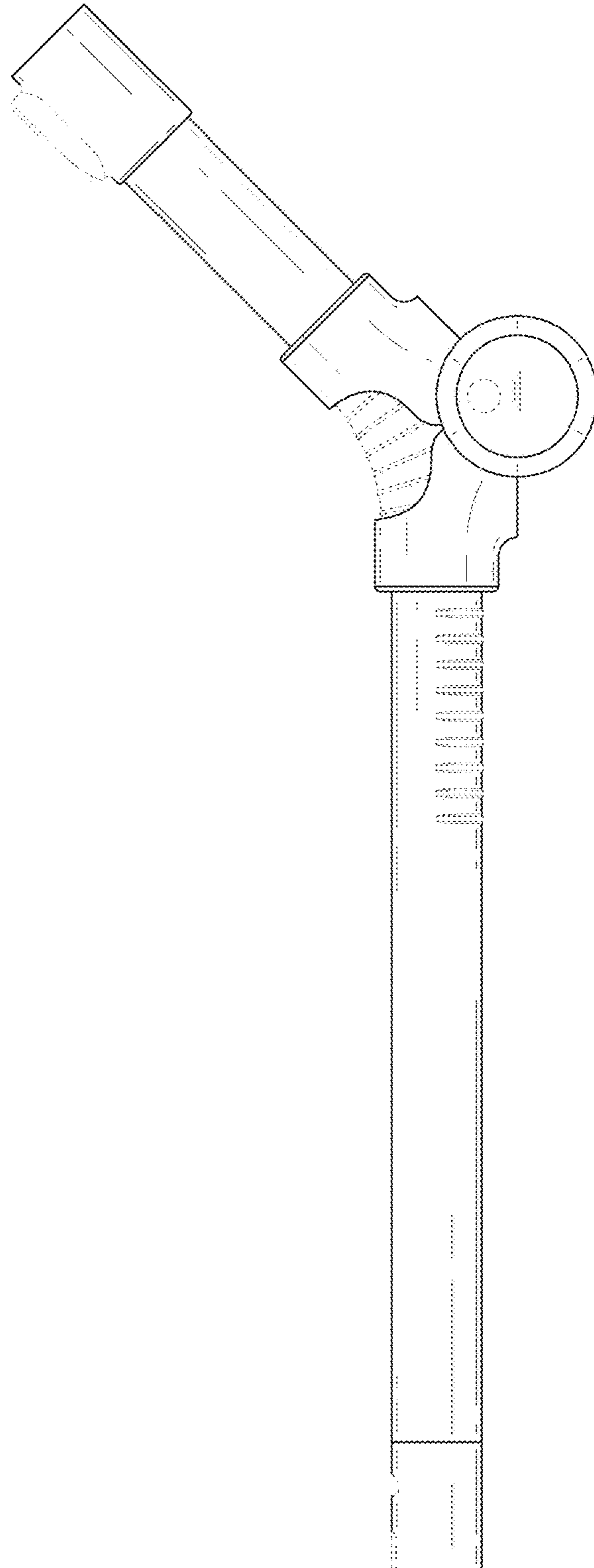


FIG. 19

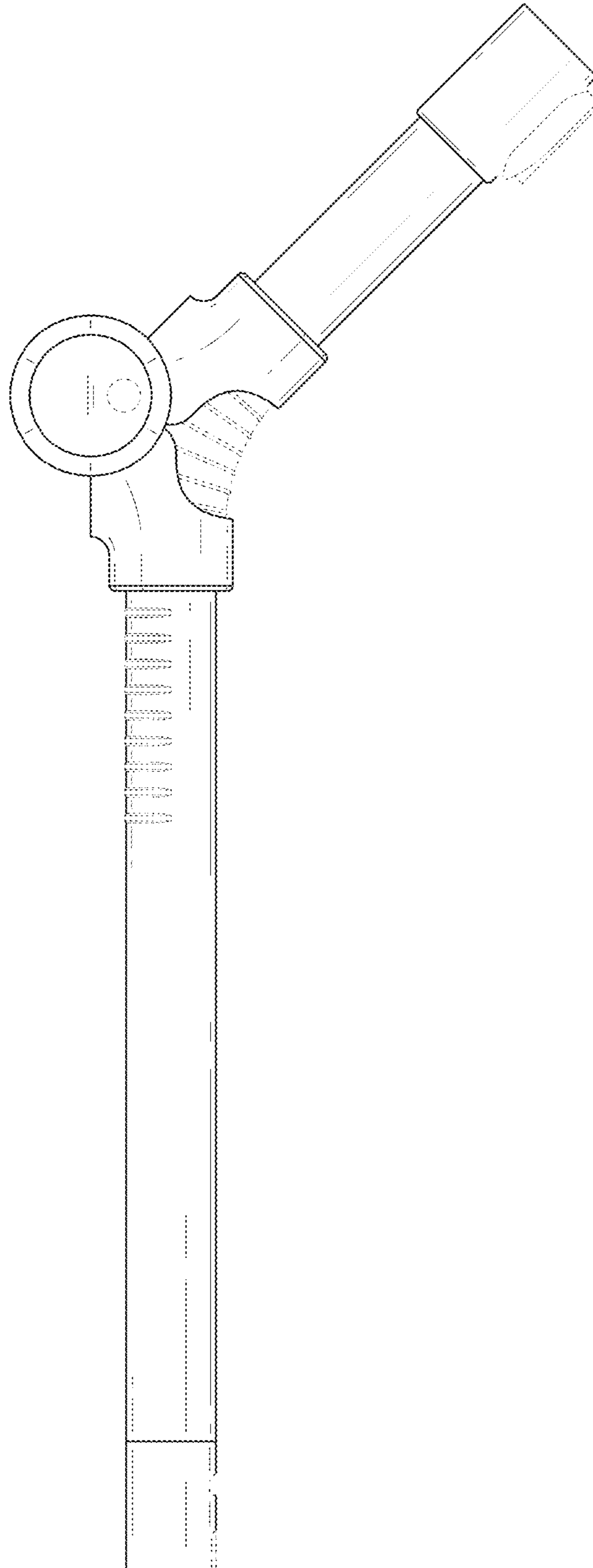


FIG. 20

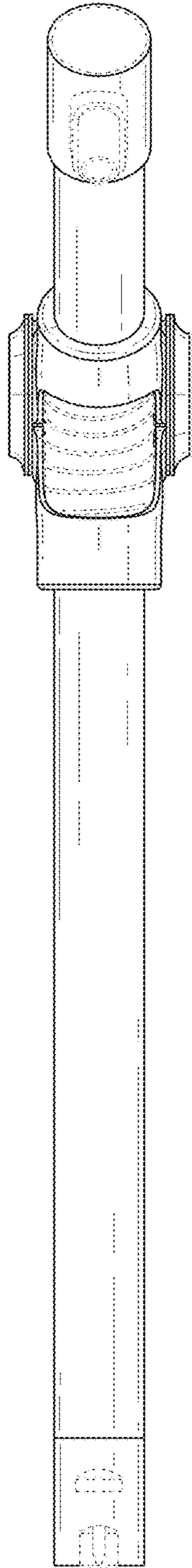


FIG. 21

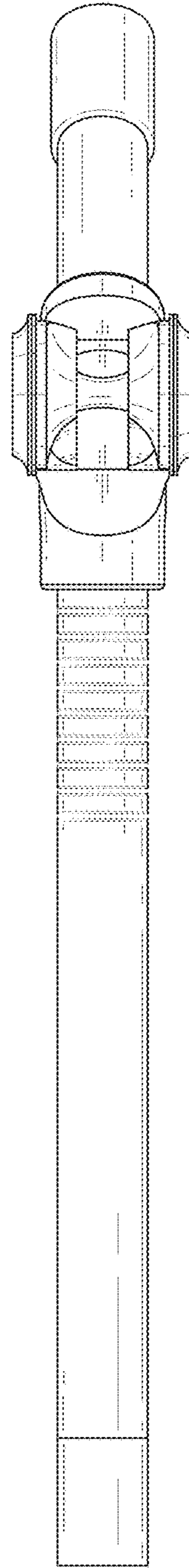


FIG. 22

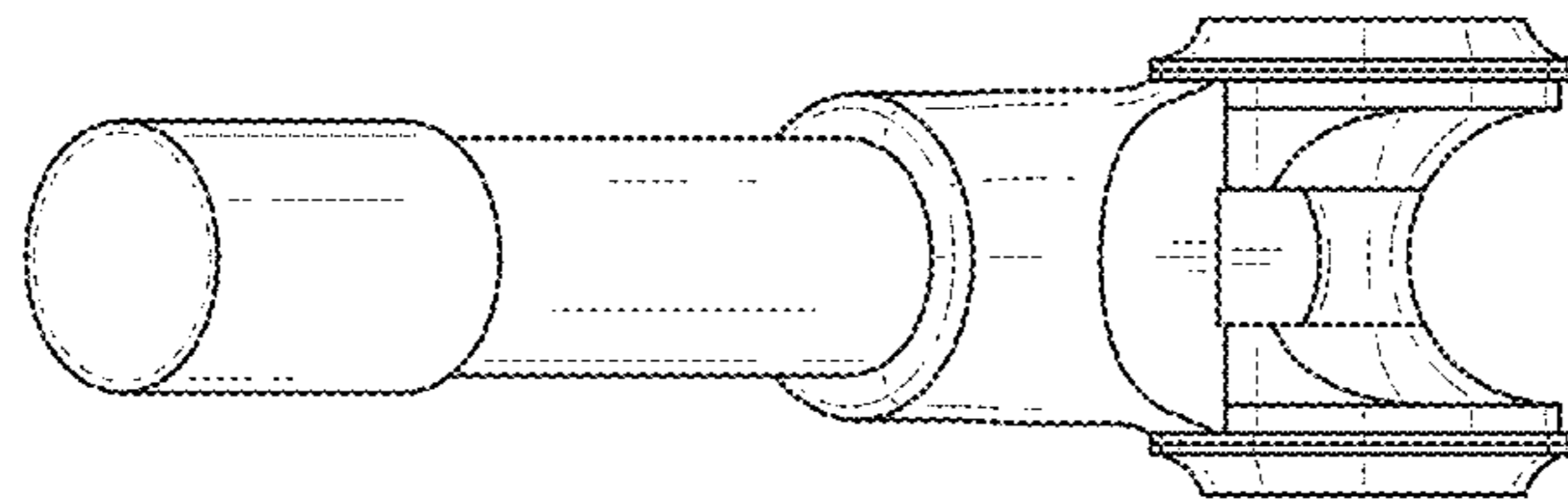


FIG. 23

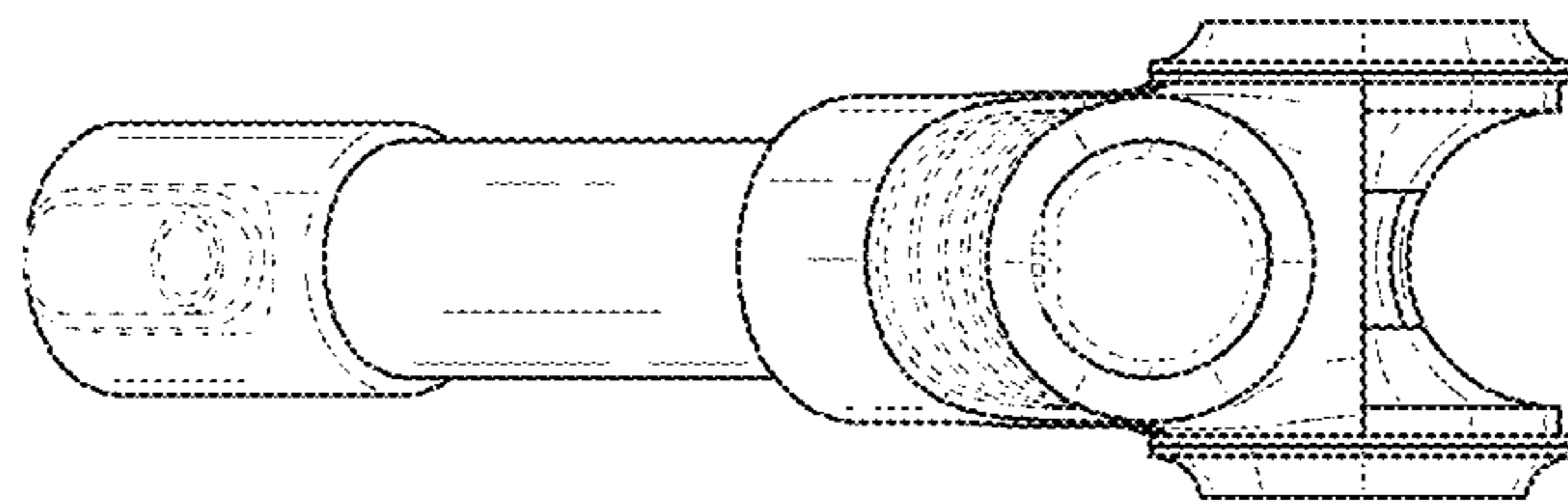


FIG. 24

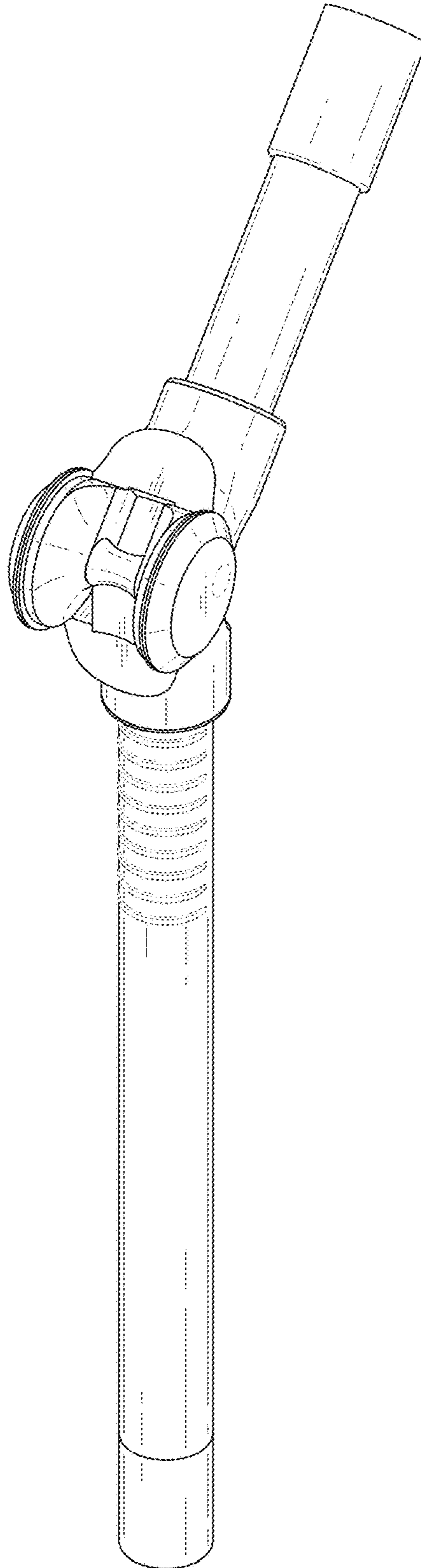


FIG. 25

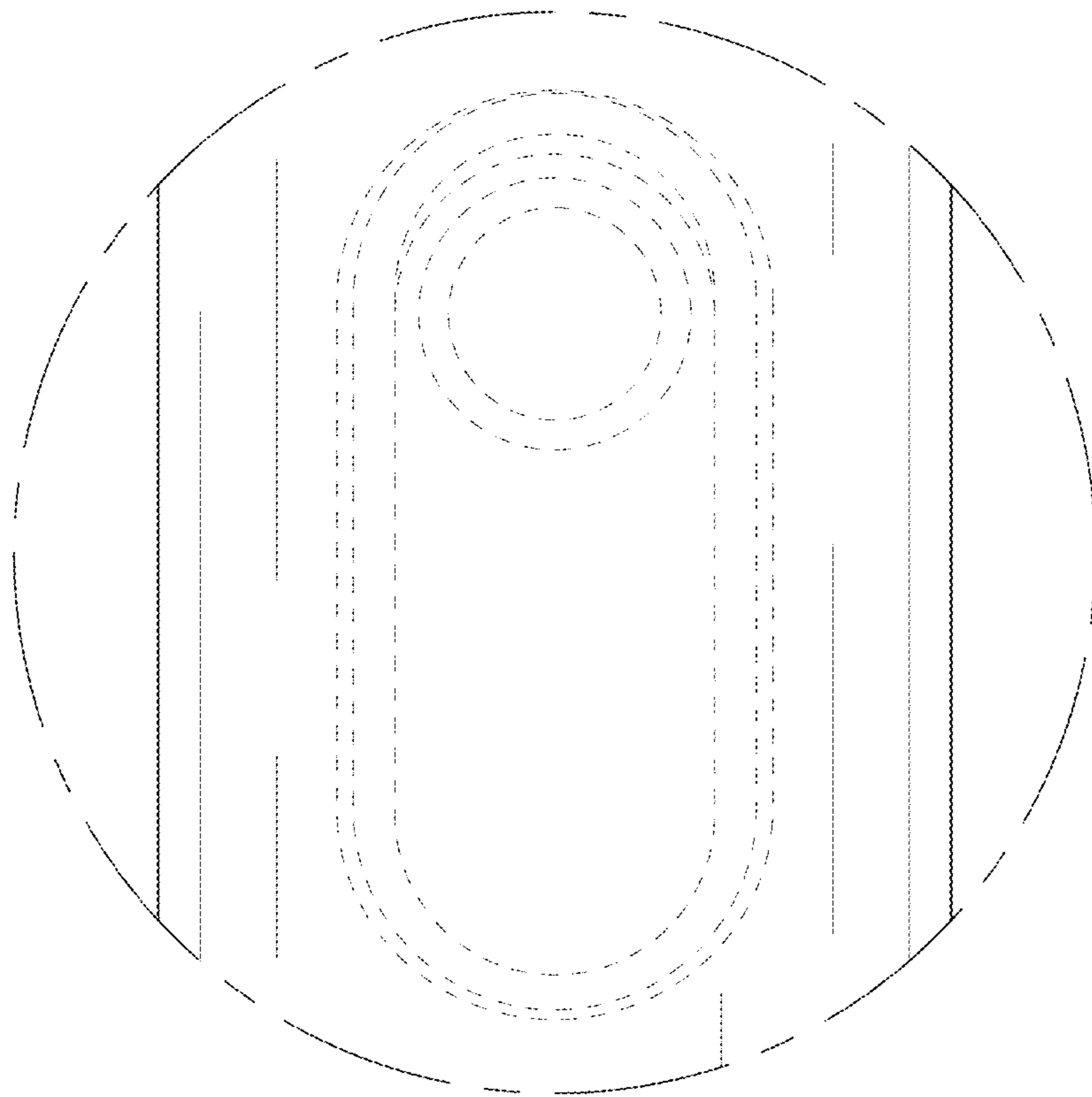


FIG. 26

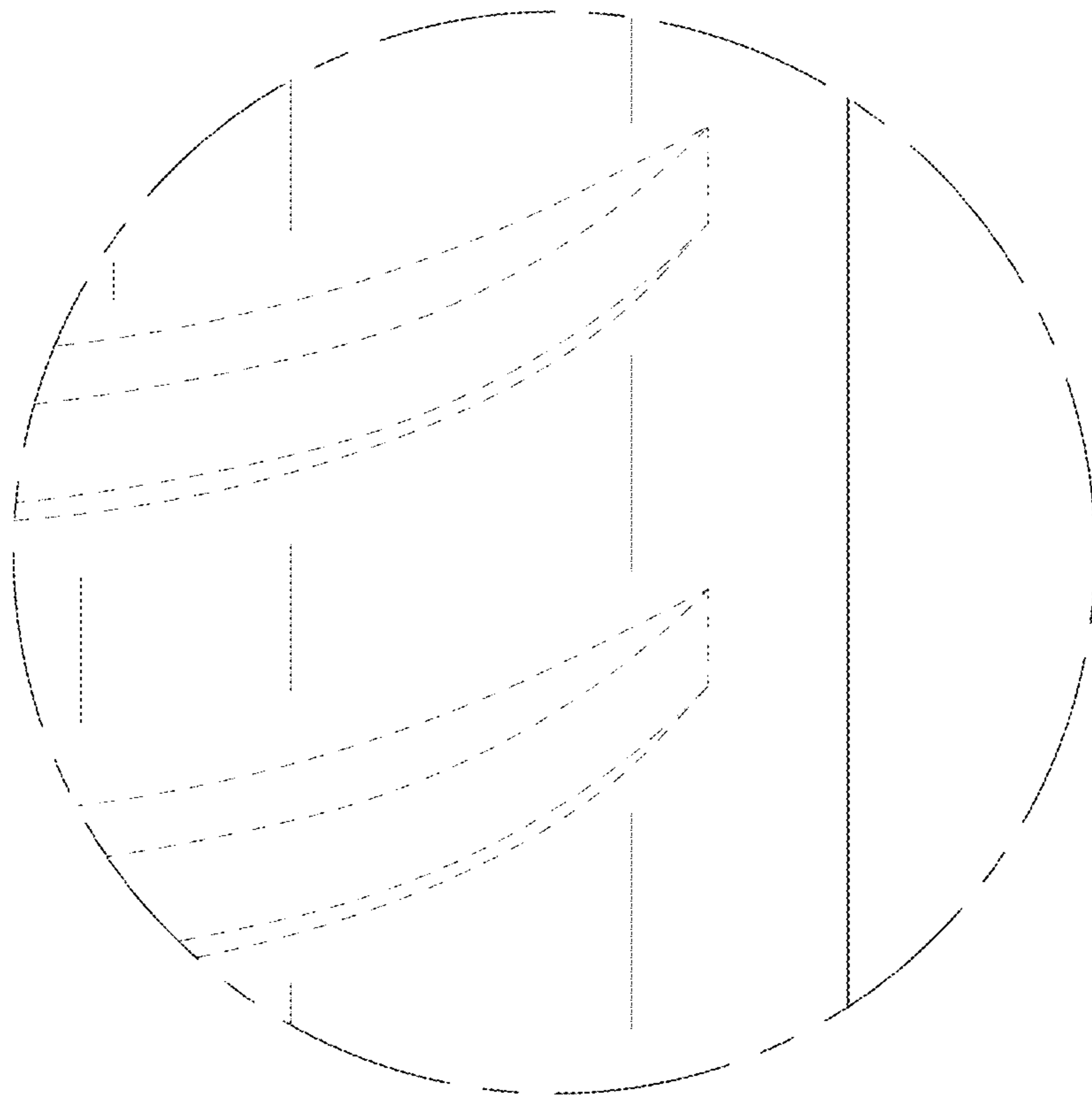


FIG. 27

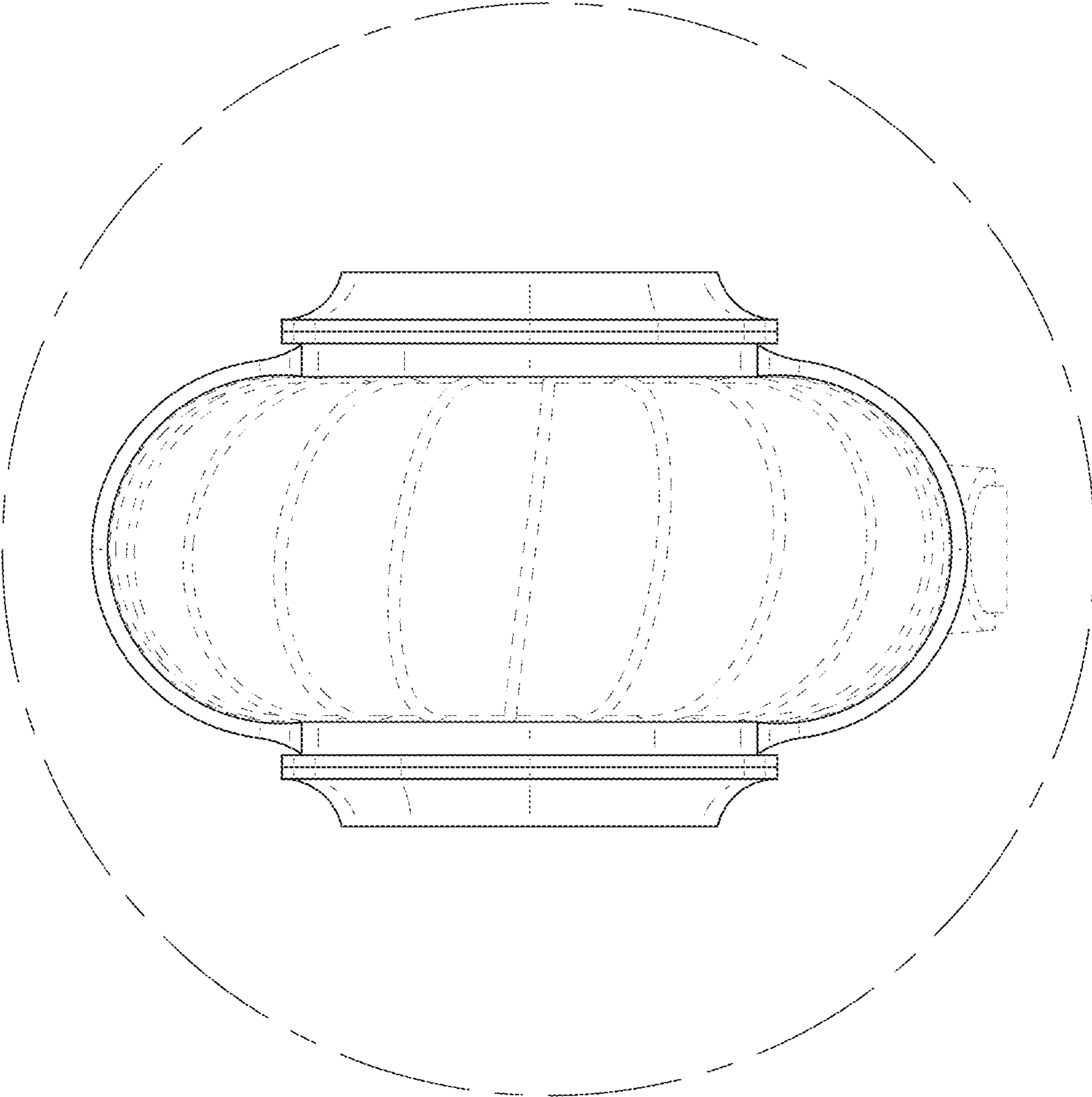


FIG. 28

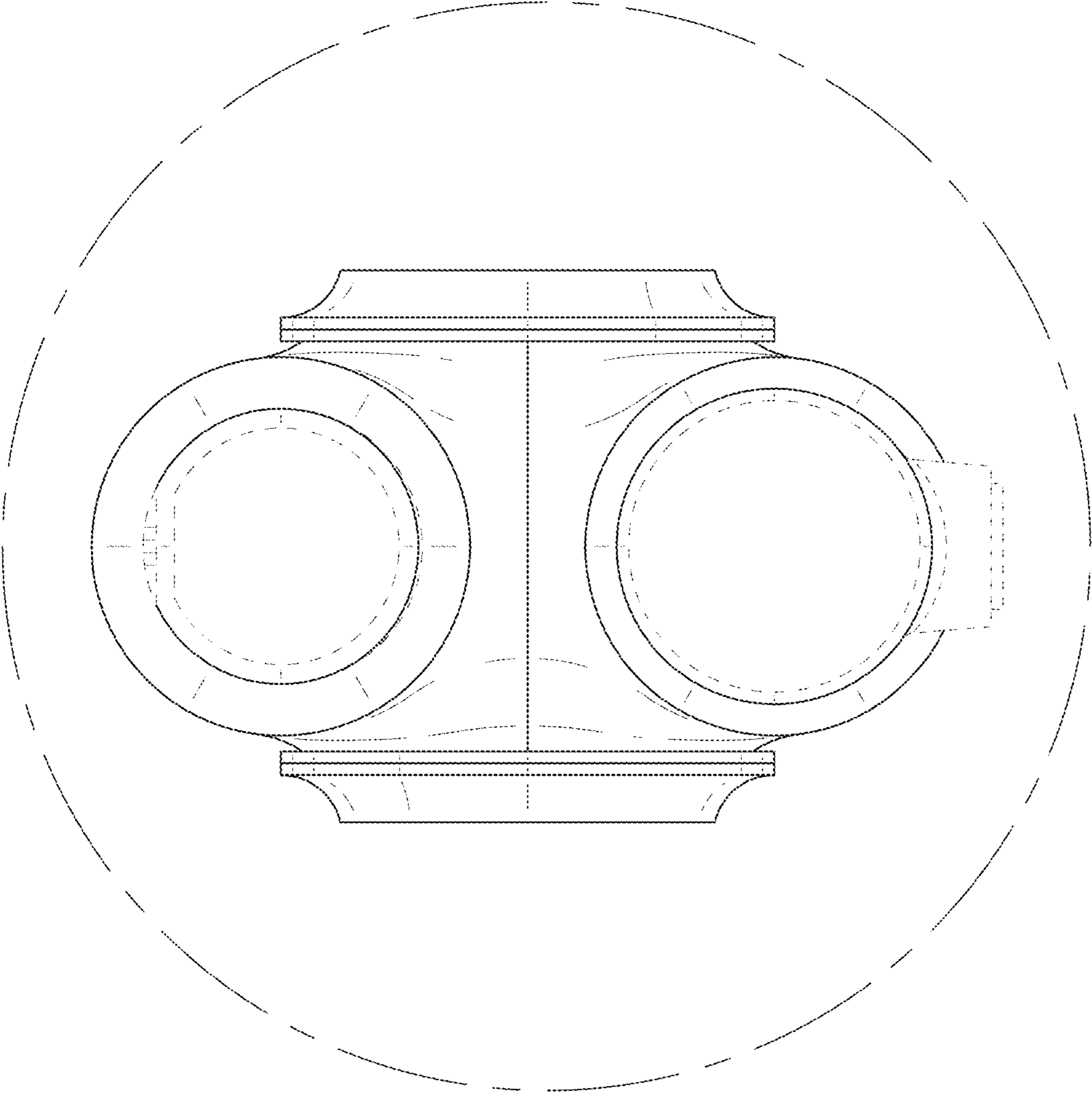


FIG. 29

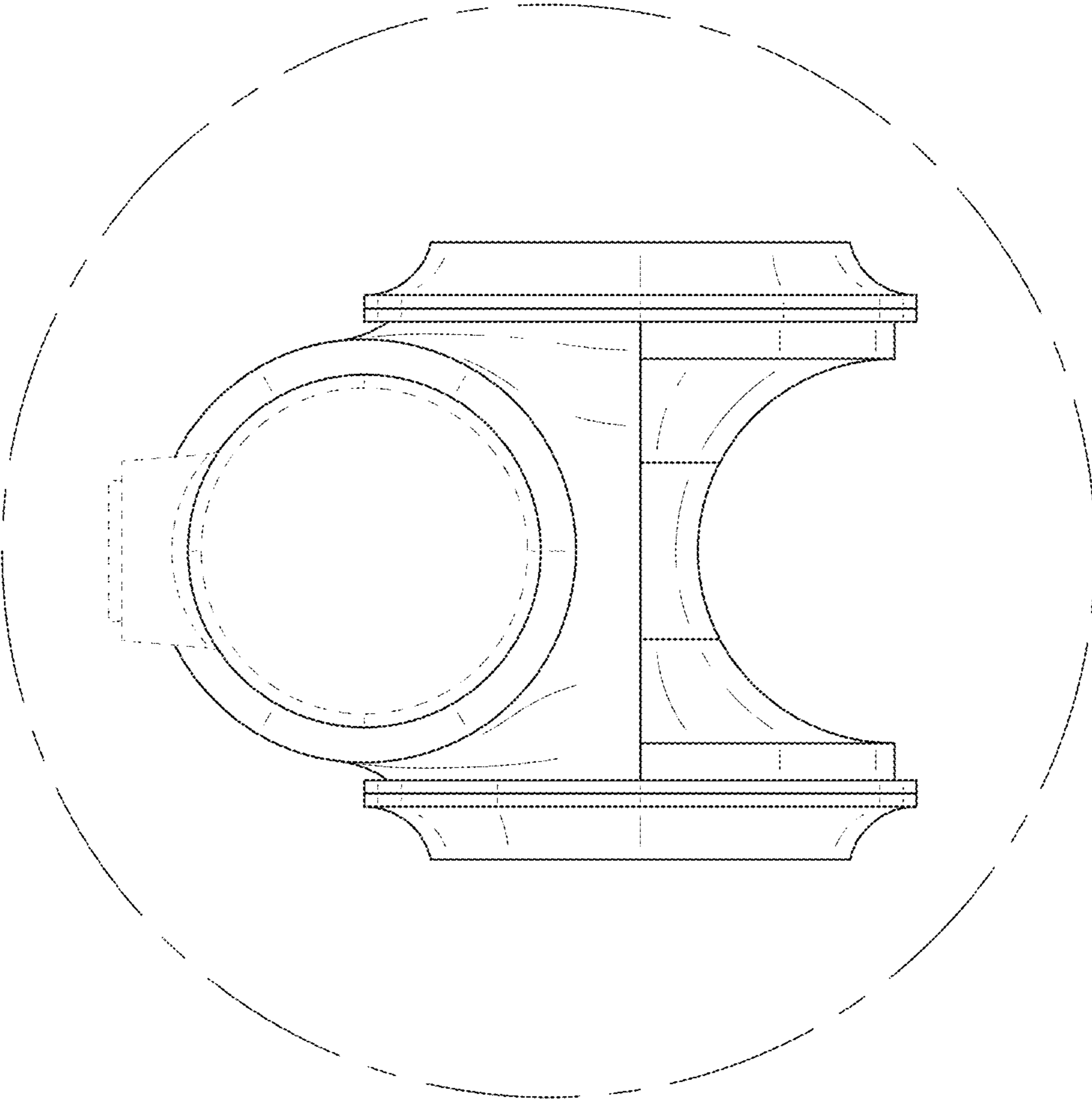


FIG. 30

