



US00D830653S

(12) **United States Design Patent**
Joo et al.

(10) **Patent No.:** **US D830,653 S**
(45) **Date of Patent:** **** Oct. 9, 2018**

(54) **WASHING MACHINE**
(71) Applicant: **Samsung Electronics Co., Ltd.**,
Suwon-si (KR)
(72) Inventors: **Ahjung Joo**, Seoul (KR); **Jungeun Park**, Seoul (KR); **Sung-kyung Lee**,
Seoul (KR); **Jiyeun Yoon**, Seoul (KR)
(73) Assignee: **Samsung Electronics Co., Ltd.**,
Suwon-si (KR)
(**) Term: **15 Years**

D708,800 S 7/2014 Choi et al.
D718,505 S * 11/2014 Hyoungsub D32/28
D744,179 S * 11/2015 Lee D32/28
D747,575 S * 1/2016 Choi D32/28
D758,679 S * 6/2016 Yoon D14/486
D771,887 S * 11/2016 Kim D32/28
D775,770 S * 1/2017 Yoon D32/2
D776,703 S * 1/2017 Shoemaker D14/487
D778,516 S * 2/2017 Hwang D32/28
D785,256 S * 4/2017 Yoon D32/25
D785,257 S * 4/2017 Kim D32/25
D785,881 S * 5/2017 Yoon D32/25
D785,882 S * 5/2017 Kim D32/25
D806,335 S * 12/2017 Yoon D32/28
D806,960 S * 1/2018 Tong D32/2

(Continued)

(21) Appl. No.: **29/613,269**

(22) Filed: **Aug. 9, 2017**

(30) **Foreign Application Priority Data**

Feb. 9, 2017 (KR) 30-2017-0006203

(51) **LOC (11) Cl.** **15-05**

(52) **U.S. Cl.**
USPC **D32/28**

(58) **Field of Classification Search**
USPC D32/1, 28, 6, 25, 29, 29.1, 8; D15/89;
D13/162, 162.1, 164, 177; D7/348, 349,
D7/402, 405, 406
CPC D06F 39/045; D06F 29/00; D06F 29/005;
D06F 33/02; D06F 2204/065; D06F
25/00; D06F 35/006; D06F 37/28; D06F
39/14; D06F 58/203
See application file for complete search history.

(56) **References Cited**

U.S. PATENT DOCUMENTS

D489,152 S * 4/2004 Sneddon D32/28
D660,328 S * 5/2012 Doberstein D15/89
D702,407 S * 4/2014 Geyer D32/28
D705,506 S * 5/2014 Kwack D32/28
D705,507 S * 5/2014 Cho D32/28

FOREIGN PATENT DOCUMENTS

KR 30-2012-0041321 10/2013
KR 30-2013-0065756 8/2014

(Continued)

Primary Examiner — Michelle E Wilson

(74) *Attorney, Agent, or Firm* — NSIP Law

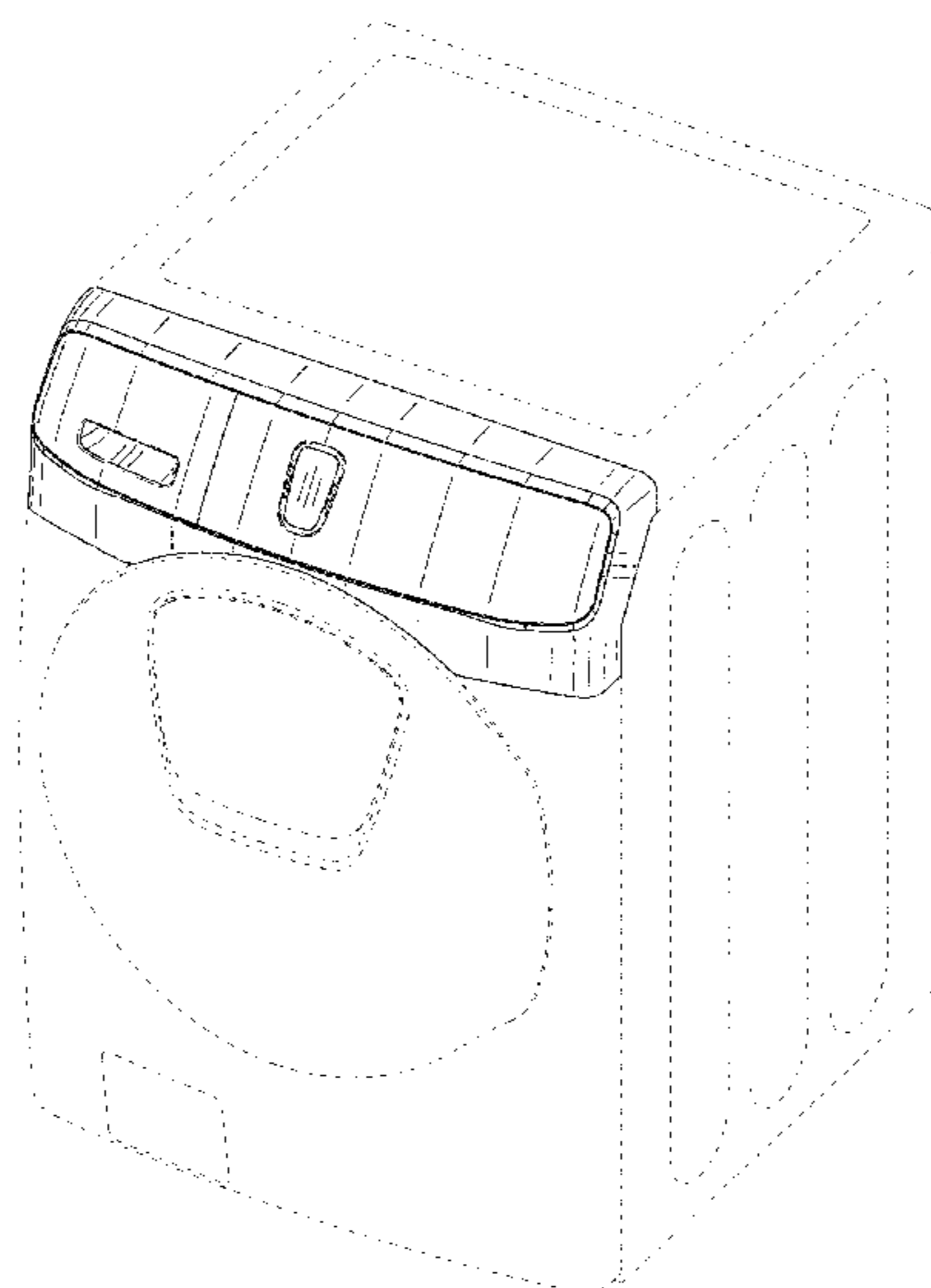
(57) **CLAIM**

We claim the ornamental design for a washing machine, as shown and described.

DESCRIPTION

FIG. 1 is a front perspective view of a washing machine showing our new design;
FIG. 2 is a front view thereof;
FIG. 3 is a rear view thereof;
FIG. 4 is a left-side view thereof;
FIG. 5 is a right-side view thereof;
FIG. 6 is a top view thereof; and,
FIG. 7 is a bottom view thereof.
The broken lines in the figures depict environmental subject matter and form no part of the claimed design.

1 Claim, 7 Drawing Sheets



(56)

References Cited

U.S. PATENT DOCUMENTS

D812,330 S * 3/2018 Kim D32/28
2007/0187215 A1* 8/2007 Lavigne H01H 3/08
200/4

FOREIGN PATENT DOCUMENTS

KR 30-2013-0065759 9/2014
KR 30-2015-0066224 6/2016

* cited by examiner

FIG. 1

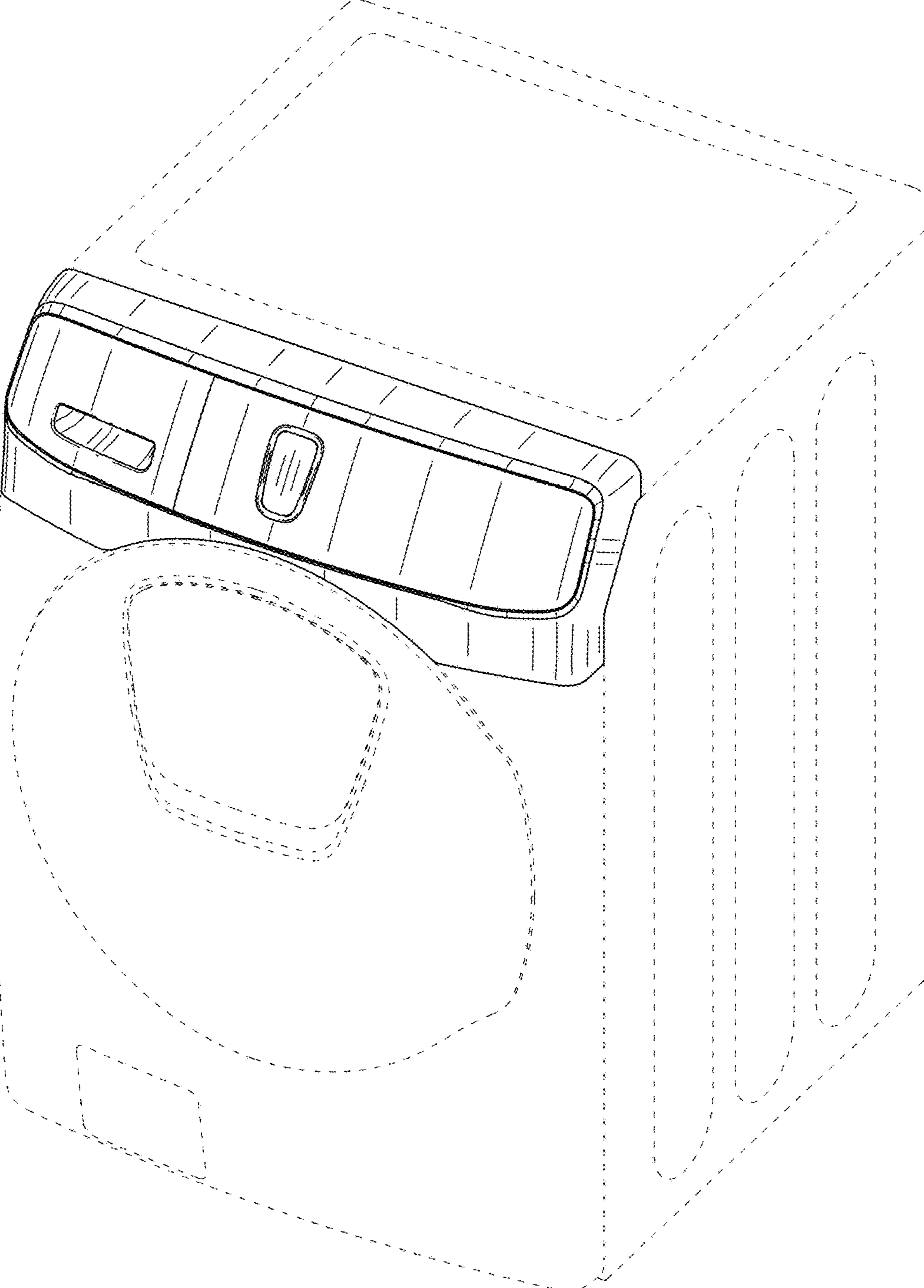


FIG. 2

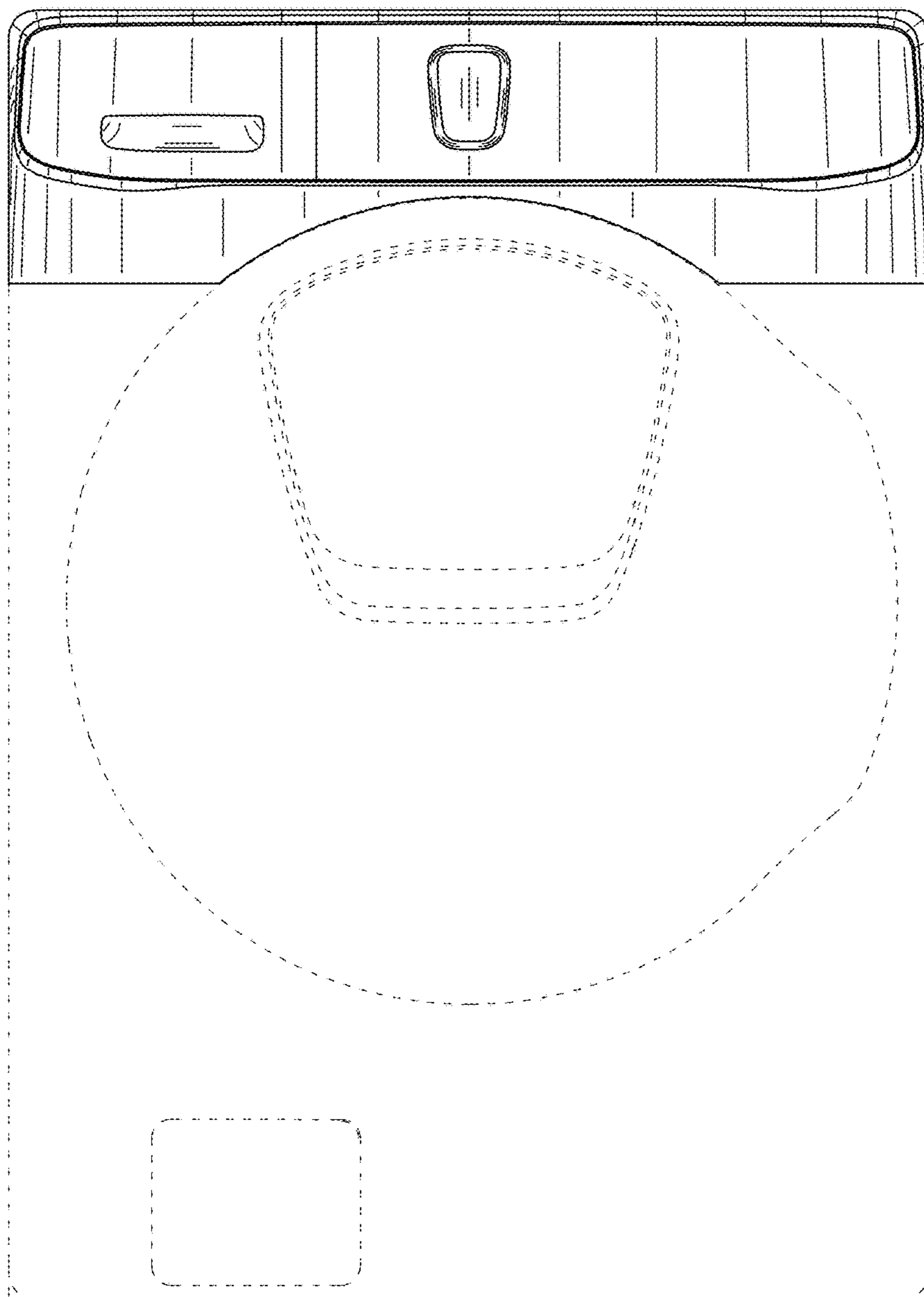


FIG. 3

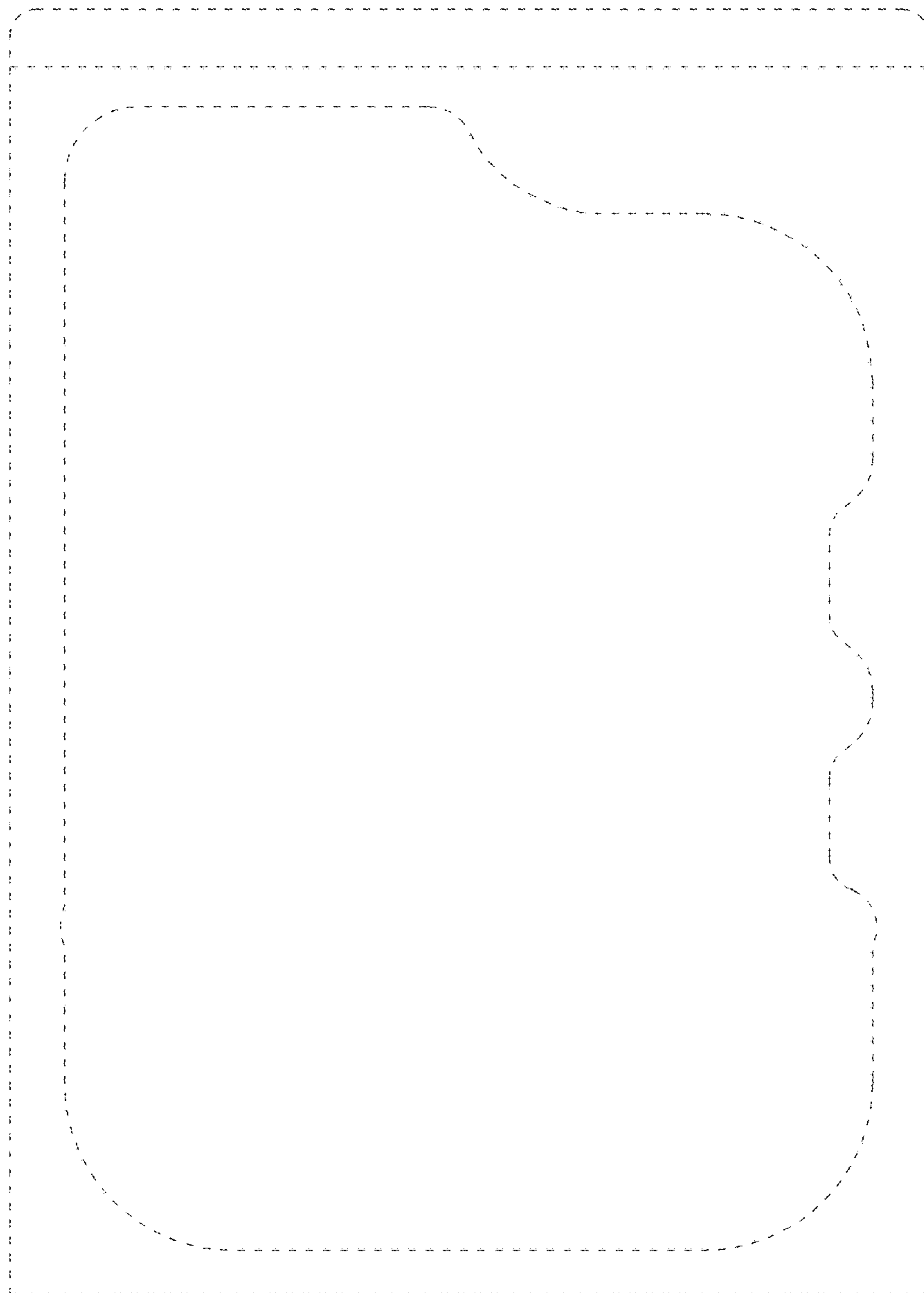


FIG. 4

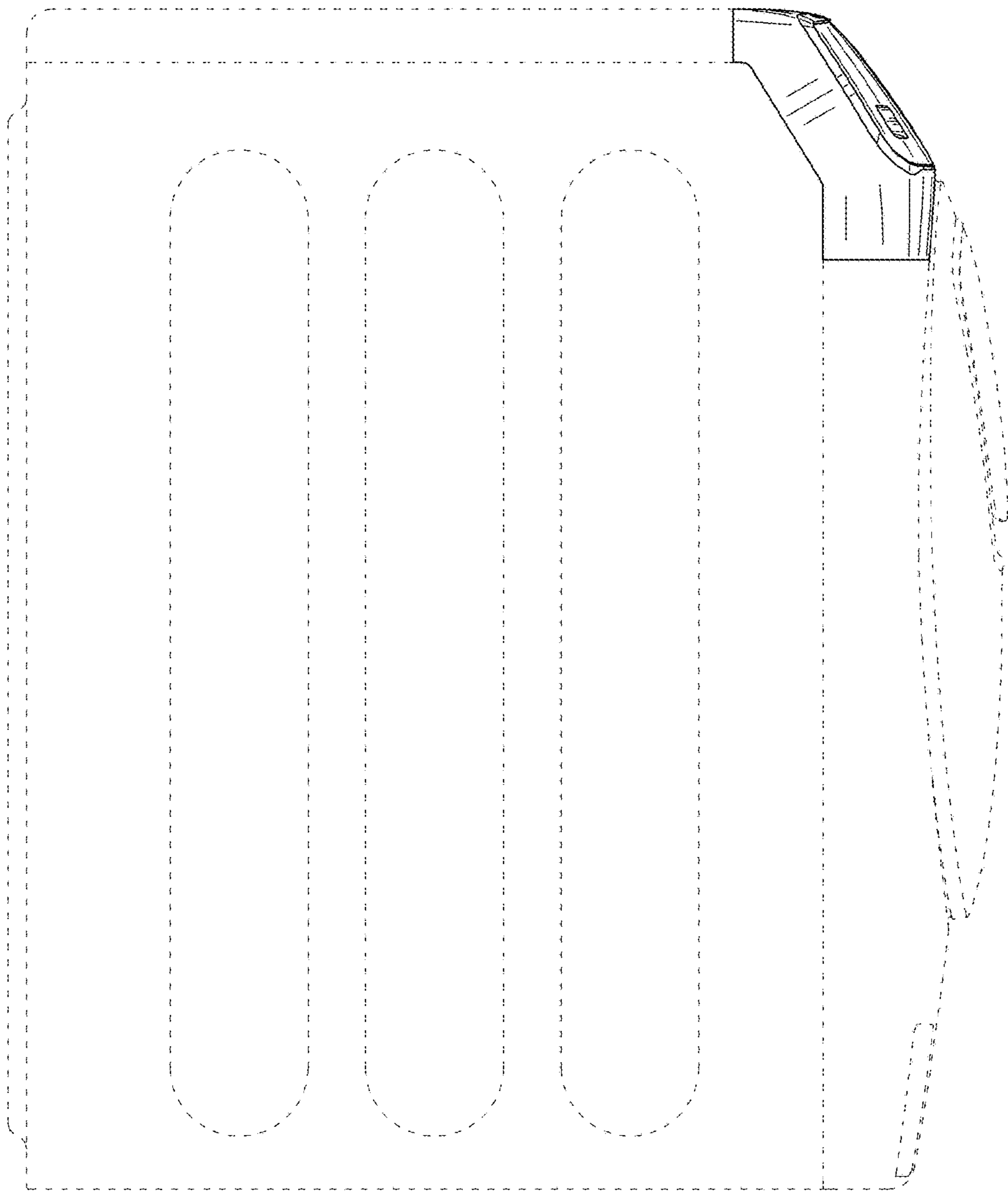


FIG. 5

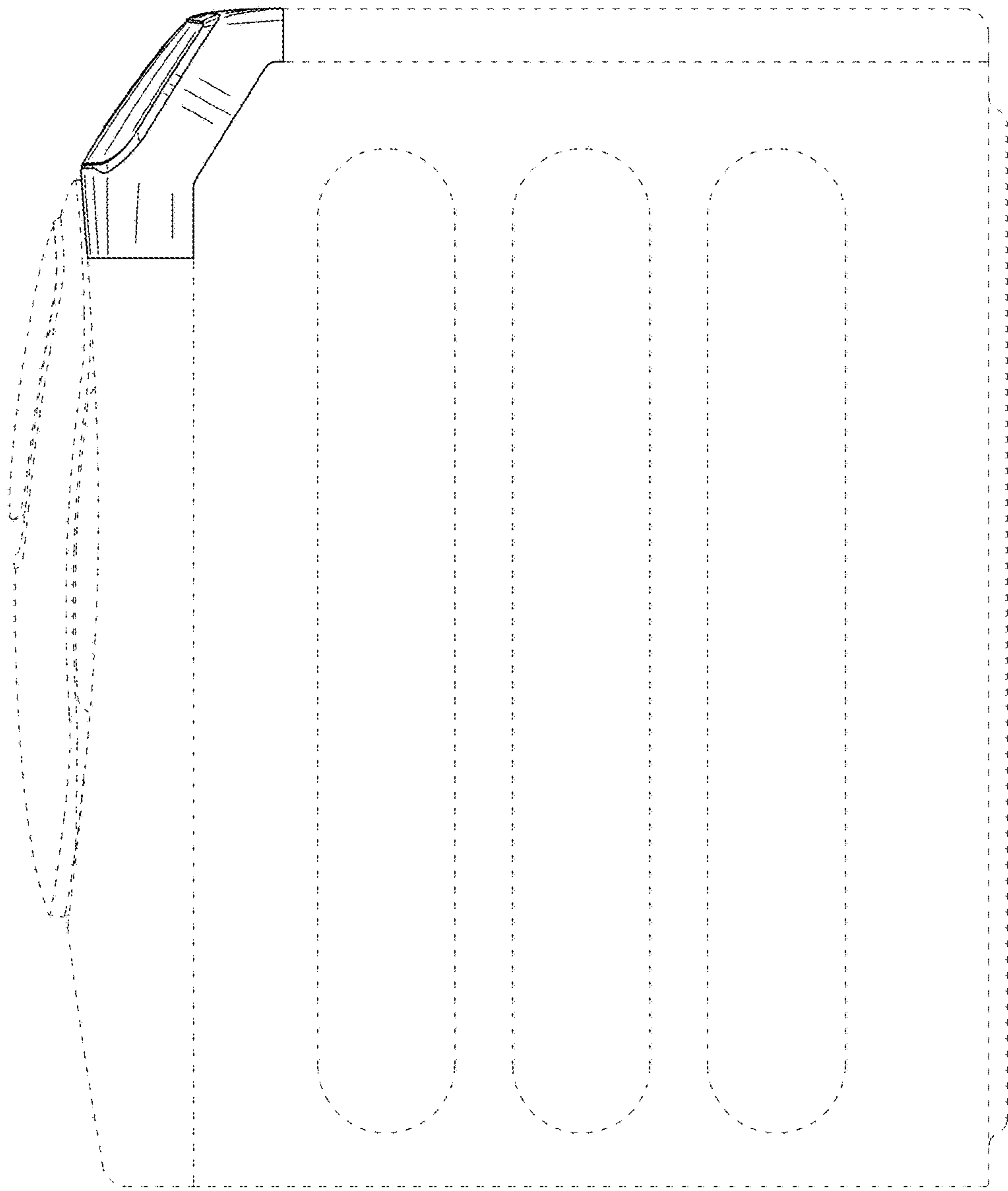


FIG. 6

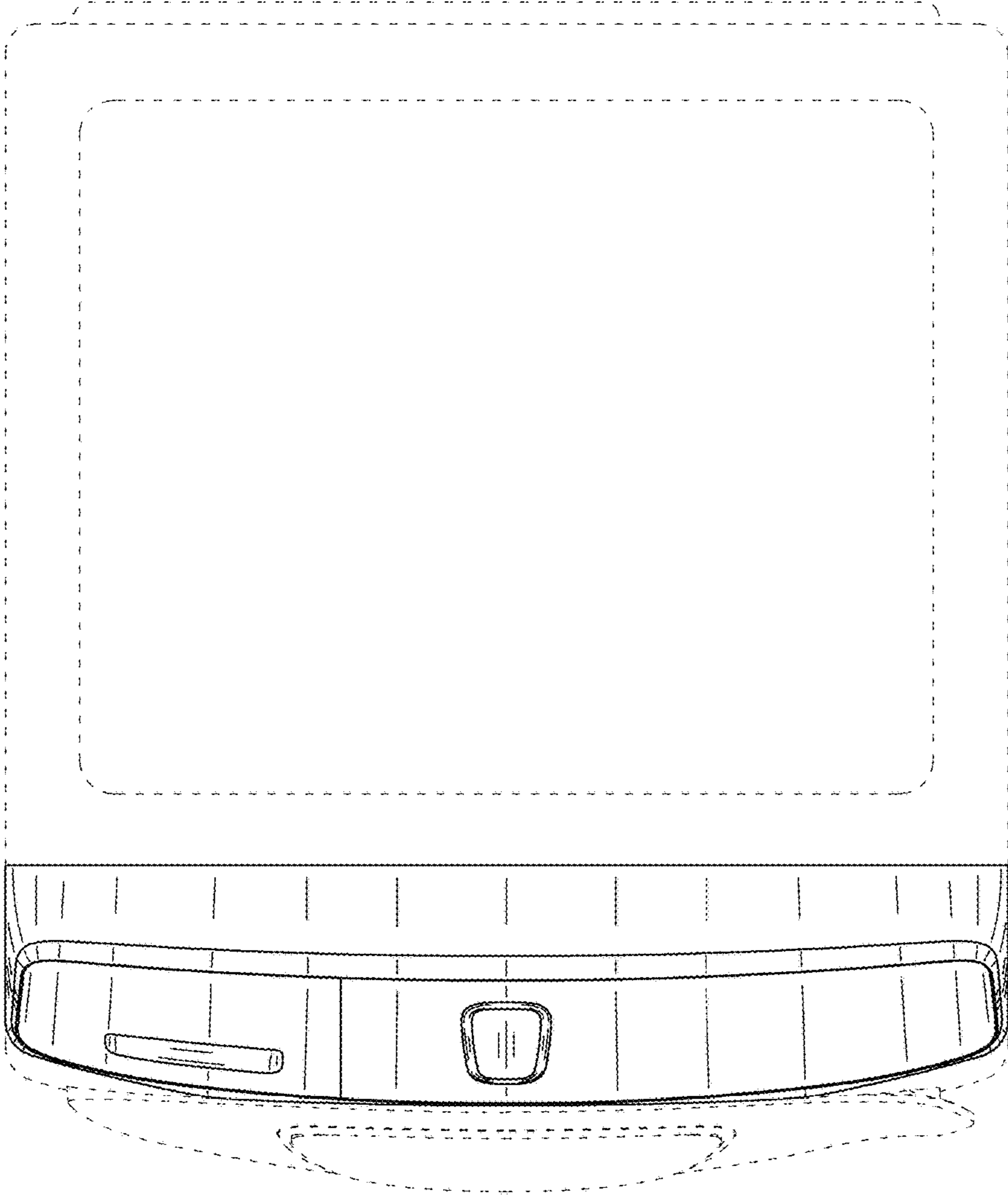


FIG. 7

