



US00D830651S

(12) **United States Design Patent**
Lee et al.

(10) **Patent No.:** **US D830,651 S**
(45) **Date of Patent:** **** Oct. 9, 2018**

(54) **VACUUM CLEANER**

(71) Applicant: **SAMSUNG ELECTRONICS CO., LTD.**, Suwon-si, Gyeonggi-do (KR)

(72) Inventors: **Hwan-Dong Lee**, Seoul (KR);
Young-Jin Kim, Gunpo-si (KR);
Hyoung-Sub Choi, Goyang-si (KR)

(73) Assignee: **SAMSUNG ELECTRONICS CO., LTD.**, Gyeonggi-Do (KR)

(**) Term: **15 Years**

(21) Appl. No.: **29/590,546**

(22) Filed: **Jan. 11, 2017**

(30) **Foreign Application Priority Data**

Jul. 25, 2016 (KR) 30-2016-0036267

(51) **LOC (11) Cl.** **15-05**

(52) **U.S. Cl.**
USPC **D32/21**

(58) **Field of Classification Search**
USPC D32/21-24, 31
CPC E04H 4/1654; A47L 9/2842; A47L 9/26;
A47L 9/325; A47L 9/009; A47L 11/34;
A47L 5/362; A47L 5/365; A47L 7/0004;
A47L 7/0019

See application file for complete search history.

(56) **References Cited**

U.S. PATENT DOCUMENTS

D553,311 S * 10/2007 Shin D32/21
D554,308 S * 10/2007 Shin D32/21

D565,813 S * 4/2008 Shin D32/21
D722,732 S * 2/2015 Ghim D32/21
D728,175 S * 4/2015 Park D32/21
D730,600 S * 5/2015 Springell D32/21
D746,524 S * 12/2015 Kim D32/21
D762,026 S * 7/2016 Tyler D32/21
D786,517 S * 5/2017 Cao D32/21

FOREIGN PATENT DOCUMENTS

JP D1173454 S 5/2003
JP D1518935 S 3/2015
KR 300629509 S 1/2012
KR 300677759 S 1/2013
KR 300677759 S 2/2013

* cited by examiner

Primary Examiner — Ruth McInroy

(74) *Attorney, Agent, or Firm* — Cantor Colburn LLP

(57) **CLAIM**

The ornamental design for a vacuum cleaner, as shown and described.

DESCRIPTION

FIG. 1 is a perspective view of a vacuum cleaner, showing our design;

FIG. 2 is a front view thereof;

FIG. 3 is a rear view thereof;

FIG. 4 is a left side view thereof;

FIG. 5 is a right side view thereof;

FIG. 6 is a top view thereof;

FIG. 7 is a bottom view thereof; and,

FIG. 8 is a cross-sectional view thereof taken along line 8-8 of FIG. 2.

The broken lines illustrating portions of the vacuum cleaner form no part of the claimed design.

1 Claim, 8 Drawing Sheets

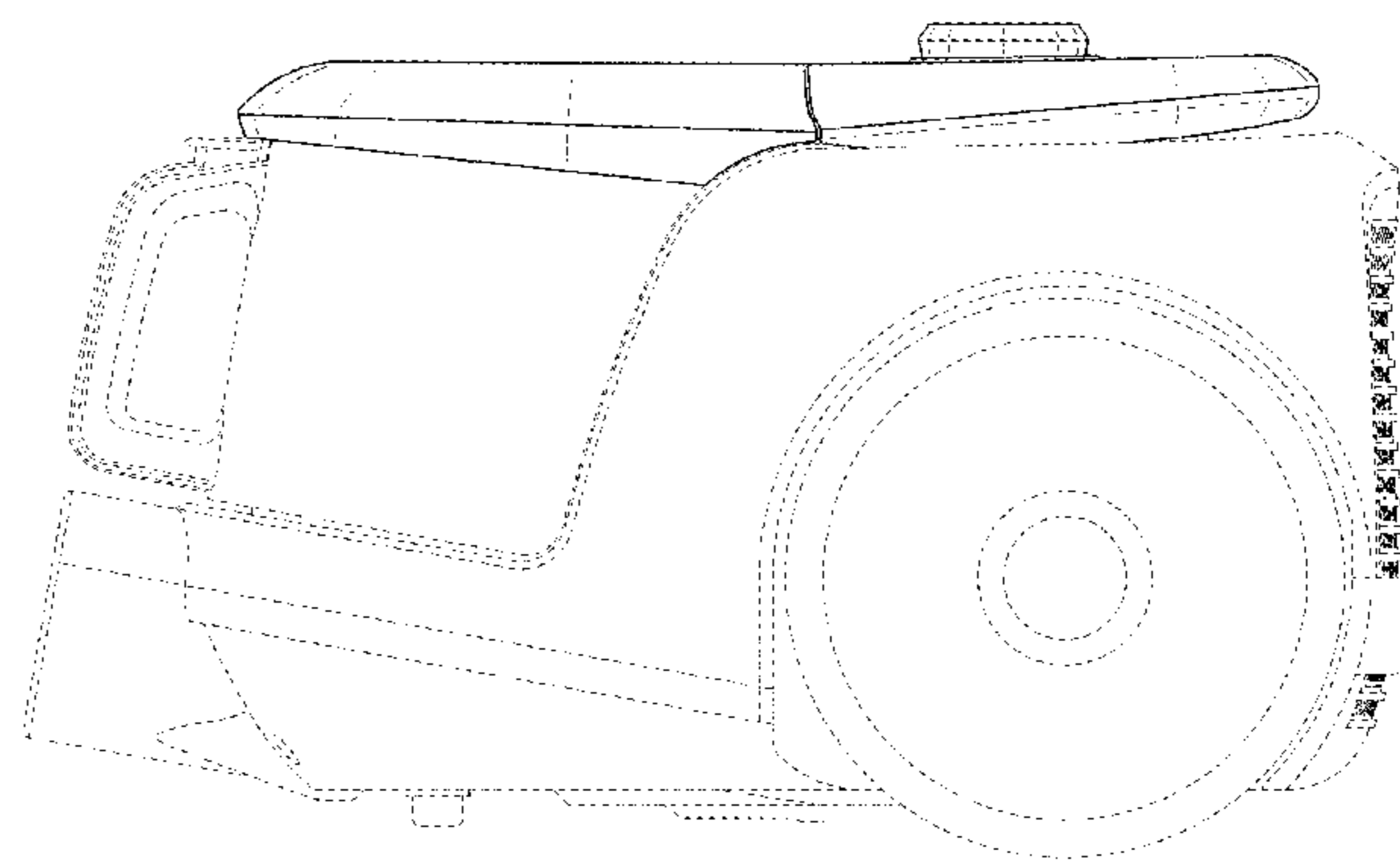
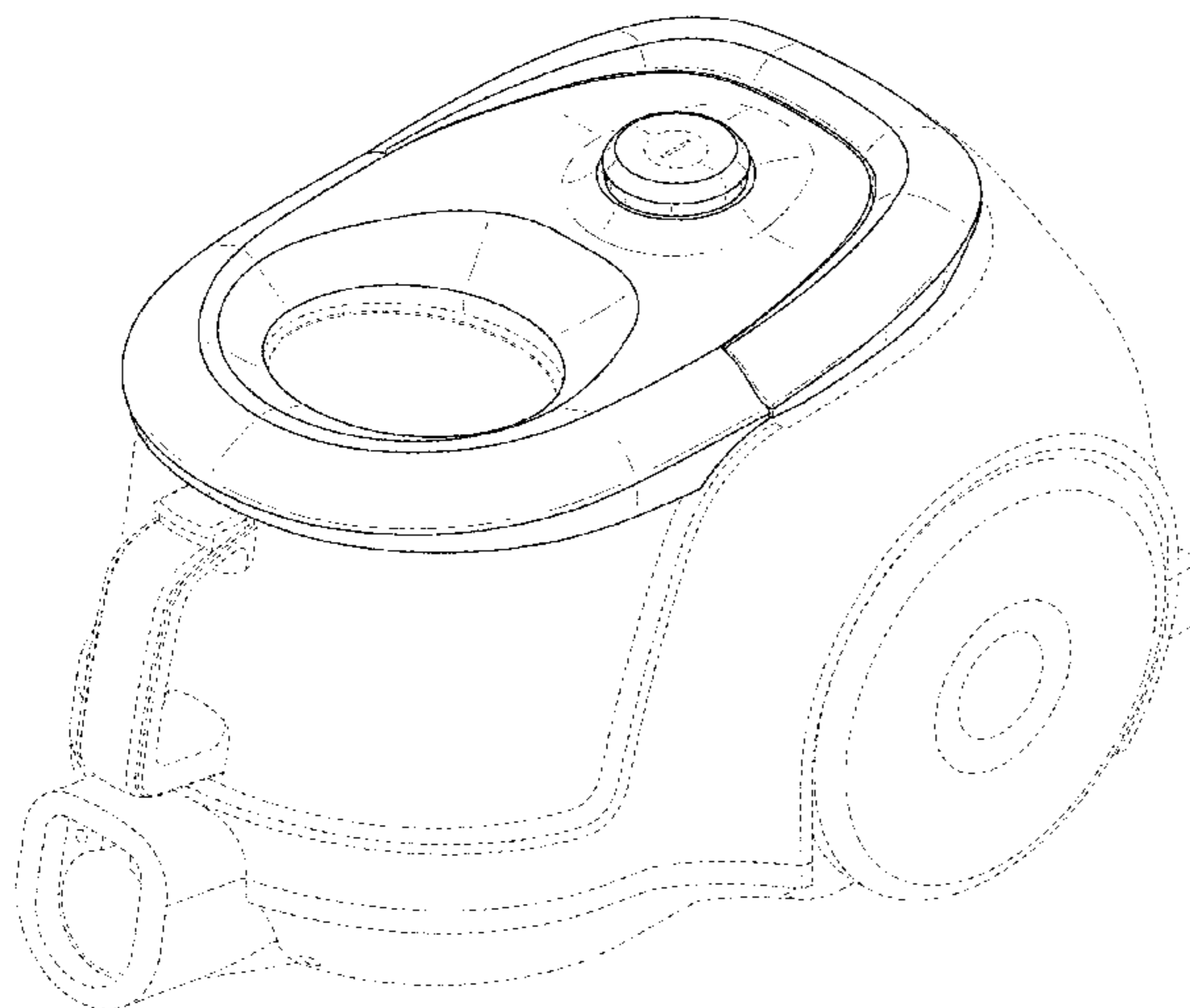


FIG. 1

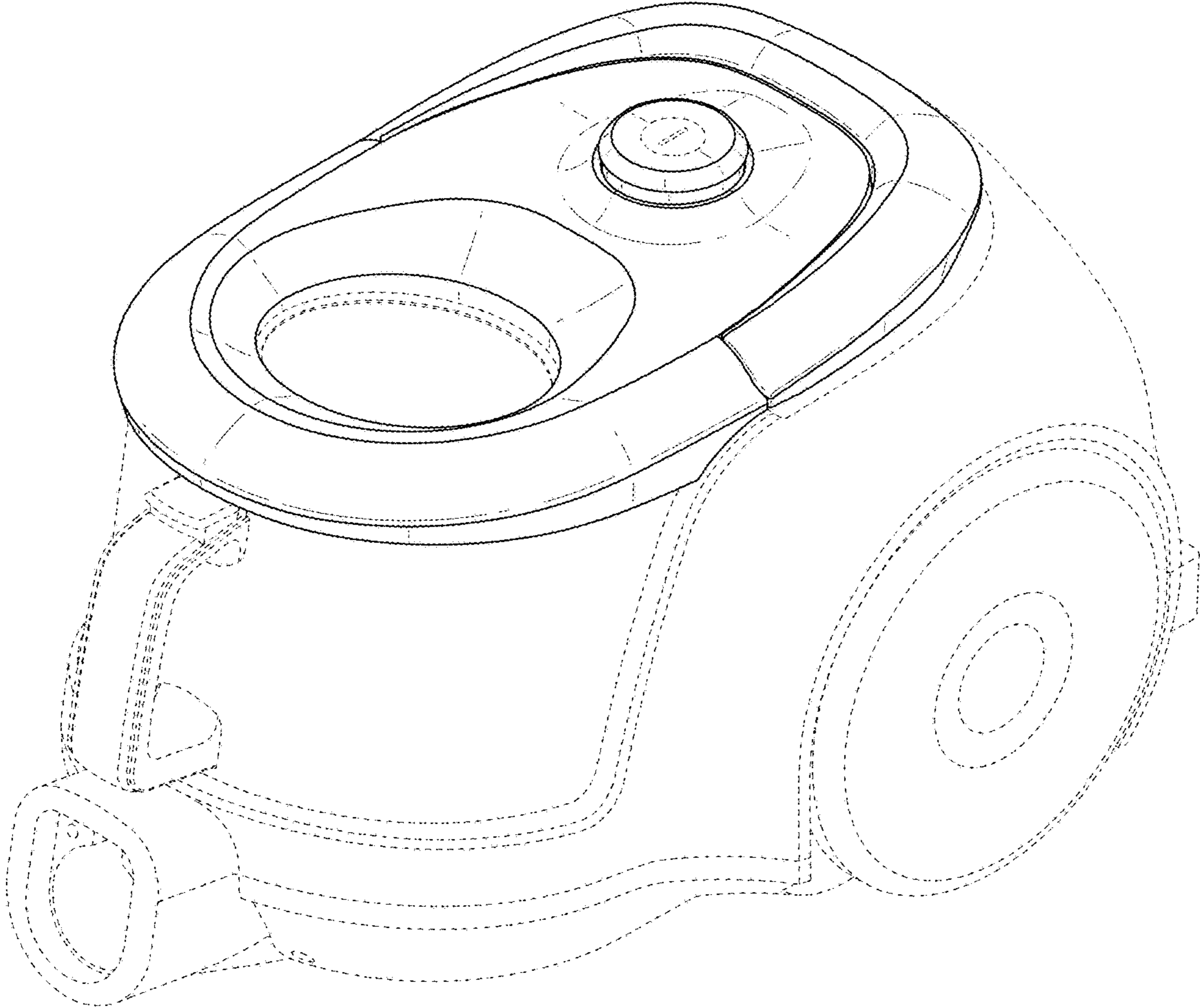


FIG. 2

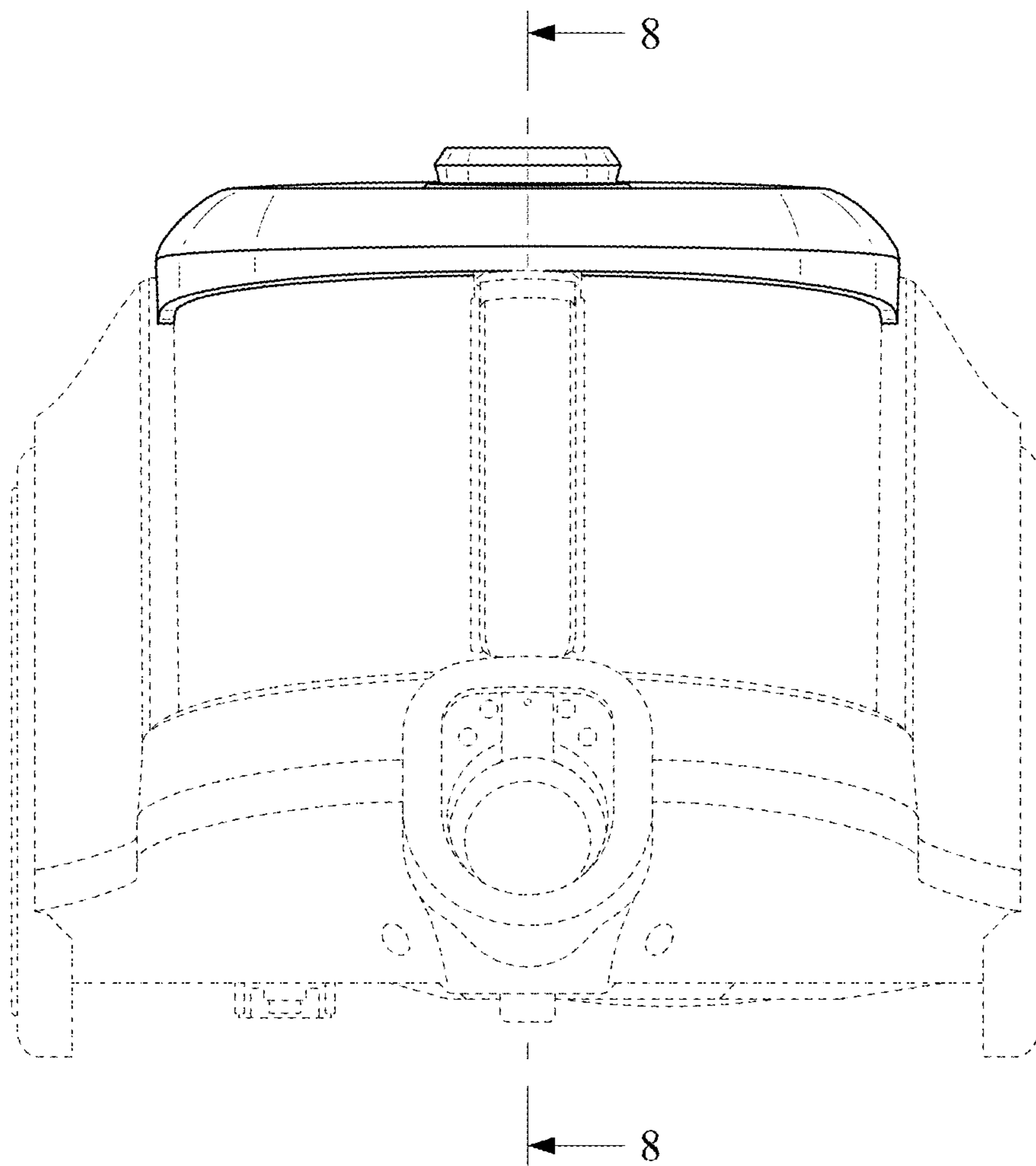


FIG. 3

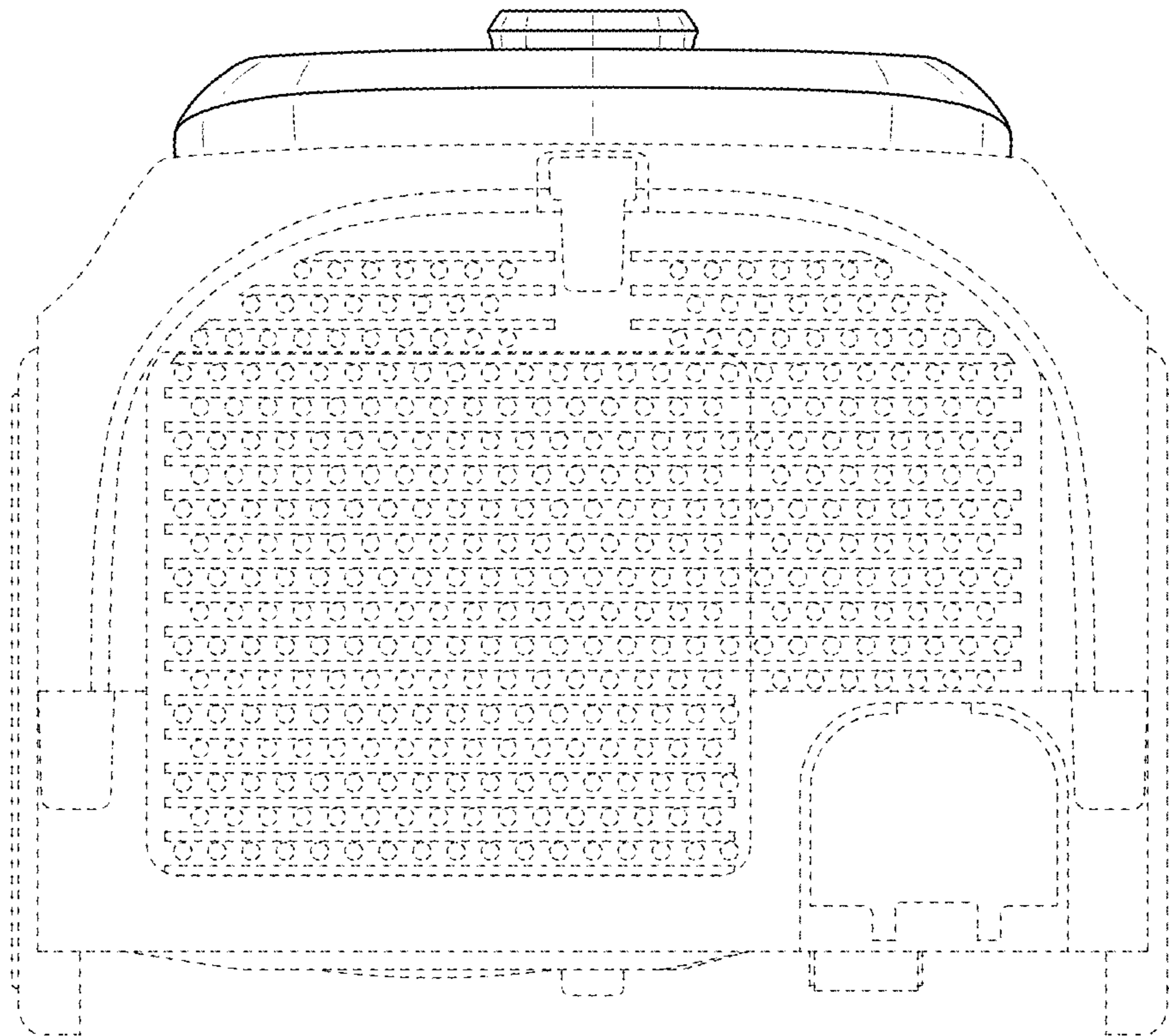


FIG. 4

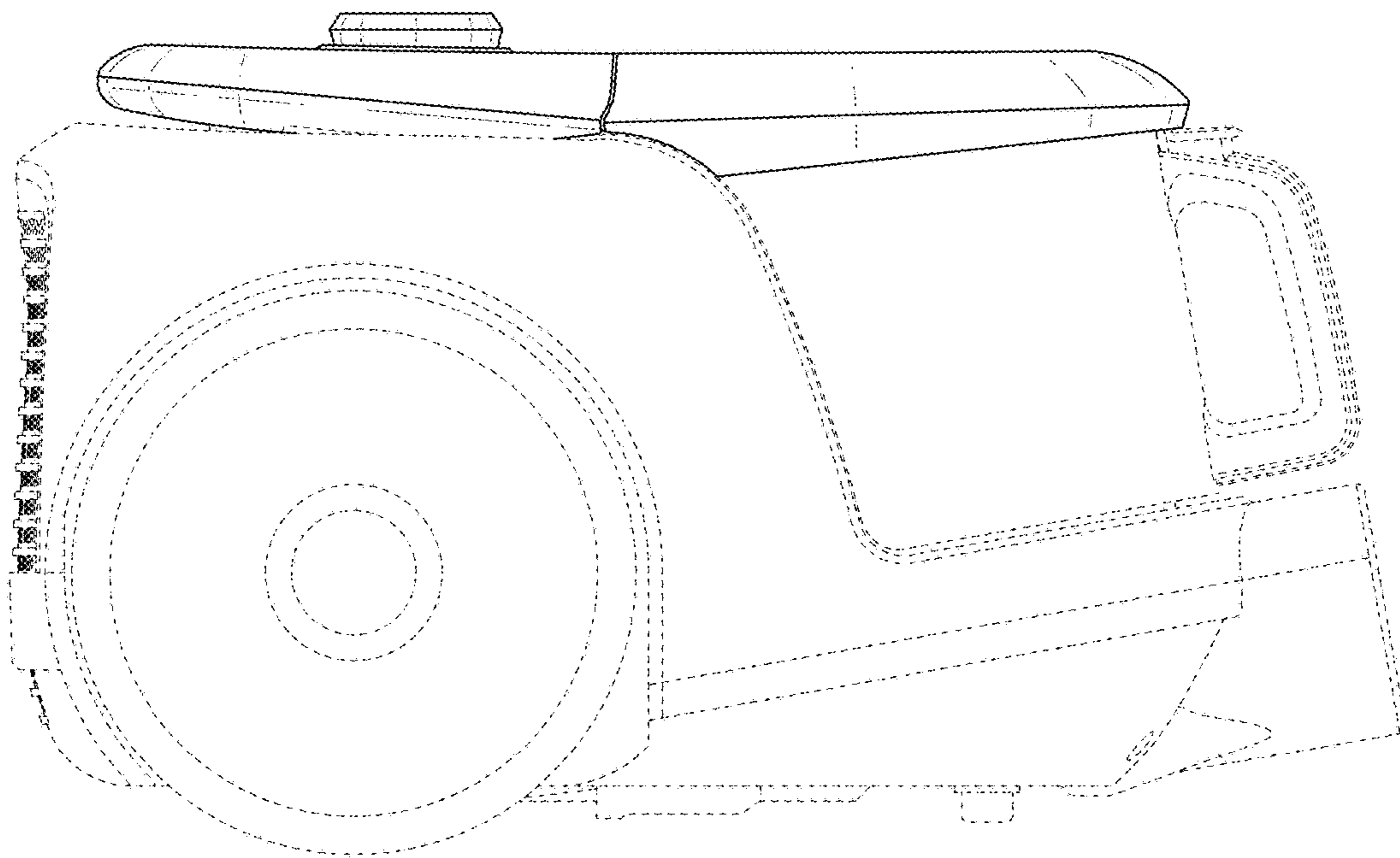


FIG. 5

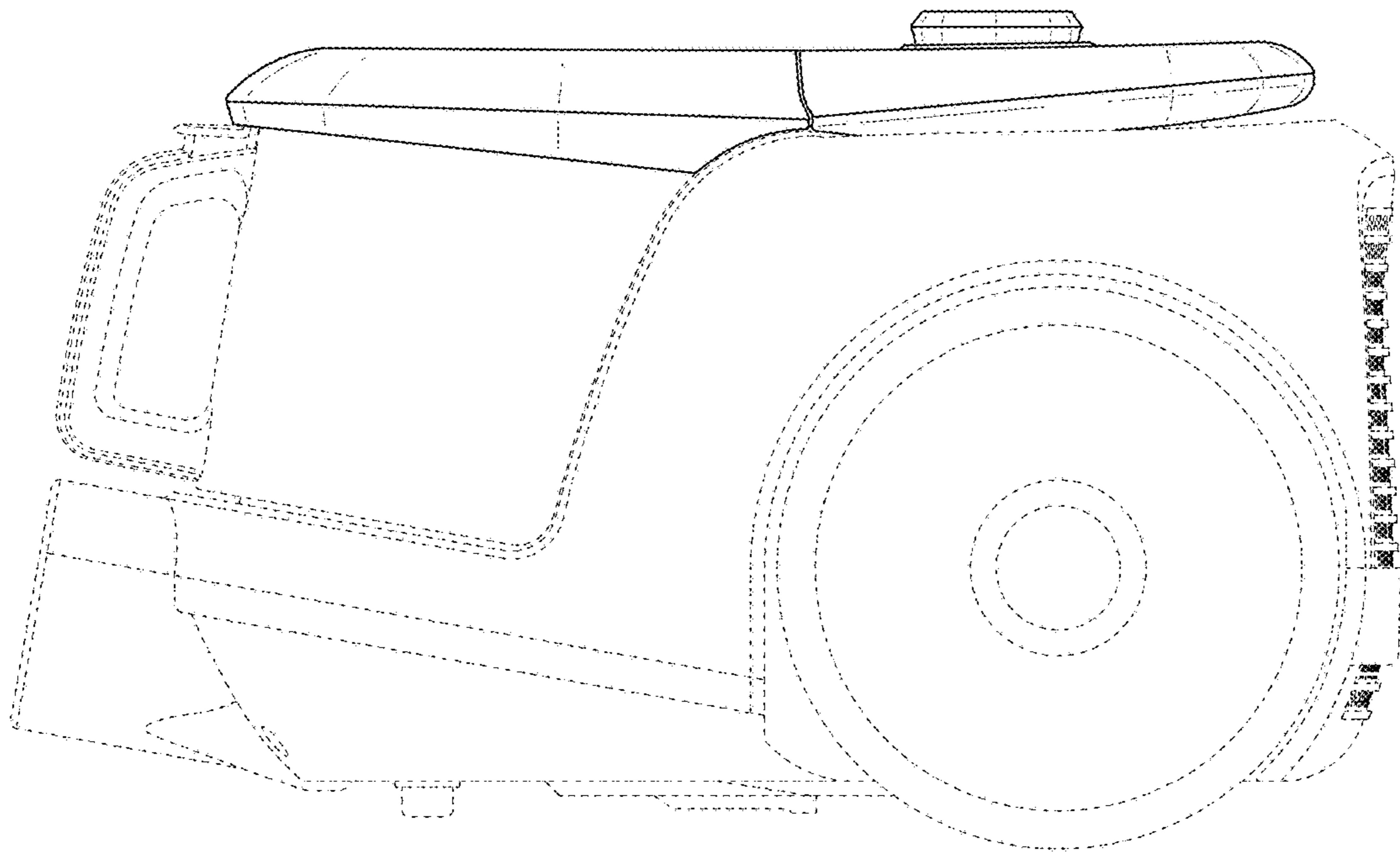


FIG. 6

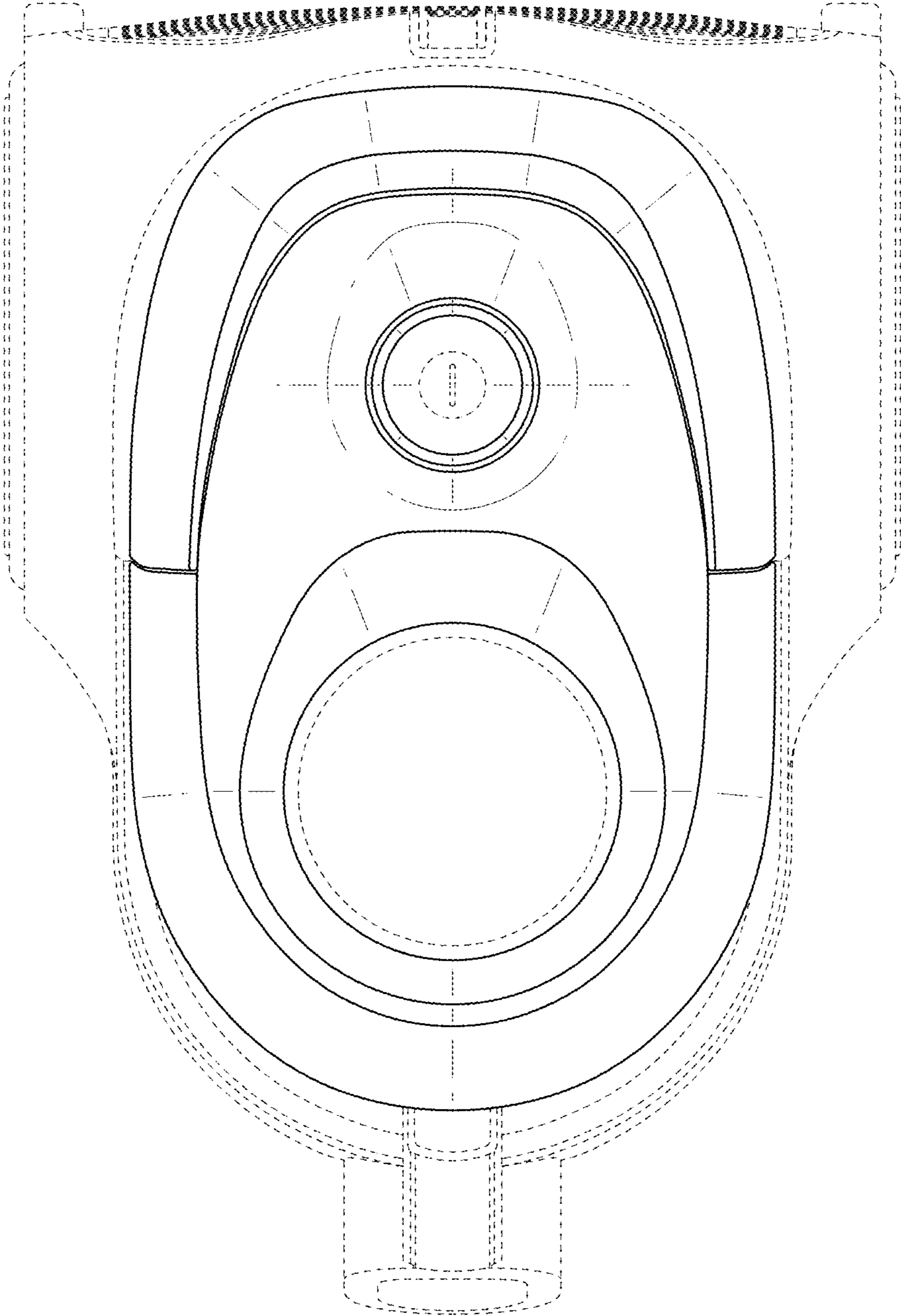


FIG. 7

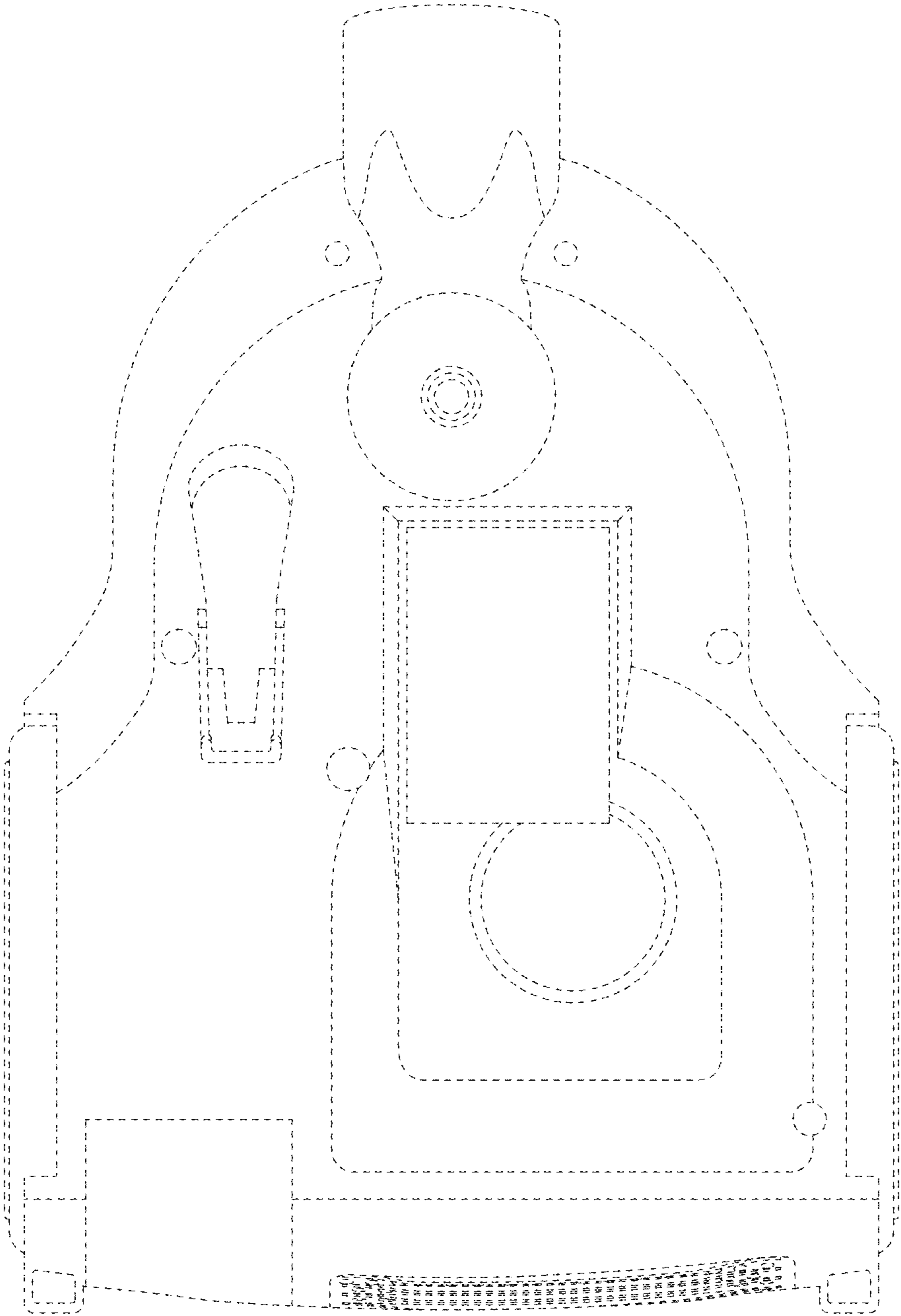


FIG. 8

