



US00D830648S

(12) **United States Design Patent** (10) **Patent No.:** **US D830,648 S**  
**Bahr et al.** (45) **Date of Patent:** **\*\* Oct. 9, 2018**

(54) **PET TUNNEL**

(71) Applicant: **Pampered Pet Parties, LLC**, Marietta, GA (US)

(72) Inventors: **Lynn Bahr**, Marietta, GA (US);  
**Candice Sides**, Woodstock, GA (US)

(\*\*) Term: **15 Years**

(21) Appl. No.: **29/601,574**

(22) Filed: **Apr. 24, 2017**

(51) **LOC (11) Cl.** ..... **30-99**

(52) **U.S. Cl.**  
USPC ..... **D30/160**

(58) **Field of Classification Search**  
USPC ..... D30/108–120, 158, 160, 161; D11/157;  
D12/128, 129; D21/698, 814, 826–827;  
D26/118; 119/1, 17, 19, 29, 29.5, 158,  
119/706; 229/DIG. 3, 101, 122, 67.3;  
383/126

CPC ..... A01K 15/02  
See application file for complete search history.

(56) **References Cited**

**U.S. PATENT DOCUMENTS**

279,586	A *	6/1883	Onderdonk	.....	B65D 31/08	383/126
318,016	A *	5/1885	Onderdonk	.....	383/126	
405,616	A *	6/1889	Stilwell	.....	B65D 31/08	383/126
4,371,110	A *	2/1983	Kulig	.....	B65D 5/248	229/122
4,730,727	A *	3/1988	Petroff	.....	G11B 33/0494	206/311
4,760,816	A *	8/1988	Rhodes	.....	A01K 1/0125	119/165
4,776,300	A *	10/1988	Braddock	.....	A01K 1/0125	119/168
4,856,706	A *	8/1989	Van Der Straten	....	B65D 5/009	229/110
D309,050	S *	7/1990	Wolak	.....	229/122	

(Continued)

**OTHER PUBLICATIONS**

“Pet Tunnel”, posted as early as Jan. 18, 2017 [online], [retrieved Feb. 14, 2018]. Retrieved from internet, [https://www.amazon.com/Original-Sneak-Tunnel-Dezi-Roo/dp/B01M1P42IS/ref=cm\\_cr\\_arp\\_d\\_product\\_top?ie=UTF8#customerReviews.\\*](https://www.amazon.com/Original-Sneak-Tunnel-Dezi-Roo/dp/B01M1P42IS/ref=cm_cr_arp_d_product_top?ie=UTF8#customerReviews.*)

(Continued)

*Primary Examiner* — Barbara Fox

*Assistant Examiner* — Mehri F Bajoul

(74) *Attorney, Agent, or Firm* — Smith Tempel Blaha, LLC; Matthew T. Hoots

(57) **CLAIM**

The ornamental design for a pet tunnel, as shown and described.

**DESCRIPTION**

FIG. 1 is a top and front perspective view of a pet tunnel showing our new design;

FIG. 2 is a top view thereof, the bottom view is identical to the top view shown;

FIG. 3 is a left-side view thereof, the right-side view is identical to the left-side view shown;

FIG. 4 is another top and front perspective view thereof shown partially collapsed;

FIG. 5 is another top and front perspective view thereof shown fully collapsed;

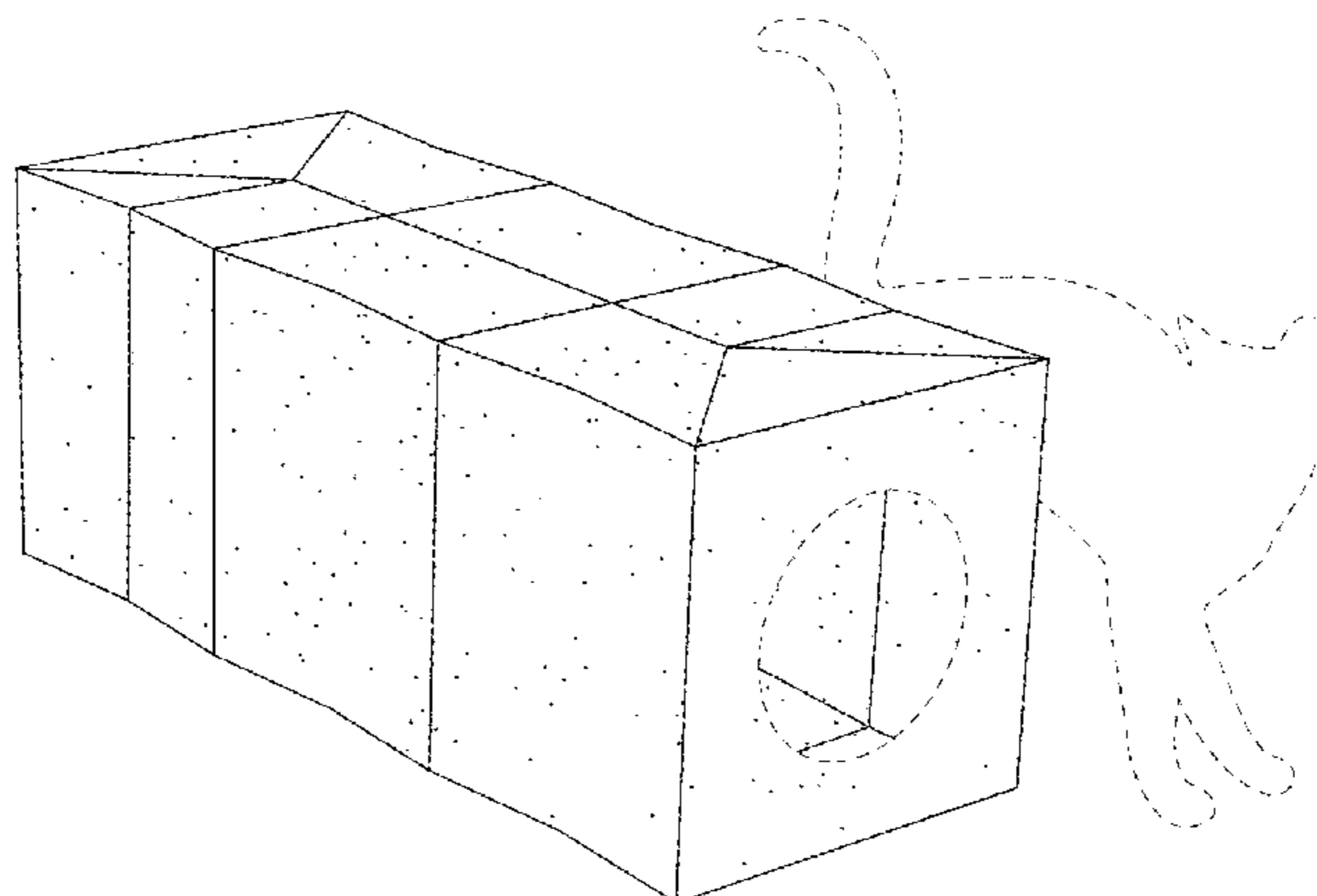
FIG. 6 is a front view of FIG. 5;

FIG. 7 is a top view of FIG. 5, the bottom view is identical to the top view shown; and,

FIG. 8 is a left-side view of FIG. 5, the right-side view is identical to the left-side view shown.

The broken line showing of the cat in FIGS. 1 and 4 depicts environment; the remaining broken lines depict portions of the pet tunnel. The broken lines form no part of the claimed design.

**1 Claim, 6 Drawing Sheets**



(56)

**References Cited**

## U.S. PATENT DOCUMENTS

5,163,756 A \* 11/1992 Riseman ..... B32B 7/06  
383/127  
6,757,986 B2 \* 7/2004 Miller ..... A45C 9/00  
34/132  
D554,304 S \* 10/2007 Gozalbo-Moragrega .... D30/161  
D794,263 S \* 8/2017 Bahr ..... D30/160  
2003/0116612 A1 \* 6/2003 Polloni ..... B65D 85/1072  
229/109  
2005/0139166 A1 \* 6/2005 Madsen ..... A01K 15/027  
119/702  
2006/0219766 A1 \* 10/2006 Mertz ..... B65D 5/5206  
229/122  
2006/0273143 A1 \* 12/2006 Finch ..... B65D 5/0005  
229/117.01  
2015/0159979 A1 \* 6/2015 Berringer ..... F41H 5/08  
229/67.3  
2016/0122070 A1 \* 5/2016 Peeler ..... B65D 71/36  
206/429  
2016/0185484 A1 \* 6/2016 Bakx ..... B65D 5/724  
229/122  
2016/0353711 A1 \* 12/2016 Bahr ..... A01K 15/025  
2017/0223929 A1 \* 8/2017 Bahr ..... A01K 15/025

## OTHER PUBLICATIONS

“Tunnel Haven”, Copyrighted 2006-2012 [online], [retrieved 02/14/20107]. Retrieved from internet, [https://store.binkybunny.com/tunnel-haven-p129.aspx?utm\\_medium=cse&utm\\_source=googlebase&gclid=EAlalQobChMln6Komp6m2QIVCB6GCh3rpAEhEAQYAiABEgJI5vD\\_BwE.\\*](https://store.binkybunny.com/tunnel-haven-p129.aspx?utm_medium=cse&utm_source=googlebase&gclid=EAlalQobChMln6Komp6m2QIVCB6GCh3rpAEhEAQYAiABEgJI5vD_BwE.*)

\* cited by examiner

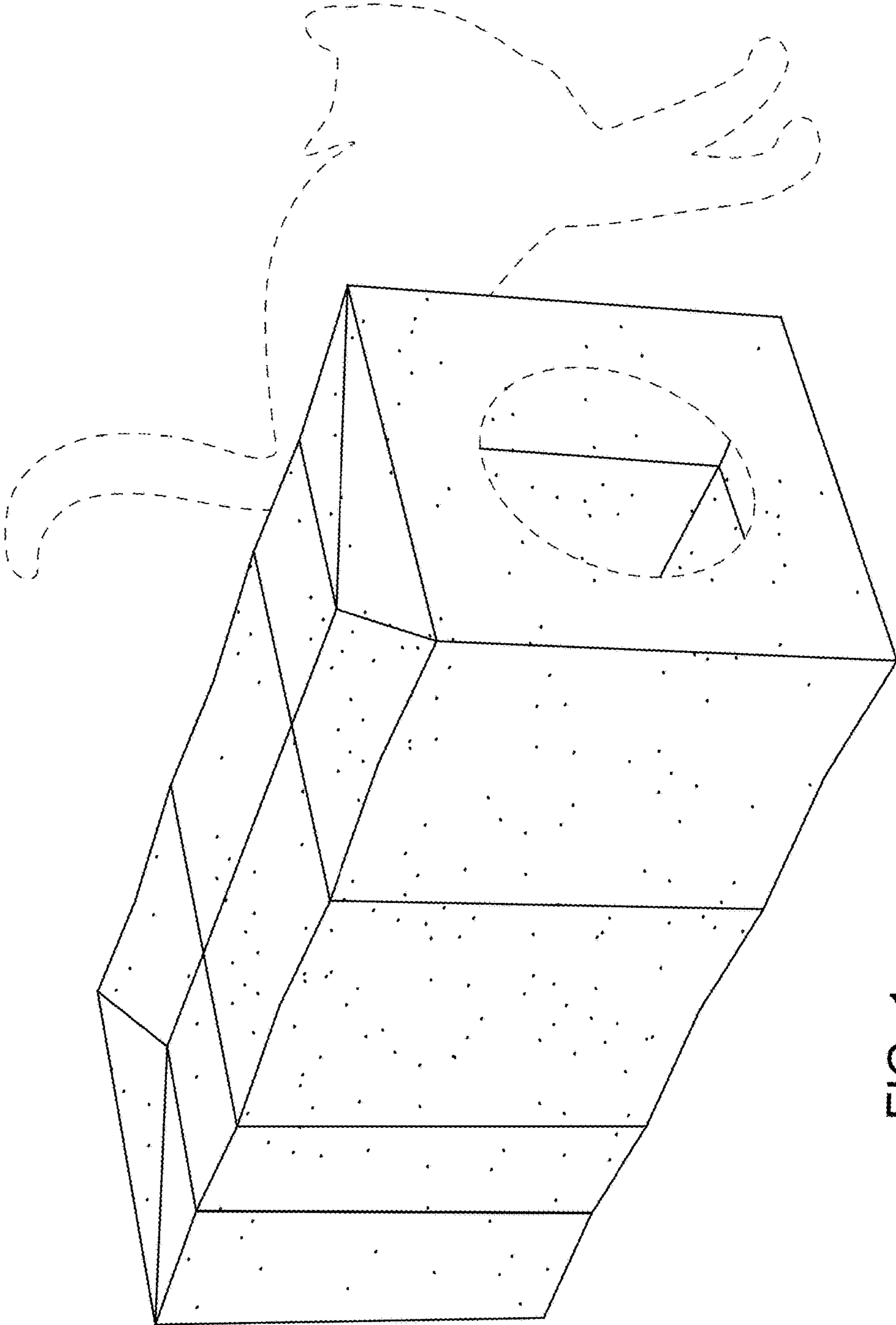


FIG. 1

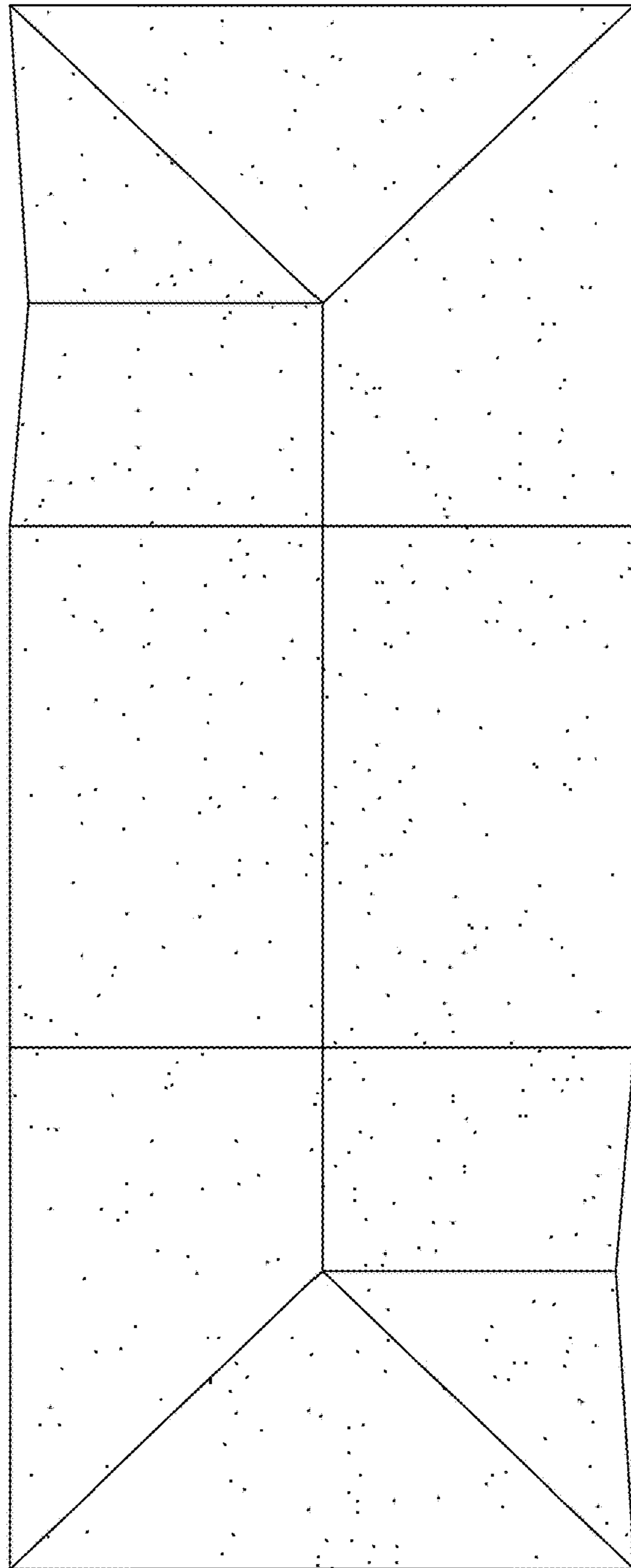


FIG. 2

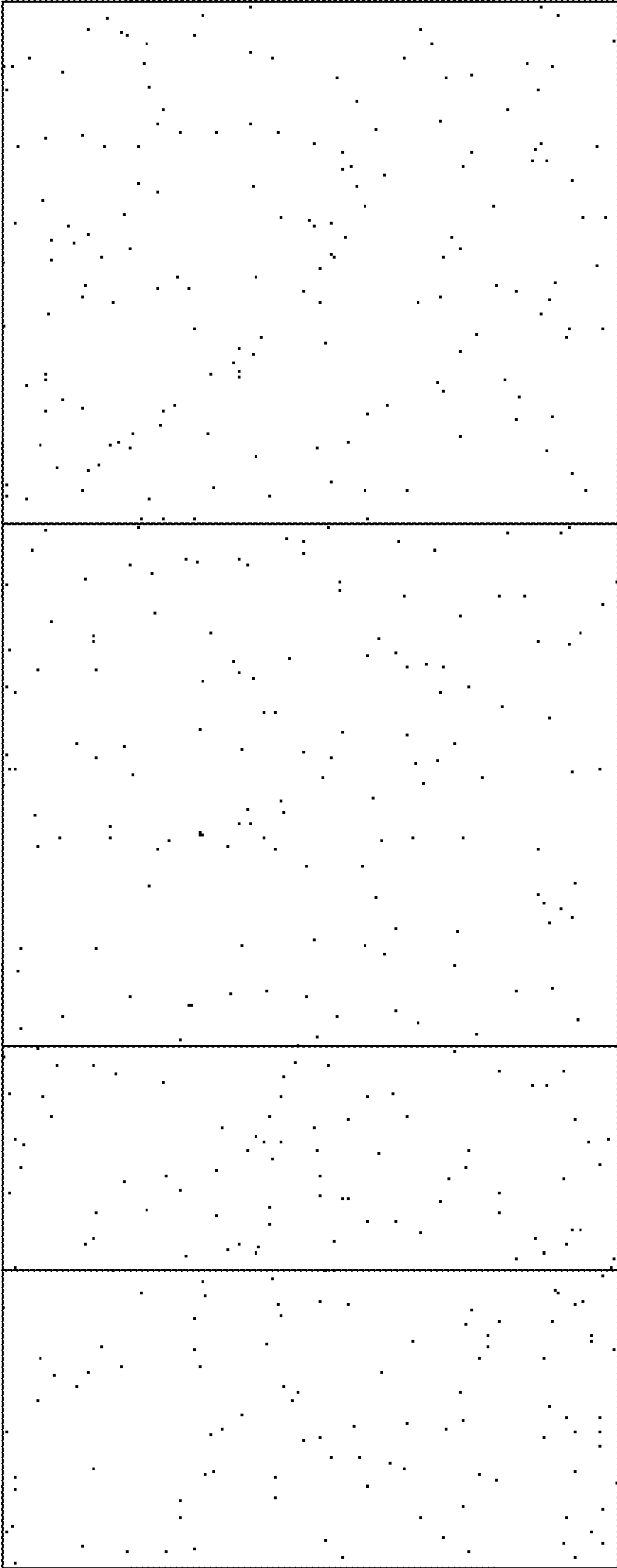


FIG. 3

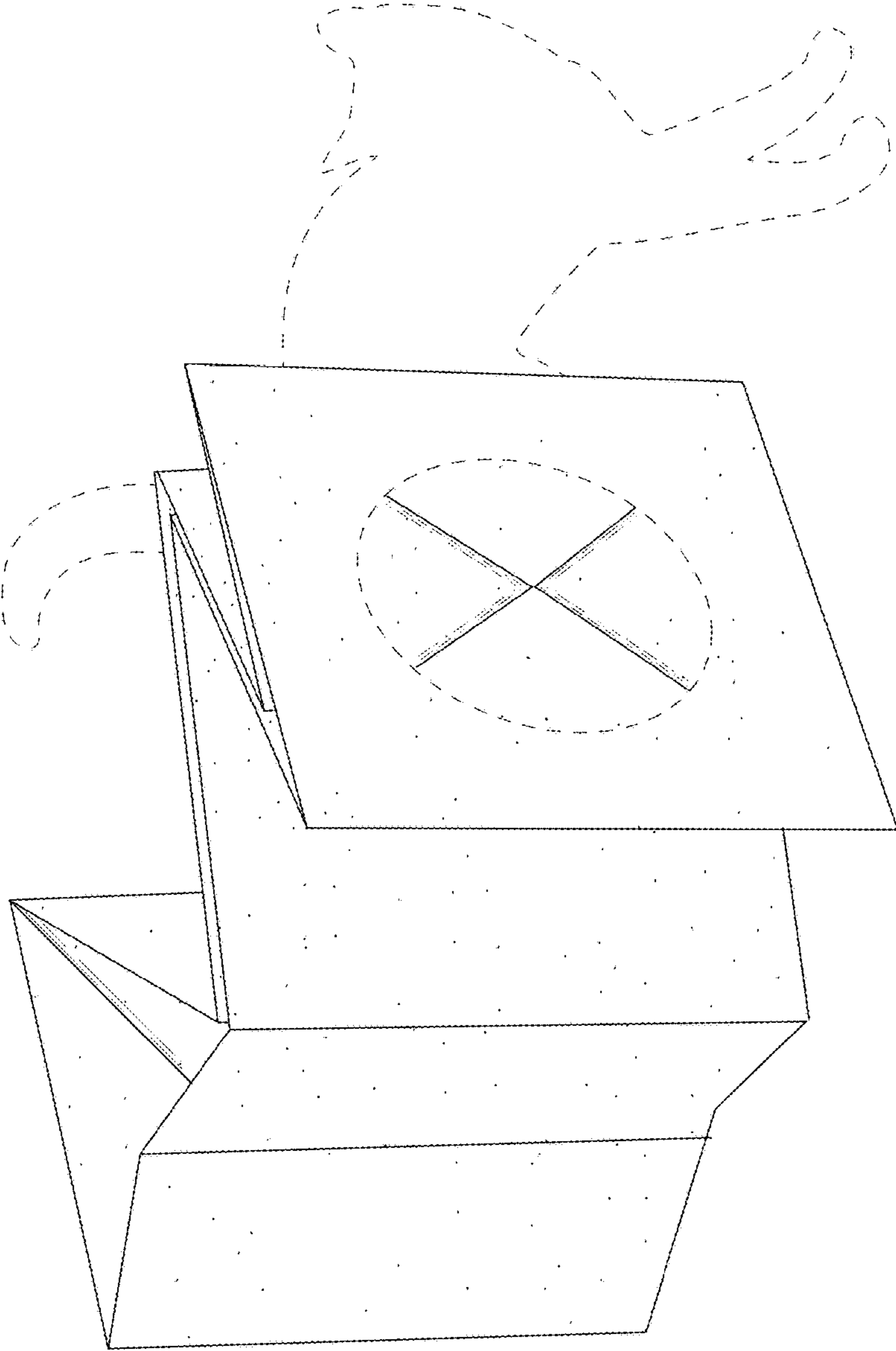


FIG. 4

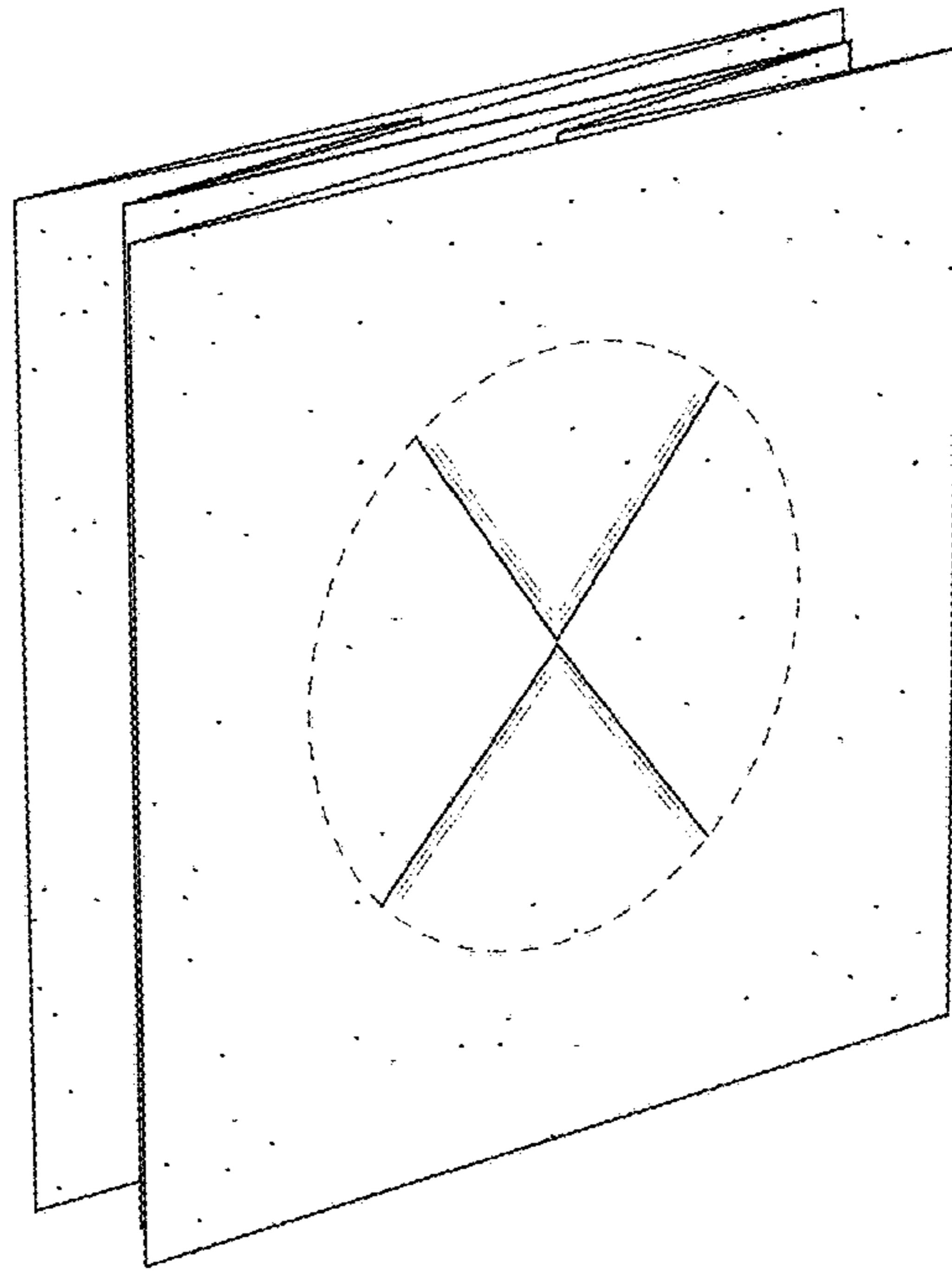


FIG. 5

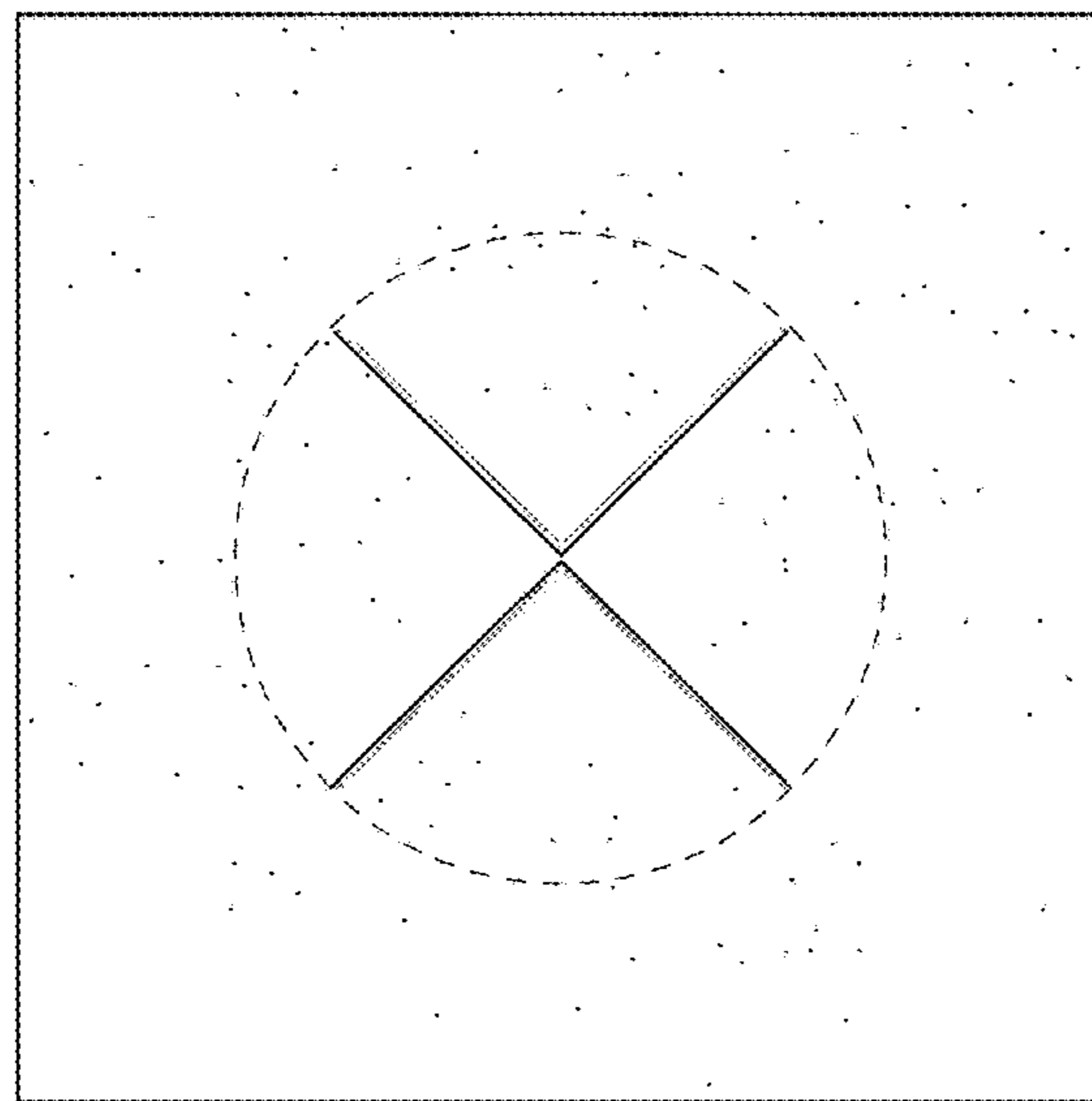


FIG. 6

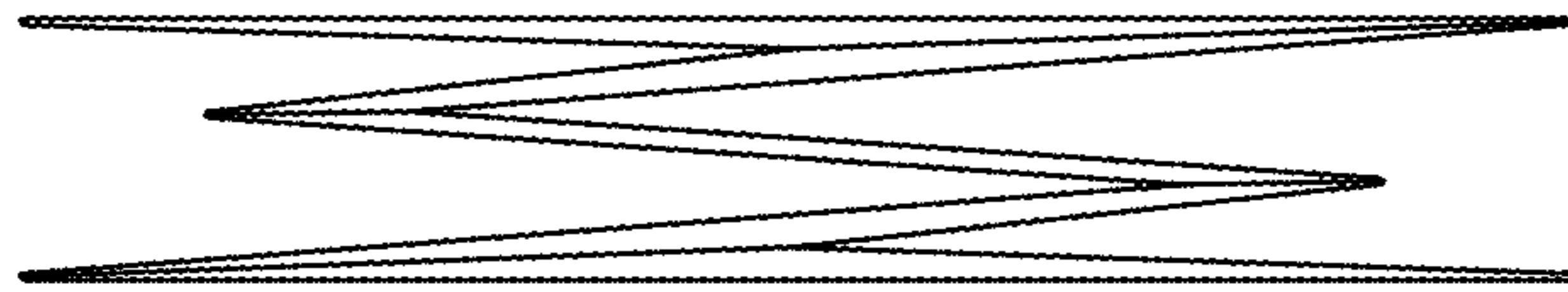


FIG. 7

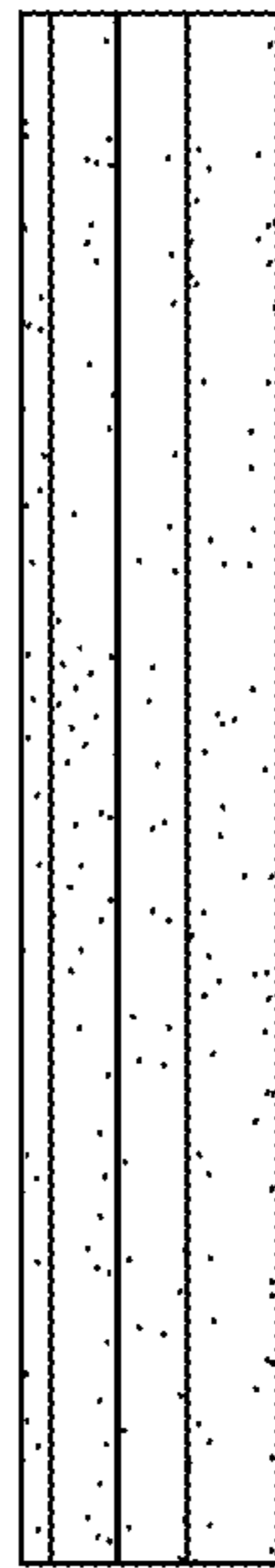


FIG. 8