



US00D830647S

(12) **United States Design Patent** (10) **Patent No.:** **US D830,647 S**  
**Le** (45) **Date of Patent:** **\*\* Oct. 9, 2018**

(54) **PET FEEDER STATION**

(71) Applicant: **Luong Hoang Le**, Bothell, WA (US)

(72) Inventor: **Luong Hoang Le**, Bothell, WA (US)

(\*\*) Term: **15 Years**

(21) Appl. No.: **29/617,158**

(22) Filed: **Sep. 12, 2017**

(51) **LOC (11) Cl.** ..... **30-03**

(52) **U.S. Cl.**  
USPC ..... **D30/133**; D30/121; D30/131; D30/130

(58) **Field of Classification Search**  
USPC ..... D30/133, 121, 128, 130, 132; 119/52.1, 119/55, 61.5, 61.6, 61.57, 61.56; D6/480-489, 708, 691.6, 656.13, 691.8, D6/495-499, 349, 429, 477, 353, 690; 248/188, 157, 188.5, 188.8, 188.9, 404, 248/226.11, 231.31; 312/204; 108/153.1-157, 144.11, 145, 146, 147.12, 108/147.21, 148, 149, 150, 151, 152, 108/157.1, 161, 147.19, 64, 136; 297/423.46, 423.44, 423.45; 5/659, 5/503.1, 505.1  
CPC ..... A01K 5/00; A01K 5/01; A01K 5/0107; A01K 5/0114; A01K 5/0121; A01K 5/0128; A01K 5/0135; A01K 7/005

See application file for complete search history.

(56) **References Cited**

U.S. PATENT DOCUMENTS

D424,759 S \* 5/2000 Sipka ..... D30/130  
D446,611 S \* 8/2001 Gunter ..... 119/51.01

\* cited by examiner

*Primary Examiner* — Susan Moon Lee  
(74) *Attorney, Agent, or Firm* — Dunlap, Bennett & Ludwig, PLLC

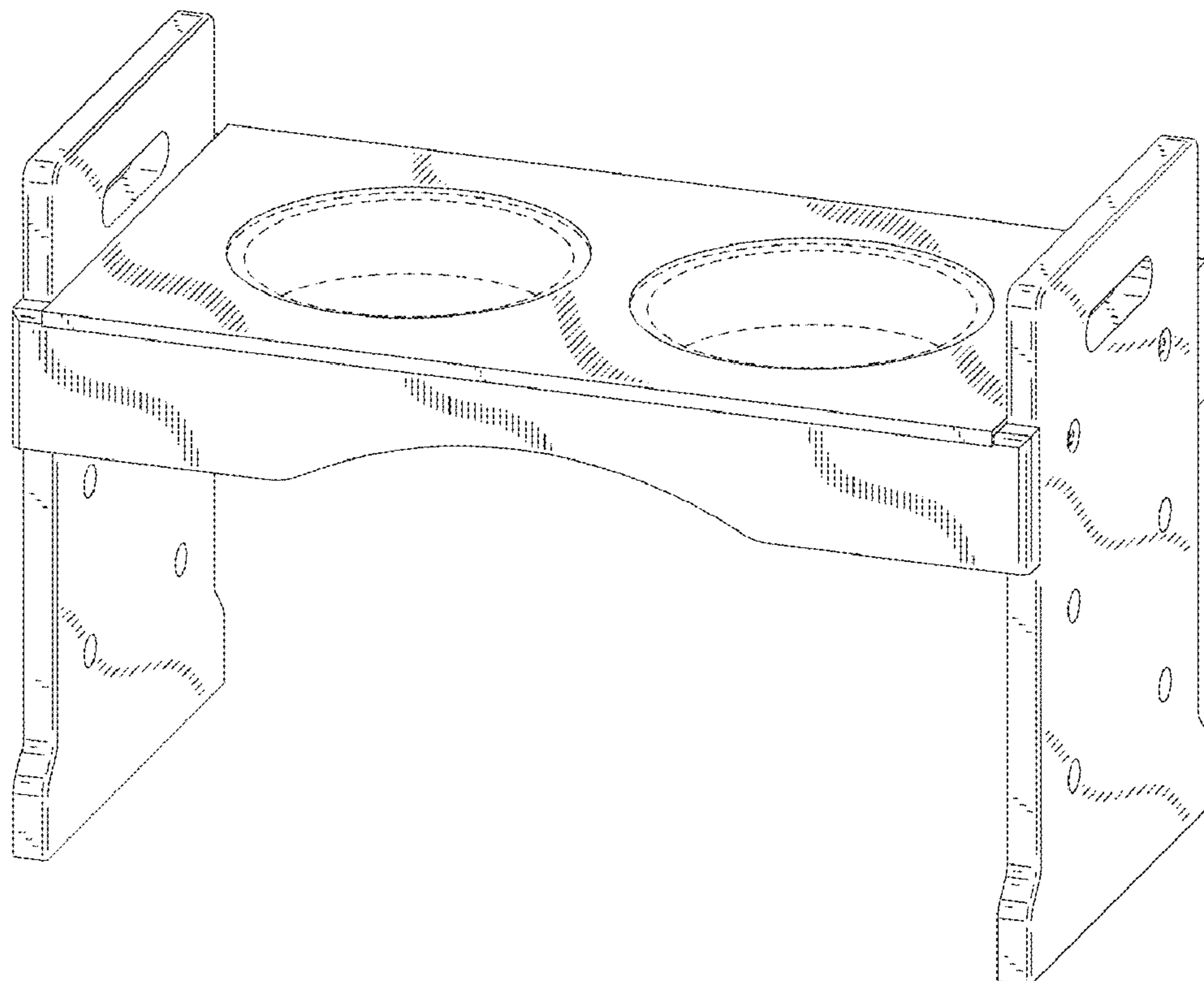
(57) **CLAIM**

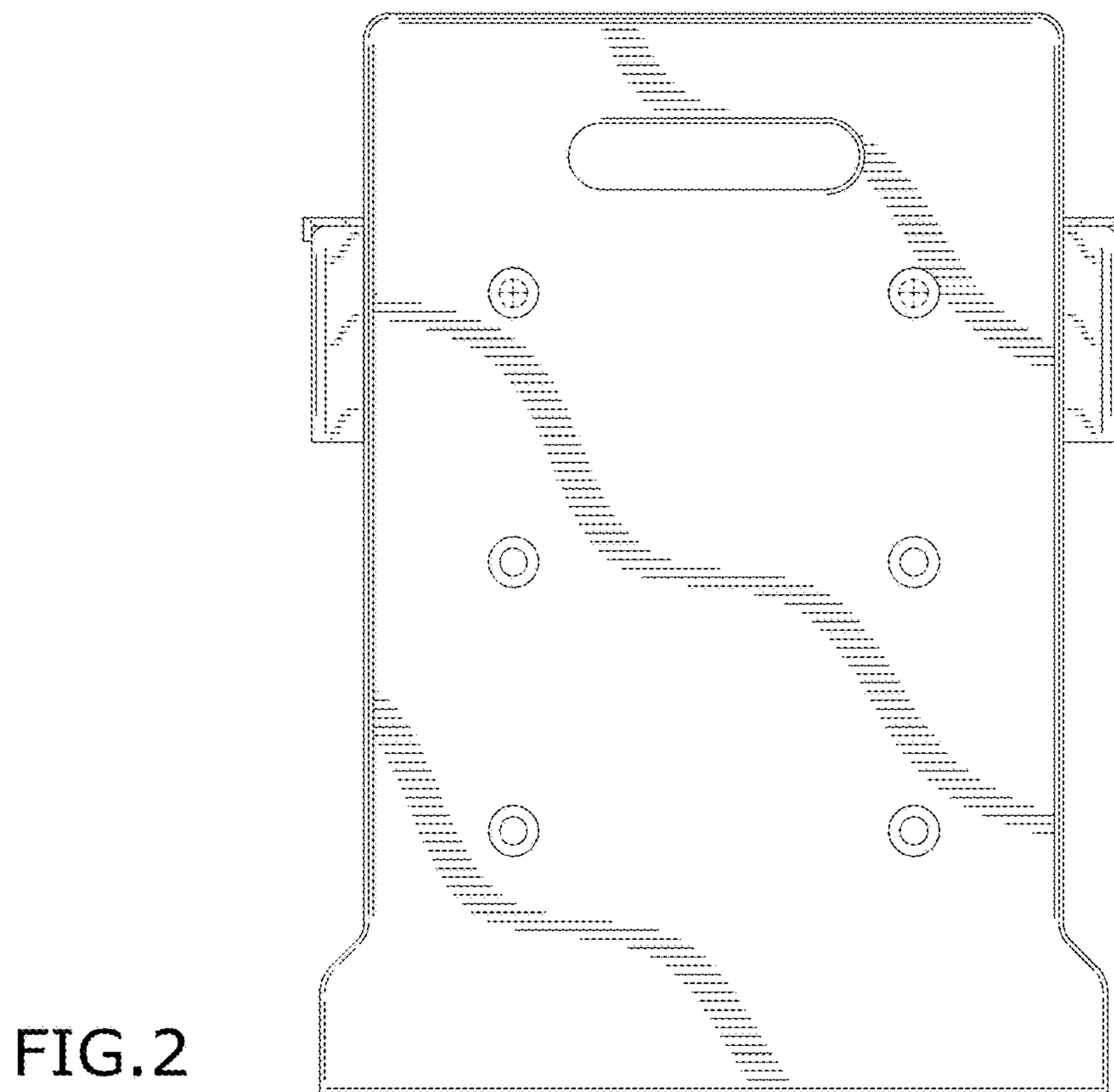
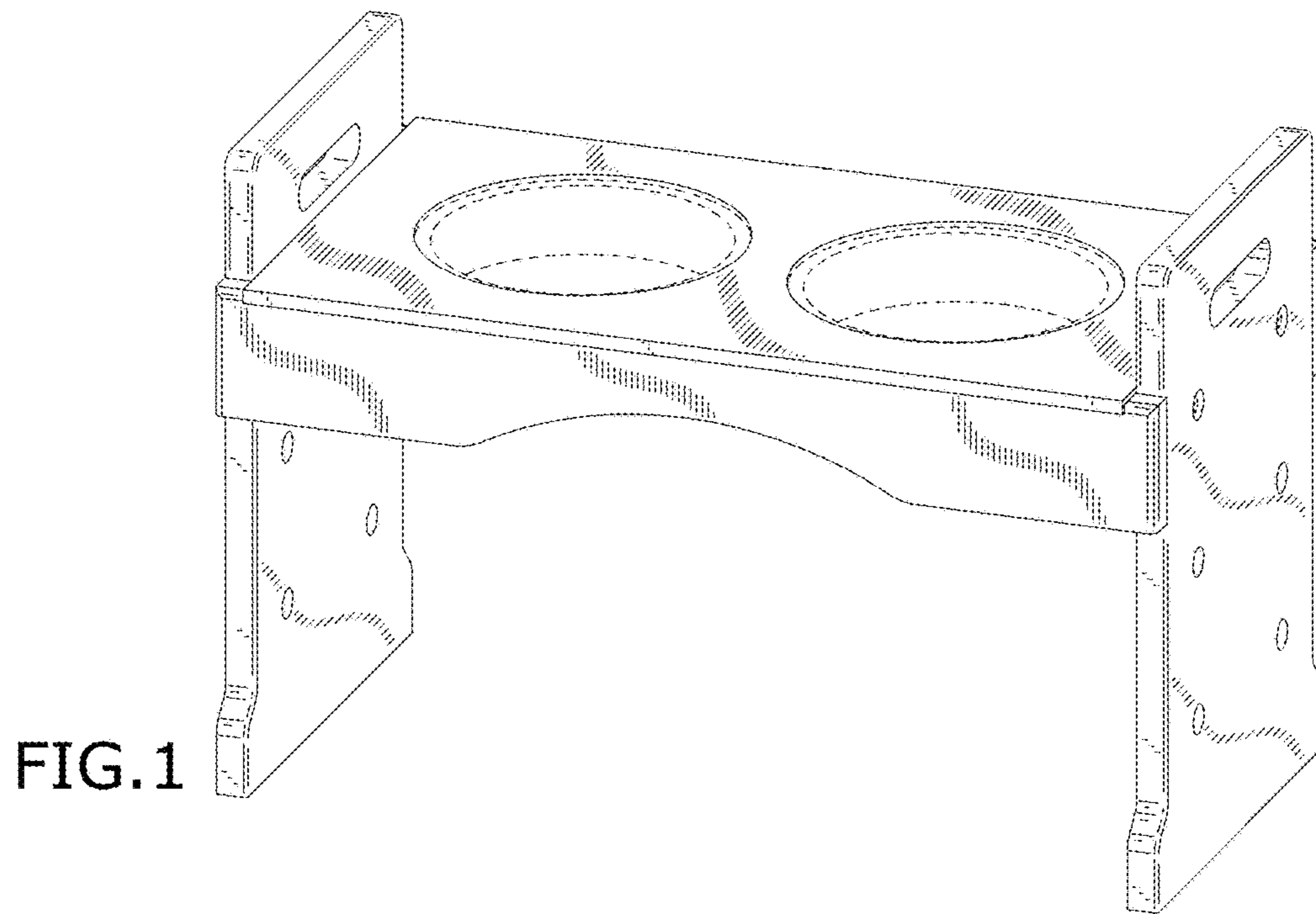
The ornamental design for a pet feeder station, as shown and described.

**DESCRIPTION**

FIG. 1 is a perspective view of a pet feeder station, showing my new design;  
FIG. 2 is a right-side elevation view thereof, the left-side elevation view being a mirror image thereof;  
FIG. 3 is a front elevation view thereof, the rear elevation view being a mirror image thereof;  
FIG. 4 is a top plan view thereof; and,  
FIG. 5 is a bottom plan view thereof.  
The broken lines consisting of evenly spaced lines in the drawings depict parts of the pet feeder station that form no part of the claimed design, while the broken lines consisting of dash-dot-dash lines in the drawings depict the boundary of the claimed invention and it is understood that the claim extends to the boundary that forms no part of the claimed design.

**1 Claim, 4 Drawing Sheets**





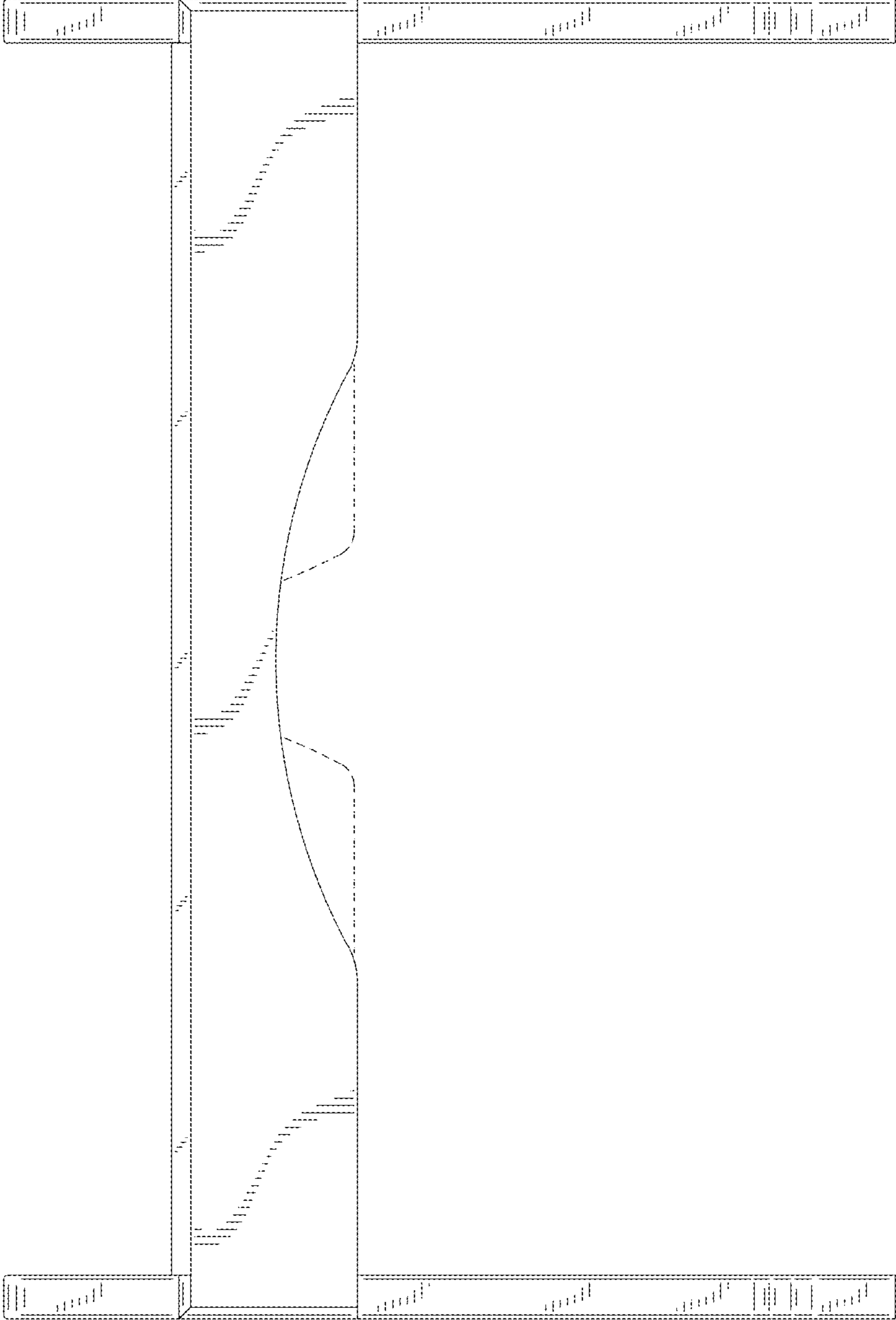


FIG.3

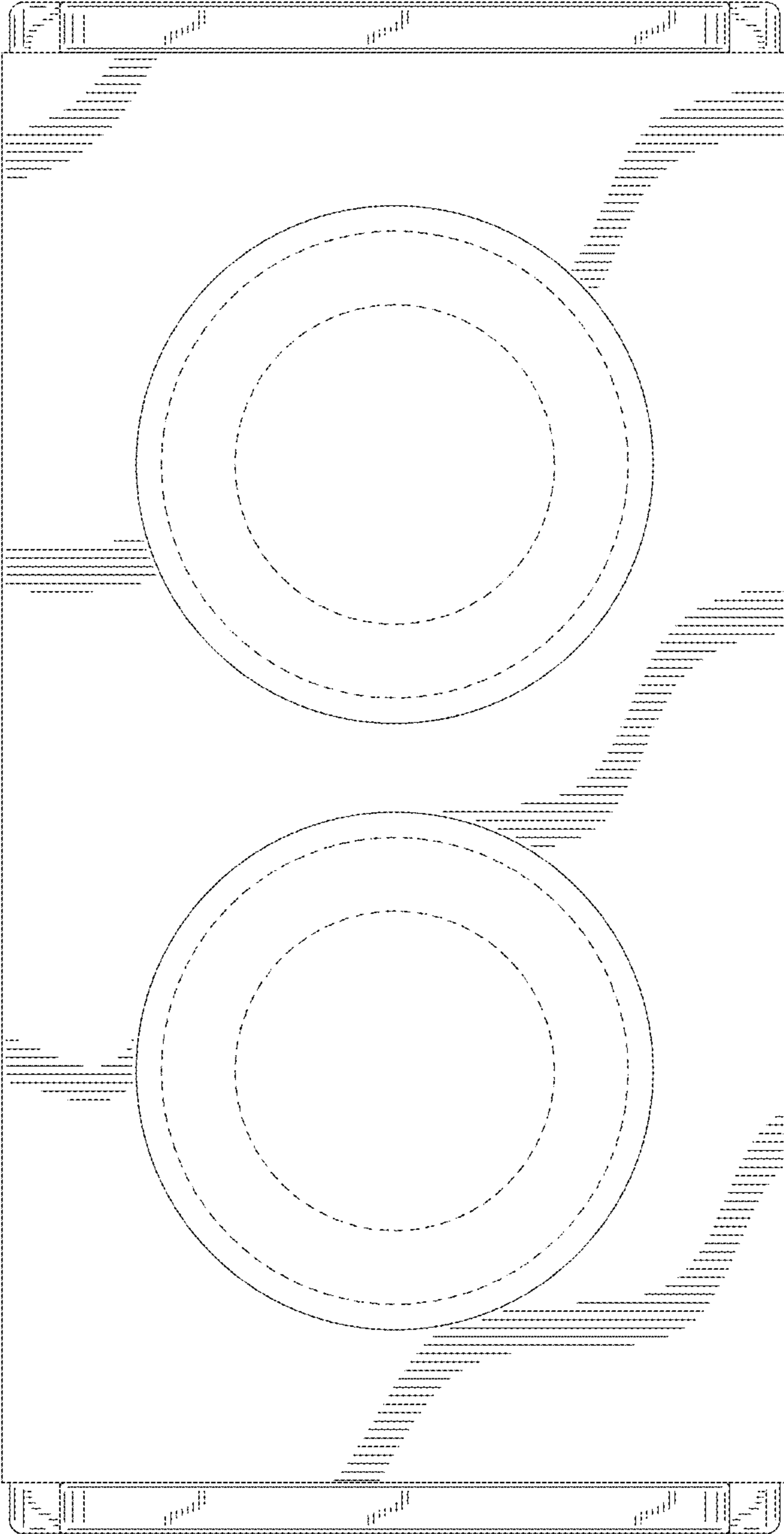


FIG.4

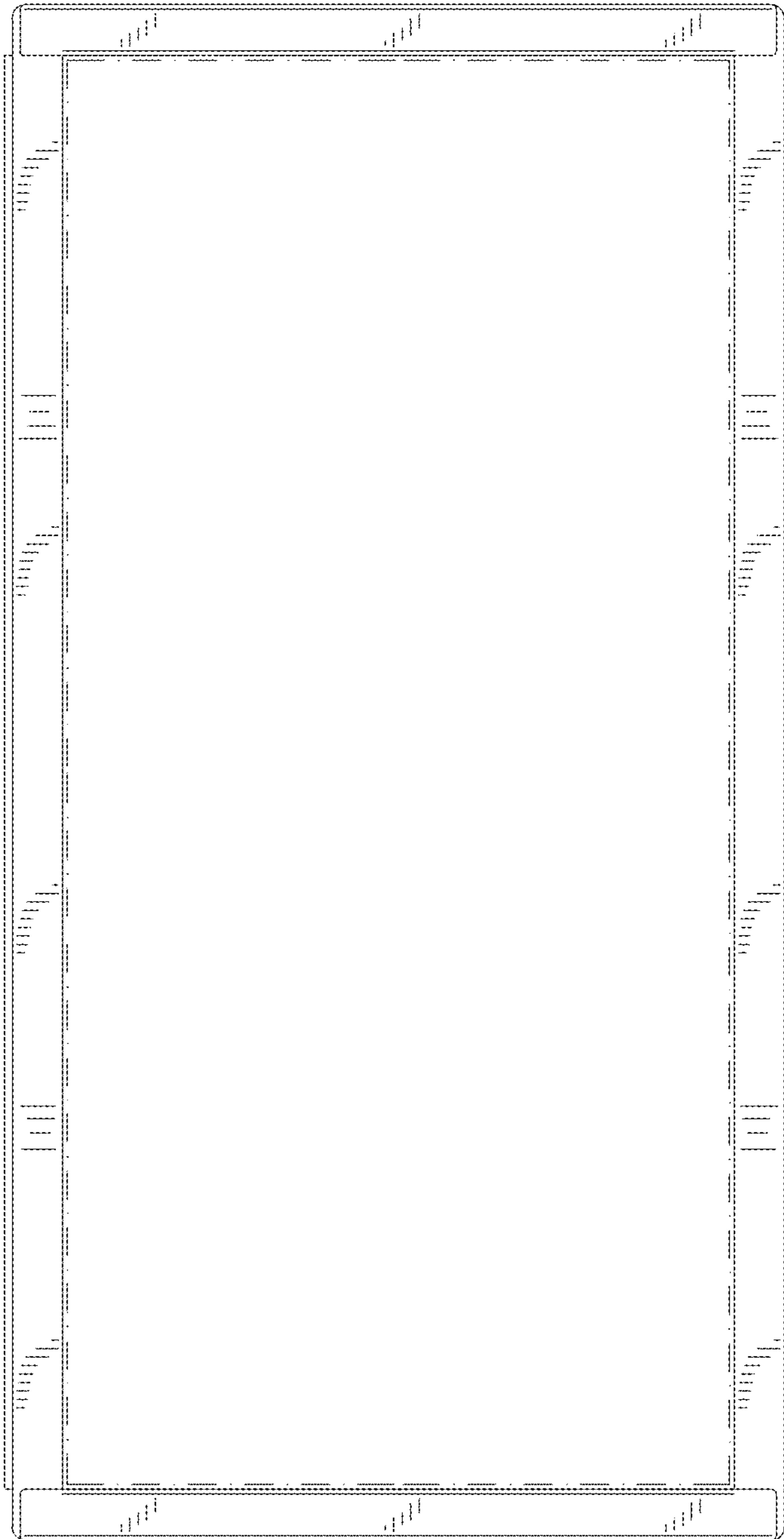


FIG. 5